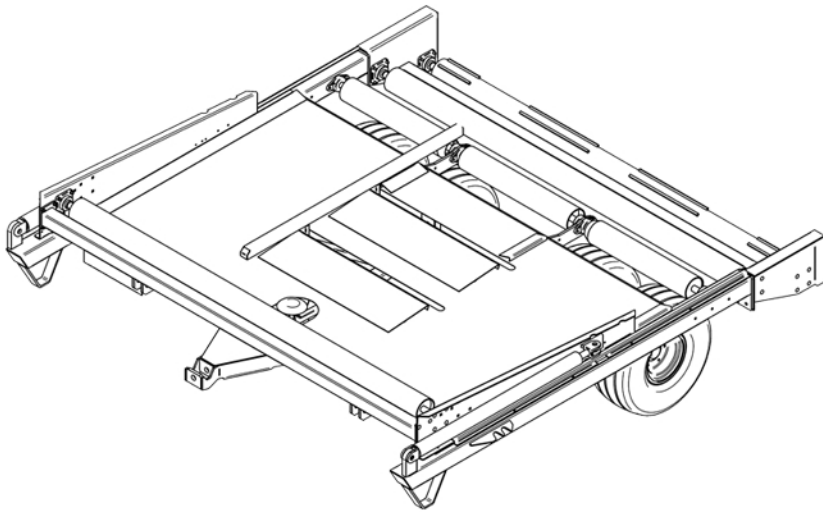


PhiBer Big Bale Accumulator



Models AC3104 & AC4104

Serial #: BA X1929 – BA X2182



www.phiber.ca

PARTS MANUAL

AC3104 Table of Contents

Overview of Machine 4 – 5

Frame Assembly 6 – 7

Push Off Assembly..... 8 – 9

Side Shift Assembly 10 – 11

Bale Switch Assembly..... 12 – 13

Caster Assembly 14 – 15

Tailpiece Assembly 16 – 17

Electronic Assembly 18 – 23

 VT..... 18 – 19

 PhiBer 20 – 21

 Scale..... 22 – 23

Hydraulic Assembly 24 – 27

 Valve 24 – 25

 Cylinder Schematic 26 – 27

Decals & Documentation 28 – 29

Recommended Parts Stock List..... 30

Notes & References..... 34

Index 64 - 65

AC4104 Table of Contents

Overview of Machine 34 – 35

Frame Assembly 36 – 37

Push Off Assembly..... 38 – 39

Side Shift Assembly 40 – 41

Bale Switch Assembly..... 42 – 43

Caster Assembly 44 – 45

Tailpiece Assembly 46 – 47

Electronic Assembly 48 – 53

 VT..... 48 – 49

 PhiBer 50 – 51

 Scale..... 52 – 53

Lights & Hazard Flashers..... 54 – 55

Hydraulic Assembly 56 – 59

 Valve 56 – 57

 Cylinder Schematic 58 – 59

Decals & Documentation 60 – 61

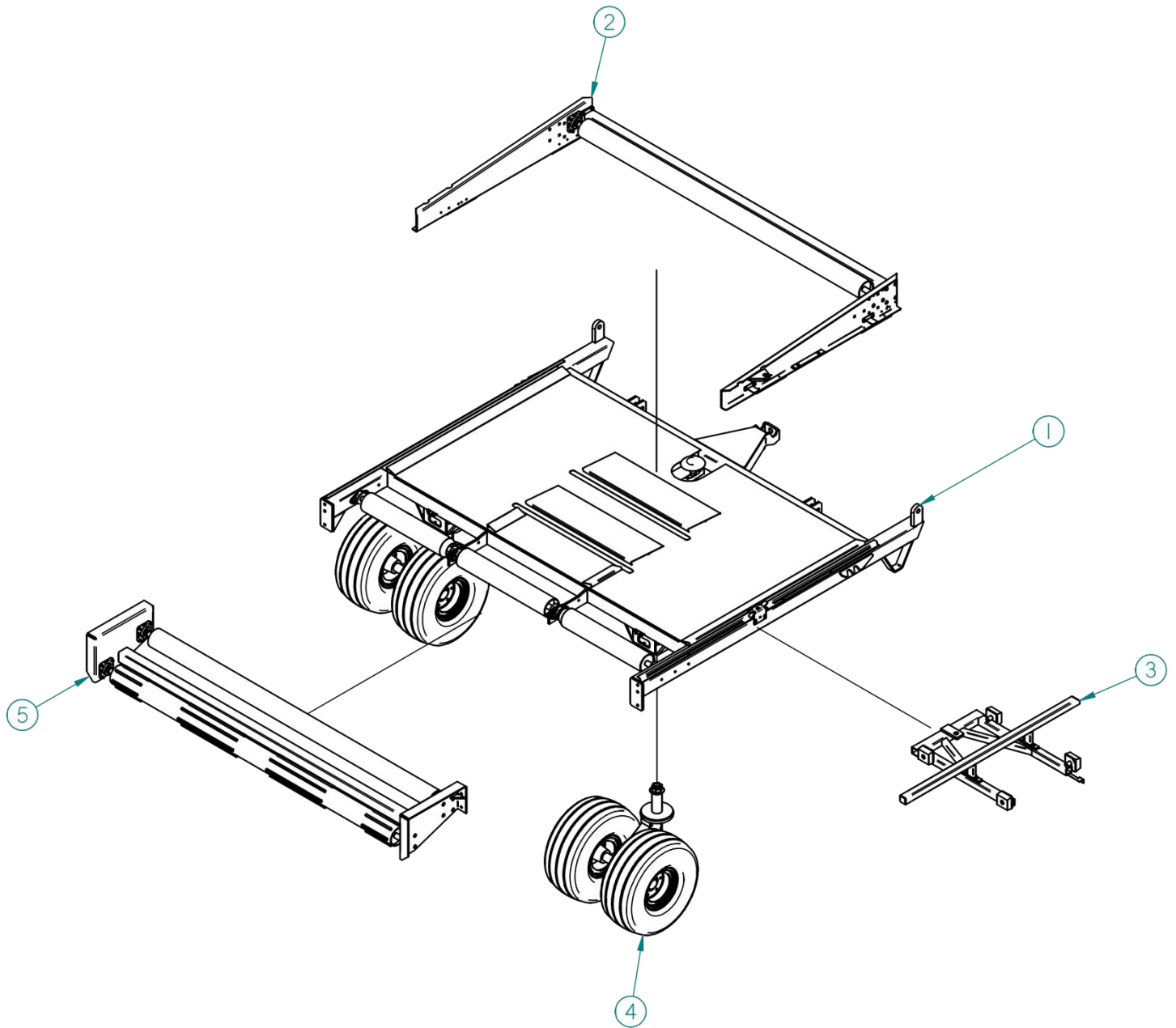
Recommended Parts Stock List..... 63

Notes & References..... 63

Index 64 – 65

AC3104

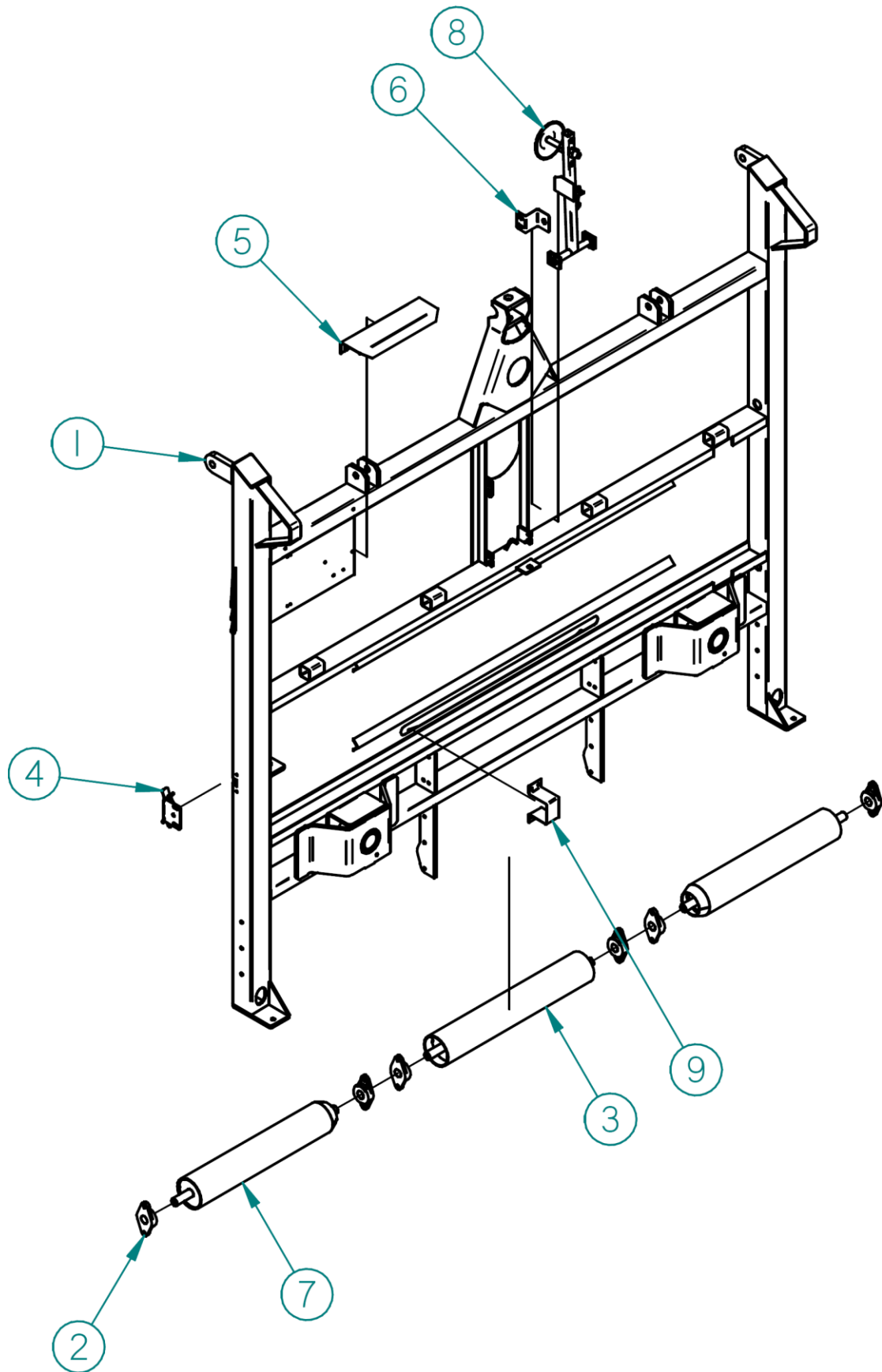
Overview of Machine



Overview of Machine

Item No.	Part No.	Description	Quantity
1		Frame Assembly – See Page 6	
2		Push Off Assembly – See Page 8	
3		Side Shift Assembly -- See Page 10	
4		Caster Assembly – See Page 14	
5		Tailpiece Assembly – See Page 16	

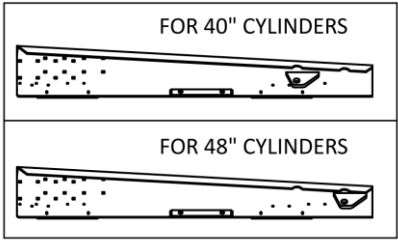
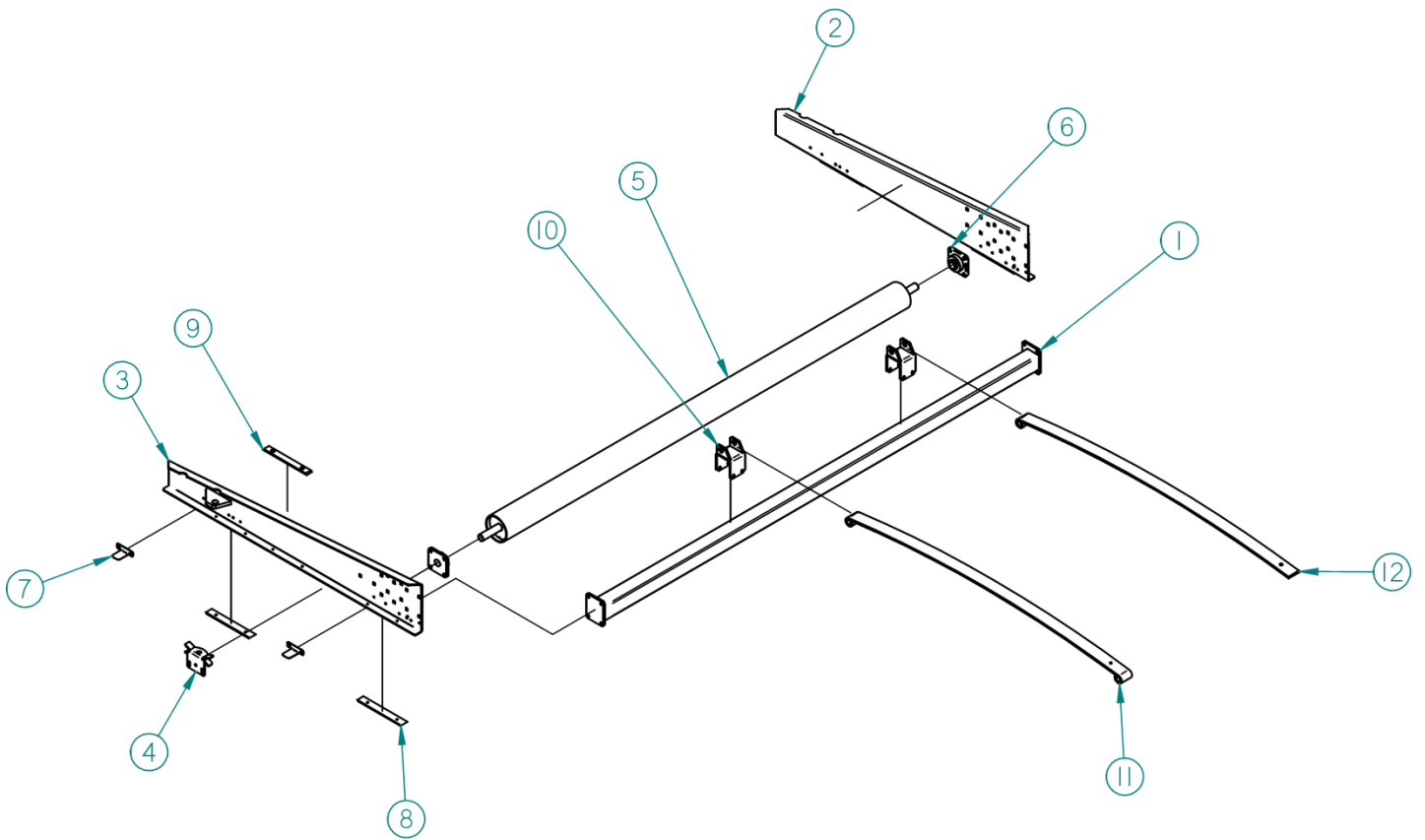
Frame Assembly



Frame Assembly

Item No.	Part No.	Description	Quantity
1	WLD-100575	Frame, AC3104	1
2	CMP-100169	Block, Flange, 2-Bolt, FL206	6
	CMP-100109	Bearing, YET 206-104	6
3	WLD-100424	Roller, Center, AC3104	1
4	WLD-100457	Bracket, Mounting, Push Off, Proximity Switch	1
5	STM-100423	Shield, Mud, Accumulator	1
6	STM-100168	Bracket, Mounting, Bale Trigger, Proximity Switch	
7	WLD-100517	Roller, Coned, AC3104	2
	WLD-100516	Roller, Balage, AC3104 (optional)	
8	ASM-100501	Assembly, Arm, Bale Switch	1
9	STM-100424	**NOT NEEDED** Support, Cylinder, Side Shift, AC4104	1
Optional	UPD-200103	ACCUMULATOR HITCH UPDATE FROM 08 TO 09 MODEL (square tube to formed)	1
Not shown	WLD-100591	AC3104 Deck cut out window frame	2

Push Off Assembly

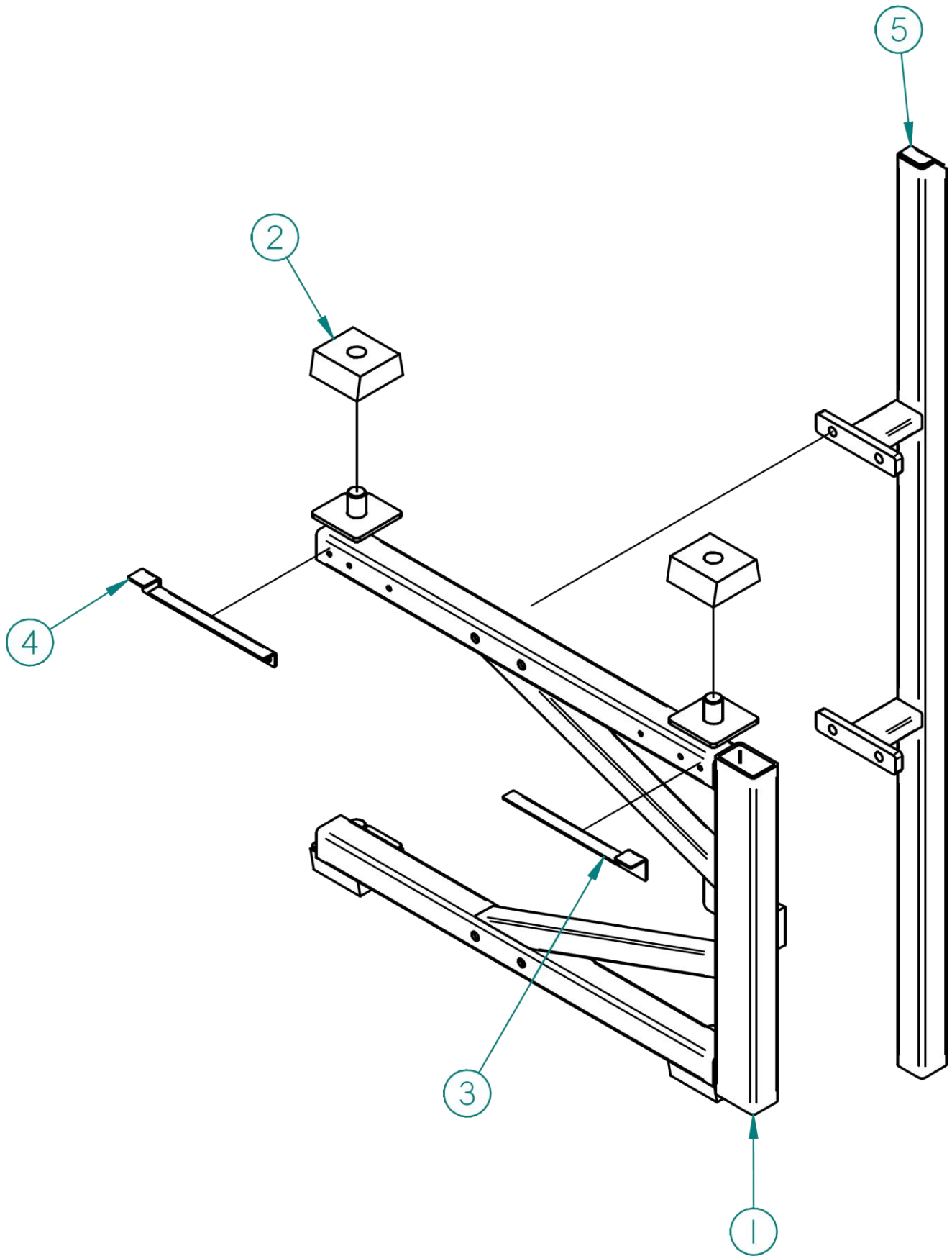


PUSH-OFF ASSEMBLY 48" ASM-100425
USED IN BALAGE AND EXPORT

Push Off Assembly

ITEM	PART NO.	DESCRIPTION	QTY
1	WLD-100412	Bar, Stabilizer, Push Off, AC3104	1
2	ASM-100414	Plate, Side, Push Off, LH	1
See inset	ASM-100415	Plate, Side, Push Off, RH -- for 48" Cylinders	
3	ASM-100417	Plate, Side, Push Off, RH	1
See Inset	ASM-100419	Plate, Side, Push Off, LH -- for 48" Cylinders	
4	WLD-100457	Bracket, Mounting, Push Off, Proximity Switch	1
5	WLD-100420	Roller, Push Off, AC3104	1
6	CMP-100106	Block, Flange, 4-Bolt, F206	2
	CMP-100109	Bearing, YET 206-104	2
7	PCT-100421	Trigger, Push Off Proximity Switch	2
	STM-100430	Trigger, Push Off ZCK lever Switch	2
8	CMP-100147*	Strip, Slide, Plastic, Bottom	4
9	CMP-100148*	Strip, Slide, Plastic, Top	2
	FST-100228*	Rivet, Pop, Steel	12
	*	included with items 2 & 3	
10	WLD-100523	Bracket, Support, Bale Spring	2
11	CMP-100170	Spring, Bale Support, Double Eye, 64"	2
12	CMP-100192	Spring, Bale Support, Single Eye, 64"	2
	CMP-100182	Spring, Bale Support, Double Eye, 72"	
	CMP-100225	Spring, Bale Support, Single Eye, 72"	

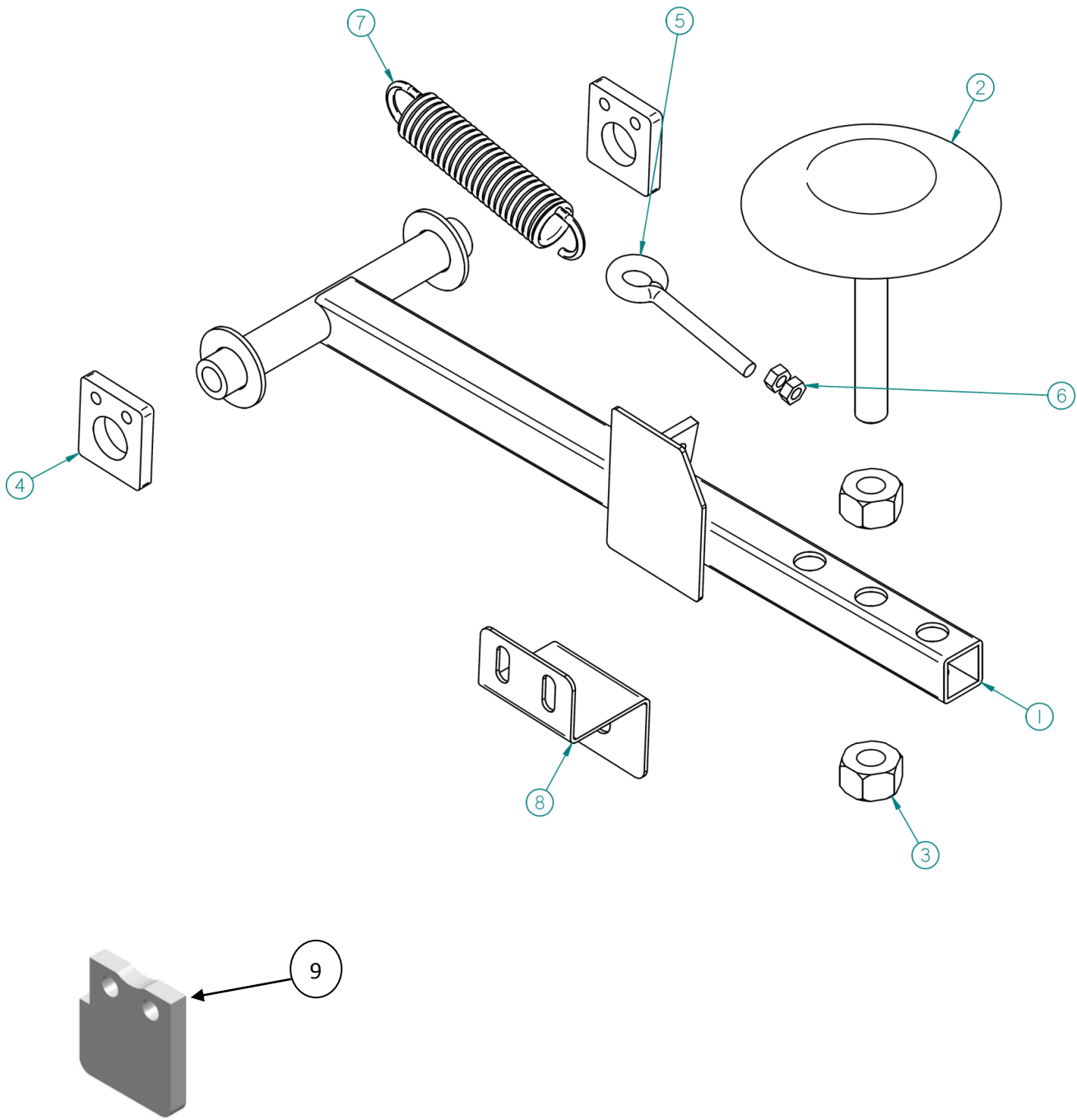
Side Shift Assembly



Side Shift Assembly

Item No.	Part No.	Description	Quantity
1	WLD-100401	Truck, Side Shift	1
2	SAW-100411	Block, Slide, Plastic, Side Shift	4
	CMP-100766	Shim for Side shift slide	max 8
3	STM-100564	Trigger, Side Shift, LH, AC3104	1
4	STM-100565	Trigger, Side Shift, RH, AC3104	1
5	WLD-100513	Bar, Side Shift	1
	FST-100263	5/16" X 1" Tread Cutting Flange Bolt	4
	FST-100193	1/2 x 3" CAP SCREW gr 5	4
	FST-100356	1/2" CRIMP NUT	4
	ASM-100420	Assembly, Side Shift, Complete, AC3104 <i>Includes items 1-4</i>	

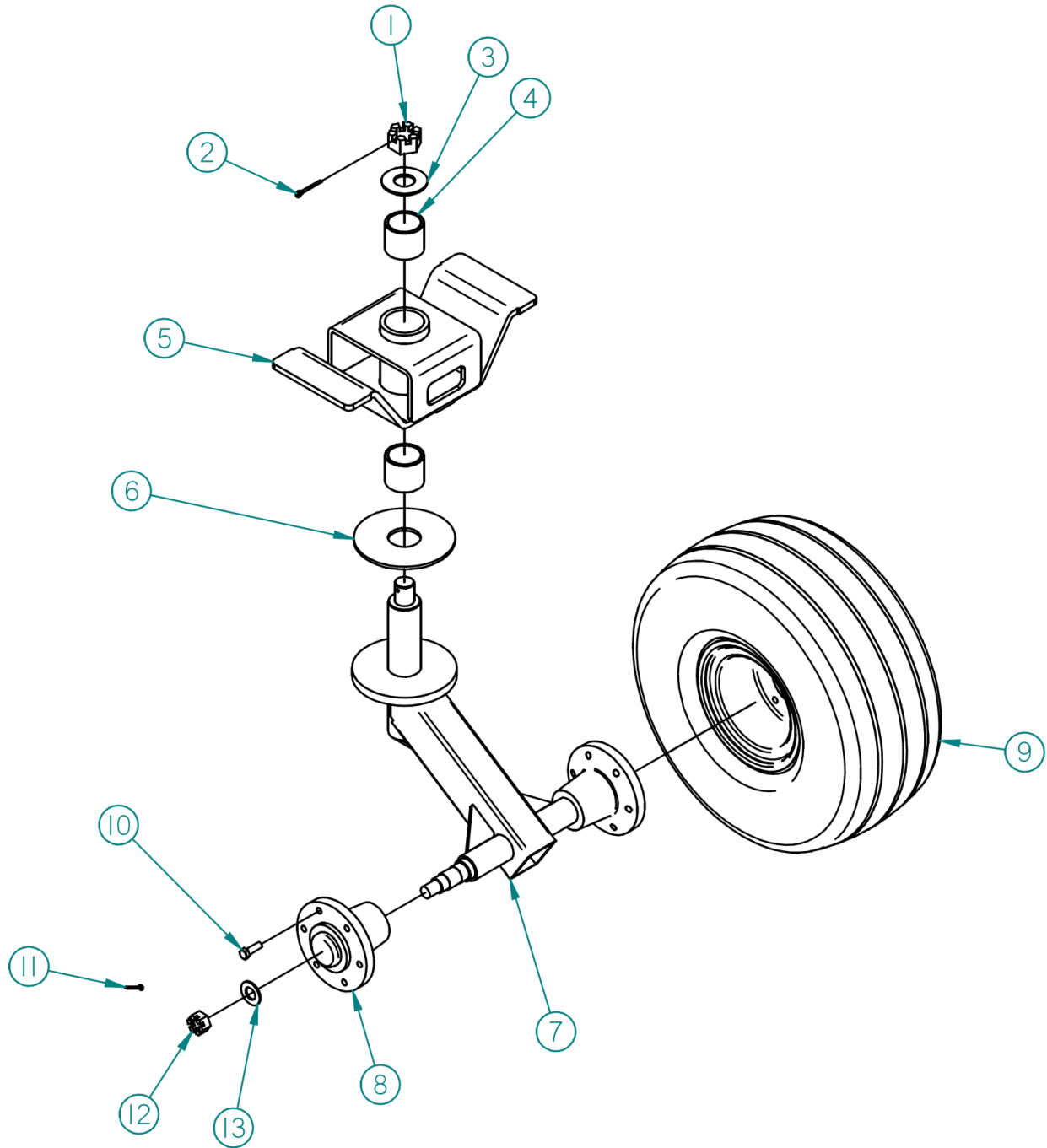
Bale Switch Assembly



Bale Switch Assembly

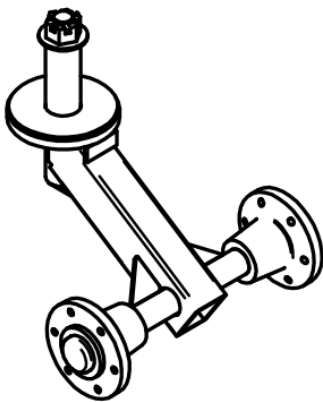
Item No.	Part No.	Description	Quantity
1	WLD-100501	Arm, Bale Switch	1
2	WLD-100502	Button, Bale Switch	1
3	FST-100117	Nut, 3/8"	2
4	SAW-100578	Lug, Mounting, Arm, Bale Switch	2
5	FST-100226	Bolt, Eye, 3/8" x 3"	1
6	FST-100148	Nut, 3/8"	2
7	CMP-100145	Spring, Extension, Arm, Bale Switch	1
8	STM-100168	Bracket, Mounting, Bale Trigger, Proximity Switch	1
9	PCT-100412	Weldon Bale Button Mount	2
Not shown	ELC-100178	Proximity Switch	1
	ASM-100501	Assembly, Arm, Bale Switch <i>Includes items 1-7</i>	

Caster Assembly

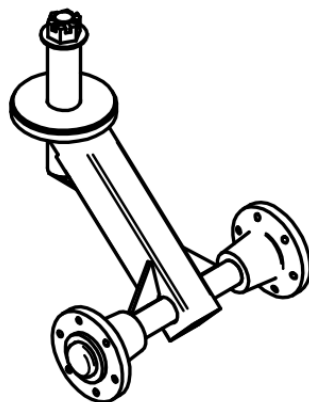


Caster Assembly

Item No.	Part No.	Description	Quantity
1	FST-100312	Nut, Castle, UNF, 1 ½"	2
2	FST-100314	Pin, Cotter, ¼" x 2"	2
3	FST-100313	Washer, Hardened, 1 ½"	2
4	CMP-100194	Bushing, Block, Caster	4
5	WLD-100528	Block, Caster, Gen III	2
6	PCT-100407	Washer, Plastic, Caster	2
7	WLD-100527	Arm, Caster, Short, Gen III	2
	WLD-100539	Arm, Caster, Tall, Gen III	
8	CMP-100144	Hub, Assembly, HA611	4
	CMP-100264	Bearing, Outer, Hub, HA611, LM67048	
	CMP-100265	Bearing, Inner, Hub, HA611, LM29749	
	CMP-100266	Race, Outer Cup, Hub, HA611, LM67010	
	CMP-100267	Race, Inner Cup, Hub, HA611, LM29710	
	CMP-100268	Cap, Dust, Hub, HA611, DC13	
	CMP-100269	Seal, Grease, Hub, HA611, SE13	
	FST-100123	Bolt, Wheel, UNF, ½" x 1 ¼"	
9	CMP-100151	Assembly, Tire & Wheel, 4-Ply	4
	CMP-100224	Tire, 4-Ply	
	CMP-100223	Wheel, 6-Bolt, Light Duty	
9	CMP-100247	Assembly, Tire & Wheel, 10-Ply	
	CMP-100244	Tire, 10-Ply	
	CMP-100248	Wheel, 6-Bolt, Heavy Duty	
10	FST-100123	Bolt, Wheel, UNF, ½" x 1 ¼"	24
11	FST-100127	Pin, Cotter, 3/16" x 1 ½"	4
12	FST-100330	Nut, Castle, 1"	4
13	FST-100262	Washer, Flat, Hardened, 1"	4
	ASM-100527	Assembly, Caster Arm, Short, Gen III Includes items 1-3, 6-8, 10, 11	
	ASM-100528	Assembly, Caster Arm, Tall, Gen III Includes items 1-3, 6-8, 10, 11	

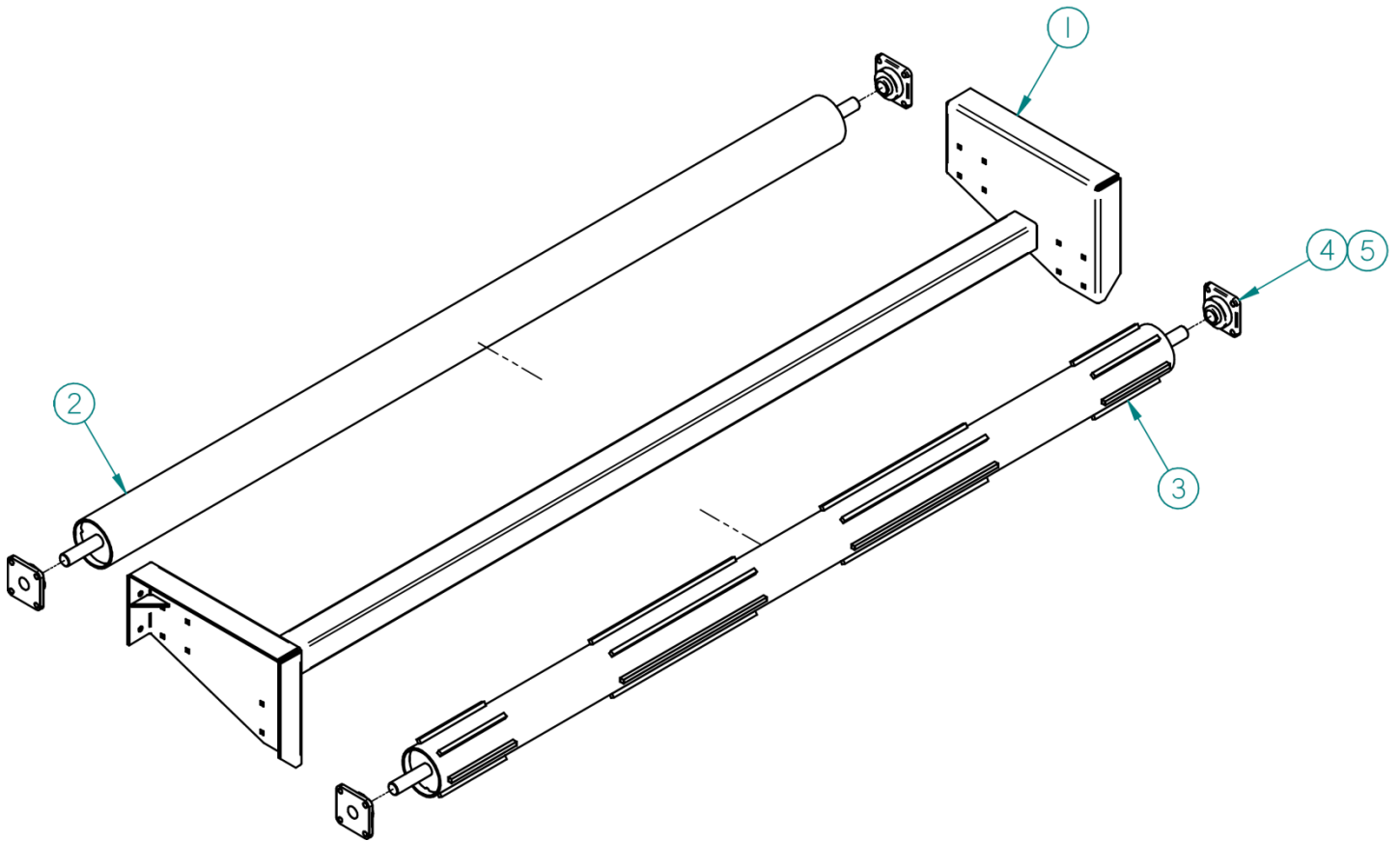


Short Caster
ASM-100527
WLD-100527



Tall Caster
ASM-100528
WLD-100539

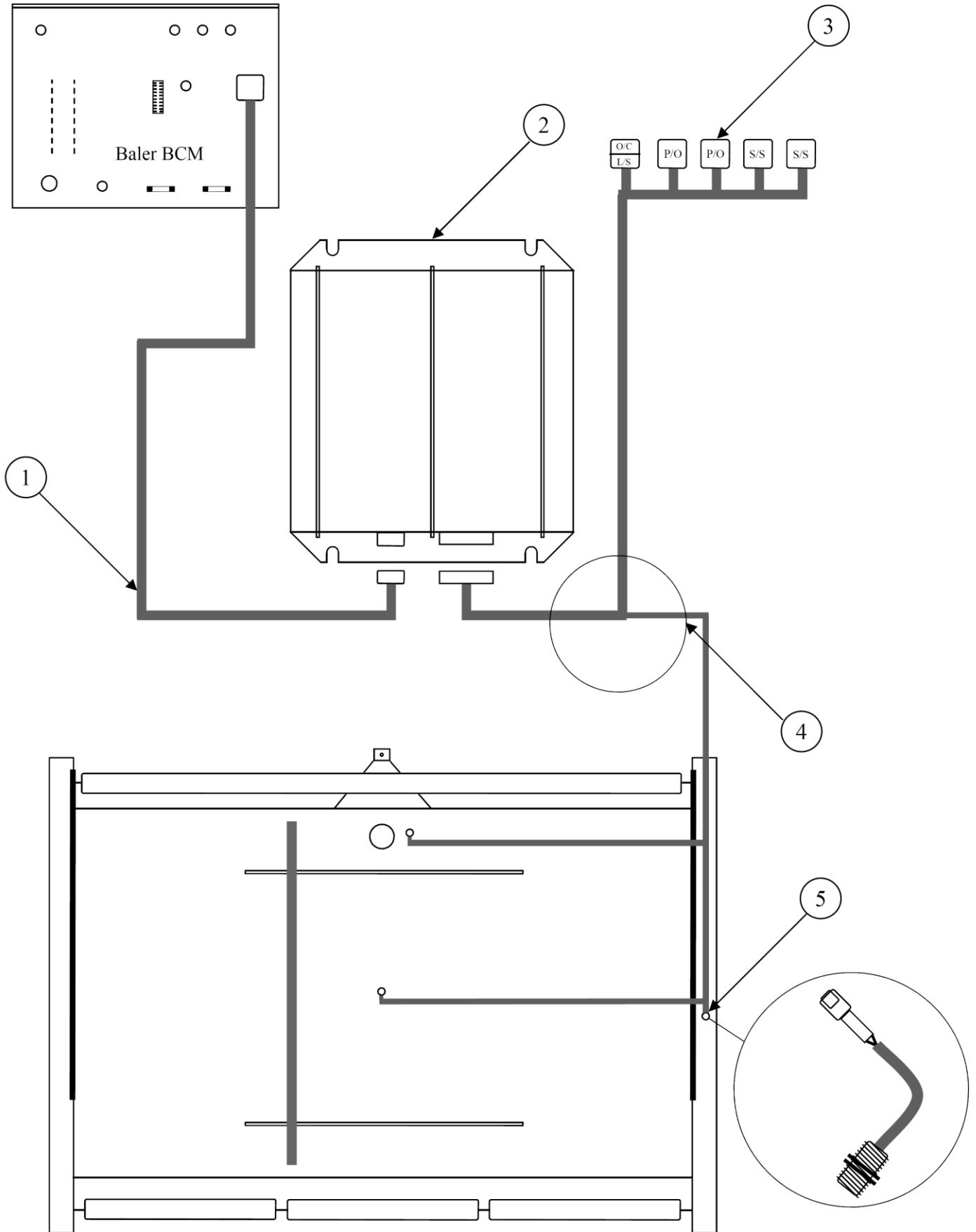
Tailpiece Assembly



Tailpiece Assembly

Item No.	Part No.	Description	Quantity
1	WLD-100426	Frame, Tailpiece, AC3104	1
2	WLD-100420	Roller, Smooth, Tailpiece, AC3104	1
3	WLD-100425	Roller, Ribbed, Tailpiece, AC3104	1
4	CMP-100106	Block, Flange, 4-Bolt, F206	4
5	CMP-100109	Bearing, YET 206-104	4
	FST-100146	3/8" x 1 1/4" Carriage Bolt	16
	FST-100206	3/8" Locknut	16
Not Shown	CMP-100115	Decal, Strip, Conspicuity, Red	4
Not Shown	CMP-100119	Decal, "Caution Stand Clear When Machine in Operation"	2
	ASM-100409	Assembly, Tailpiece, AC3104 <i>Includes items listed above</i>	
Optional	KIT-100461	Tailpiece Wedge Kit	1

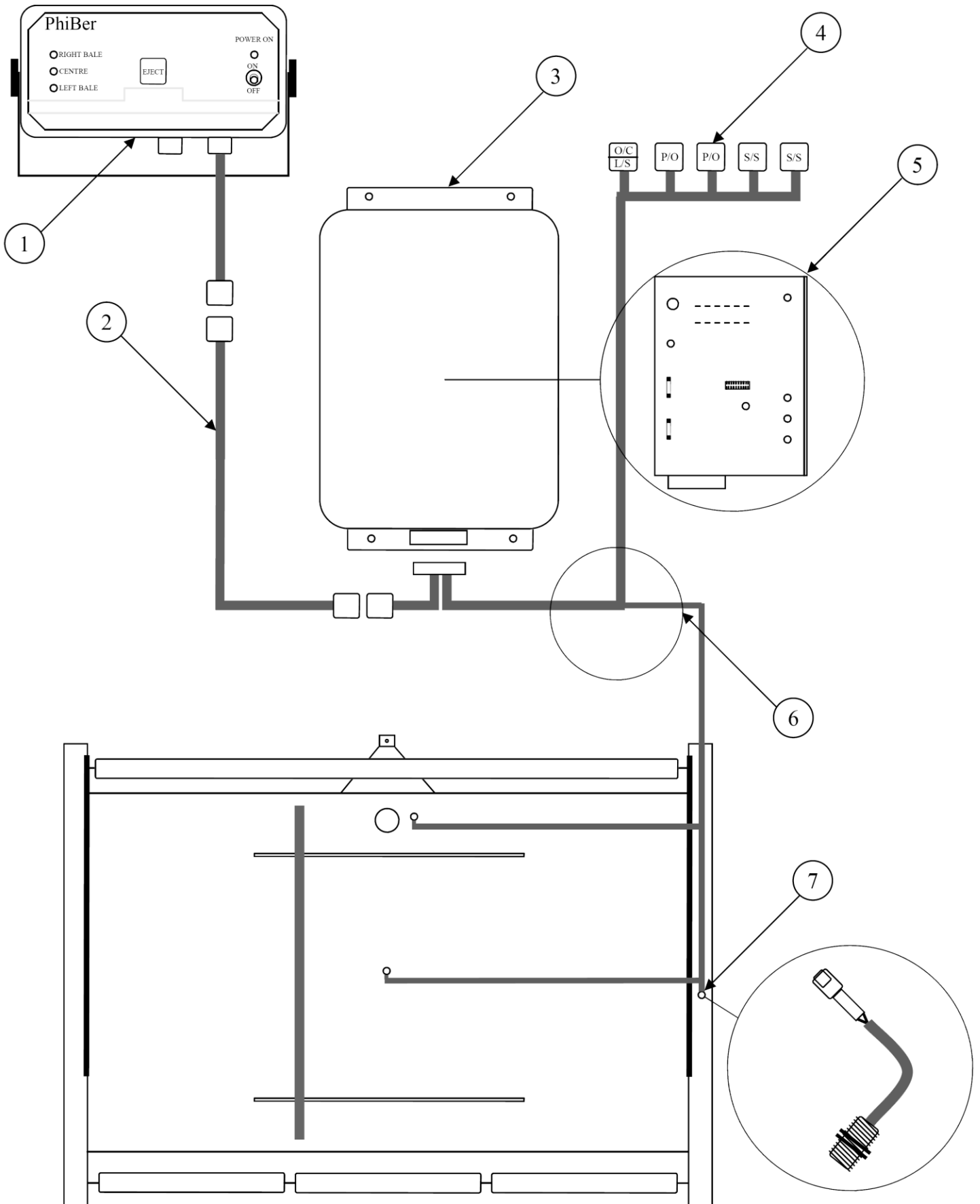
Electronic Assembly: VT



Electronic Assembly: VT

Item No.	Part No.	Description	Quantity
1	ELC-100257	Cable, Extension, Twisted Quad, 40 ft	1
2	ELC-100244	Controller, VT, CNH	1
3	ELC-100234	Plug, Indicator, LED	5
4	ELC-100283	Wire Harness 4 pin trailer plug, VT, AC3104 / 4104 pre BAx2100	1
	ELC-100273	Wire Harness 4 pin Deutsch, AC 3104 / 4104 aft Bax2119	
		Bax2100 to 2119 phone PhiBer Parts Dept for more info. 204.873.2448	
5	ELC-100178	Proximity Switch w/ nut & lock washer	3
	ELC-100284	Proximity Switch nut & lock washer only	6

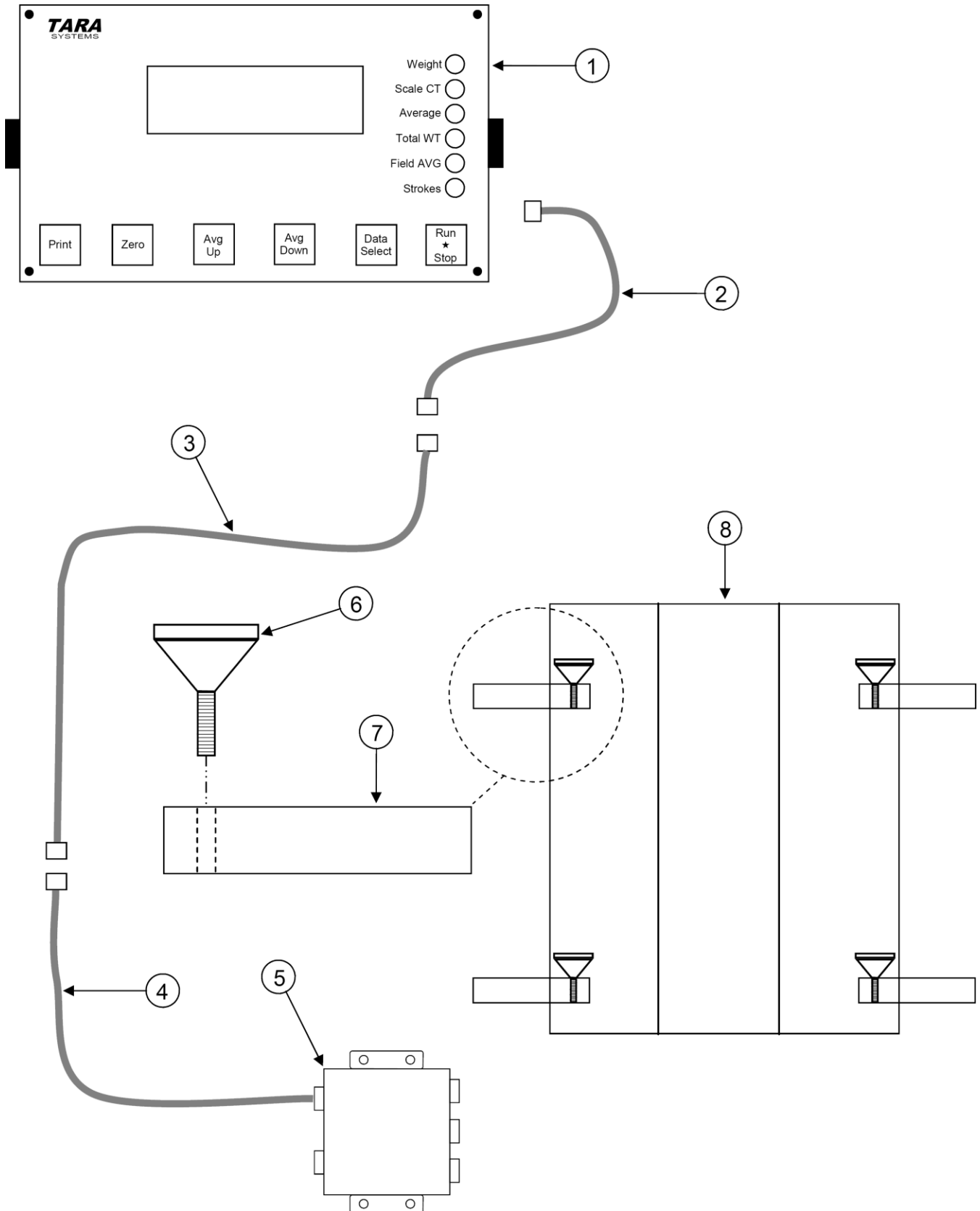
Electronic Assembly: PhiBer



Electronic Assembly: PhiBer

Item No.	Part No.	Description	Quantity
1	ELC-100169	Cab Monitor, Accumulator	1
	CMP-100247	Cab Monitor Decal AC3104 / 4104	1
	ELC-100235	Fuse, 8 amp. Cab Monitor	1
2	ELC-100174	Cable, Extension, 33'	1
	ELC-100276	Cable, Extension, 38'	
3	ELC-100260	Assembly, Controller, PhiBer	1
	ELC-100145	Controller Lid only	1
4	ELC-100234	Plug, Indicator, LED	5
5	ELC-100193	Circuit Board, R4	1
	ELC-100118	Circuit Board Pic Chip (v4.03-3)	1
6	ELC-100272	Harness, Wire, PhiBer, AC3104 / 4104	1
7	ELC-100178	Proximity Switch w/ nut & lock washer	3
	ELC-100284	Proximity Switch nut & lock washer only	6

Electronic Assembly: Scale



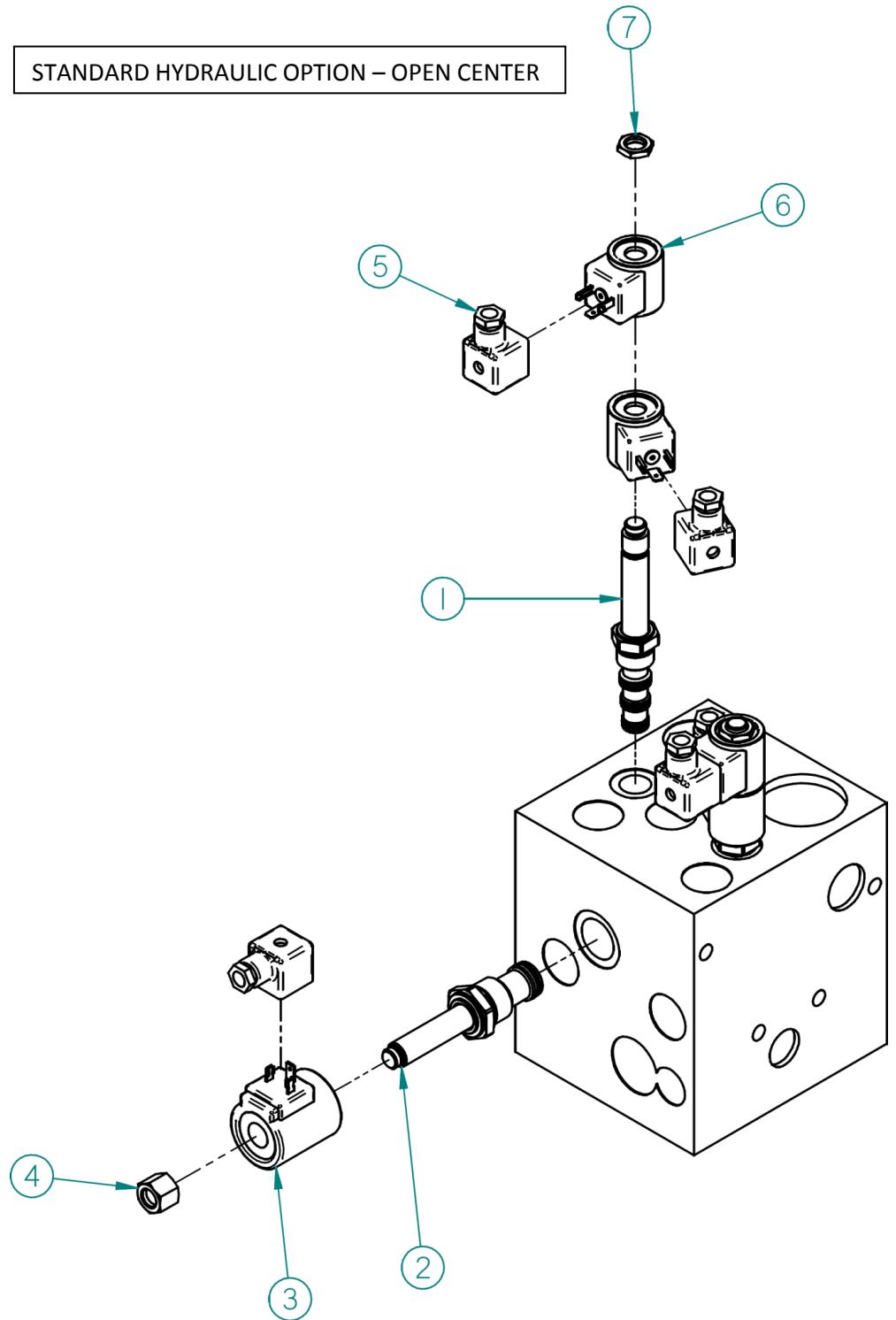
Electronic Assembly: Scale

Item No.	Part No.	Description	Quantity
1	ELC-100288	Monitor, Bale Scale	1
2	ELC-100295	Cable, 10' (Monitor to Extension Cable)	1
3	ELC-100296	Cable, Extension, 35'	1
4	ELC-100297	Cable, Connector, 10' (Extension Cable to JBOX)	1
5	ELC-100289	J-Box, Bale Scale	1
6	ELC-100278	Feet, Load Cell, Bale Scale	4
7	ELC-100287	Loadcell, Beam, Bale Scale	4
8	WLD-100540	Deck, Bale Scale, AC3104	1
Not Shown	PCT-100453	Bracket, Mounting, Monitor, Bale Scale	1
Not Shown	ELC-100309	Knob, Retaining, Monitor, Bale Scale	2

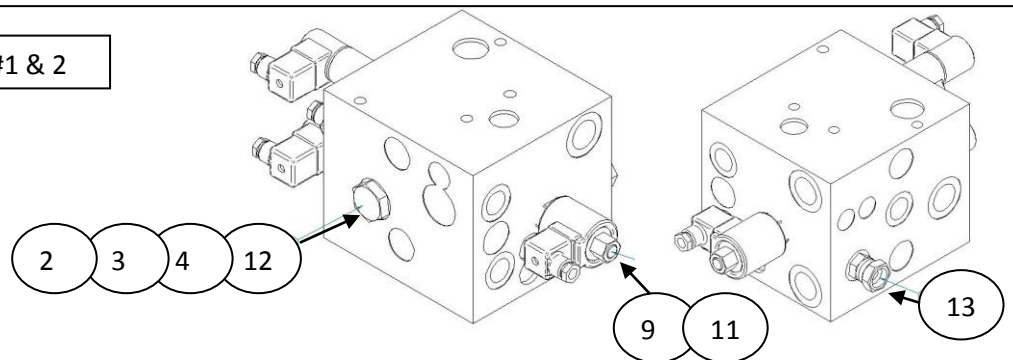
PhiBer Parts Dept does not sell parts for Tara Systems scales. Call Tara Systems direct @ 760.233.0772

Hydraulic Assembly - Valve

STANDARD HYDRAULIC OPTION – OPEN CENTER



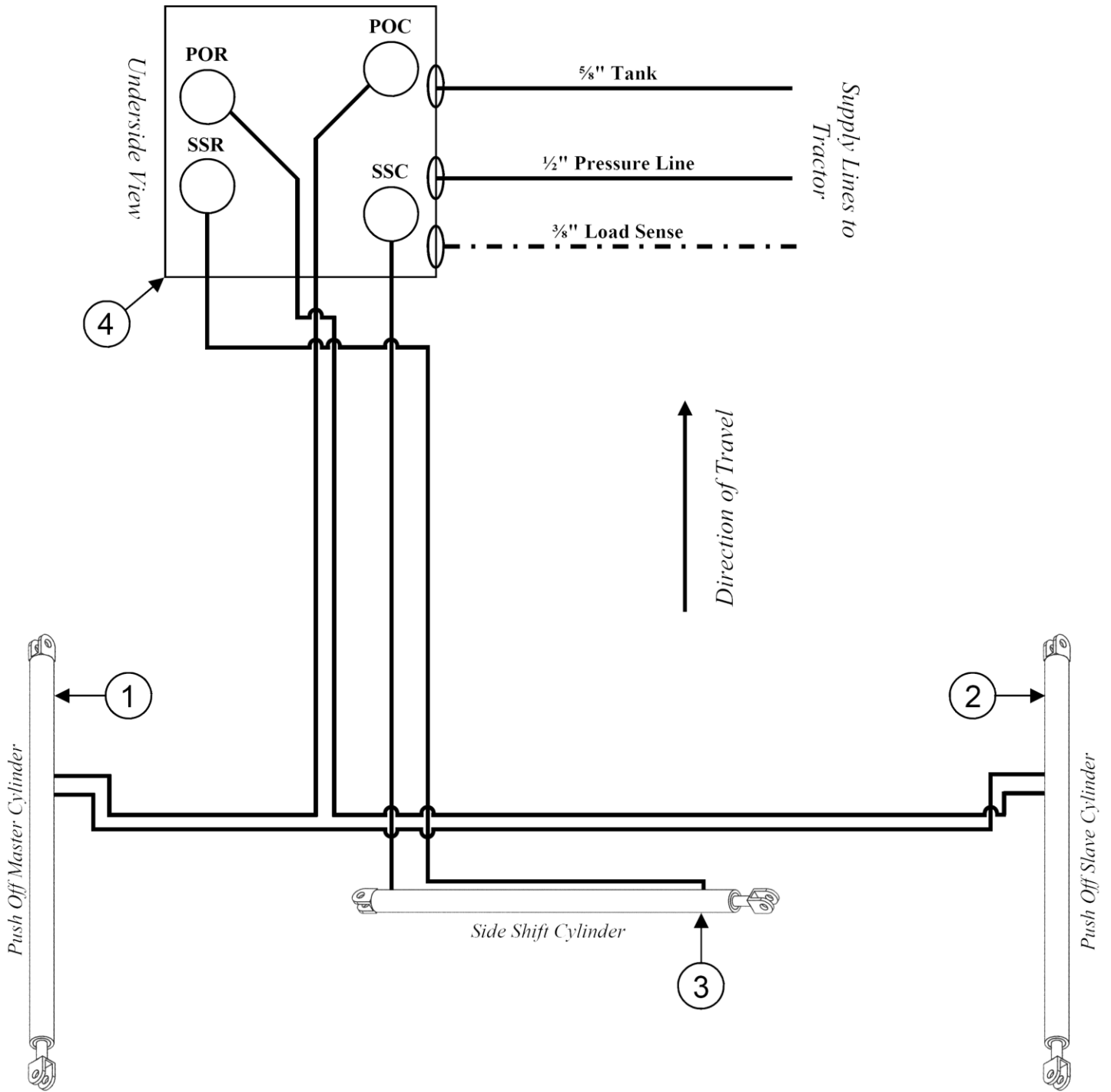
HYDRAULIC OPTION #1 & 2



Hydraulic Assembly - Valve

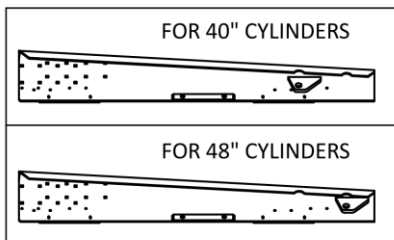
Item No.	Part No.	Description	Quantity
Serial #'s BAX1929 to BAX1936 and BAX1985 to BAX2182			
	HYD-100424	HYDRAULIC VALVE HYDRAFORCE HF55013 - 09	1
1	HYD-100438	PUSH OFF / SS CARTRIDGE SV08-47D HF55013-09 HYDRAFORCE	2
2	HYD-100426	HYDRAFORCE OPEN CENTER CARTRIDGE - 5956100 + HF55013-09 SV12	1
3	HYD-100428	HYDRAFORCE OPEN CENTER & LOAD SENSE COIL / SOLENOID 6356012	1
4	HYD-100429	HYDRAFORCE OPEN CENTER COIL RETAINING NUT	1
Item 2-4	HYD-100419	HYDRAFORCE OPEN CENTRE CARTRIDGE, COIL , & RETAIN NUT SV12	1
5	ELC-100234	HYSTAR LED INDICATOR DIN PLUG	5
6	HYD-100431	PUSH OFF / SS COIL / SOLENOID 6306012 HYDRAFORCE	2
7	HYD-100430	HYDRAFORCE P/O & S/S & L/S COIL RETAINING NUT	1
Item 1, 6, 7	HYD-100468	HYDRAFORCE P/O, S/S CARTRIDGE, COIL, & RETAINING NUT SV08	2
Optional	KIT-100431	VALVE KIT, LEAK STOP, **on CNH VT controlled Accumulators only	
Serial #'s BAX1937 - BAX1984			
	HYD-100415	HYDRAULIC VALVE HYDRAFORCE HF49952-08	2
1	HYD-100427	PUSH OFF / SS CARTRIDGE SV10-47D HF49952-08 HYDRAFORCE	1
2	HYD-100426	HYDRAFORCE OPEN CENTER CARTRIDGE - 5956100 + HF55013-09 SV12	1
3	HYD-100428	HYDRAFORCE OPEN CENTER & LOAD SENSE COIL / SOLENOID 6356012	1
4	HYD-100429	HYDRAFORCE OPEN CENTER COIL RETAINING NUT	1
Items 2 - 4	HYD-100419	HYDRAFORCE OPEN CENTRE CARTRIDGE, COIL , & RETAIN NUT SV12	1
5	ELC-100234	HYSTAR LED INDICATOR DIN PLUG	5
6	HYD-100428	HYDRAFORCE OPEN CENTER & LOAD SENSE COIL / SOLENOID 6356012	2
7	HYD-100430	HYDRAFORCE P/O & S/S & L/S COIL RETAINING NUT	1
Items 1, 6, 7	HYD-100439	HYDRAFORCE P/O, S/S CARTRIDGE, COIL, & RETAINING NUT HF49952	2
HYDRAULIC PACKAGE OPTIONS			
STANDARD OPTION - OPEN CENTER			
8	HYD-100173	6408HHP-08 PLUG, HOLLOW HEX, ORB	1
9	HYD-100423	HYDRAFORCE CAVITY PLUG LOAD SENSING CP-10-30-N (SV10-34)	1
2	HYD-100426	HYDRAFORCE OPEN CENTER CARTRIDGE - 5956100 + HF55013-09 SV12	1
3	HYD-100428	HYDRAFORCE OPEN CENTER & LOAD SENSE COIL / SOLENOID 6356012	1
4	HYD-100429	HYDRAFORCE OPEN CENTER COIL RETAINING NUT	1
STANDARD HOSE KITS			
	KIT-100412	HOSE KIT ACCUMULATOR TO TRACTOR 32'	
	KIT-100420	HOSE KIT ACCUMULATOR TO TRACTOR 35'	
	KIT-100400	OPTION #1 - LOAD SENSE KIT AC3104	
11	HYD-100432	HYDRAFORCE LOAD SENSING CARTRIDGE for HF55013-09	1
12	HYD-100421	CAVITY PLUG, HYDRAFORCE OPEN CENTRE	1
13	HYD-100231	6900-08-08 SWIVEL ADAPTER, MALE ORB to FEMALE PIPE	1
Not shown	HYD-100444	HOSE 1/2"NPT END 54" of 3/8" HOSE 1/2" NPT END	1
LOAD SENSE HOSE KITS			
	KIT-100401	LOAD SENSE HOSE KIT ACCUMULATOR TO TRACTOR 31'	1
	KIT-100403	LOAD SENSE HOSE KIT ACCUMULATOR TO TRACTOR 36'	1
		OPTION #2 - CLOSED CENTER KIT	
12	HYD-100421	CAVITY PLUG, HYDRAFORCE OPEN CENTRE	

Hydraulic Assembly – Cylinder Schematic



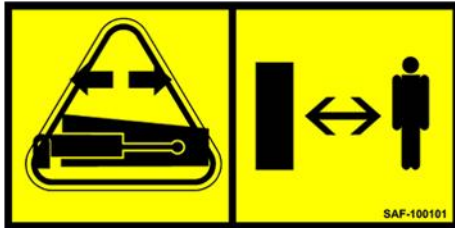
Hydraulic Assembly – Cylinder Schematic

Item No.	Part No.	Description	Quantity
1	HYD-100207	Cylinder, Push Off, Master, 40"	1
	HYD-100402	Cylinder, Push Off, Master, 48"	-
	HYD-100441	Seal Kit, Push Off, Master, Cylinder (S/N's BA XX980 and higher)	
	HYD-100241	Seal Kit, Push Off, Master, Cylinder (S/N's BA XX979 and lower)	
2	HYD-100206	Cylinder, Push Off, Slave, 40"	1
	HYD-100401	Cylinder, Push Off, Slave, 48"	-
	HYD-100440	Seal Kit, Push Off, Slave, Cylinder (S/N's BA XX980 and higher)	
	HYD-100240	Seal Kit, Push Off, Slave, Cylinder (S/N's BA XX979 and lower)	
3	HYD-100403	Cylinder, Side Shift, AC3104	1
	HYD-100404	Seal Kit, Side Shift, Cylinder, AC3104	
4	HYD-100424	Assembly, Valve, Accumulator	1



PUSH-OFF ASSEMBLY 48" ASM-100425
USED IN BALAGE AND EXPORT

Decals & Documentation



1



5



2



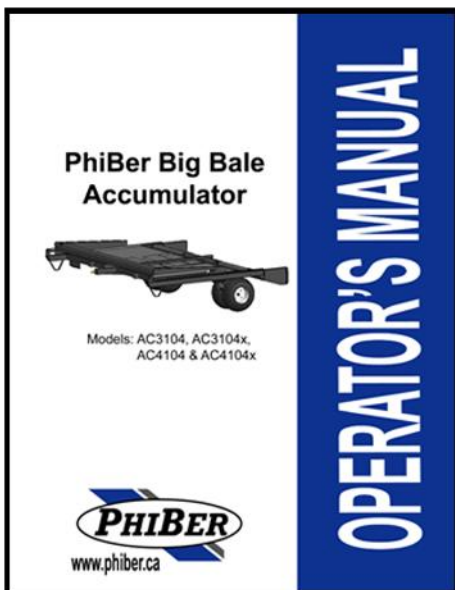
6



3



7



4



8

Decals & Documentation

Item No.	Part No.	Description	Quantity
1	SAF-100101	Decal, Crush Hazard	2
2	CMP-100115	Decal, Reflective Strip, Red	4
3	CMP-100119	Decal, Caution Stand Clear When Machine In Operation	2
4	SAF-100757	Manual, Operator	1
5	SAF-100102	Decal, Read Manual	1
6	CMP-100213	Decal, Grease, 10hr	2
7	CMP-100121	Decal, PhiBer	2
8	DOC-100551	PARTS MANUAL AC3104 / 4104 BAx1929 - 2182	1
	DOC-100550	PARTS MANUAL AC3104 / 4104 pre BAx1929	

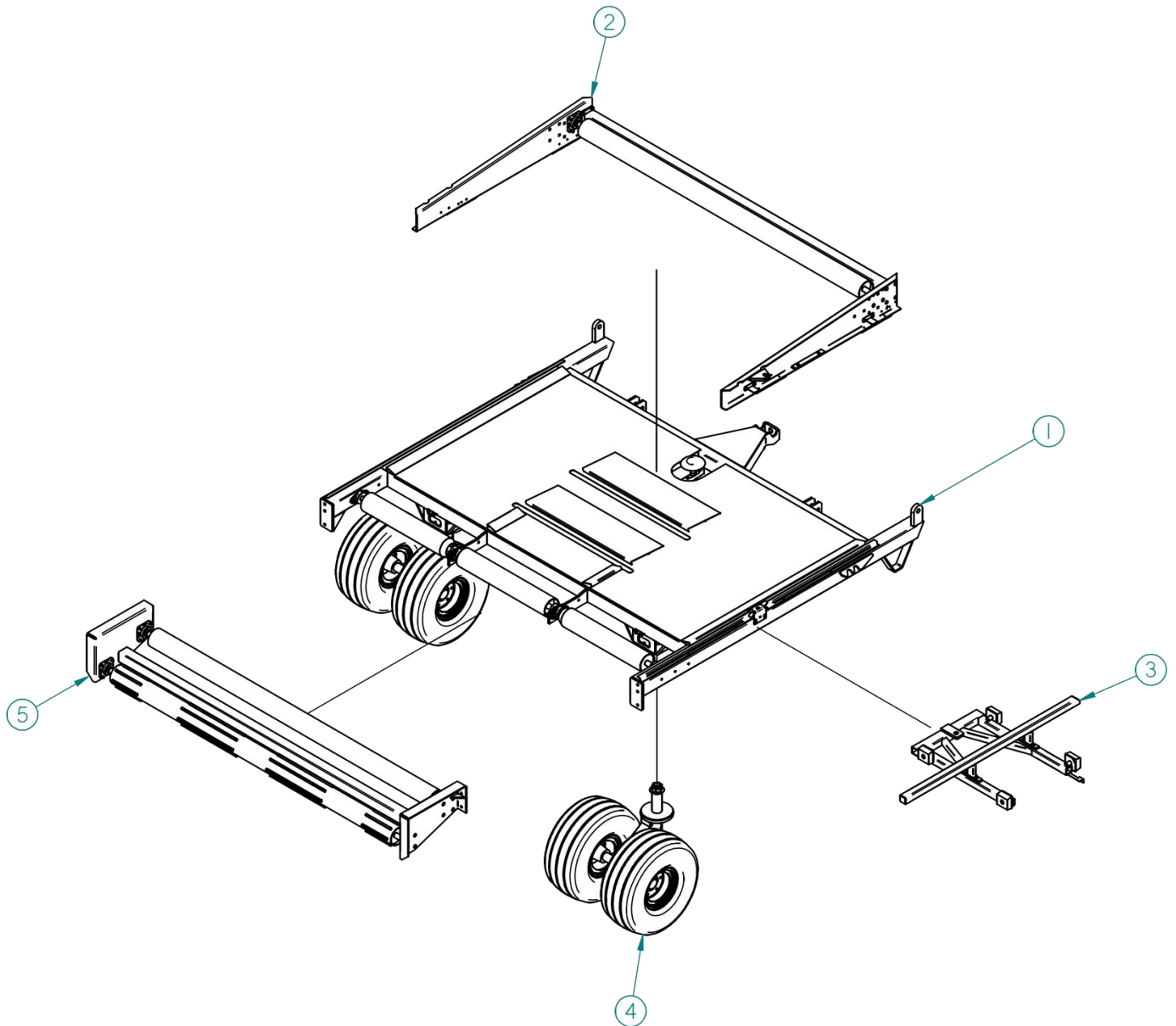
AC3104 Recommended Parts Stock List

Item No.	Part No.	Description	Quantity
	ASM-100414	Plate, Side, Push Off, LH	1
	ASM-100417	Plate, Side, Push Off, RH	1
	ASM-100501	Assembly, Arm, Bale Switch	1
	ASM-100527	Assembly, Caster Arm, Short, Gen III	1
	ASM-100528	Assembly, Caster Arm, Tall, Gen III	1
	CMP-100106	Block, Flange, 4-Bolt, F206	4
	CMP-100109	Bearing, YET 206-104	4
	CMP-100147	Strip, Slide, Plastic, Bottom	4
	CMP-100148	Strip, Slide, Plastic, Top	2
	CMP-100151	Assembly, Tire & Wheel, 4-Ply	1
	CMP-100169	Block, Flange, 2-Bolt, FL206	2
	CMP-100247	Assembly, Tire & Wheel, 10-Ply	1
	ELC-100169	Operator Box, Accumulator (PhiBer Control Systems Only)	1
	ELC-100178	Proximity Switch	2
	ELC-100193	Circuit Board, R4 (PhiBer Control Systems Only)	1
	ELC-100234	Plug, Indicator, LED	5
	FST-100228	Rivet, Pop, Steel	12
	HYD-100240	Seal Kit, Push Off, Slave, Cylinder (S/N's BA XX979 and lower)	1
	HYD-100241	Seal Kit, Push Off, Master, Cylinder (S/N's BA XX979 and lower)	1
	HYD-100404	Seal Kit, Side Shift, Cylinder, AC3104	1
	HYD-100428	Solenoid, Open Center, Valve, Accumulator	1
	HYD-100431	Solenoid, Push Off & Side Shift, Valve, Accumulator	1
	HYD-100440	Seal Kit, Push Off, Slave, Cylinder (S/N's BA XX980 and higher)	1
	HYD-100441	Seal Kit, Push Off, Master, Cylinder (S/N's BA XX980 and higher)	1
	PCT-100407	Washer, Plastic, Caster	2
	PCT-100421	Trigger, Push Off	2
	STM-100168	Bracket, Mounting, Bale Trigger, Proximity Switch	1
	STM-100564	Trigger, Side Shift, LH, AC3104	1
	STM-100565	Trigger, Side Shift, RH, AC3104	1
	WLD-100457	Bracket, Mounting, Push Off, Proximity Switch	1

Notes & References

AC4104

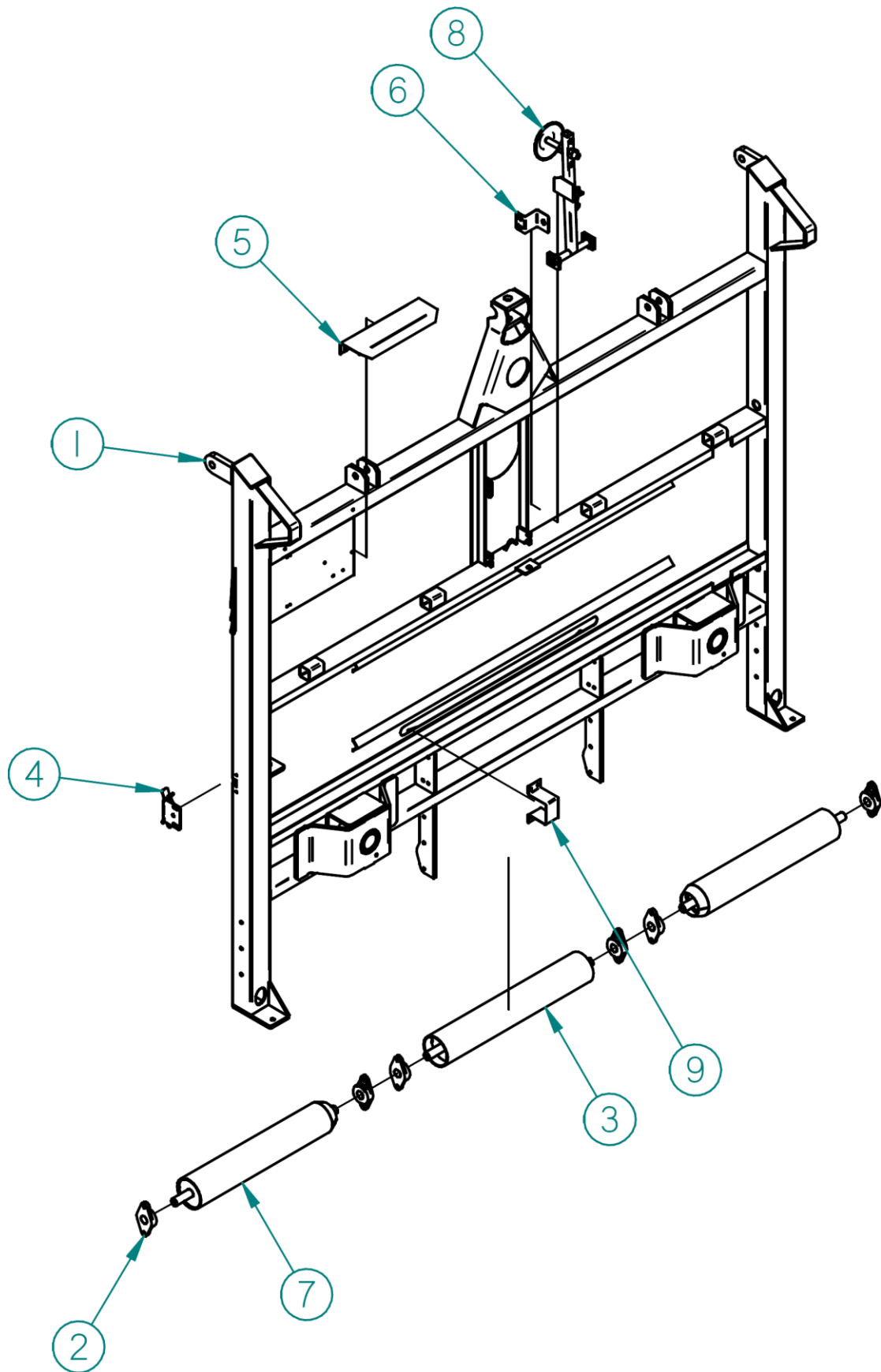
Overview of Machine



Overview of Machine

Item No.	Part No.	Description	Quantity
1		Frame Assembly – See Page 36	
2		Push Off Assembly – See Page 38	
3		Side Shift Assembly -- See Page 40	
4		Caster Assembly – See Page 44	
5		Tailpiece Assembly – See Page 46	

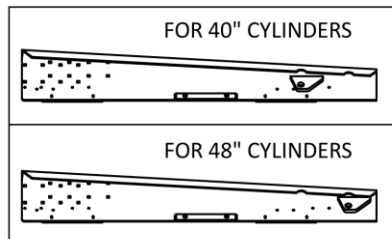
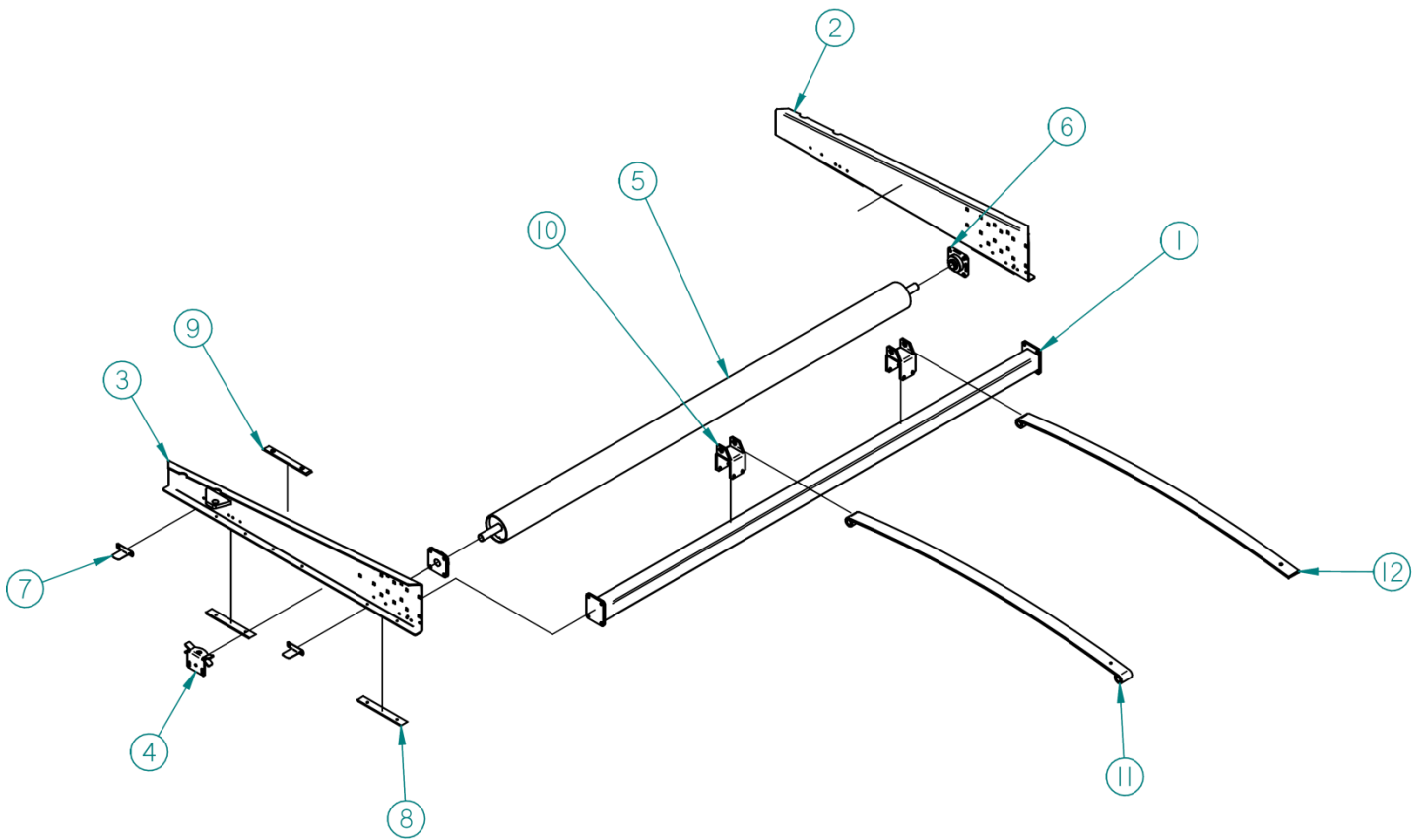
Frame Assembly



Frame Assembly

Item No.	Part No.	Description	Quantity
1	WLD-100585	Frame, AC4104	1
2	CMP-100169	Block, Flange, 2-Bolt, FL206	6
	CMP-100109	Bearing, YET 206-104	6
3	WLD-100536	Roller, Center, AC4104	1
4	WLD-100457	Bracket, Mounting, Push Off, Proximity Switch	1
5	STM-100423	Shield, Mud, Accumulator	1
6	STM-100168	Bracket, Mounting, Bale Trigger, Proximity Switch	
7	WLD-100442	Roller, Coned, AC4104	2
	WLD-100441	Roller, Balage, AC4104 (optional)	
8	ASM-100501	Assembly, Arm, Bale Switch	1
9	STM-100424	Support, Cylinder, Side Shift, AC4104	1
optional	UPD-200103	ACCUMULATOR HITCH UPDATE FROM 08 TO 09 MODEL (square tube to formed hitch)	1
Not shown	WLD-100590	AC4104 DECK CUTOUT (WINDOW) FRAME	2

Push Off Assembly

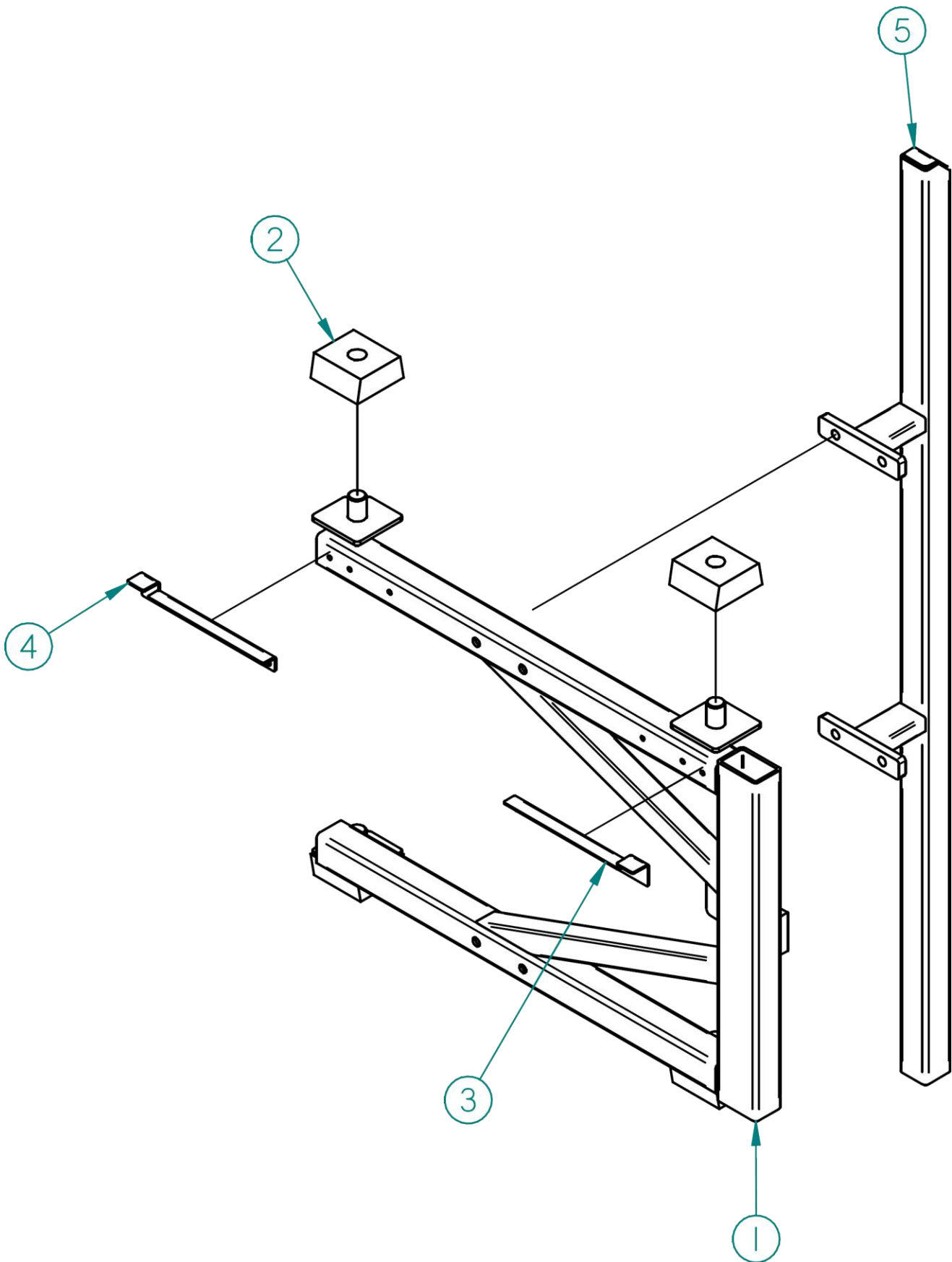


PUSH-OFF ASSEMBLY 48" ASM-100425
USED IN BALAGE AND EXPORT

Push Off Assembly

Item No.	Part No.	Description	Quantity
1	WLD-100437	Bar, Stabilizer, Push Off, AC4104	1
2	ASM-100414	Plate, Side, Push Off, LH	1
See inset	ASM-100415	Plate, Side, Push Off, RH -- for 48" Cylinders	
3	ASM-100417	Plate, Side, Push Off, RH	1
See Inset	ASM-100419	Plate, Side, Push Off, LH -- for 48" Cylinders	
4	WLD-100457	Bracket, Mounting, Push Off, Proximity Switch	1
5	WLD-100453	Roller, Push Off, Heavy, AC4104	1
6	CMP-100106	Block, Flange, 4-Bolt, F206	2
	CMP-100109	Bearing, YET 206-104	2
7	PCT-100421	Trigger, Push Off Proximity Switch	2
	STM-100430	Trigger, Push Off ZCK lever Switch	2
8	CMP-100147*	Strip, Slide, Plastic, Bottom	4
9	CMP-100148*	Strip, Slide, Plastic, Top	2
	FST-100228*	Rivet, Pop, Steel	12
	*	included with items 2 & 3	
10	WLD-100523	Bracket, Support, Bale Spring	2
11	CMP-100170	Spring, Bale Support, Double Eye, 64"	2
12	CMP-100192	Spring, Bale Support, Single Eye, 64"	2
	CMP-100182	Spring, Bale Support, Double Eye, 72"	
	CMP-100225	Spring, Bale Support, Single Eye, 72"	

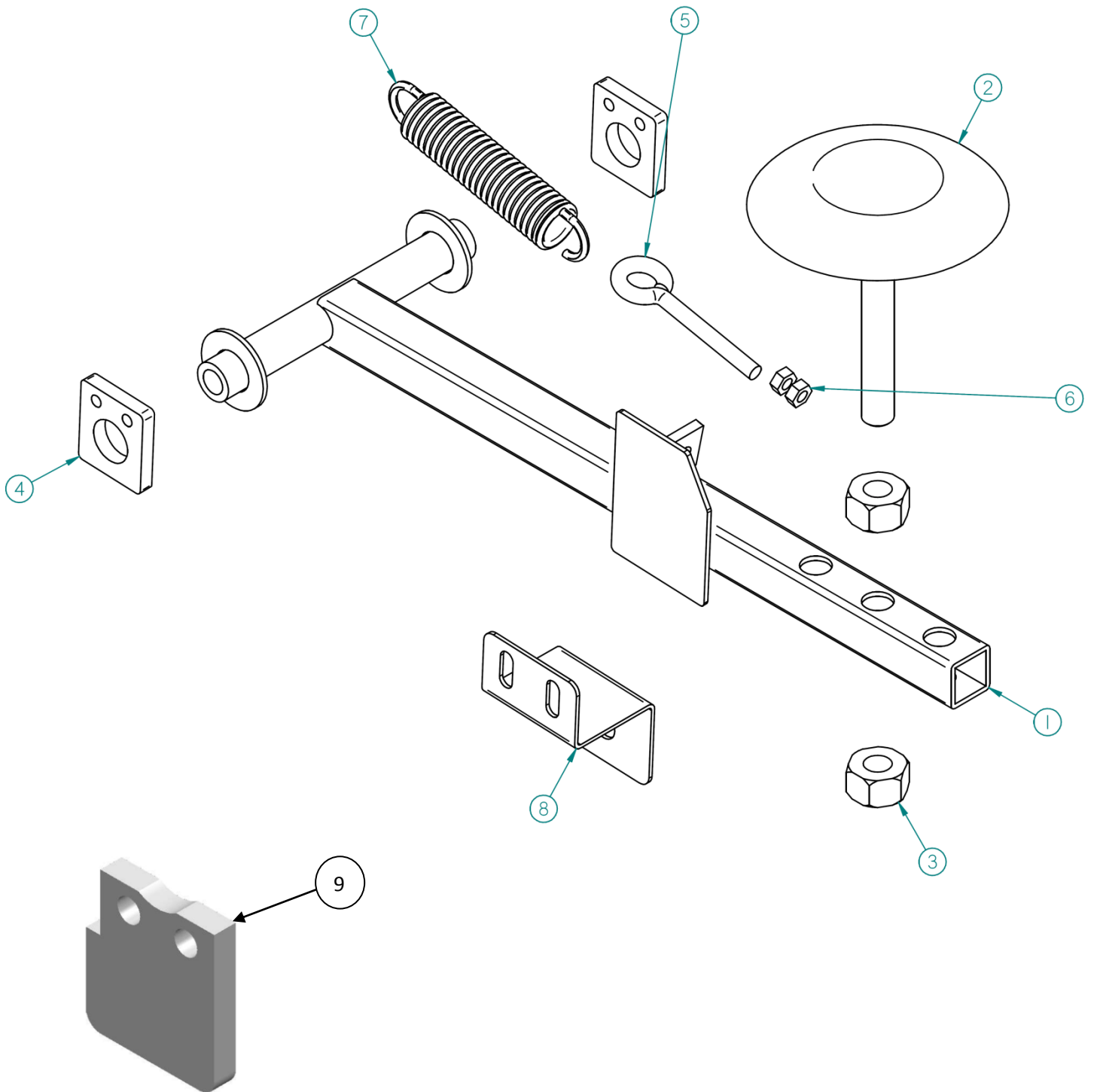
Side Shift Assembly



Side Shift Assembly

Item No.	Part No.	Description	Quantity
1	WLD-100401	Truck, Side Shift	1
2	SAW-100411	Block, Slide, Plastic, Side Shift	4
3	STM-100566	Trigger, Side Shift, LH, AC4104	1
4	STM-100567	Trigger, Side Shift, RH, AC4104	1
5	WLD-100513	Bar, Side Shift	1
Not Shown	CMP-100766	Slide Block Shim	Max 8
	FST-100263	5/16" X 1" Tread Cutting Flange Bolt	4
	FST-100193	1/2 x 3" CAP SCREW gr 5	4
	FST-100356	1/2" CRIMP NUT	4
	ASM-100418	Assembly, Side Shift, Complete, AC4104 <i>Includes items 1-4</i>	

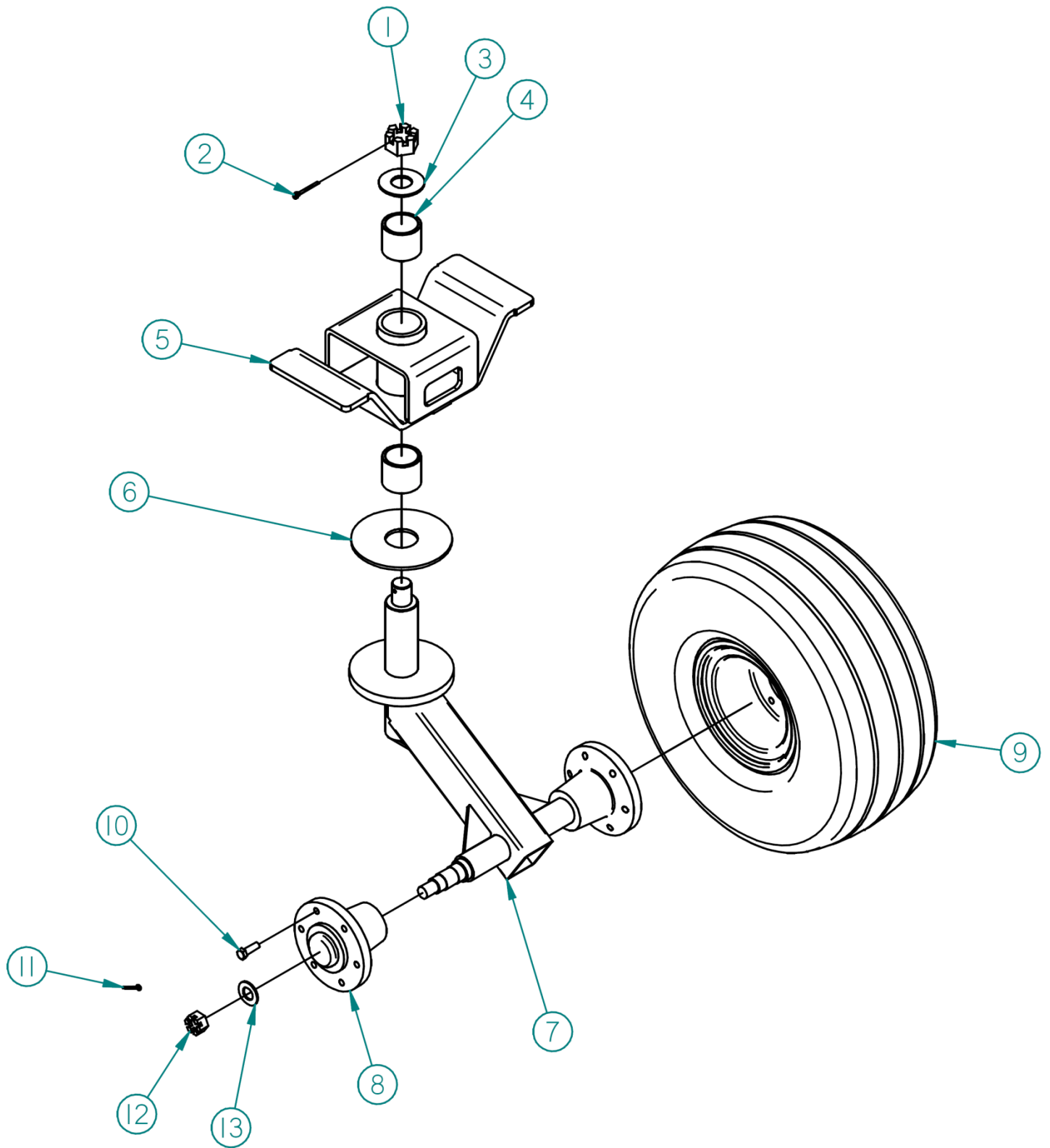
Bale Switch Assembly



Bale Switch Assembly

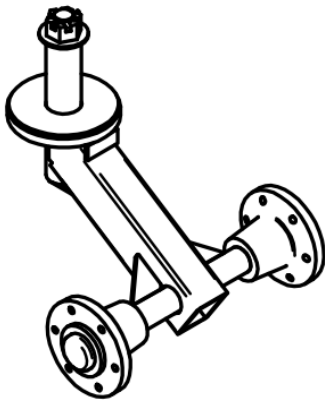
Item No.	Part No.	Description	Quantity
1	WLD-100501	Arm, Bale Switch	1
2	WLD-100502	Button, Bale Switch	1
3	FST-100117	Nut, 3/8"	2
4	SAW-100578	Lug, Mounting, Arm, Bale Switch	2
5	FST-100226	Bolt, Eye, 3/8" x 3"	1
6	FST-100148	Nut, 3/8"	2
7	CMP-100145	Spring, Extension, Arm, Bale Switch	1
8	STM-100168	Bracket, Mounting, Bale Trigger, Proximity Switch	1
9	PCT-100412	Weldon Bale Button Mount	2
Not Shown	ELC-100178	Proximity Switch	1
	ASM-100501	Assembly, Arm, Bale Switch <i>Includes items 1-7</i>	

Caster Assembly

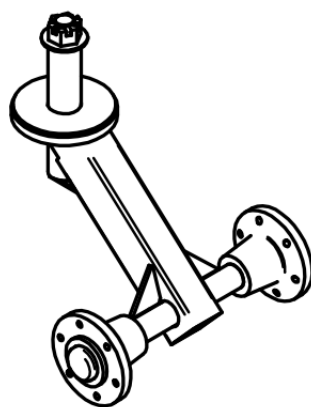


Caster Assembly

Item No.	Part No.	Description	Quantity
1	FST-100312	Nut, Castle, UNF, 1 ½"	2
2	FST-100314	Pin, Cotter, ¼" x 2"	2
3	FST-100313	Washer, Hardened, 1 ½"	2
4	CMP-100194	Bushing, Block, Caster	4
5	WLD-100528	Block, Caster, Gen III	2
6	PCT-100407	Washer, Plastic, Caster	2
7	WLD-100527	Arm, Caster, Short, Gen III	2
	WLD-100539	Arm, Caster, Tall, Gen III	
8	CMP-100144	Hub, Assembly, HA611	4
	CMP-100264	Bearing, Outer, Hub, HA611, LM67048	
	CMP-100265	Bearing, Inner, Hub, HA611, LM29749	
	CMP-100266	Race, Outer Cup, Hub, HA611, LM67010	
	CMP-100267	Race, Inner Cup, Hub, HA611, LM29710	
	CMP-100268	Cap, Dust, Hub, HA611, DC13	
	CMP-100269	Seal, Grease, Hub, HA611, SE13	
	FST-100123	Bolt, Wheel, UNF, ½" x 1 ¼"	
9	CMP-100247	Assembly, Tire & Wheel, 10-Ply	4
	CMP-100244	Tire, 10-Ply	
	CMP-100248	Wheel, 6-Bolt, Heavy Duty	
10	FST-100123	Bolt, Wheel, UNF, ½" x 1 ¼"	24
11	FST-100127	Pin, Cotter, 3/16" x 1 ½"	4
12	FST-100330	Nut, Castle, 1"	4
13	FST-100262	Washer, Flat, Hardened, 1"	4
	ASM-100527	Assembly, Caster Arm, Short, Gen III Includes items 1-3, 6-8, 10, 11	
	ASM-100528	Assembly, Caster Arm, Tall, Gen III Includes items 1-3, 6-8, 10, 11	

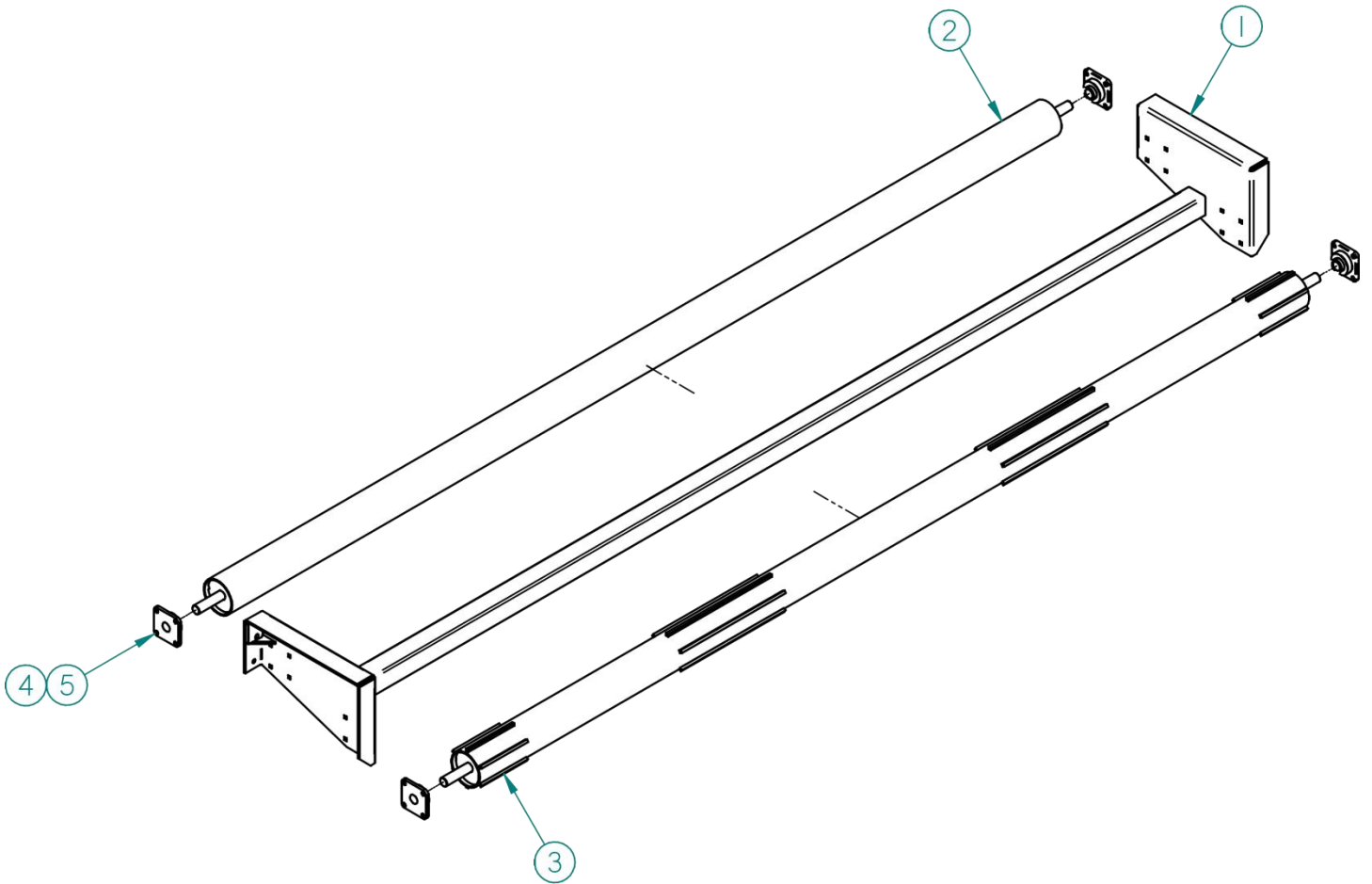


Short Caster
ASM-100527
WLD-100527



Tall Caster
ASM-100528
WLD-100539

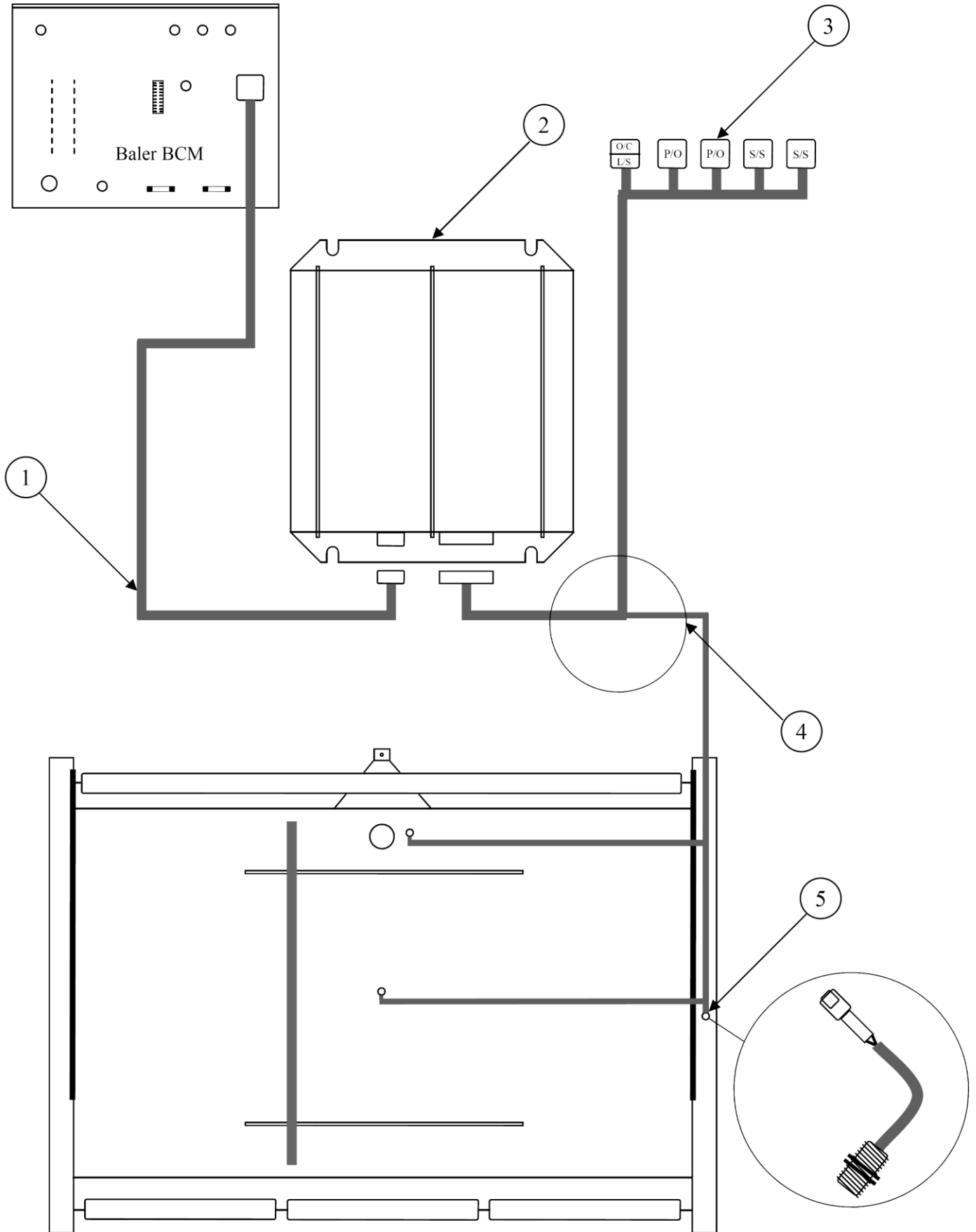
Tailpiece Assembly



Tailpiece Assembly

Item No.	Part No.	Description	Quantity
1	WLD-100445	Frame, Tailpiece, AC4104	1
2	WLD-100439	Roller, Smooth, Tailpiece, AC4104	1
3	WLD-100450	Roller, Ribbed, Tailpiece, AC4104	1
4	CMP-100106	Block, Flange, 4-Bolt, F206	4
5	CMP-100109	Bearing, YET 206-104	4
	FST-100146	3/8" x 1 1/4" Carriage Bolt	16
	FST-100206	3/8" Locknut	16
Not Shown	CMP-100115	Decal, Strip, Conspicuity, Red	4
Not Shown	CMP-100119	Decal, "Caution Stand Clear When Machine in Operation"	2
	ASM-100407	Assembly, Tailpiece, AC4104 <i>Includes items listed above</i>	
	KIT-100461	Optional Tailpiece Wedge Kit	1

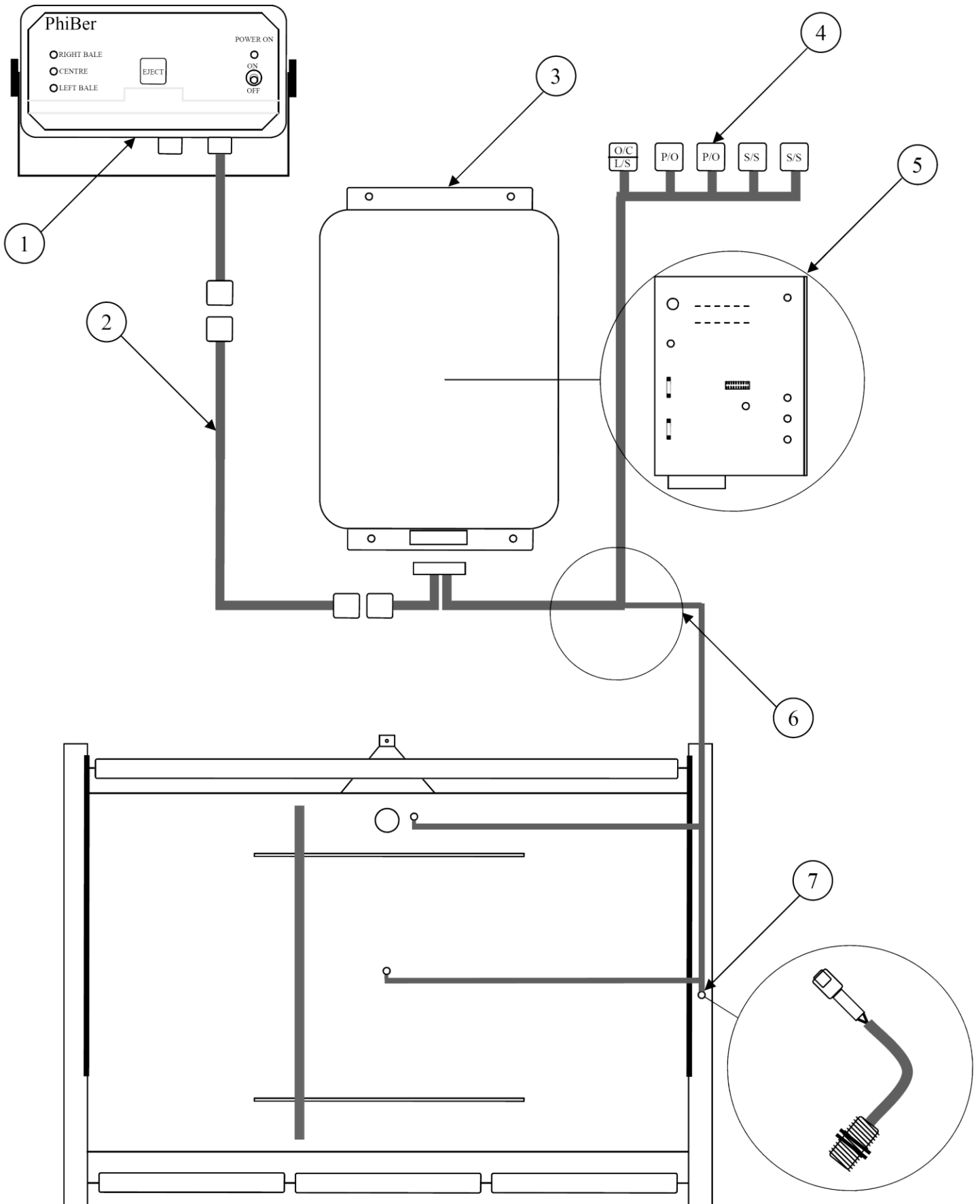
Electronic Assembly: VT



Electronic Assembly: VT

Item No.	Part No.	Description	Quantity
1	ELC-100257	Cable, Extension, Twisted Quad	1
2	ELC-100244	Controller, VT, CNH	1
3	ELC-100234	Plug, Indicator, LED	5
4	ELC-100283	Wire Harness 4 pin trailer plug, VT, AC3104 / 4104 pre BAx2100	1
	ELC-100273	Wire Harness 4 pin Deutsch, AC 3104 / 4104 aft Bax2119	
		Bax2100 to 2119 phone PhiBer Parts Dept for more info. 204.873.2448	
5	ELC-100178	Proximity Switch w/ nut & lock washer	3
	ELC-100284	Proximity Switch nut & lock washer only	6

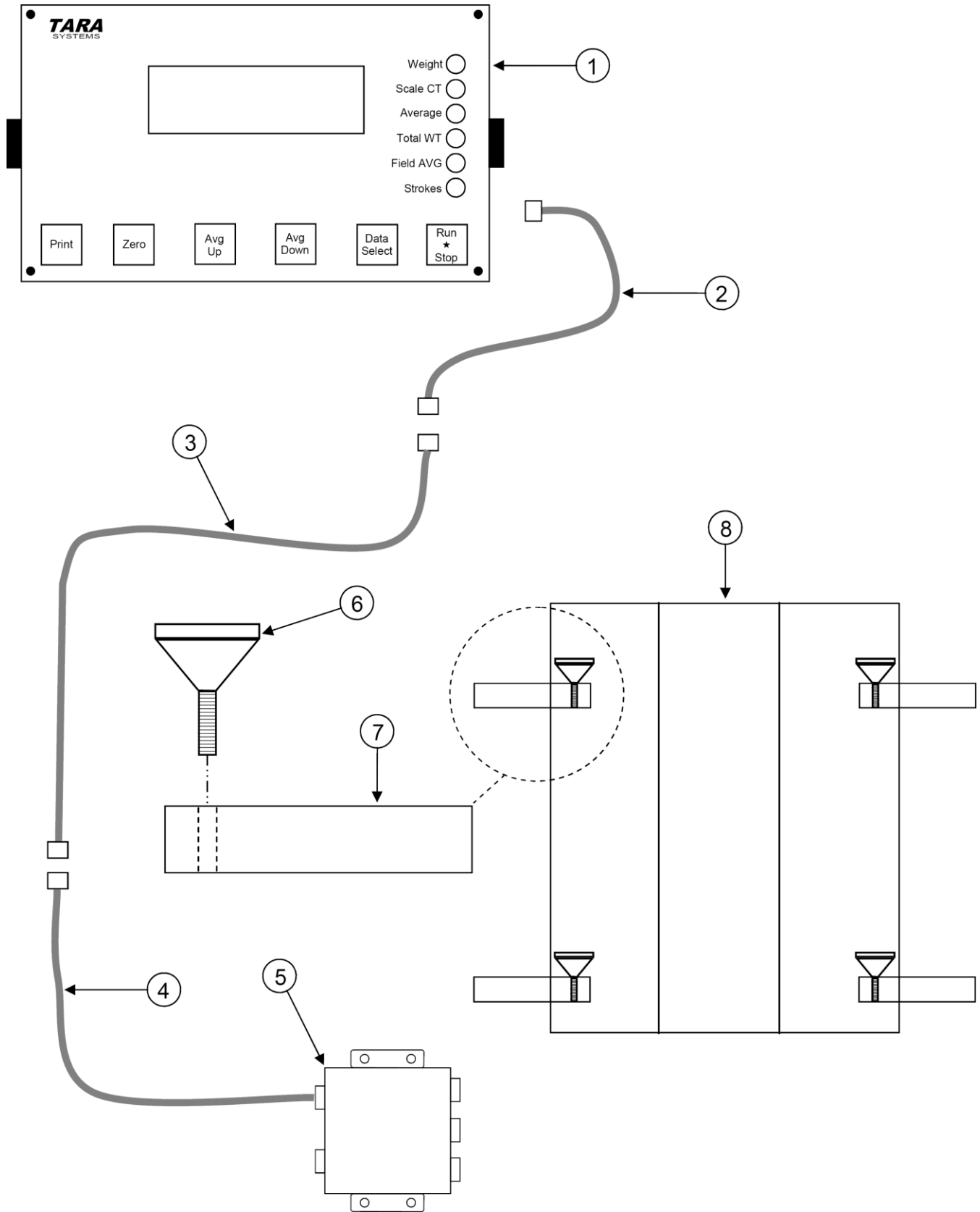
Electronic Assembly: PhiBer



Electronic Assembly: PhiBer

Item No.	Part No.	Description	Quantity
1	ELC-100169	Cab Monitor, Accumulator	1
	CMP-100247	Cab Monitor Decal AC3104 / 4104	1
	ELC-100235	Fuse, 8 amp. Cab Monitor	1
2	ELC-100174	Cable, Extension, 33'	1
	ELC-100276	Cable, Extension, 38'	
3	ELC-100260	Assembly, Controller, PhiBer	1
	ELC-100145	Controller Lid only	1
4	ELC-100234	Plug, Indicator, LED	5
5	ELC-100193	Circuit Board, R4	1
	ELC-100118	Circuit Board Pic Chip (v4.03-3)	1
6	ELC-100272	Harness, Wire, PhiBer, AC3104 / 4104	1
7	ELC-100178	Proximity Switch w/ nut & lock washer	3
	ELC-100284	Proximity Switch nut & lock washer only	6

Electronic Assembly: Scale

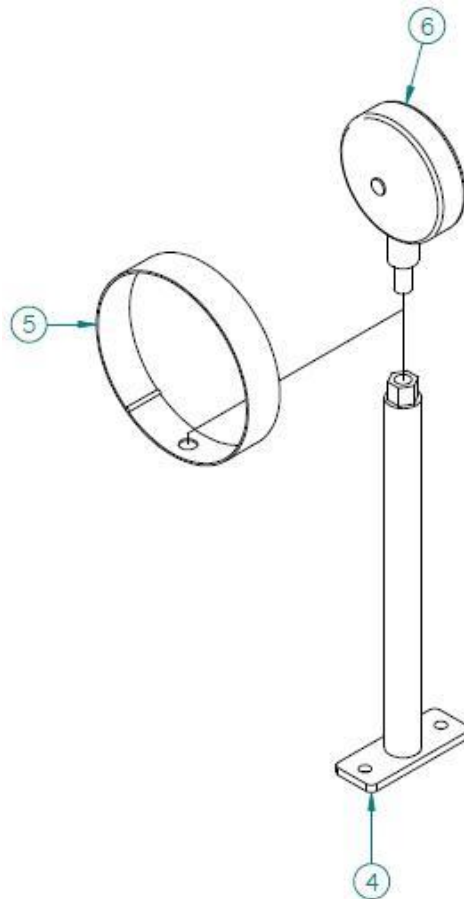
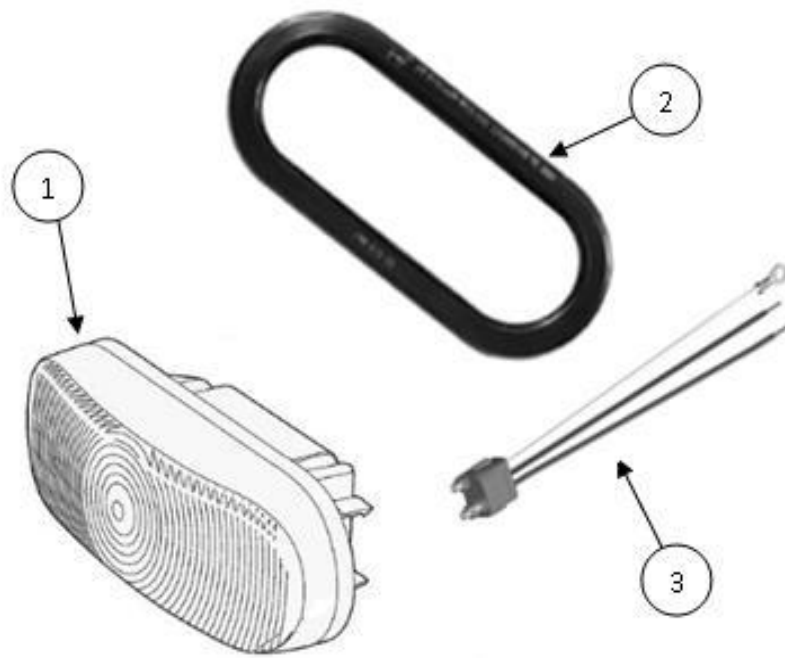


Electronic Assembly: Scale

Item No.	Part No.	Description	Quantity
1	ELC-100288	Monitor, Bale Scale	1
2	ELC-100295	Cable, 10' (Monitor to Extension Cable)	1
3	ELC-100296	Cable, Extension, 35'	1
4	ELC-100297	Cable, Connector, 10' (Extension Cable to JBOX)	1
5	ELC-100289	J-Box, Bale Scale	1
6	ELC-100278	Feet, Load Cell, Bale Scale	4
7	ELC-100287	Loadcell, Beam, Bale Scale	4
8	WLD-100541	Deck, Bale Scale, AC4104	1
Not Shown	PCT-100453	Bracket, Mounting, Monitor, Bale Scale	1
Not Shown	ELC-100309	Knob, Retaining, Monitor, Bale Scale	2

PhiBer Parts Dept does not sell parts for Tara Systems scales. Call Tara Systems direct @ 760.233.0772

Lights & Hazard Flashers

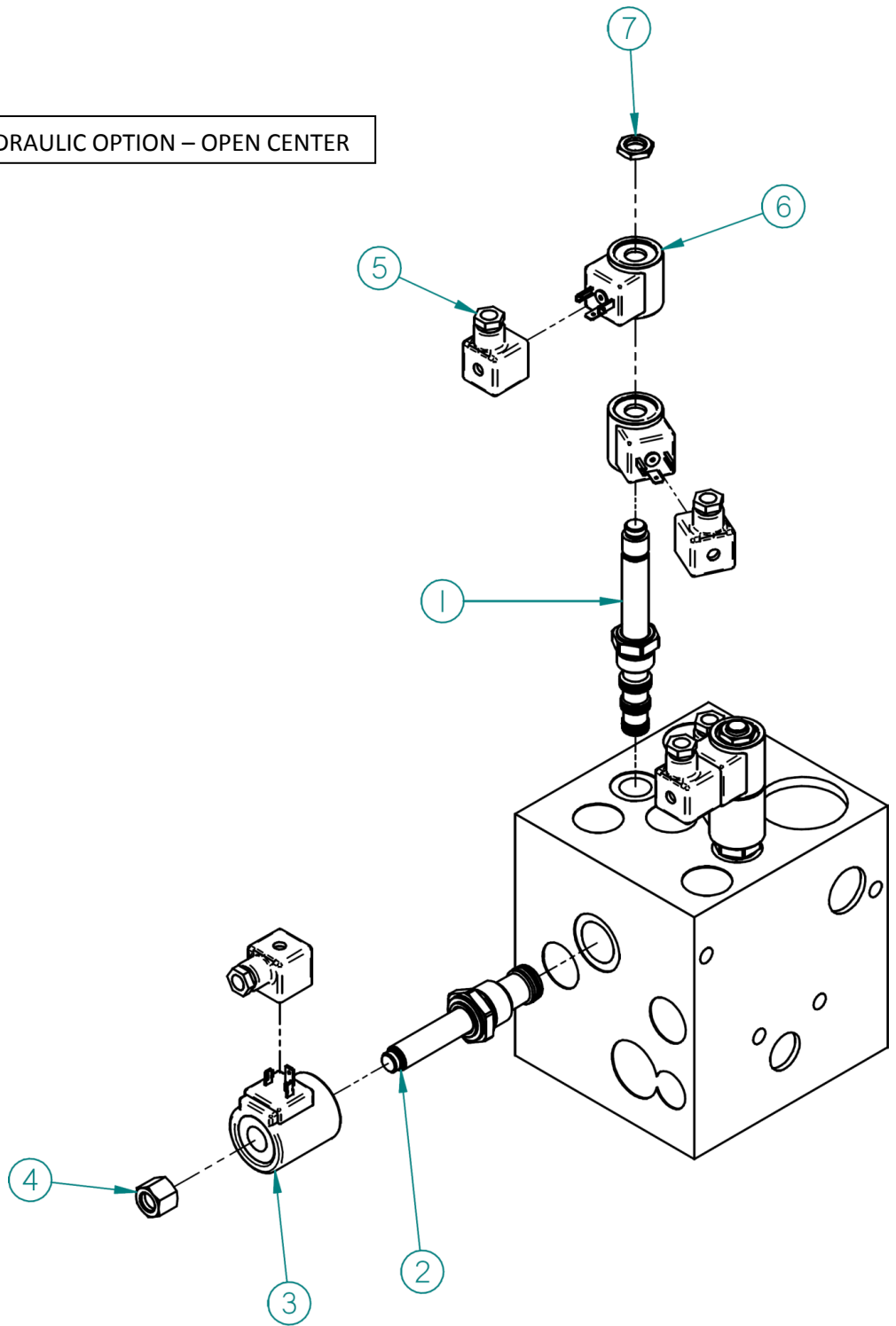


Lights & Hazard Flashers

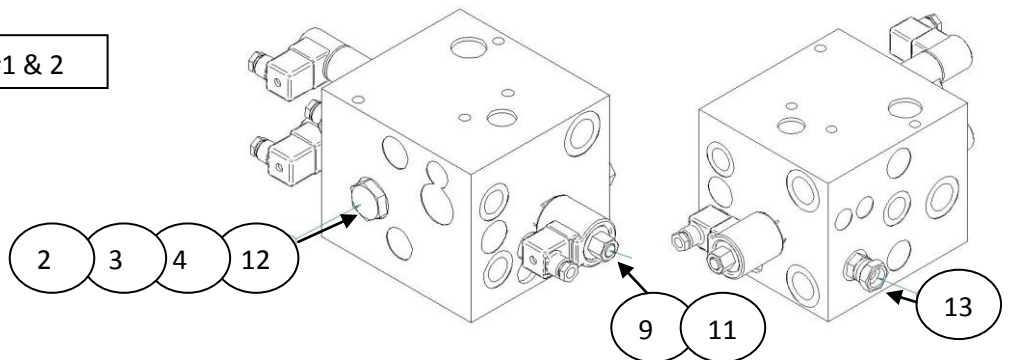
Item No.	Part No.	Description	Quantity
1, 2, 3	ELC-100472	LIGHT ASM, OVAL RED W/ GROMMET & PIGTAIL	2
4	WLD-100522	LIGHT POST AC4104	2
5	PCT-100798	RING GUARD ONLY	2
5 & 6	ELC-100470	LIGHT ASM, ROUND AMBER STUD MOUNT W/ GUARD	2

Hydraulic Assembly

STANDARD HYDRAULIC OPTION – OPEN CENTER



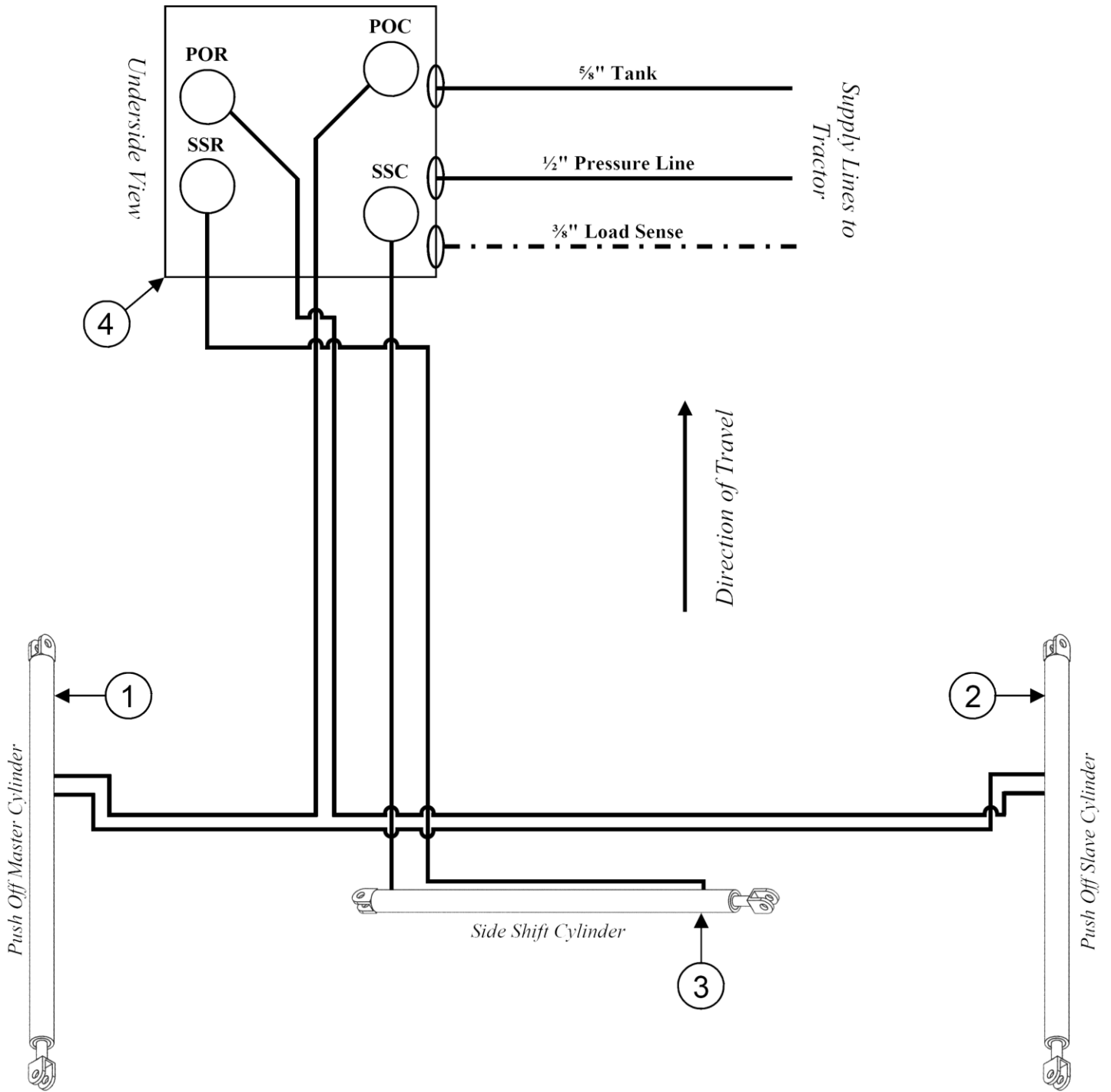
HYDRAULIC OPTION #1 & 2



Hydraulic Assembly

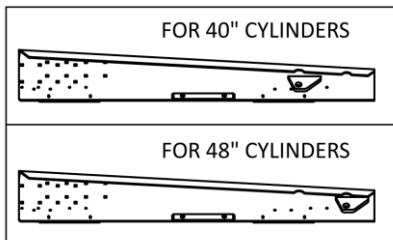
Item No.	Part No.	Description	Quantity
Serial #'s BAX1929 to BAX1936 and BAX1985 to BAX2182			
	HYD-100424	HYDRAULIC VALVE HYDRAFORCE HF55013 – 09	1
1	HYD-100438	PUSH OFF / SS CARTRIDGE SV08-47D HF55013-09 HYDRAFORCE	2
2	HYD-100426	HYDRAFORCE OPEN CENTER CARTRIDGE - 5956100 + HF55013-09 SV12	1
3	HYD-100428	HYDRAFORCE OPEN CENTER & LOAD SENSE COIL / SOLENOID 6356012	1
4	HYD-100429	HYDRAFORCE OPEN CENTER COIL RETAINING NUT	1
Item 2-4	HYD-100419	HYDRAFORCE OPEN CENTRE CARTRIDGE, COIL , & RETAIN NUT SV12	1
5	ELC-100234	HYSTAR LED INDICATOR DIN PLUG	5
6	HYD-100431	PUSH OFF / SS COIL / SOLENOID 6306012 HYDRAFORCE	2
7	HYD-100430	HYDRAFORCE P/O & S/S & L/S COIL RETAINING NUT	1
Item 1, 6, 7	HYD-100468	HYDRAFORCE P/O, S/S CARTRIDGE, COIL, & RETAINING NUT SV08	2
Optional	KIT-100431	VALVE KIT, LEAK STOP, **on CNH VT controlled Accumulators only	
Serial #'s BAX1937 - BAX1984			
	HYD-100415	HYDRAULIC VALVE HYDRAFORCE HF49952-08	2
1	HYD-100427	PUSH OFF / SS CARTRIDGE SV10-47D HF49952-08 HYDRAFORCE	1
2	HYD-100426	HYDRAFORCE OPEN CENTER CARTRIDGE - 5956100 + HF55013-09 SV12	1
3	HYD-100428	HYDRAFORCE OPEN CENTER & LOAD SENSE COIL / SOLENOID 6356012	1
4	HYD-100429	HYDRAFORCE OPEN CENTER COIL RETAINING NUT	1
Items 2 - 4	HYD-100419	HYDRAFORCE OPEN CENTRE CARTRIDGE, COIL , & RETAIN NUT SV12	1
5	ELC-100234	HYSTAR LED INDICATOR DIN PLUG	5
6	HYD-100428	HYDRAFORCE OPEN CENTER & LOAD SENSE COIL / SOLENOID 6356012	2
7	HYD-100430	HYDRAFORCE P/O & S/S & L/S COIL RETAINING NUT	1
Items 1, 6, 7	HYD-100439	HYDRAFORCE P/O, S/S CARTRIDGE, COIL, & RETAINING NUT HF49952	2
HYDRAULIC PACKAGE OPTIONS			
STANDARD OPTION - OPEN CENTER			
8	HYD-100173	6408HHP-08 PLUG, HOLLOW HEX, ORB	1
9	HYD-100423	HYDRAFORCE CAVITY PLUG LOAD SENSING CP-10-30-N (SV10-34)	1
2	HYD-100426	HYDRAFORCE OPEN CENTER CARTRIDGE - 5956100 + HF55013-09 SV12	1
3	HYD-100428	HYDRAFORCE OPEN CENTER & LOAD SENSE COIL / SOLENOID 6356012	1
4	HYD-100429	HYDRAFORCE OPEN CENTER COIL RETAINING NUT	1
STANDARD HOSE KITS			
	KIT-100412	HOSE KIT ACCUMULATOR TO TRACTOR 32'	
	KIT-100420	HOSE KIT ACCUMULATOR TO TRACTOR 35'	
	KIT-100400	OPTION #1 - LOAD SENSE KIT AC3104	
11	HYD-100432	HYDRAFORCE LOAD SENSING CARTRIDGE for HF55013-09	1
12	HYD-100421	CAVITY PLUG, HYDRAFORCE OPEN CENTRE	1
13	HYD-100231	6900-08-08 SWIVEL ADAPTER, MALE ORB to FEMALE PIPE	1
Not shown	HYD-100444	HOSE 1/2"NPT END 54" of 3/8" HOSE 1/2" NPT END	1
LOAD SENSE HOSE KITS			
	KIT-100401	LOAD SENSE HOSE KIT ACCUMULATOR TO TRACTOR 31'	1
	KIT-100403	LOAD SENSE HOSE KIT ACCUMULATOR TO TRACTOR 36'	1
		OPTION #2 - CLOSED CENTER KIT	
12	HYD-100421	CAVITY PLUG, HYDRAFORCE OPEN CENTRE	

Hydraulic Assembly – Cylinder Schematic



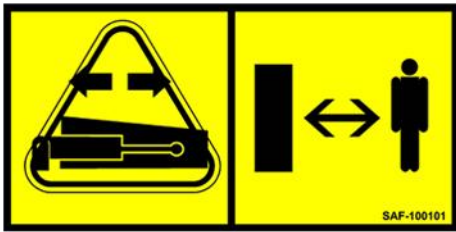
Hydraulic Assembly – Cylinder Schematic

Item No.	Part No.	Description	Quantity
1	HYD-100207	Cylinder, Push Off, Master, 40" RH	1
	HYD-100402	Cylinder, Push Off, Master, 48" RH	-
	HYD-100441	Seal Kit, Push Off, Master, Cylinder (S/N's BA XX980 and higher)	
	HYD-100241	Seal Kit, Push Off, Master, Cylinder (S/N's BA XX979 and lower)	
2	HYD-100206	Cylinder, Push Off, Slave, 40" RH	1
	HYD-100401	Cylinder, Push Off, Slave, 48" RH	-
	HYD-100440	Seal Kit, Push Off, Slave, Cylinder (S/N's BA XX980 and higher)	
	HYD-100240	Seal Kit, Push Off, Slave, Cylinder (S/N's BA XX979 and lower)	
3	HYD-100225	Cylinder, Side Shift, AC4104	1
	HYD-100218	Seal Kit, Side Shift, Cylinder, AC4104	
4	HYD-100424	Assembly, Valve, Accumulator	1
	FST-100703	Cylinder Pin, 1" x 2 ¼" usable length	6



PUSH-OFF ASSEMBLY 48" ASM-100425
USED IN BALAGE AND EXPORT

Decals & Documentation



1



5



2



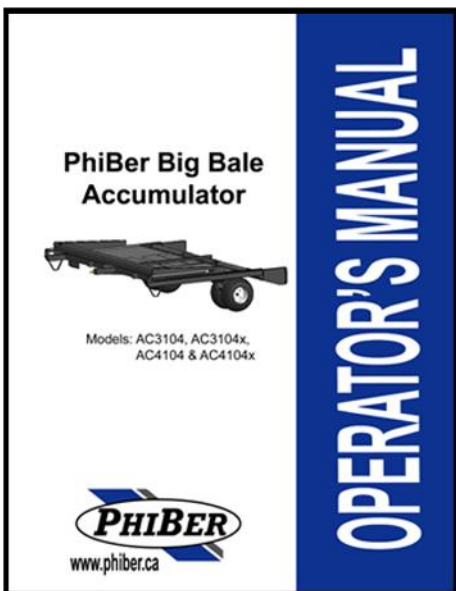
6



3



7



4



8

Decals & Documentation

Item No.	Part No.	Description	Quantity
1	SAF-100101	Decal, Crush Hazard	2
2	CMP-100115	Decal, Reflective Strip, Red	4
3	CMP-100119	Decal, Caution Stand Clear When Machine In Operation	2
4	DOC-100561	OPERATOR MANUAL AC3104 / 4104 2009 BAx1929 - 2182	1
5	SAF-100102	Decal, Read Manual	1
6	CMP-100213	Decal, Grease, 10hr	2
7	CMP-100121	Decal, PhiBer	2
8	DOC-100551	PARTS MANUAL AC3104 / 4104 BAx1929 - 2182	1
	DOC-100550	PARTS MANUAL AC3104 / 4104 pre BAx1929	

Recommended Parts Stock List

Item No.	Part No.	Description	Quantity
	ASM-100414	Plate, Side, Push Off, LH	1
	ASM-100417	Plate, Side, Push Off, RH	1
	ASM-100501	Assembly, Arm, Bale Switch	1
	ASM-100527	Assembly, Caster Arm, Short, Gen III	1
	ASM-100528	Assembly, Caster Arm, Tall, Gen III	1
	CMP-100106	Block, Flange, 4-Bolt, F206	4
	CMP-100109	Bearing, YET 206-104	4
	CMP-100147	Strip, Slide, Plastic, Bottom	4
	CMP-100148	Strip, Slide, Plastic, Top	2
	CMP-100169	Block, Flange, 2-Bolt, FL206	2
	CMP-100247	Assembly, Tire & Wheel, 10-Ply	1
	ELC-100169	Operator Box, Accumulator (PhiBer Control Systems Only)	1
	ELC-100178	Proximity Switch	2
	ELC-100182	Light, Oval, Sealed, Red	2
	ELC-100193	Circuit Board, R4 (PhiBer Control Systems Only)	1
	ELC-100234	Plug, Indicator, LED	5
	ELC-100470	Light Asm, Round Amber stud mount w/ Guard	2
	ELC-100472	Light Asm. Oval Red w/ grommet & pigtail	2
	FST-100228	Rivet, Pop, Steel	12
	HYD-100218	Seal Kit, Side Shift, Cylinder, AC4104	1
	HYD-100240	Seal Kit, Push Off, Slave, Cylinder (S/N's BA XX979 and lower)	1
	HYD-100241	Seal Kit, Push Off, Master, Cylinder (S/N's BA XX979 and lower)	1
	HYD-100428	Solenoid, Open Center, Valve, Accumulator	1
	HYD-100431	Solenoid, Push Off & Side Shift, Valve, Accumulator	1
	HYD-100440	Seal Kit, Push Off, Slave, Cylinder (S/N's BA XX980 and higher)	1
	HYD-100441	Seal Kit, Push Off, Master, Cylinder (S/N's BA XX980 and higher)	1
	PCT-100407	Washer, Plastic, Caster	2
	PCT-100421	Trigger, Push Off	2
	STM-100168	Bracket, Mounting, Bale Trigger, Proximity Switch	1
	STM-100566	Trigger, Side Shift, LH, AC4104	1
	STM-100567	Trigger, Side Shift, RH, AC4104	1
	WLD-100457	Bracket, Mounting, Push Off, Proximity Switch	1

Part Number	Page Number	Part Number	Page Number
ASM-100407	47	ELC-100234	19, 21, 25, 30, 49, 51, 57, 62
ASM-100409	17	ELC-100244	19, 49
ASM-100414	9, 30, 39, 62	ELC-100256	51
ASM-100415	9, 39	ELC-100257	19, 49
ASM-100417	9, 30, 39, 62	ELC-100260	21, 51
ASM-100418	41	ELC-100272	21
ASM-100419	9, 39	ELC-100273	49
ASM-100420	11	ELC-100276	21, 51
ASM-100501	7, 13, 30, 37, 43, 62	ELC-100278	23, 53
ASM-100527	15, 30, 45, 62	ELC-100283	19
ASM-100528	15, 30, 45, 62	ELC-100287	23, 53
ASM-100641	32, 64	ELC-100288	23, 53
ASM-100650	67	ELC-100289	23, 53
ASM-100692	65, 66	ELC-100295	23, 53
CMP-100106	9, 17, 30, 39, 47, 62	ELC-100296	23, 53
CMP-100109	7, 9, 17, 30, 37, 39, 47, 62	ELC-100297	23, 53
CMP-100115	15, 17, 27, 47, 61	FST-100117	13, 43
CMP-100119	17, 27, 47, 61	FST-100123	15, 45
CMP-100121	29, 61	FST-100127	15, 45
CMP-100144	15, 45	FST-100148	13, 43
CMP-100145	13, 43	FST-100221	15, 45
CMP-100147	9, 30, 39, 62	FST-100226	13, 43
CMP-100148	9, 30, 39, 62	FST-100228	9, 28, 39, 62
CMP-100151	30	FST-100312	15, 45
CMP-100169	7, 30, 37, 62	FST-100313	15, 45
CMP-100170	9, 39, 64	FST-100314	15, 45
CMP-100182	9, 39	FST-100330	15, 45
CMP-100192	9, 39	HYD-100206	27, 59
CMP-100194	15, 45	HYD-100207	27, 59
CMP-100213	29, 61	HYD-100218	59, 62
CMP-100223	15	HYD-100225	59
CMP-100224	15	HYD-100240	27, 28, 59, 62
CMP-100225	9, 39	HYD-100241	27, 28, 59, 62
CMP-100244	15, 45	HYD-100403	27
CMP-100247	15, 28, 45	HYD-100404	27, 28
CMP-100248	15, 45	HYD-100421	25, 57
CMP-100264	15, 45	HYD-100423	25, 57
CMP-100265	15, 45	HYD-100424	25, 27, 57, 59
CMP-100266	15, 45	HYD-100426	25, 57
CMP-100267	15, 45	HYD-100427	25, 57
CMP-100268	15, 45	HYD-100428	25, 30, 57, 60
CMP-100269	15, 45	HYD-100429	25, 57
DOC-100550	29, 61	HYD-100430	25, 57
DOC-100551	29, 61	HYD-100431	25, 28, 57, 60
DOC-100561	29, 61	HYD-100432	25, 57
ELC-100107	55	HYD-100440	27, 30, 59, 62
ELC-100169	21, 30, 51	HYD-100441	27, 30, 59, 62
ELC-100174	21, 51	PCT-100407	15, 30, 45, 62
ELC-100178	13, 19, 21, 30, 43, 49, 51, 62	PCT-100421	9, 30, 39, 62
ELC-100182	55	PCT-100453	23, 53
ELC-100183	55	PCT-100798	55
ELC-100184	55	SAF-100101	29, 61
ELC-100193	21, 30, 51, 62	SAF-100102	29, 61

Index

Part Number.....	Page Number
SAW-100411	11, 41
STM-100168.....	7, 13, 30, 37, 43, 62
STM-100423.....	7, 37
STM-100424.....	7, 37
STM-100564.....	11, 30
STM-100565.....	11, 30
STM-100566.....	41, 62
STM-100567.....	41, 62
WLD-100401	11, 41
WLD-100412	9
WLD-100420	9, 17
WLD-100424	7
WLD-100425	17
WLD-100426	17
WLD-100437	39
WLD-100439	47
WLD-100441	37
WLD-100442	37
WLD-100445	47
WLD-100450	47
WLD-100453	39
WLD-100457	7, 9, 30, 37, 39, 62
WLD-100501	13, 43
WLD-100502	13, 43
WLD-100513	11, 41
WLD-100516	7
WLD-100517	7
WLD-100522	55
WLD-100523	9, 39
WLD-100527	15, 45
WLD-100528	15, 45
WLD-100536	37
WLD-100539	15, 45
WLD-100540	23
WLD-100541	53
WLD-100575	7
WLD-100585	37
WLD-100601	69



DOC-100551
Issued 03/15

PhiBer Manufacturing Inc.
Crystal City, MB R0K 0N0
Canada

Printed in Canada