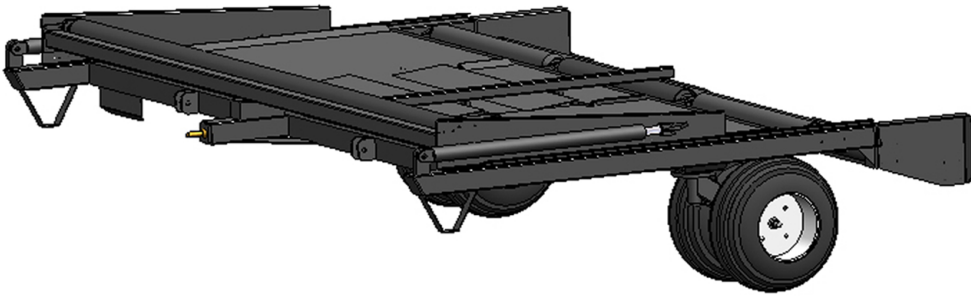


PhiBer Big Bale Accumulator



Models: AC3106 & AC4106



INNOVATIONS FOR PROGRESSIVE PEOPLE

PART'S MANUAL

www.phiber.ca

This page is intentionally left blank

AC3106/AC4106**Table of Contents**

AC3106, ACCUMULATOR – STANDARD	5
AC3106, FRAME ASSEMBLY– STANDARD	6-7
AC3106, ACCUMULATOR – BALAGE	9
AC3106, FRAME ASSEMBLY – BALAGE	10-11
AC3106, ACCUMULATOR – SCALE	12
AC3106, FRAME ASSEMBLY – SCALE	13-15
AC3106, TAIL PIECE ASSEMBLY	17
AC3106, HYDRAULIC PACKAGE	18-21
AC4106, ACCUMULATOR – STANDARD	23
AC4106, FRAME ASSEMBLY– STANDARD	24-25
AC4106, ACCUMULATOR – BALAGE	27
AC4106, FRAME ASSEMBLY – BALAGE	28-29
AC4106, ACCUMULATOR – SCALE	30
AC4106, FRAME ASSEMBLY – SCALE	31-33
AC4106, TAIL PIECE ASSEMBLY	35
AC4106, HYDRAULIC PACKAGE	36-39
AC3106/AC4106, CASTER ASSEMBLY (SHORT)	40
AC3106/AC4106, CASTER ASSEMBLY (TALL).....	41
AC3106/4106, ELECTRICAL – CNH VT WIRING KIT	42
AC3106/4106, ELECTRICAL – PHIBER WIRING KIT	43
AC3106/4106, ELECTRICAL – WIRING HARNESS VT – DEUTSCH.....	44-45
AC3106/4106, ELECTRICAL – WIRING HARNESS PHIBER – DEUTSCH	46-47
AC3106/4106, ELECTRICAL – EMERGENCY SHUT OFF ASSEMBLY	48
AC3106/4106, ELECTRICAL – TWISTED QUAD HARNESS VT.....	49

This page is intentionally left blank

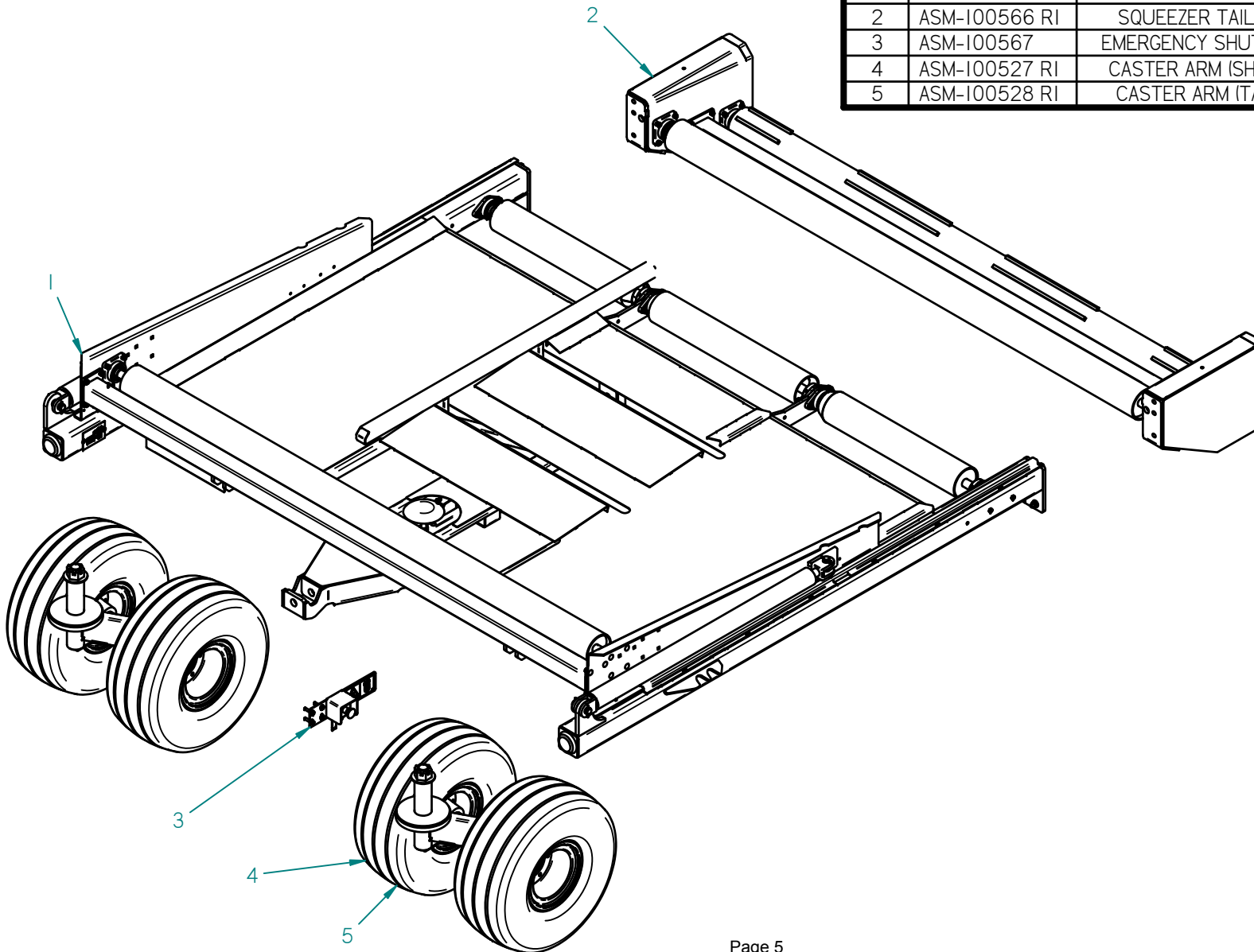
AC3106

ACCUMULATOR - STANDARD

WHG-100552

Serial # BAx2183 AND <

Item	Part NO.	Description	QTY
1	ASM-100552 RI	AC3106 ASSEMBLY	1
2	ASM-100566 RI	SQUEEZER TAIL PIECE AC3106	1
3	ASM-100567	EMERGENCY SHUT OFF ASSEMBLY	1
4	ASM-100527 RI	CASTER ARM (SHORT) ASSEMBLY	2
5	ASM-100528 RI	CASTER ARM (TALL) ASSEMBLY	2



AC3106

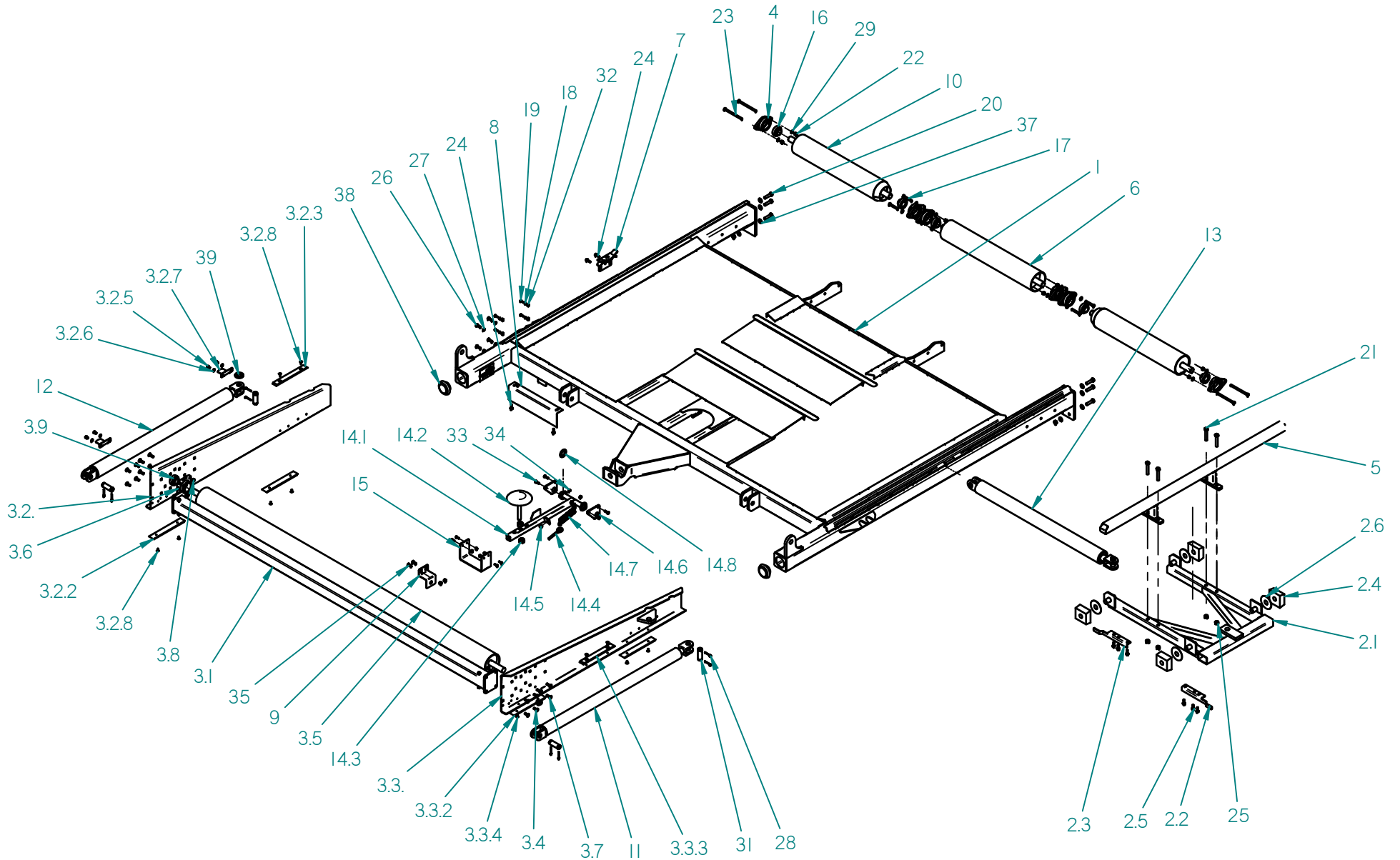
FRAME ASSEMBLY - STANDARD

ASM-100552

Serial #

BAX2183

AND <



AC3106**FRAME ASSEMBLY - STANDARD****ASM-100552**

Serial #

BAx2183

AND <

Item	Part NO.	Description	QTY	Item	Part NO.	Description	QTY
1	WLD-100575	3106 CHASSIS	1	12	HYD-100207	CYL 2.5 X 40 X 1.5 ROD MASTER	1
2	ASM-100420 RI	AC3106 SIDE SHIFT ASSY	1	13	HYD-100403	CYL 2.5 X 36, SIDE SHIFT CYLINDER	1
2.1	WLD-100401	SIDE SHIFT TRUCK	1	14	ASM-100501	ACCUMULATOR BALE SWITCH ASSY	1
2.2	STM-100564	SIDE SHIFT TRIGGER CNH SYSTEM	1	14.1	WLD-100501	ACCUMULATOR BALE SWITCH ARM	1
2.3	STM-100565	SIDE SHIFT TRIGGER CNH SYSTEM	1	14.2	WLD-100502	BALE BUTTON	1
2.4	SAW-100411	SIDE SHIFT PLASTIC SLIDER	4	14.3	FST-100117	3/4" NUT	2
2.5	FST-100263	5/16" x 1" SELF TAP	6	14.4	FST-100226	3/8" X 3" EYE BOLT	1
2.6	CMP-100766	SHIM SIDE SHIFT	5	14.5	FST-100206	3/8" LOCKNUT	1
3	ASM-100421	3106 PUSH OFF ASSY	1	14.6	PCT-100864	BALE BUTTON MTG LUG LARGE	2
3.1	WLD-100412	AC3106 PUSHOFF STABILIZER BAR	1	14.7	CMP-100145	EXTENSION SPRING (BALE BUTTON)	1
3.2	ASM-100417	PUSH OFF SIDE-RH	1	14.8	FST-100262	1" HARDENED WASHER F436	1
3.2.2	CMP-100147	PLASTIC STRIP BOTTOM	2	15	PCT-100855	BALE BUTTON SAFETY STOP	1
3.2.3	CMP-100148	PLASTIC STRIP-TOP	1	16	CMP-100109-	BEARING YET 206-104	6
3.2.5	FST-100175	5/16" X 1/2" CAP SCREW	4	17	FST-100144	3/8" X 2 1/2" CAP SCREW	4
3.2.6	FST-100138	5/16" LOCK WASHER	4	18	FST-100166	1/4" LOCK WASHER	4
3.2.7	PCT-100421	PUSH OFF TRIGGER	2	19	FST-100169	1/4" x 3/4" CAP SCREW	8
3.2.8	FST-100228	POP RIVET STEEL 3/16 X 1/2 X 5/8	6	20	FST-100420	1/2" X 2" CAP SCREW GRADE 8	6
3.3	ASM-100414	PUSH OFF SIDE-LH	1	21	FST-100193	1/2" x 3" BOLT	4
3.3.2	CMP-100147	PLASTIC STRIP BOTTOM	2	22	FST-100206	3/8" LOCKNUT	10
3.3.3	CMP-100148	PLASTIC STRIP-TOP	1	23	FST-100238	3/8" X 5 1/2" BOLT	4
3.3.4	FST-100228	POP RIVET STEEL 3/16 X 1/2 X 5/8	6	24	FST-100263	5/16" x 1" SELF TAP	4
3.4	FST-100199	3/8" X 1" CARRIAGE BOLT	8	25	FST-100356	1/2" CRIMP NUT	10
3.5	WLD-100420	AC3106 SMOOTH ROLLER	1	26	FST-100141	3/8" X 1" CAP SCREW	4
3.6	CMP-100106	F206 FLANGE BLOCK	2	27	FST-100149	3/8" LOCK WASHER	4
3.7	FST-100146	3/8" x 1 1/4" CARRIAGE BOLT	8	28	FST-100127	3/16" X 1 1/2" COTTER PIN	8
3.8	FST-100206	3/8" LOCKNUT	16	29	FST-100150	3/8" FLAT WASHER	12
3.9	CMP-100109-	BEARING YET 206-104	2	31	FST-100703	1" X 2 1/4" CYLINDER PIN USEABLE	4
4	CMP-100169	FL206 2-BOLT HOUSING	6	32	FST-100135	1/4" LOCK NUT	8
5	WLD-100513	SIDE SHIFT SHUTTLE	1	33	FST-100176	5/16" X 1" CAP SCREW	4
6	WLD-100424	CENTER ROLLER, AC3106	1	34	FST-100173	5/16" NUT	4
7	WLD-100457	PROX MOUNT BRACKET PUSH OFF	1	35	FST-100140	3/8" X 3/4" CAP SCREW	2
8	STM-100423	ACCUMULATOR MUD SHIELD	1	37	FST-100151	1/2" FLAT WASHER HARDENED	12
9	STM-100168	BALE BUTTON PROX BRACKET CNH	1	38	ELC-100473	2.5" ROUND AMBER LIGHT	2
10	WLD-100517	SIDE ROLLER, AC3106	2	39	FST-100262	1" HARDENED WASHER F436	2
11	HYD-100206	CYL 2 X 40 X 1.25 ROD SLAVE	1				

This page is intentionally left blank

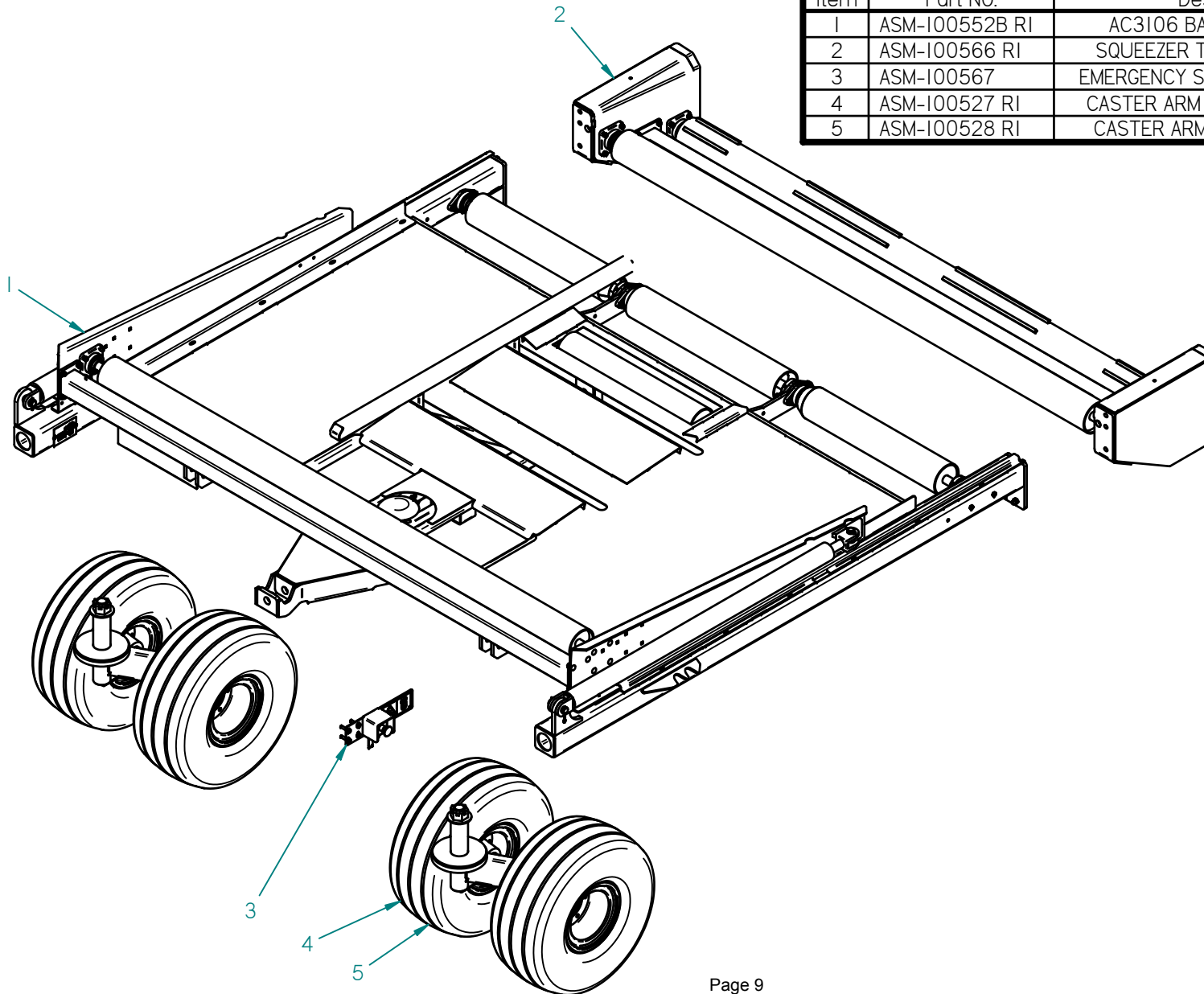
AC3106

ACCUMULATOR - BALAGE

WHG-100552B

Serial # BAx2183 AND <

Item	Part NO.	Description	QTY
1	ASM-100552B RI	AC3106 BALAGE ASSEMBLY	1
2	ASM-100566 RI	SQUEEZER TAIL PIECE AC3106	1
3	ASM-100567	EMERGENCY SHUT OFF ASSEMBLY	1
4	ASM-100527 RI	CASTER ARM (SHORT) ASSEMBLY	2
5	ASM-100528 RI	CASTER ARM (TALL) ASSEMBLY	2



AC3106

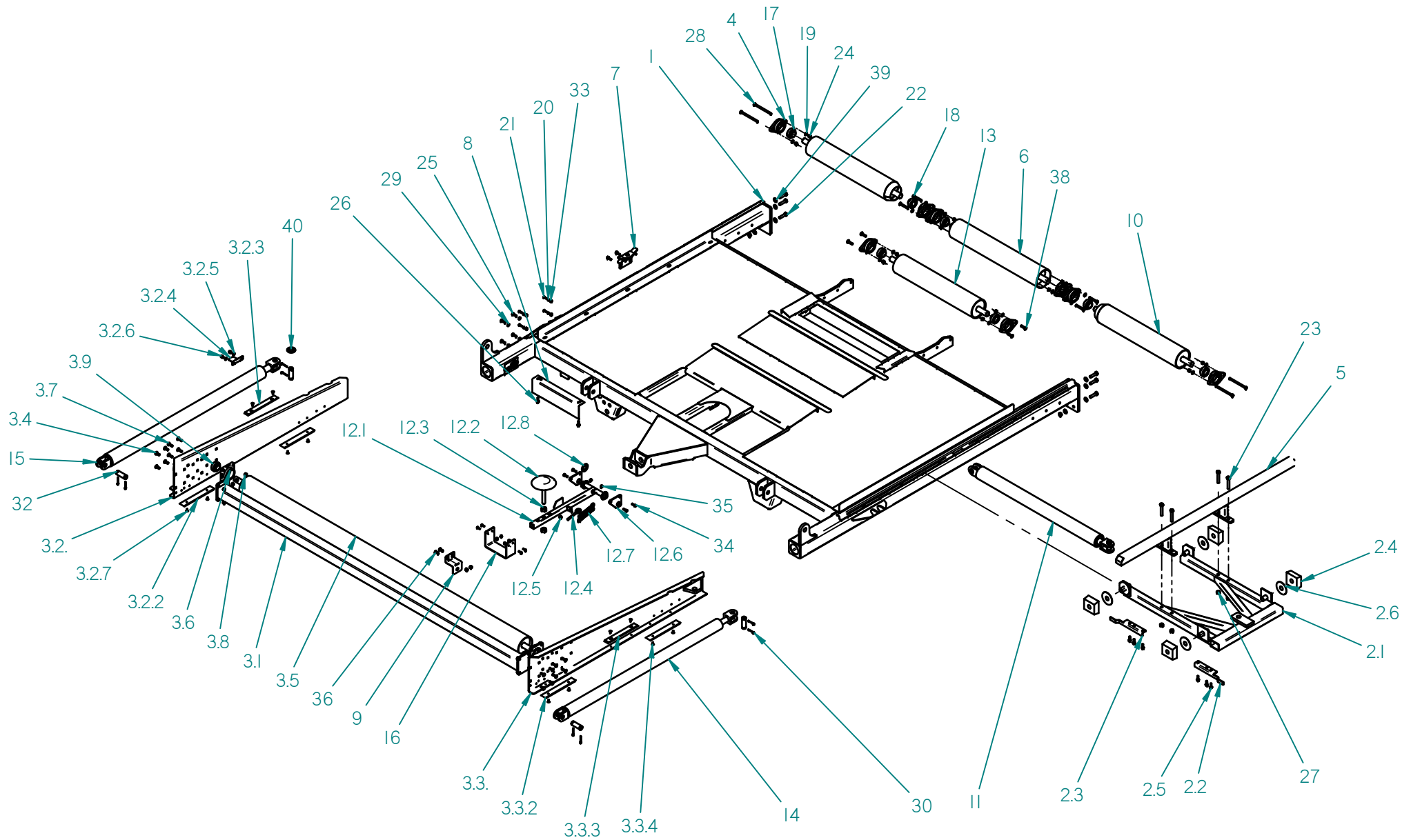
FRAME ASSEMBLY - BALAGE

ASM-100552B

Serial #

BAX2183

AND <



AC3106**FRAME ASSEMBLY - BALAGE****ASM-100552B**

Serial #

BAx2183

AND <

Item	Part NO.	Description	QTY	Item	Part NO.	Description	QTY
1	WLD-100575B	AC3106 BALAGE CHASSIS	1	12	ASM-100501	ACCUMULATOR BALE SWITCH ASSY	1
2	ASM-100420 RI	AC3106 SIDE SHIFT ASSY	1	12.1	WLD-100501	ACCUMULATOR BALE SWITCH ARM	1
2.1	WLD-100401	SIDE SHIFT TRUCK	1	12.2	WLD-100502	BALE BUTTON	1
2.2	STM-100564	SIDE SHIFT TRIGGER CNH SYSTEM	1	12.3	FST-100117	3/4" NUT	2
2.3	STM-100565	SIDE SHIFT TRIGGER CNH SYSTEM	1	12.4	FST-100226	3/8" X 3" EYE BOLT	1
2.4	SAW-100411	SIDE SHIFT PLASTIC SLIDER	4	12.5	FST-100206	3/8" LOCKNUT	1
2.5	FST-100263	5/16" x 1" SELF TAP	6	12.6	PCT-100864	BALE BUTTON MTG LUG LARGE	2
2.6	CMP-100766	SHIM SIDE SHIFT	5	12.7	CMP-100145	EXTENSION SPRING (BALE BUTTON)	1
3	ASM-100425 RI	AC3106 PUSH OFF ASSY (48")	1	12.8	FST-100262	1" HARDENED WASHER F436	1
3.1	WLD-100412	AC3106 PUSHOFF STABILIZER BAR	1	13	WLD-100516	AC3102 CENTER BALAGE ROLLER	1
3.2	ASM-100415	PUSH OFF SIDE (R) 48" MODELS	1	14	HYD-100401	CYL 2 X 48 X 1.25 ROD SLAVE	1
3.2.2	CMP-100147	PLASTIC STRIP BOTTOM	2	15	HYD-100402	CYL 2.5 X 48 X 1.5 ROD MASTER	1
3.2.3	CMP-100148	PLASTIC STRIP-TOP	1	16	PCT-100855	BALE BUTTON SAFETY STOP	1
3.2.4	PCT-100421	PUSH OFF TRIGGER	2	17	CMP-100109-	BEARING YET 206-104	8
3.2.5	FST-100138	5/16" LOCK WASHER	4	18	FST-100144	3/8" X 2 1/2" CAP SCREW	4
3.2.6	FST-100175	5/16" X 1/2" CAP SCREW	4	19	FST-100150	3/8" FLAT WASHER	16
3.2.7	FST-100228	POP RIVET STEEL 3/16 X 1/2 X 5/8	6	20	FST-100166	1/4" LOCK WASHER	4
3.3	ASM-100419	PUSH OFF SIDE (L) 48" MODELS	1	21	FST-100169	1/4" x 3/4" CAP SCREW	8
3.3.2	CMP-100147	PLASTIC STRIP BOTTOM	2	22	FST-100420	1/2" X 2" CAP SCREW GRADE 8	6
3.3.3	CMP-100148	PLASTIC STRIP-TOP	1	23	FST-100193	1/2" x 3" BOLT	4
3.3.4	FST-100228	POP RIVET STEEL 3/16 X 1/2 X 5/8	6	24	FST-100206	3/8" LOCKNUT	14
3.4	FST-100199	3/8" X 1" CARRIAGE BOLT	8	25	FST-100141	3/8" X 1" CAP SCREW	4
3.5	WLD-100420	AC3106 SMOOTH ROLLER	1	26	FST-100263	5/16" x 1" SELF TAP	4
3.6	CMP-100106	F206 FLANGE BLOCK	2	27	FST-100356	1/2" CRIMP NUT	10
3.7	FST-100146	3/8" x 1 1/4" CARRIAGE BOLT	8	28	FST-100238	3/8" X 5 1/2" BOLT	4
3.8	FST-100206	3/8" LOCKNUT	16	29	FST-100149	3/8" LOCK WASHER	4
3.9	CMP-100109-	BEARING YET 206-104	2	30	FST-100127	3/16" X 1 1/2" COTTER PIN	8
4	CMP-100169	FL206 2-BOLT HOUSING	8	32	FST-100703	1" X 2 1/4" CYLINDER PIN USEABLE	4
5	WLD-100513	SIDE SHIFT SHUTTLE	1	33	FST-100135	1/4" LOCK NUT	8
6	WLD-100424	CENTER ROLLER, AC3106	1	34	FST-100176	5/16" X 1" CAP SCREW	4
7	WLD-100457	PROX MOUNT BRACKET PUSH OFF	1	35	FST-100173	5/16" NUT	4
8	STM-100423	ACCUMULATOR MUD SHIELD	1	36	FST-100140	3/8" X 3/4" CAP SCREW	2
9	STM-100168	BALE BUTTON PROX BRACKET CNH	1	38	FST-100147	3/8" X 1 1/2" CARRIAGE BOLT	4
10	WLD-100517	SIDE ROLLER, AC3106	2	39	FST-100151	1/2" FLAT WASHER HARDENED	12
11	HYD-100403	CYL 2.5 X 36, SIDE SHIFT CYLINDER	1	40	FST-100262	1" HARDENED WASHER F436	2

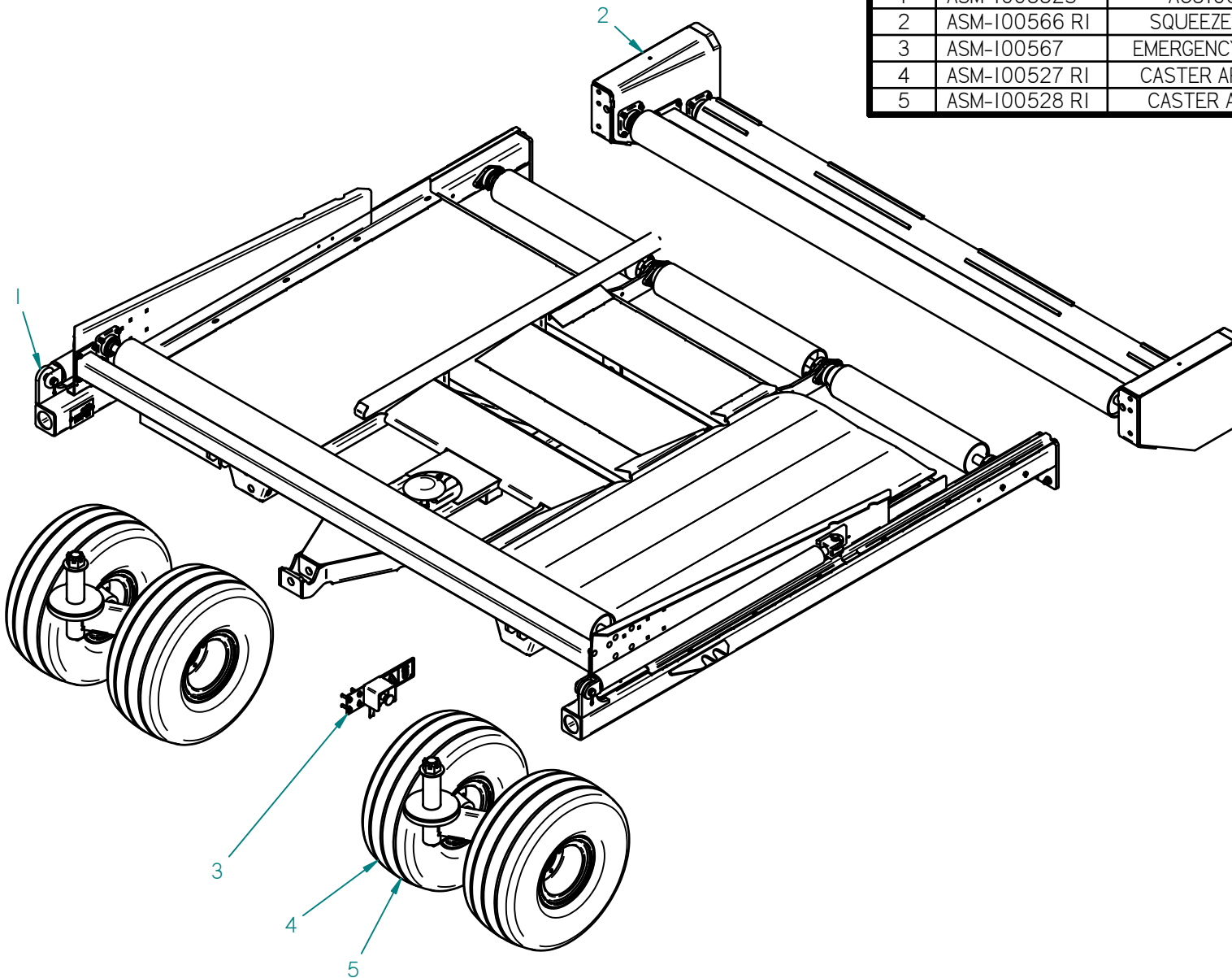
AC3106

ACCUMULATOR - SCALE

WHG-10052S

Serial # BAx2183 AND <

Item	Part NO.	Description	QTY
1	ASM-100552S	AC3106 SCALE ASSEMBLY	1
2	ASM-100566 RI	SQUEEZER TAIL PIECE AC3106	1
3	ASM-100567	EMERGENCY SHUT OFF ASSEMBLY	1
4	ASM-100527 RI	CASTER ARM (SHORT) ASSEMBLY	2
5	ASM-100528 RI	CASTER ARM (TALL) ASSEMBLY	2



AC3106

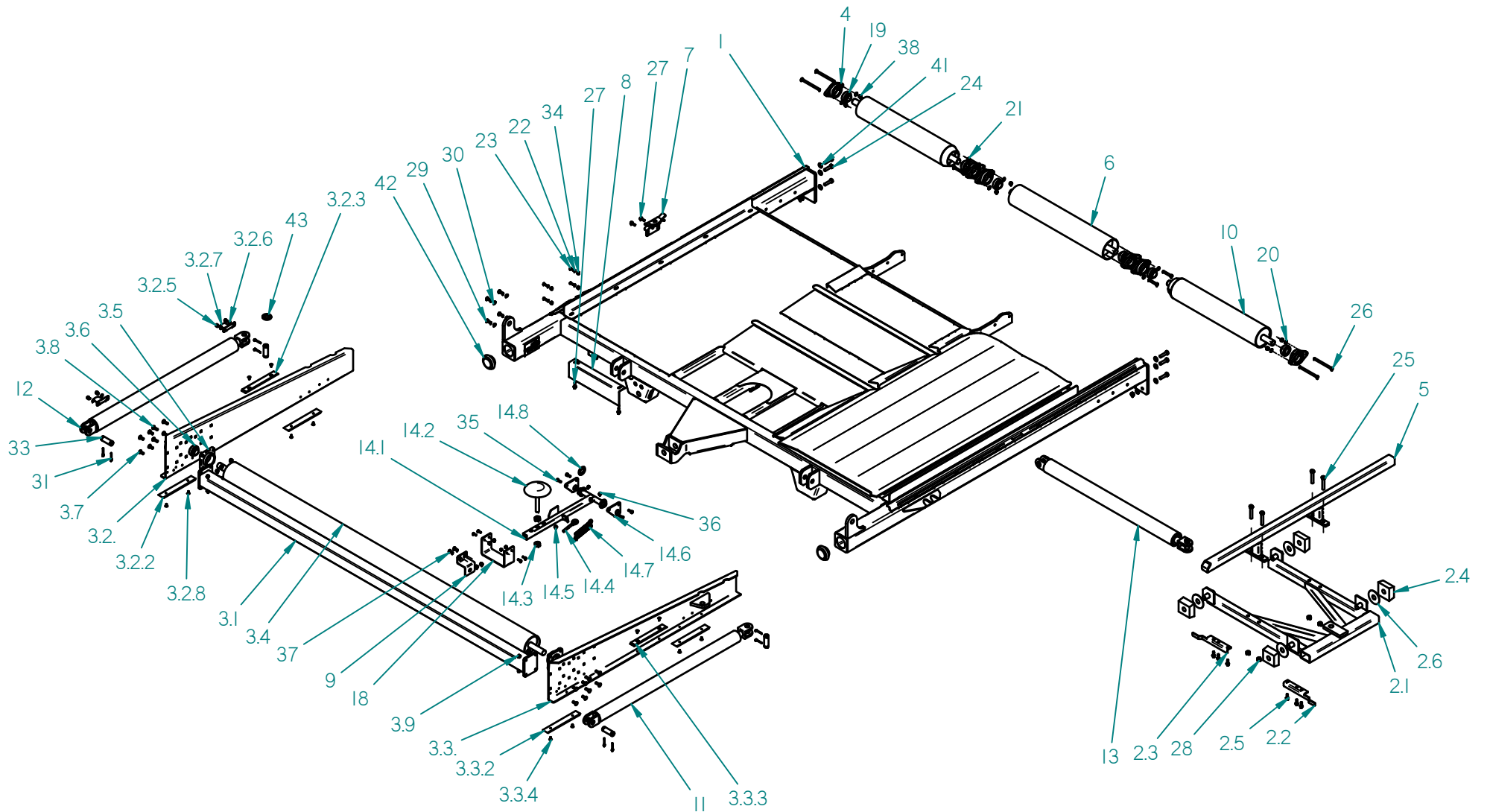
FRAME ASSEMBLY - SCALE

ASM-10052S

Serial #

BAX2183

AND <



AC3106

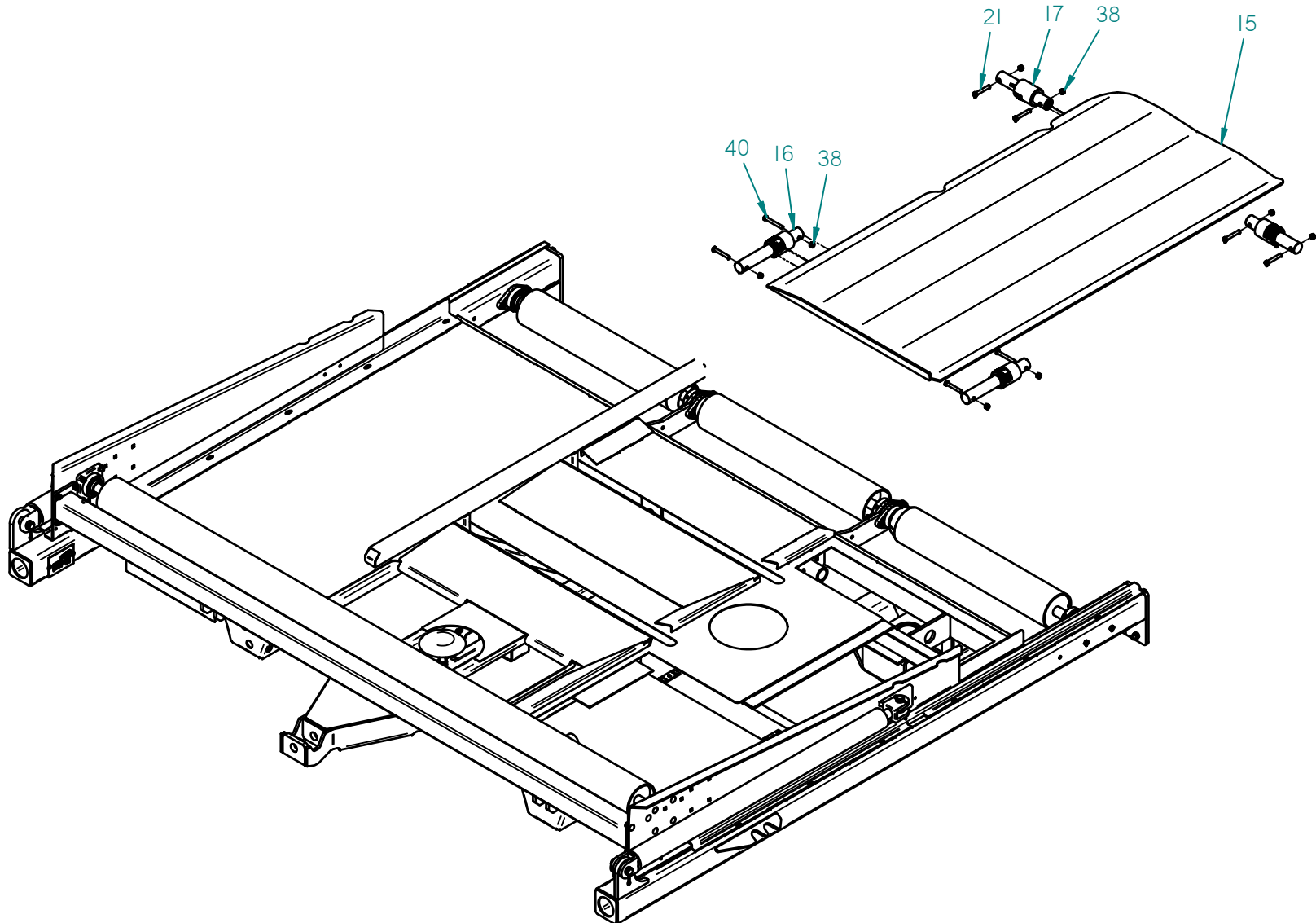
FRAME ASSEMBLY - SCALE

ASM-100552S

Serial #

BAX2183

AND <



AC3106

FRAME ASSEMBLY - SCALE

ASM-10052S

Serial #

BAX2183

AND <

Item	Part NO.	Description	QTY	Item	Part NO.	Description	QTY
1	WLD-100575S	AC3106 SCALE CHASSIS	1	14	ASM-100501	ACCUMULATOR BALE SWITCH ASSY	1
2	ASM-100420 RI	AC3106 SIDE SHIFT ASSY	1	14.1	WLD-100501	ACCUMULATOR BALE SWITCH ARM	1
2.1	WLD-100401	SIDE SHIFT TRUCK	1	14.2	WLD-100502	BALE BUTTON	1
2.2	STM-100564	SIDE SHIFT TRIGGER CNH SYSTEM	1	14.3	FST-100117	3/4" NUT	2
2.3	STM-100565	SIDE SHIFT TRIGGER CNH SYSTEM	1	14.4	FST-100226	3/8" X 3" EYE BOLT	1
2.4	SAW-100411	SIDE SHIFT PLASTIC SLIDER	4	14.5	FST-100206	3/8" LOCKNUT	1
2.5	FST-100263	5/16" x 1" SELF TAP	6	14.6	PCT-100864	BALE BUTTON MTG LUG LARGE	2
2.6	CMP-100766	SHIM SIDE SHIFT	5	14.7	CMP-100145	EXTENSION SPRING (BALE BUTTON)	1
3	ASM-100421 RI	AC3106 PUSH OFF ASSY	1	14.8	FST-100262	1" HARDENED WASHER F436	1
3.1	WLD-100412	AC3106 PUSHOFF STABILIZER BAR	1	15	WLD-100471	BALE SCALE DECK 3'	1
3.2	ASM-100417	PUSH OFF SIDE-RH	1	16	ELC-100321	LOAD CELL (DIGI-STAR)	2
3.2.2	CMP-100147	PLASTIC STRIP BOTTOM	2	17	ELC-100324	LOAD CELL (DIGI-STAR) SHORTENED	2
3.2.3	CMP-100148	PLASTIC STRIP-TOP	1	18	PCT-100855	BALE BUTTON SAFETY STOP	1
3.2.5	FST-100175	5/16" X 1/2" CAP SCREW	4	19	CMP-100109-	BEARING YET 206-104	6
3.2.6	FST-100138	5/16" LOCK WASHER	4	20	FST-100150	3/8" FLAT WASHER	12
3.2.7	PCT-100421	PUSH OFF TRIGGER	2	21	FST-100144	3/8" X 2 1/2" CAP SCREW	10
3.2.8	FST-100228	POP RIVET STEEL 3/16 X 1/2 X 5/8	6	22	FST-100166	1/4" LOCK WASHER	4
3.3	ASM-100414	PUSH OFF SIDE-LH	1	23	FST-100169	1/4" x 3/4" CAP SCREW	8
3.3.2	CMP-100147	PLASTIC STRIP BOTTOM	2	24	FST-100420	1/2" X 2" CAP SCREW GRADE 8	6
3.3.3	CMP-100148	PLASTIC STRIP-TOP	1	25	FST-100193	1/2" x 3" BOLT	4
3.3.4	FST-100228	POP RIVET STEEL 3/16 X 1/2 X 5/8	6	26	FST-100238	3/8" X 5 1/2" BOLT	4
3.4	WLD-100420	AC3106 SMOOTH ROLLER	1	27	FST-100263	5/16" x 1" SELF TAP	4
3.5	CMP-100106	F206 FLANGE BLOCK	2	28	FST-100356	1/2" CRIMP NUT	10
3.6	CMP-100109-	BEARING YET 206-104	2	29	FST-100141	3/8" X 1" CAP SCREW	4
3.7	FST-100199	3/8" X 1" CARRIAGE BOLT	8	30	FST-100149	3/8" LOCK WASHER	4
3.8	FST-100146	3/8" x 1 1/4" CARRIAGE BOLT	8	31	FST-100127	3/16" X 1 1/2" COTTER PIN	8
3.9	FST-100206	3/8" LOCKNUT	16	33	FST-100703	1" X 2 1/4" CYLINDER PIN USEABLE	4
4	CMP-100169	FL206 2-BOLT HOUSING	6	34	FST-100135	1/4" LOCK NUT	8
5	WLD-100513	SIDE SHIFT SHUTTLE	1	35	FST-100176	5/16" X 1" CAP SCREW	4
6	WLD-100424	CENTER ROLLER, AC3106	1	36	FST-100173	5/16" NUT	4
7	WLD-100457	PROX MOUNT BRACKET PUSH OFF	1	37	FST-100140	3/8" X 3/4" CAP SCREW	2
8	STM-100423	ACCUMULATOR MUD SHIELD	1	38	FST-100206	3/8" LOCKNUT	18
9	STM-100168	BALE BUTTON PROX BRACKET	1	40	FST-100182	3/8" X 3" CAP SCREW	2
10	WLD-100517	SIDE ROLLER, AC3106	2	41	FST-100151	1/2" FLAT WASHER HARDENED	12
11	HYD-100206	CYL 2 X 40 X 1.25 ROD SLAVE	1	42	ELC-100473	2.5" ROUND AMBER LIGHT	2
12	HYD-100207	CYL 2.5 X 40 X 1.5 ROD MASTER	1	43	FST-100262	1" HARDENED WASHER F436	2
13	HYD-100403	CYL 2.5 X 36, SIDE SHIFT CYLINDER	1				

This page is intentionally left blank

AC3106

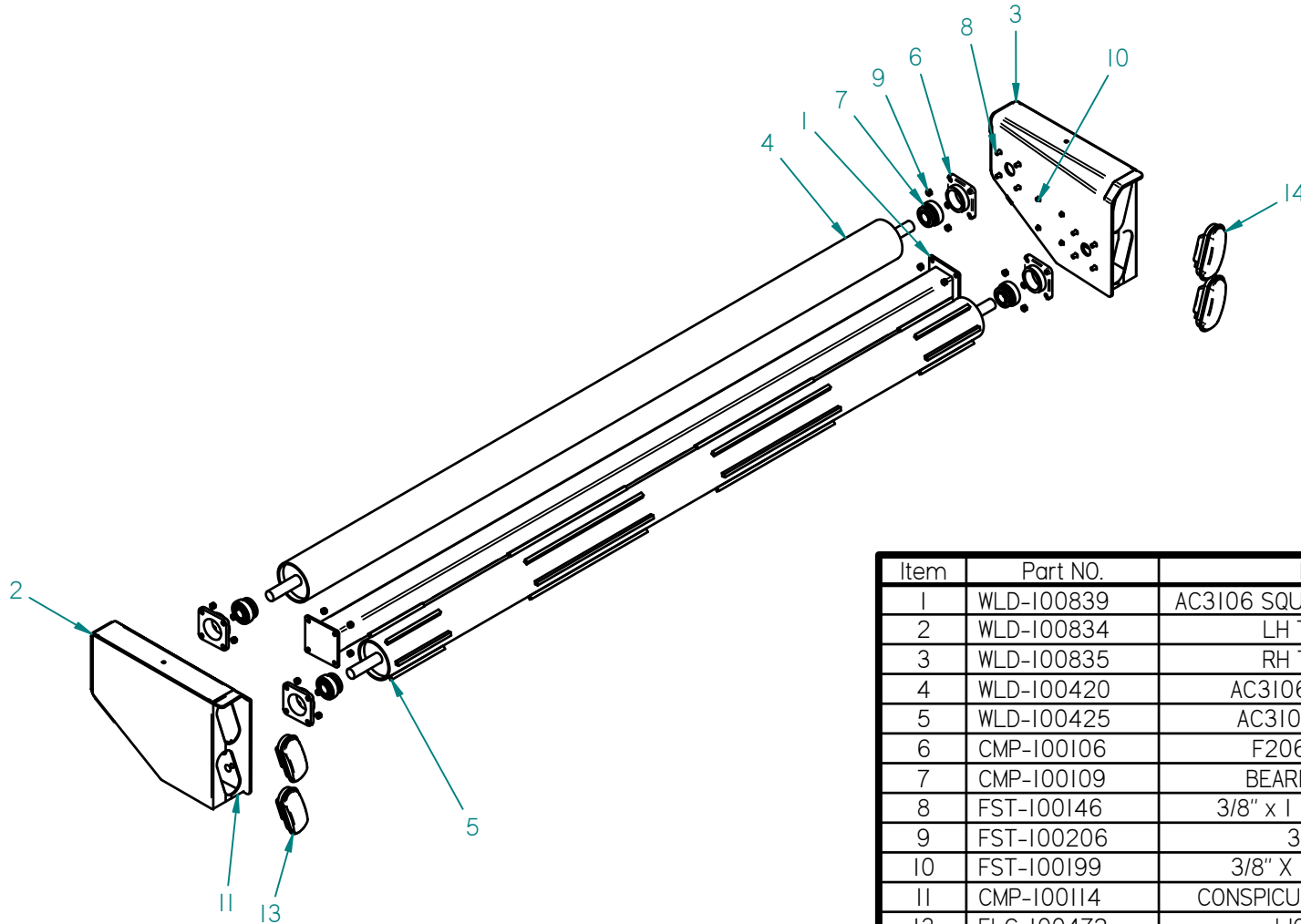
TAIL PIECE ASSEMBLY

ASM-100566

Serial #

BAX2183

AND <



Item	Part NO.	Description	QTY
1	WLD-100839	AC3106 SQUEEZER TAIL PIECE TUBE	1
2	WLD-100834	LH TAIL PIECE SIDE	1
3	WLD-100835	RH TAIL PIECE SIDE	1
4	WLD-100420	AC3106 SMOOTH ROLLER	1
5	WLD-100425	AC3106 RIBBED ROLLER	1
6	CMP-100106	F206 FLANGE BLOCK	4
7	CMP-100109	BEARING YET 206-104	4
8	FST-100146	3/8" x 1 1/4" CARRIAGE BOLT	16
9	FST-100206	3/8" LOCKNUT	24
10	FST-100199	3/8" X 1" CARRIAGE BOLT	8
11	CMP-100114	CONSPICUITY TAPE - SOLID RED	29.5"
13	ELC-100472	LIGHT, OVAL RED	2
14	ELC-100471	LIGHT, OVAL AMBER	2

AC3106

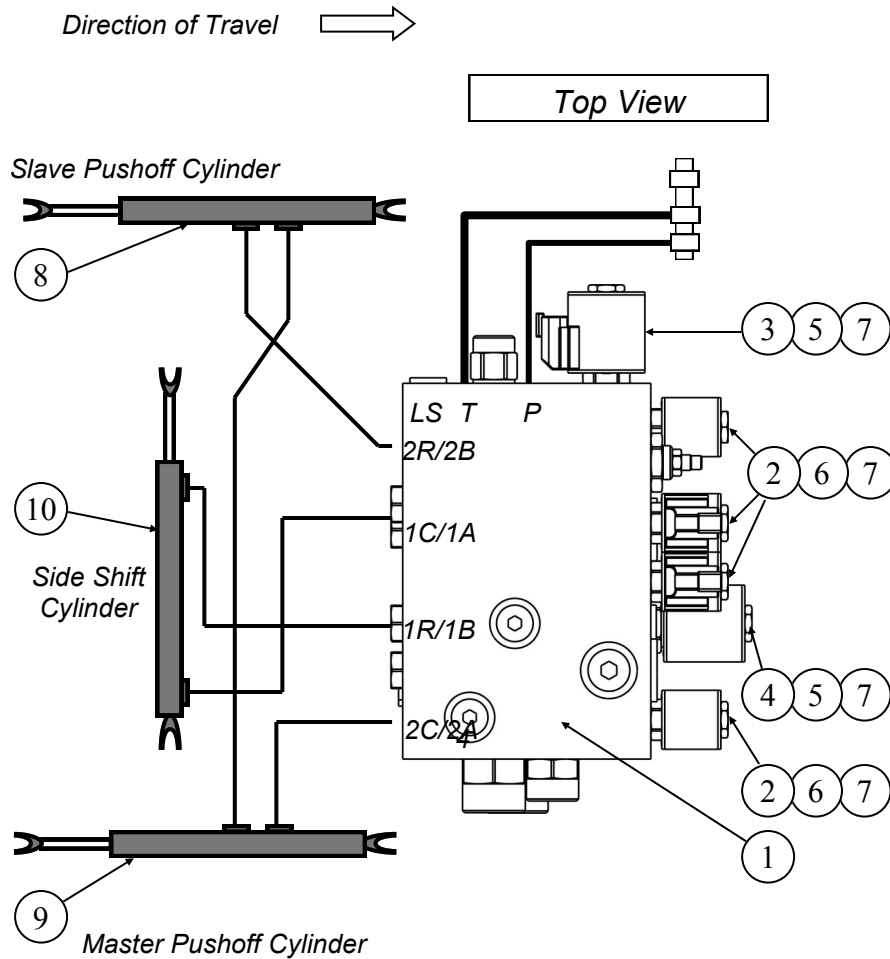
HYDRAULIC PACKAGE, VALVE

ASM-100427

Page 1 of 4

Serial # BAX2195 AND<

Serial #'s BAx2183 to BAx2194, call PhiBer Parts Dept for info. 204.873.2448



ITEM	PART NO.	DESCRIPTION	QTY
1	HYD-100490	HYDRAULIC VALVE HF87180-13 / 5959734	1
2	HYD-100597	SOLENOID VALVE SV08	4
3	HYD-100596	SOLENOID VALVE SV10	1
4	HYD-100595	SOLENOID VALVE SV12	1
5	HYD-100598	COIL 4303712	2
6	HYD-100599	COIL 4303612	4
7	HYD-100430	COIL RETAINING NUT	6
8	HYD-100206	PUSH OFF CYLINDER, SLAVE 40" stroke	1
	HYD-100401	PUSH OFF CYLINDER, SLAVE 48" stroke	
	HYD-100606	SEAL KIT, PUSH OFF CYL, SLAVE (core)	1
9	HYD-100207	PUSH OFF CYLINDER, MASTER 40" stroke	1
	HYD-100402	PUSH OFF CYLINDER, MASTER 48" stroke	
	HYD-100607	SEAL KIT, PUSH OFF CYL, MASTER (core)	1
10	HYD-100403	SIDE SHIFT CYLINDER AC3106	1
	HYD-100404	SEAL KIT, SIDE SHIFT CYL AC3106	1
	HYD-100322	ORB O-RING SEAL KIT, HYD VALVE	1

AC3106

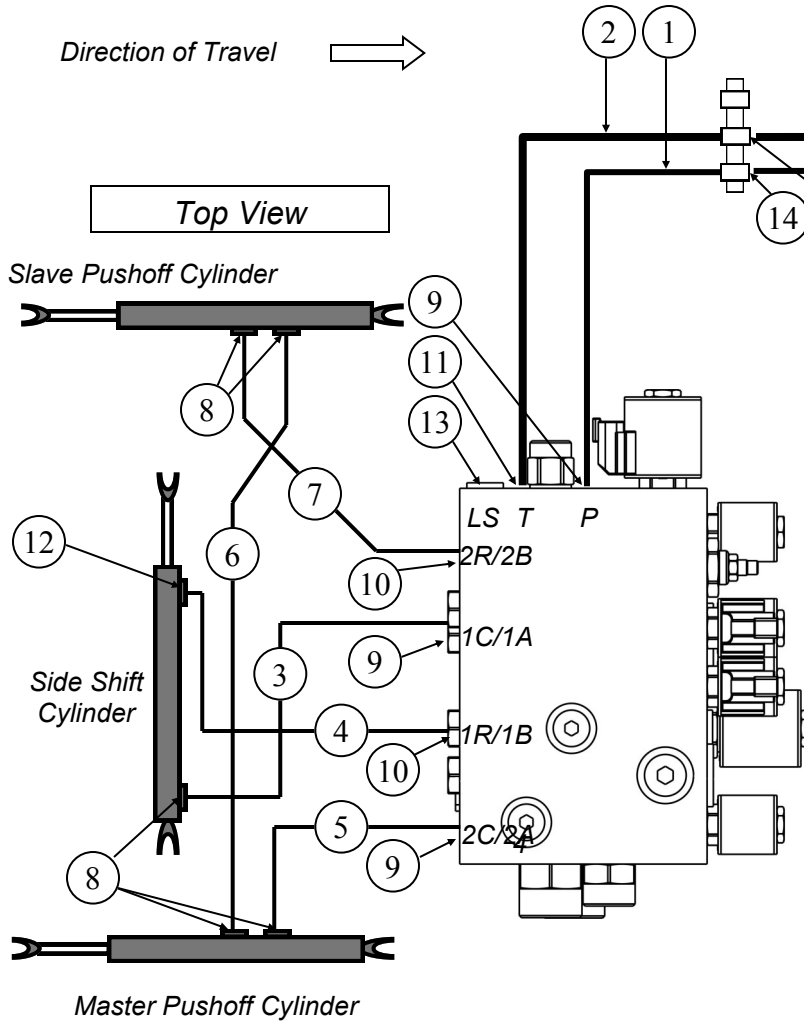
HYDRAULIC PACKAGE, HOSES & FITTINGS

ASM-100427

Page 2 of 4

Serial # BAX2195 AND<

Serial #'s Bax2183 to Bax2194, call PhiBer Parts Dept for info. 204.873.2448



ITEM	PART NO.	DESCRIPTION	QTY
1	HYD-100580	MAIN PRESSURE HOSE AC3106 / 4106	1
2	HYD-100581	RETURN HOSE AC3106 / 4106	1
3	HYD-100584	SIDE SHIFT HOSE cap end AC3106	1
4	HYD-100585	SIDE SHIFT HOSE rod end AC3106	1
5	HYD-100586	PUSH OFF HOSE master cap end AC3106	1
6	HYD-100587	PUSH OFF HOSE master to slave AC3106	1
7	HYD-100588	PUSH OFF HOSE slave rod end to return AC3106	1
8	HYD-100334	6400-08-08 ADAPTER, MALE JIC to MALE ORB	5
9	HYD-100534	6400-08-10 ADAPTER, MALE JIC to MALE ORB	3
10	HYD-100578	6400-08-12 ADAPTER, MALE JIC to MALE ORB	2
11	HYD-100389	6400-10-12 ADAPTER, MALE JIC to MALE ORB	1
12	HYD-100337	6801-08-08 ELBOW 90*, MALE ORB to MALE JIC	1
13	HYD-100173	6408HHP-08 PLUG, HOLLOW HEX, ORB	1
14	HYD-100392	2700-08-08 BULKHEAD, MALE JIC	1
	HYD-100530	0304-C-08 (CAP, JIC)	1
15	HYD-100393	2700-12-12 BULKHEAD, MALE JIC	1
	HYD-100579	0304-C-10 (CAP, JIC)	1

Table Continued

AC3106

HYDRAULIC PACKAGE, HOSES & FITTINGS

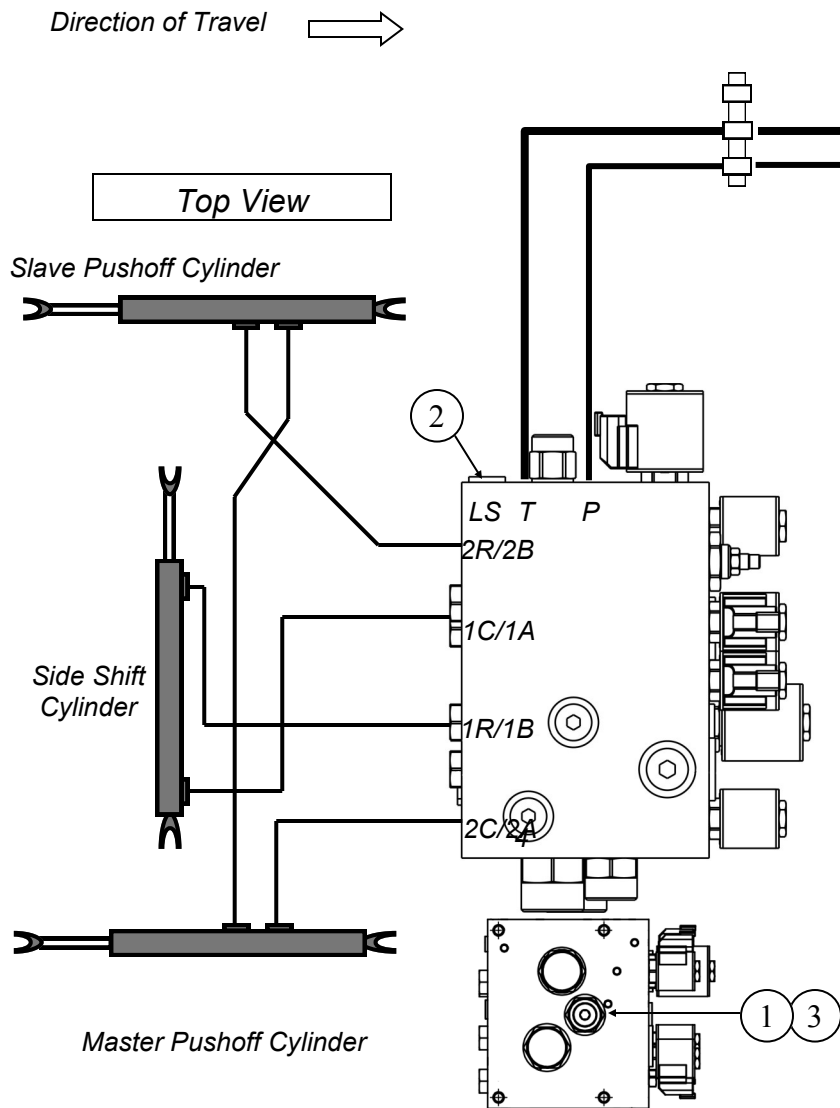
ASM-100427

Page 3 of 4

Serial # BAX2195 AND<

Serial #'s BAx2183 to BAx2194, call PhiBer Parts Dept for info. 204.873.2448

ITEM	PART NO.	DESCRIPTION	QTY
16	KIT-100413	HOSE KIT acc. to tractor 35'	
	HYD-100650	MAIN PRESSURE HOSE acc to tractor 35'	1
	HYD-100651	RETURN HOSE acc. to tractor 35'	1
16	KIT-100421	HOSE KIT acc. to tractor 38'	
	HYD-100652	MAIN PRESSURE HOSE acc. to tractor 38'	1
	HYD-100653	RETURN HOSE acc. to tractor 38'	1
	HOSE KIT FITTINGS AND ACCESSORIES		
	CMP-100767	HOSE CONTAINMENT	3
	CMP-100768	HOSE CONTAINMENT PLATE	3
	HYD-100624	PIONEER FREE FLOW RETURN TIP (PARKER)	1
	HYD-100487	PIONEER TIP (male) 1/2" ORB	1
	HYD-100334	6400-08-08 ADAPTER, MALE JIC to MALE ORB	1
	HYD-100625	6400-12-08 ADAPTER MALE JIC to MALE ORB	1
	HYD-100496	1516-12-08 MALE NPT-- MALE JIC optional	1
	HYD-100497	1516-12-12 MALE NPT-- MALE JIC optional	1
	HYD-100488	JIC PLASTIC PLUG 08	1
	HYD-100499	JIC PLASTIC PLUG 12	1
	FST-100172	1/4" X 3" CAP SCREW	3
	FST-100135	1/4" LOCK NUT	3
	FST-100214	CABLE TIE 14" 120LB BLACK	15



ITEM	PART NO.	DESCRIPTION	QTY
		STANDARD OPTION - OPEN CENTER	
1	HYD-100604	HYDRAFORCE PRESSURE COMPENSATOR	1
2	HYD-100173	6408HHP-08 PLUG, HOLLOW HEX, ORB	1
		OPTION - CLOSED CENTER	
3	HYD-100600	HYDRAFORCE CAVITY PLUG	1

This page is intentionally left blank

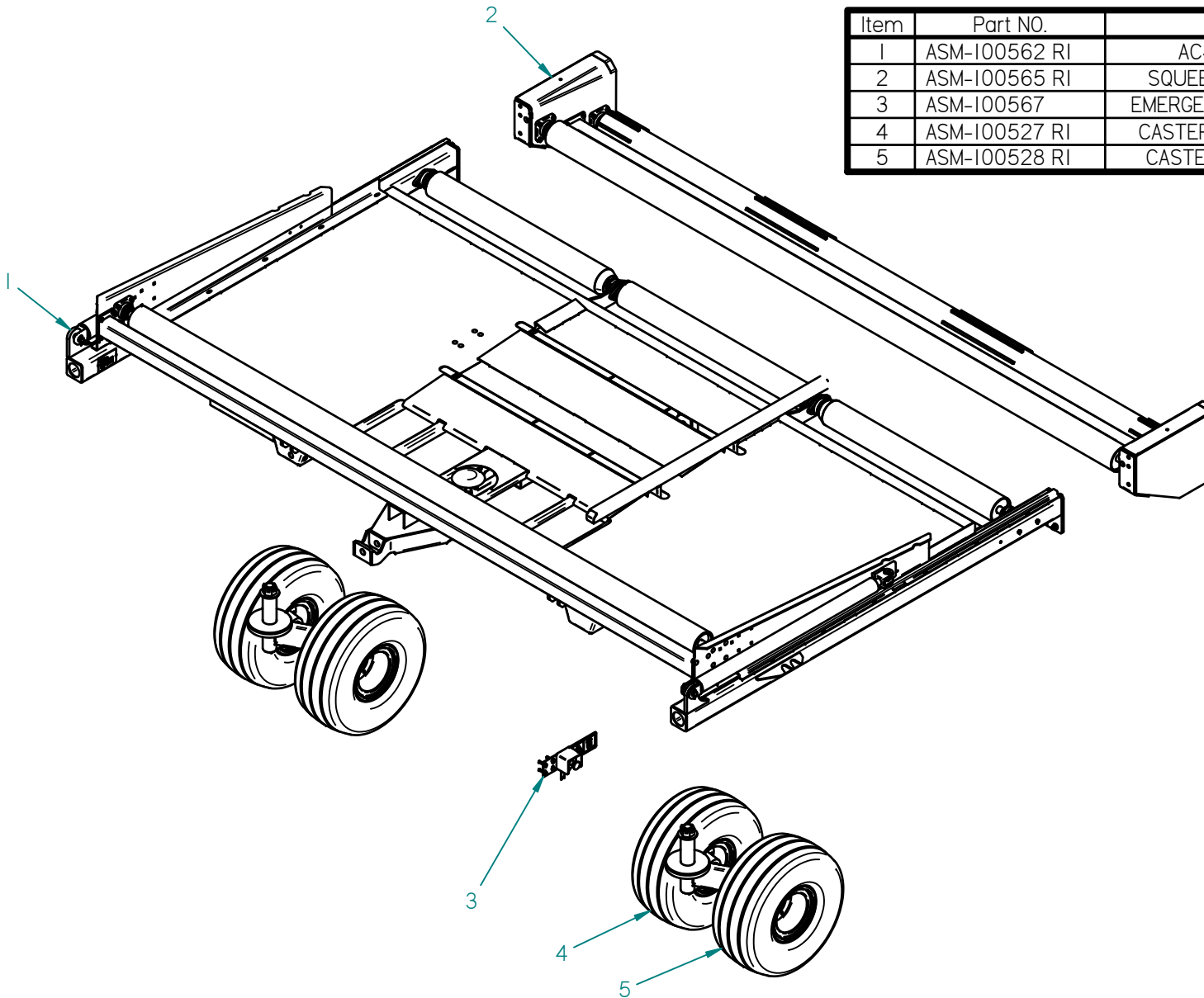
AC4106

ACCUMULATOR - STANDARD

WHG-100562

Serial # BAx2183 AND <

Item	Part NO.	Description	QTY
1	ASM-100562 RI	AC4106 ACCUMULATOR	1
2	ASM-100565 RI	SQUEEZER TAIL PIECE AC4106	1
3	ASM-100567	EMERGENCY SHUT OFF ASSEMBLY	1
4	ASM-100527 RI	CASTER ARM (SHORT) ASSEMBLY	2
5	ASM-100528 RI	CASTER ARM (TALL) ASSEMBLY	2



AC4106

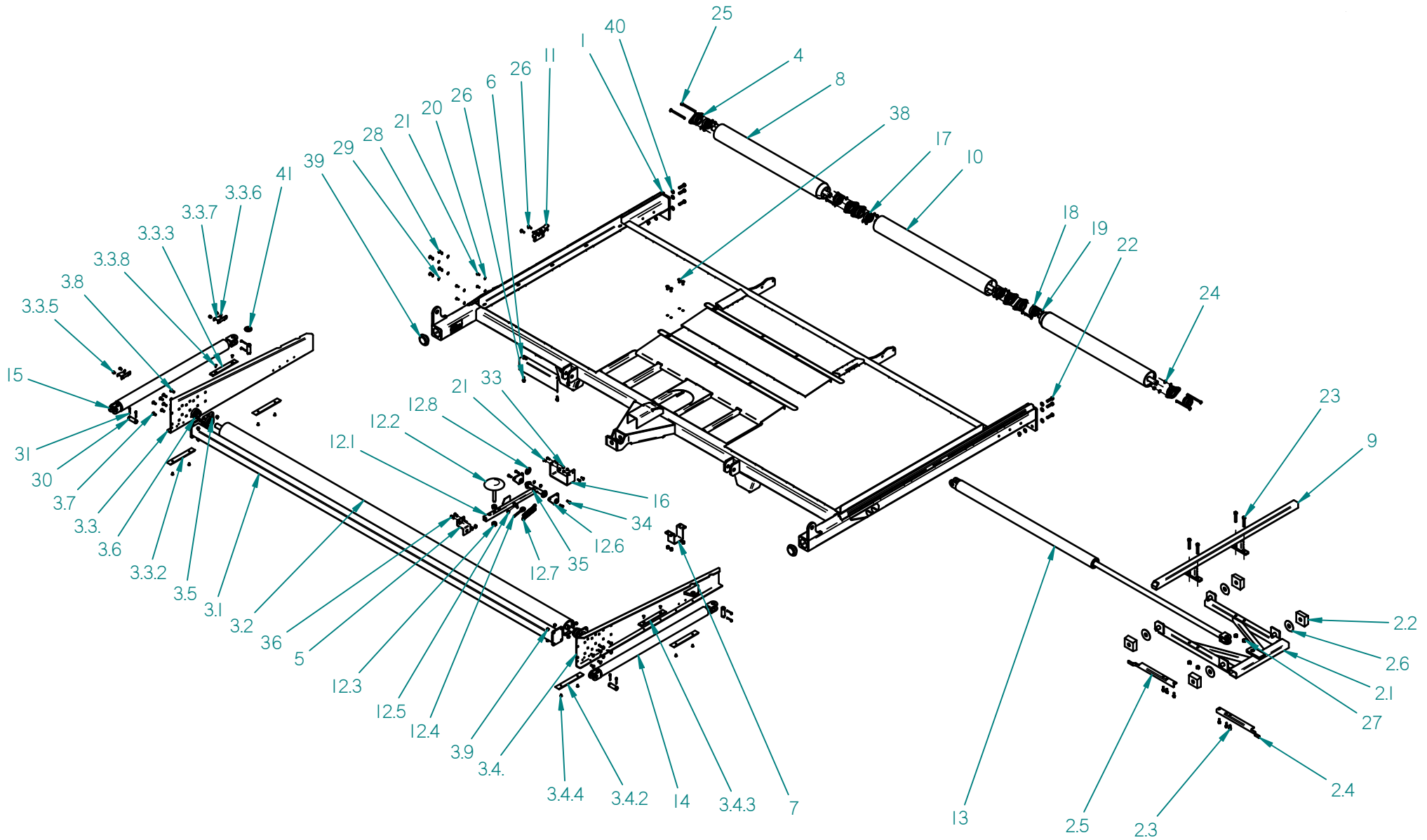
FRAME ASSEMBLY - STANDARD

ASM-100562

Serial #

BAX2183

AND <



Item	Part NO.	Description	QTY	Item	Part NO.	Description	QTY
1	WLD-100585 RI	AC4106 CHASSIS	1	12.1	WLD-100501	ACCUMULATOR BALE SWITCH ARM	1
2	ASM-100418 RI	AC4106 SIDE SHIFT ASSEMBLY	1	12.2	WLD-100502	BALE BUTTON	1
2.1	Wld-100401	SIDE SHIFT TRUCK	1	12.3	FST-100117	3/4" NUT	2
2.2	SAW-100411	SIDE SHIFT PLASTIC SLIDER	4	12.4	FST-100226	3/8" X 3" EYE BOLT	1
2.3	FST-100263	5/16" x 1" SELF TAP	6	12.5	FST-100206	3/8" LOCKNUT	1
2.4	STM-100566	SIDE SHIFT TRIGGER-LH	1	12.6	PCT-100864	BALE BUTTON MTG LUG LARGE	2
2.5	STM-100567	SIDE SHIFT TRIGGER-RH	1	12.7	CMP-100145	EXTENSION SPRING (BALE BUTTON)	1
2.6	CMP-100766	SHIM SIDE SHIFT	5	12.8	FST-100262	1" HARDENED WASHER F436	1
3	ASM-100416 RI	AC4106 PUSH OFF ASSEMBLY	1	13	HYD-100225	CYL 2.75X52XI.50 ROD SIDE SHIFT	1
3.1	WLD-100437	AC4106 PUSH OFF STABILIZER BAR	1	14	HYD-100206	CYL 2 X 40 X 1.25 ROD SLAVE	1
3.2	WLD-100453BR	AC4106 PUSH OFF ROLLER	1	15	HYD-100207	CYL 2.5 X 40 X 1.5 ROD MASTER	1
3.3	ASM-100417	PUSH OFF SIDE-RH	1	16	PCT-100855	BALE BUTTON SAFETY STOP	1
3.3.2	CMP-100147	PLASTIC STRIP BOTTOM	2	17	CMP-100109	BEARING YET 206-104	6
3.3.3	CMP-100148	PLASTIC STRIP-TOP	1	18	FST-100150	3/8" FLAT WASHER	12
3.3.5	FST-100175	5/16" X 1/2" CAP SCREW	4	19	FST-100144	3/8" X 2 1/2" CAP SCREW	4
3.3.6	FST-100138	5/16" LOCK WASHER	4	20	FST-100166	1/4" LOCK WASHER	4
3.3.7	PCT-100421	PUSH OFF TRIGGER	2	21	FST-100169	1/4" x 3/4" CAP SCREW	8
3.3.8	FST-100228	POP RIVET STEEL 3/16 X 1/2 X 5/8	6	22	FST-100420	1/2" X 2" CAP SCREW GRADE 8	6
3.4	ASM-100414	PUSH OFF SIDE-LH	1	23	FST-100193	1/2" x 3" BOLT	4
3.4.2	CMP-100147	PLASTIC STRIP BOTTOM	2	24	FST-100206	3/8" LOCKNUT	14
3.4.3	CMP-100148	PLASTIC STRIP-TOP	1	25	FST-100238	3/8" X 5 1/2" BOLT	4
3.4.4	FST-100228	POP RIVET STEEL 3/16 X 1/2 X 5/8	6	26	FST-100263	5/16" x 1" SELF TAP	4
3.5	CMP-100106	F206 FLANGE BLOCK	2	27	FST-100356	1/2" CRIMP NUT	10
3.6	CMP-100109	BEARING YET 206-104	2	28	FST-100141	3/8" X 1" CAP SCREW	4
3.7	FST-100199	3/8" X 1" CARRIAGE BOLT	8	29	fst-100149	3/8" LOCK WASHER	4
3.8	FST-100146	3/8" x 1 1/4" CARRIAGE BOLT	8	30	FST-100703	1" X 2 1/4" CYLINDER PIN USEABLE	4
3.9	FST-100206	3/8" LOCKNUT	16	31	FST-100127	3/16" X 1 1/2" COTTER PIN	8
4	CMP-100169	FL206 2-BOLT HOUSING	6	33	FST-100135	1/4" LOCK NUT	4
5	STM-100168	BALE BUTTON PROX BRACKET	1	34	FST-100176	5/16" X 1" CAP SCREW	4
6	STM-100423	ACCUMULATOR MUD SHIELD	1	35	FST-100173	5/16" NUT	4
7	STM-100424	SIDE SHIFT CYLINDER SUPPORT	1	36	FST-100140	3/8" X 3/4" CAP SCREW	2
8	WLD-100442	SIDE SHORT ROLLER	2	38	FST-100199	3/8" X 1" CARRIAGE BOLT	4
9	WLD-100513	SIDE SHIFT SHUTTLE	1	39	ELC-100473	2.5" ROUND AMBER LIGHT	2
10	WLD-200639	REAR ROLLER, STACKER	1	40	FST-100151	1/2" FLAT WASHER HARDENED	12
11	WLD-100457	PROX MOUNT BRACKET PUSH OFF	1	41	FST-100262	1" HARDENED WASHER F436	2
12	ASM-100501	ACCUMULATOR BALE SWITCH ASSY	1				

This page is intentionally left blank

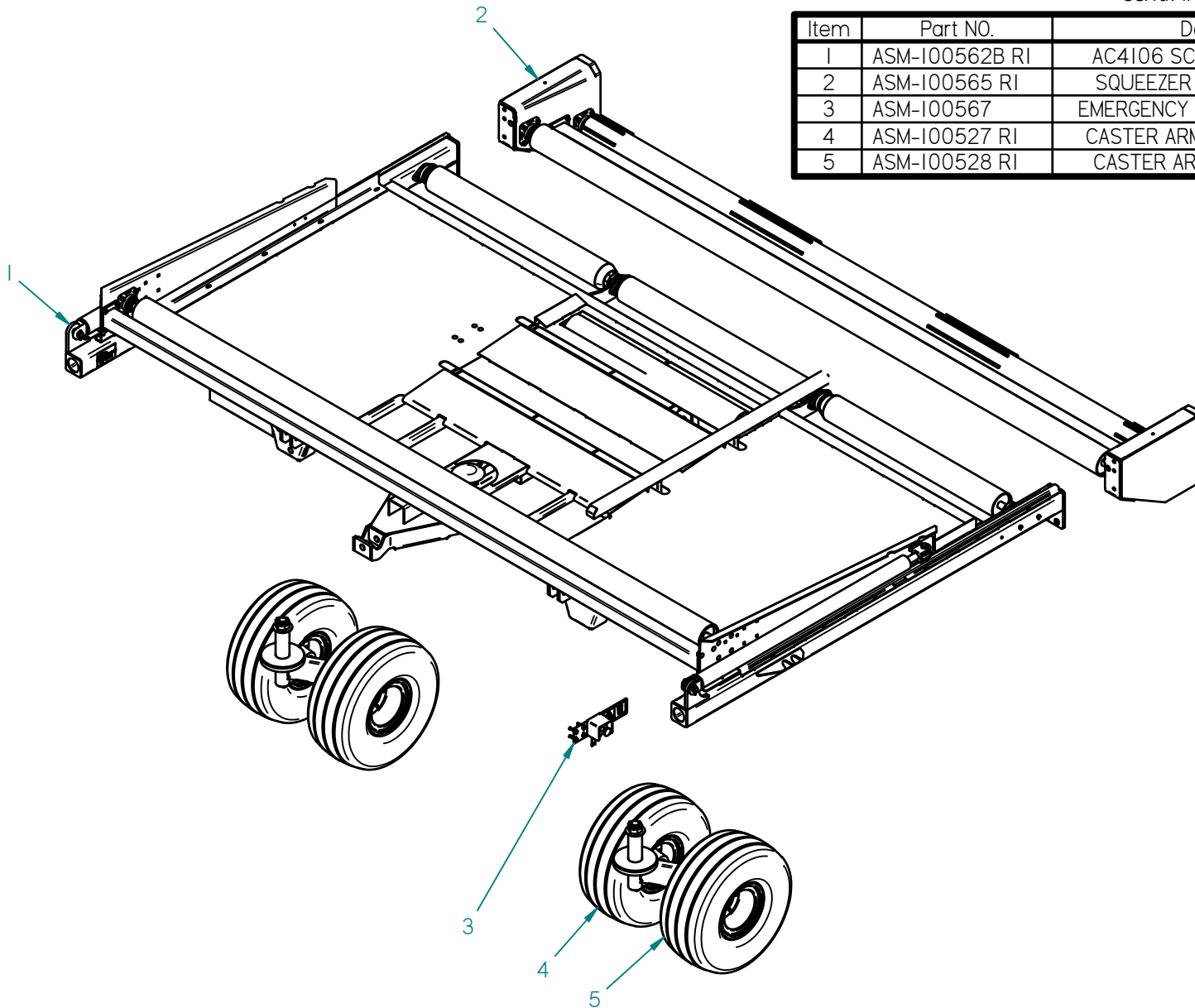
AC4106

ACCUMULATOR - BALAGE

WHG-100562B

Serial # BAx2183 AND <

Item	Part NO.	Description	QTY
1	ASM-100562B RI	AC4106 SCALE ACCUMULATOR	1
2	ASM-100565 RI	SQUEEZER TAIL PIECE AC4106	1
3	ASM-100567	EMERGENCY SHUT OFF ASSEMBLY	1
4	ASM-100527 RI	CASTER ARM (SHORT) ASSEMBLY	2
5	ASM-100528 RI	CASTER ARM (TALL) ASSEMBLY	2



AC4106

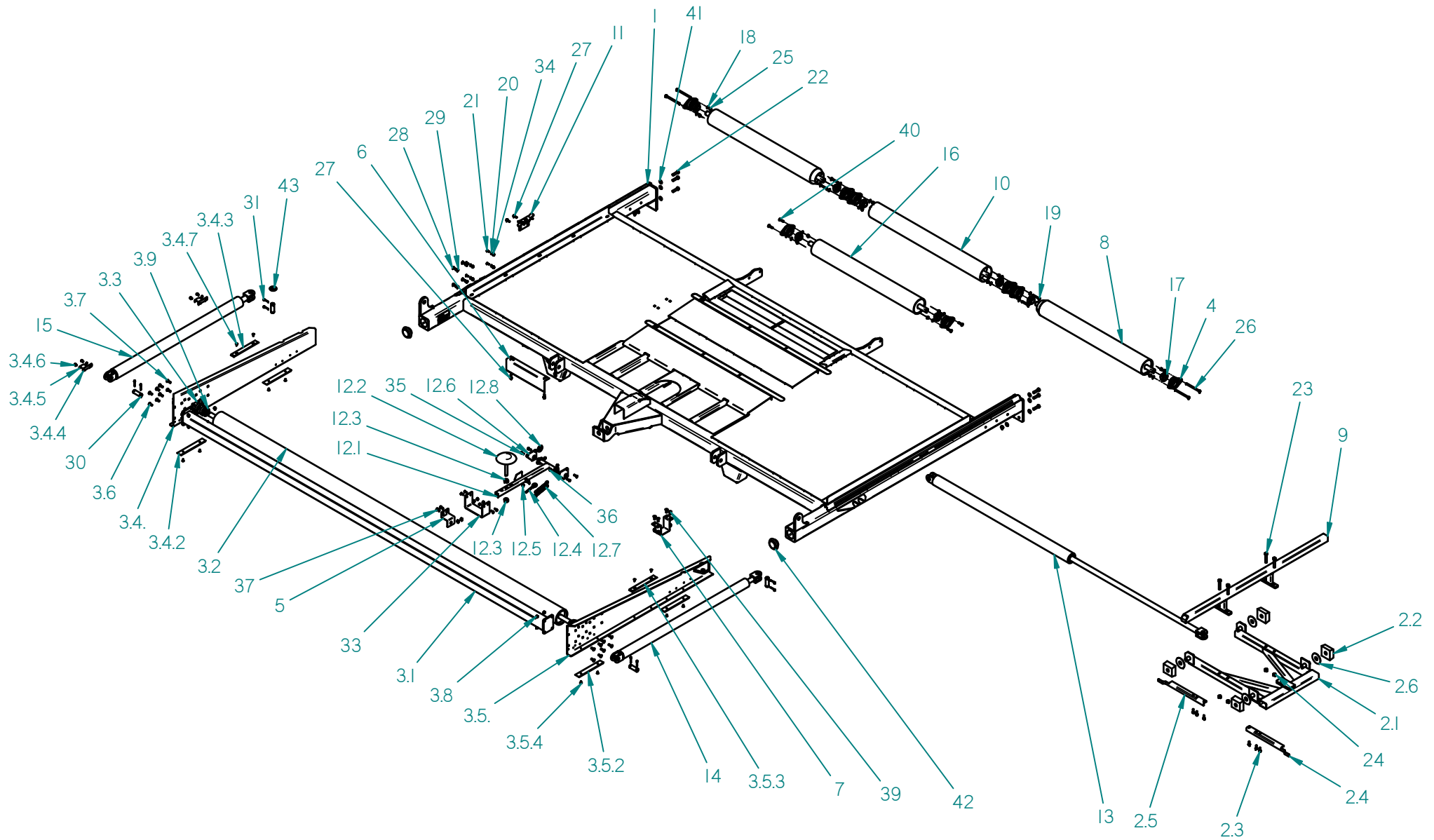
FRAME ASSEMBLY - BALAGE

ASM-100562B

Serial #

BAX2183

AND <



AC4106

FRAME ASSEMBLY - BALAGE

ASM-100562B

				Serial #	BAX2183	AND <	
Item	Part NO.	Description	QTY	Item	Part NO.	Description	QTY
1	WLD-100585B	AC4106 BALAGE CHASSIS	1	12.2	WLD-100502	BALE BUTTON	1
2	ASM-100418 RI	AC4106 SIDE SHIFT ASSEMBLY	1	12.3	FST-100117	3/4" NUT	2
2.1	Wld-100401	SIDE SHIFT TRUCK	1	12.4	FST-100226	3/8" X 3" EYE BOLT	1
2.2	SAW-100411	SIDE SHIFT PLASTIC SLIDER	4	12.5	FST-100206	3/8" LOCKNUT	1
2.3	FST-100263	5/16" x 1" SELF TAP	6	12.6	PCT-100864	BALE BUTTON MTG LUG LARGE	2
2.4	STM-100566	SIDE SHIFT TRIGGER-LH	1	12.7	CMP-100145	EXTENSION SPRING (BALE BUTTON)	1
2.5	STM-100567	SIDE SHIFT TRIGGER-RH	1	12.8	FST-100262	1" HARDENED WASHER F436	1
2.6	CMP-100766	SHIM SIDE SHIFT	5	13	HYD-100225	CYL 2.75X52X1.50 ROD SIDE SHIFT	1
3	ASM-100426	AC4106 PUSH OFF ASSEMBLY (48")	1	14	HYD-100401	CYL 2 X 48 X 1.25 ROD SLAVE	1
3.1	WLD-100437	AC4106 PUSH OFF STABILIZER BAR	1	15	HYD-100402	CYL 2.5 X 48 X 1.5 ROD MASTER	1
3.2	WLD-100453BR	AC4106 PUSH OFF ROLLER	1	16	WLD-100441	AC4104 CENTER BALAGE ROLLER	1
3.3	CMP-100106	F206 FLANGE BLOCK	2	17	CMP-100109-	BEARING YET 206-104	8
3.4	ASM-100415	PUSH OFF SIDE (R) 48" MODELS	1	18	FST-100150	3/8" FLAT WASHER	16
3.4.2	CMP-100147	PLASTIC STRIP BOTTOM	2	19	FST-100144	3/8" X 2 1/2" CAP SCREW	4
3.4.3	CMP-100148	PLASTIC STRIP-TOP	1	20	FST-100166	1/4" LOCK WASHER	4
3.4.4	PCT-100421	PUSH OFF TRIGGER	2	21	FST-100169	1/4" x 3/4" CAP SCREW	8
3.4.5	FST-100138	5/16" LOCK WASHER	4	22	FST-100420	1/2" X 2" CAP SCREW GRADE 8	6
3.4.6	FST-100175	5/16" X 1/2" CAP SCREW	4	23	FST-100193	1/2" x 3" BOLT	4
3.4.7	FST-100228	POP RIVET STEEL 3/16 X 1/2 X 5/8	6	24	FST-100356	1/2" CRIMP NUT	10
3.5	ASM-100419	PUSH OFF SIDE (L) 48" MODELS	1	25	FST-100206	3/8" LOCKNUT	18
3.5.2	CMP-100147	PLASTIC STRIP BOTTOM	2	26	FST-100238	3/8" X 5 1/2" BOLT	4
3.5.3	CMP-100148	PLASTIC STRIP-TOP	1	27	FST-100263	5/16" x 1" SELF TAP	4
3.5.4	FST-100228	POP RIVET STEEL 3/16 X 1/2 X 5/8	6	28	FST-100141	3/8" X 1" CAP SCREW	4
3.6	FST-100199	3/8" X 1" CARRIAGE BOLT	8	29	FST-100149	3/8" LOCK WASHER	4
3.7	FST-100146	3/8" x 1 1/4" CARRIAGE BOLT	8	30	FST-100703	1" X 2 1/4" CYLINDER PIN USEABLE	4
3.8	FST-100206	3/8" LOCKNUT	16	31	FST-100127	3/16" X 1 1/2" COTTER PIN	8
3.9	CMP-100109	BEARING YET 206-104	2	33	PCT-100855	BALE BUTTON SAFETY STOP	1
4	CMP-100169	FL206 2-BOLT HOUSING	8	34	FST-100135	1/4" LOCK NUT	8
5	STM-100168	BALE BUTTON PROX BRACKET	1	35	FST-100176	5/16" X 1" CAP SCREW	4
6	STM-100423	ACCUMULATOR MUD SHIELD	1	36	FST-100173	5/16" NUT	4
7	STM-100424	SIDE SHIFT CYLINDER SUPPORT	1	37	FST-100140	3/8" X 3/4" CAP SCREW	2
8	WLD-100442	AC4106 SIDE SHORT ROLLER	2	39	FST-100199	3/8" X 1" CARRIAGE BOLT	4
9	WLD-100513	SIDE SHIFT SHUTTLE	1	40	FST-100147	3/8" X 1 1/2" CARRIAGE BOLT	4
10	WLD-200639	REAR ROLLER, STACKER	1	41	FST-100151	1/2" FLAT WASHER HARDENED	12
11	WLD-100457	PROX MOUNT BRACKET PUSH OFF	1	42	ELC-100473	2.5" ROUND AMBER LIGHT	2
12	ASM-100501	ACCUMULATOR BALE SWITCH ASSY	1	43	FST-100262	1" HARDENED WASHER F436	2
12.1	WLD-100501	ACCUMULATOR BALE SWITCH ARM	1				

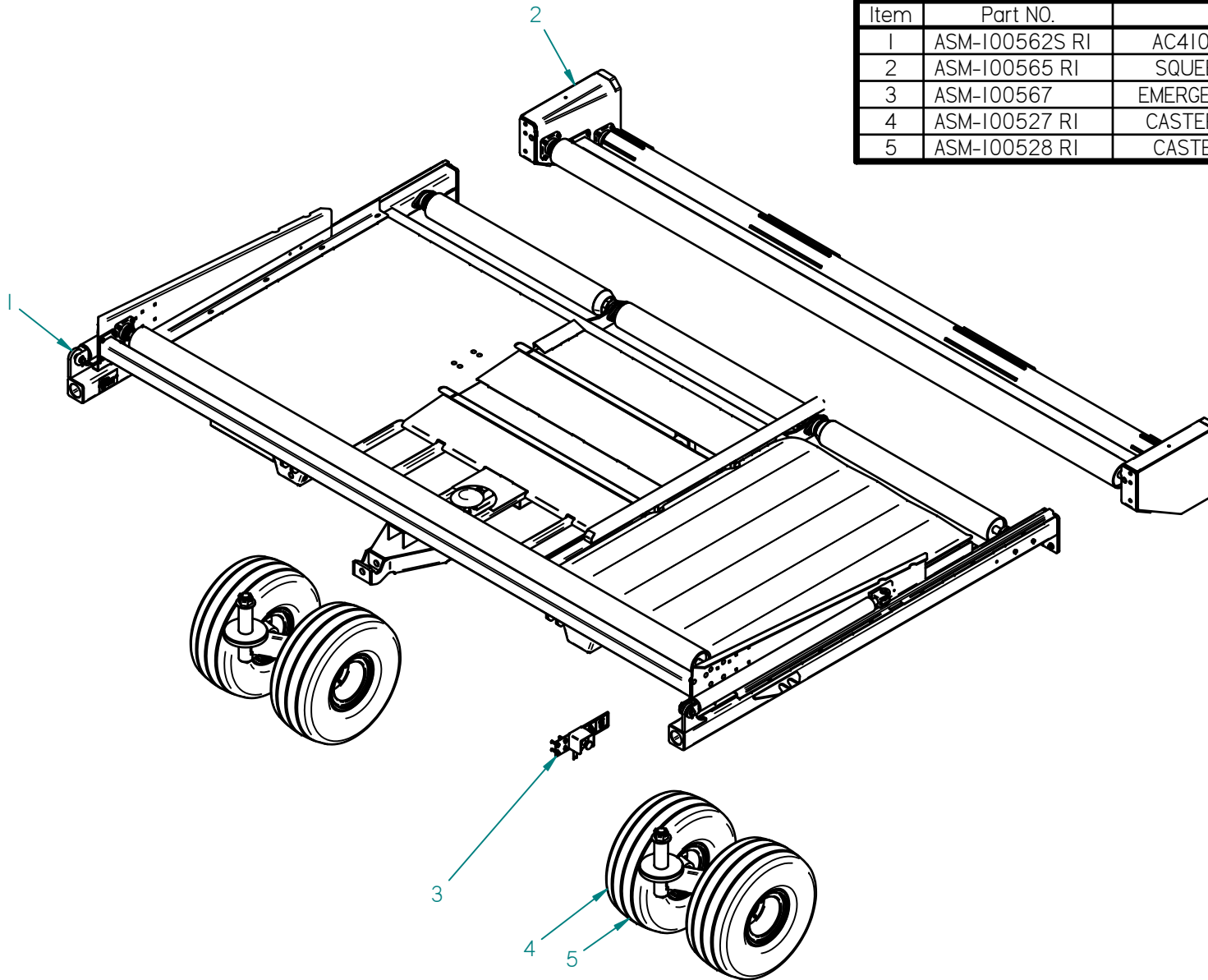
AC4106

ACCUMULATOR - SCALE

WHG-100562S

Serial # BAx2183 AND <

Item	Part NO.	Description	QTY
1	ASM-100562S RI	AC4106 SCALE ACCUMULATOR	1
2	ASM-100565 RI	SQUEEZER TAIL PIECE AC4106	1
3	ASM-100567	EMERGENCY SHUT OFF ASSEMBLY	1
4	ASM-100527 RI	CASTER ARM (SHORT) ASSEMBLY	2
5	ASM-100528 RI	CASTER ARM (TALL) ASSEMBLY	2



AC4106

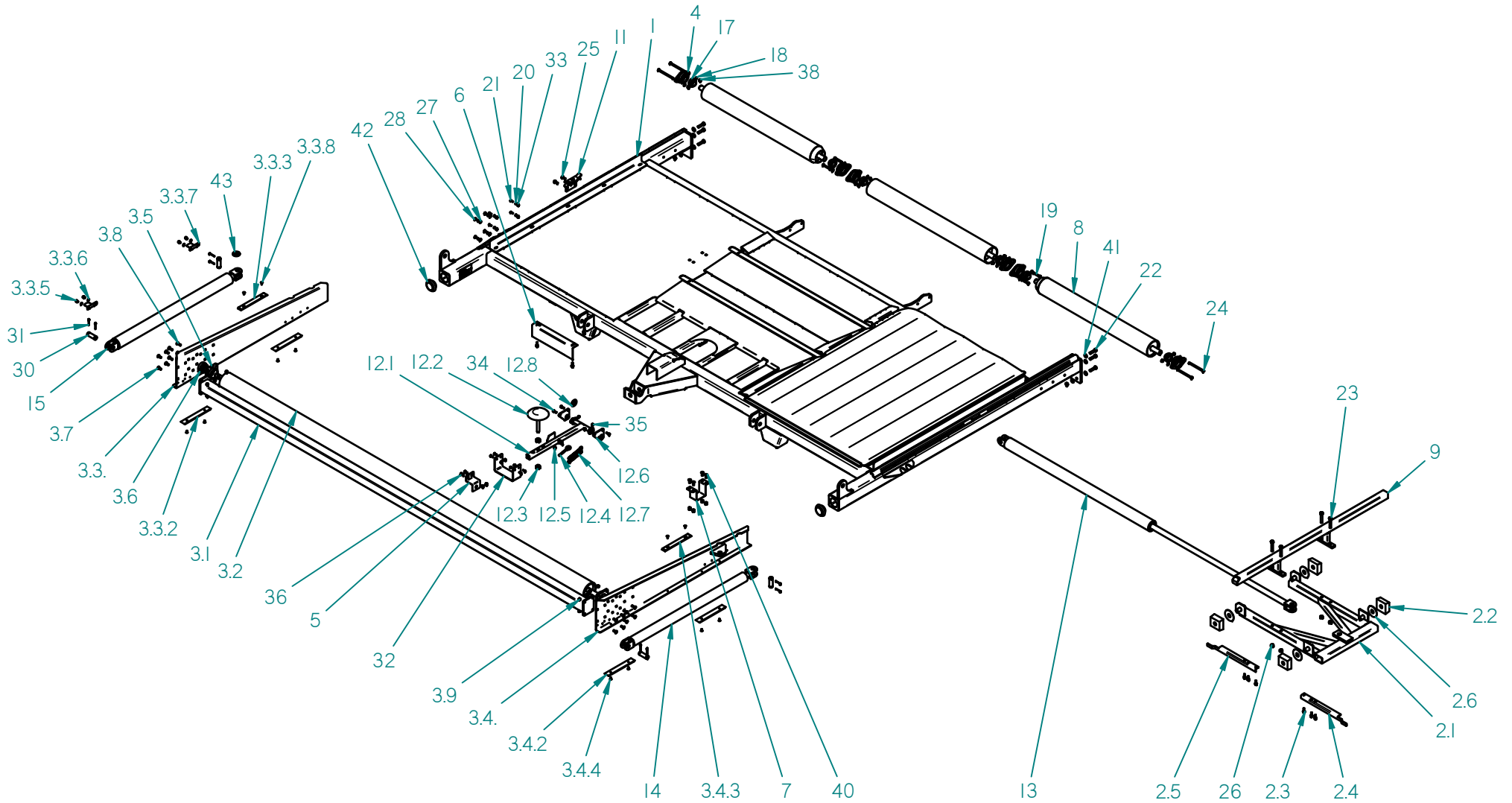
FRAME ASSEMBLY - SCALE

ASM-100562S

Serial #

BAX2183

AND <



AC4106

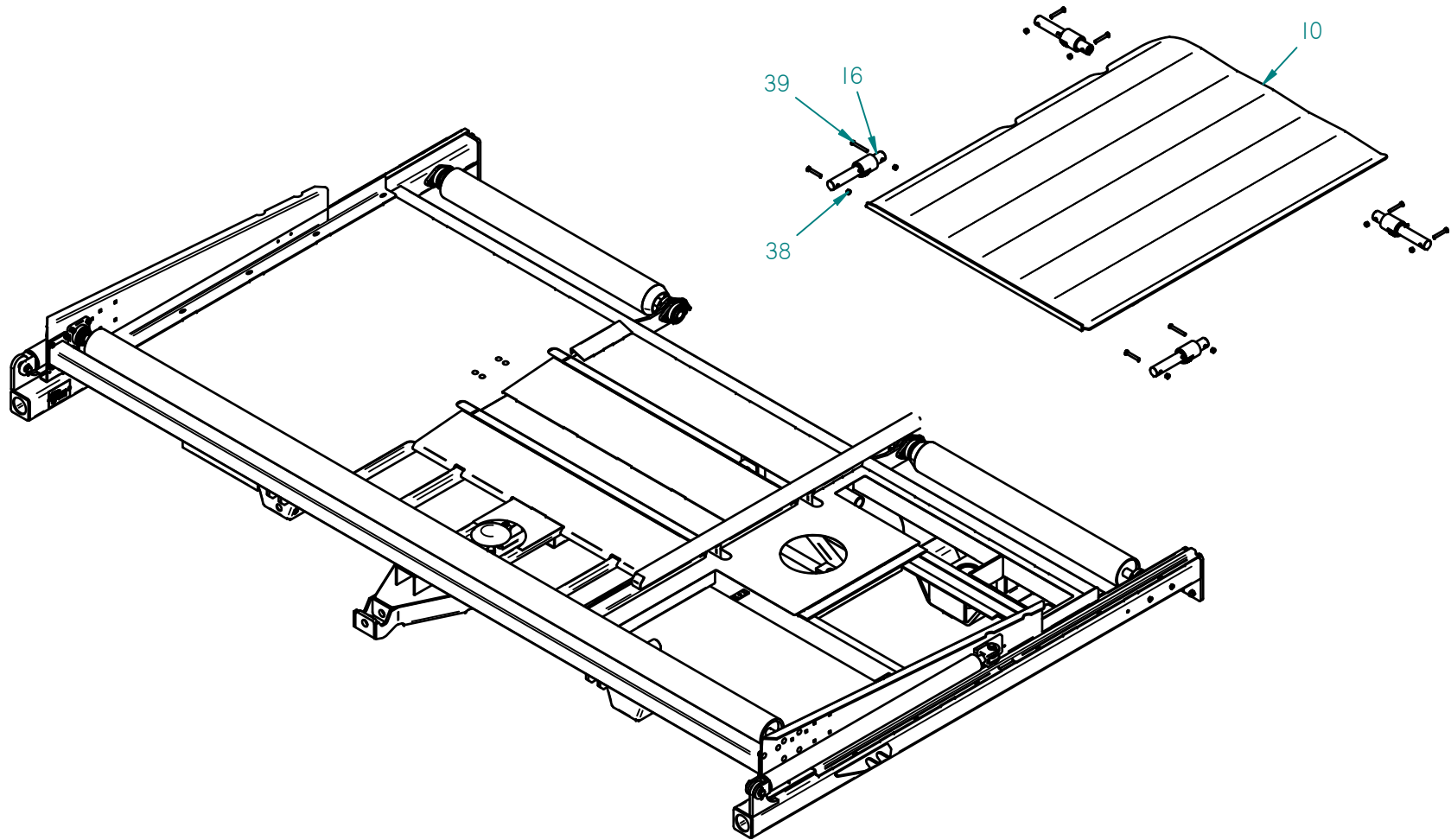
FRAME ASSEMBLY - SCALE

ASM-100562S

Serial #

BAX2183

AND <



AC4106

FRAME ASSEMBLY - SCALE

ASM-100562S

Serial #

BAx2183

AND <

Item	Part NO.	Description	QTY	Item	Part NO.	Description	QTY
1	WLD-100585S	AC4106 SCALE CHASSIS	1	12.2	WLD-100502	BALE BUTTON	1
2	ASM-100418 RI	AC4106 SIDE SHIFT ASSEMBLY	1	12.3	FST-100117	3/4" NUT	2
2.1	Wld-100401	SIDE SHIFT TRUCK	1	12.4	FST-100226	3/8" X 3" EYE BOLT	1
2.2	SAW-100411	SIDE SHIFT PLASTIC SLIDER	4	12.5	FST-100206	3/8" LOCKNUT	1
2.3	FST-100263	5/16" x 1" SELF TAP	6	12.6	PCT-100864	BALE BUTTON MTG LUG LARGE	2
2.4	STM-100566	SIDE SHIFT TRIGGER-LH	1	12.7	CMP-100145	EXTENSION SPRING (BALE BUTTON)	1
2.5	STM-100567	SIDE SHIFT TRIGGER-RH	1	12.8	FST-100262	1" HARDENED WASHER F436	1
2.6	CMP-100766	SHIM SIDE SHIFT	5	13	HYD-100225	CYL 2.75X52X1.50 ROD SIDE SHIFT	1
3	ASM-100416 RI	AC4106 PUSH OFF ASSEMBLY	1	14	HYD-100206	CYL 2 X 40 X 1.25 ROD SLAVE	1
3.1	WLD-100437	AC4106 PUSH OFF STABILIZER BAR	1	15	HYD-100207	CYL 2.5 X 40 X 1.5 ROD MASTER	1
3.2	WLD-100453BR	AC4106 PUSH OFF ROLLER	1	16	ELC-100321	LOAD CELL (DIGI-STAR)	4
3.3	ASM-100417	PUSH OFF SIDE-RH	1	17	CMP-100109-	BEARING YET 206-104	6
3.3.2	CMP-100147	PLASTIC STRIP BOTTOM	2	18	FST-100150	3/8" FLAT WASHER	12
3.3.3	CMP-100148	PLASTIC STRIP-TOP	1	19	FST-100144	3/8" X 2 1/2" CAP SCREW	10
3.3.5	FST-100175	5/16" X 1/2" CAP SCREW	4	20	FST-100166	1/4" LOCK WASHER	4
3.3.6	FST-100138	5/16" LOCK WASHER	4	21	FST-100169	1/4" x 3/4" CAP SCREW	8
3.3.7	PCT-100421	PUSH OFF TRIGGER	2	22	FST-100420	1/2" X 2" CAP SCREW GRADE 8	6
3.3.8	FST-100228	POP RIVET STEEL 3/16 X 1/2 X 5/8	6	23	FST-100193	1/2" x 3" BOLT	4
3.4	ASM-100414	PUSH OFF SIDE-LH	1	24	FST-100238	3/8" X 5 1/2" BOLT	4
3.4.2	CMP-100147	PLASTIC STRIP BOTTOM	2	25	FST-100263	5/16" x 1" SELF TAP	4
3.4.3	CMP-100148	PLASTIC STRIP-TOP	1	26	FST-100356	1/2" CRIMP NUT	10
3.4.4	FST-100228	POP RIVET STEEL 3/16 X 1/2 X 5/8	6	27	FST-100149	3/8" LOCK WASHER	4
3.5	CMP-100106	F206 FLANGE BLOCK	2	28	FST-100141	3/8" X 1" CAP SCREW	4
3.6	CMP-100109	BEARING YET 206-104	2	30	FST-100703	1" X 2 1/4" CYLINDER PIN USEABLE	4
3.7	FST-100199	3/8" X 1" CARRIAGE BOLT	8	31	FST-100127	3/16" X 1 1/2" COTTER PIN	8
3.8	FST-100146	3/8" x 1 1/4" CARRIAGE BOLT	8	32	PCT-100855	BALE BUTTON SAFETY STOP	1
3.9	FST-100206	3/8" LOCKNUT	16	33	FST-100135	1/4" LOCK NUT	8
4	CMP-100169	FL206 2-BOLT HOUSING	6	34	FST-100176	5/16" X 1" CAP SCREW	4
5	STM-100168	BALE BUTTON PROX BRACKET	1	35	FST-100173	5/16" NUT	4
6	STM-100423	ACCUMULATOR MUD SHIELD	1	36	FST-100140	3/8" X 3/4" CAP SCREW	2
7	STM-100424	SIDE SHIFT CYLINDER SUPPORT	1	38	FST-100206	3/8" LOCKNUT	22
8	WLD-100442	AC4106 SIDE SHORT ROLLER	2	39	FST-100182	3/8" X 3" CAP SCREW	2
9	WLD-100513	SIDE SHIFT SHUTTLE	1	40	FST-100199	3/8" X 1" CARRIAGE BOLT	4
10	WLD-100272	SCALE DECK 4'	1	41	FST-100151	1/2" FLAT WASHER HARDENED	12
11	WLD-100457	PROX MOUNT BRACKET PUSH OFF	1	42	ELC-100473	2.5" ROUND AMBER LIGHT	2
12	ASM-100501	ACCUMULATOR BALE SWITCH ASSY	1	43	FST-100262	1" HARDENED WASHER F436	2
12.1	WLD-100501	ACCUMULATOR BALE SWITCH ARM	1				

This page is intentionally left blank

AC4106

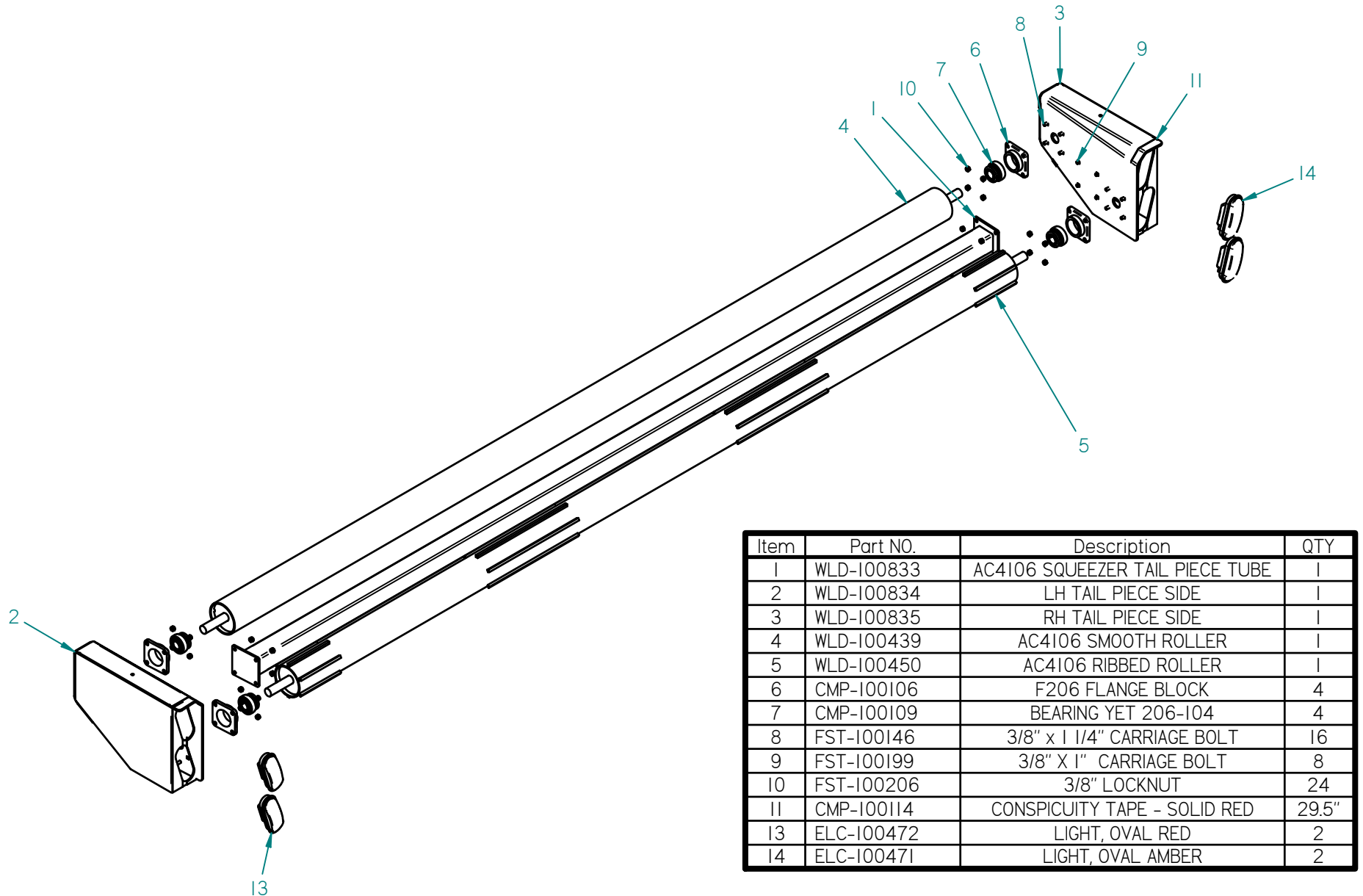
TAIL PIECE ASSEMBLY

ASM-100565

Serial #

BAX2183

AND <



Item	Part NO.	Description	QTY
1	WLD-100833	AC4106 SQUEEZER TAIL PIECE TUBE	1
2	WLD-100834	LH TAIL PIECE SIDE	1
3	WLD-100835	RH TAIL PIECE SIDE	1
4	WLD-100439	AC4106 SMOOTH ROLLER	1
5	WLD-100450	AC4106 RIBBED ROLLER	1
6	CMP-100106	F206 FLANGE BLOCK	4
7	CMP-100109	BEARING YET 206-104	4
8	FST-100146	3/8" x 1 1/4" CARRIAGE BOLT	16
9	FST-100199	3/8" X 1" CARRIAGE BOLT	8
10	FST-100206	3/8" LOCKNUT	24
11	CMP-100114	CONSPICUITY TAPE - SOLID RED	29.5"
13	ELC-100472	LIGHT, OVAL RED	2
14	ELC-100471	LIGHT, OVAL AMBER	2

AC4106

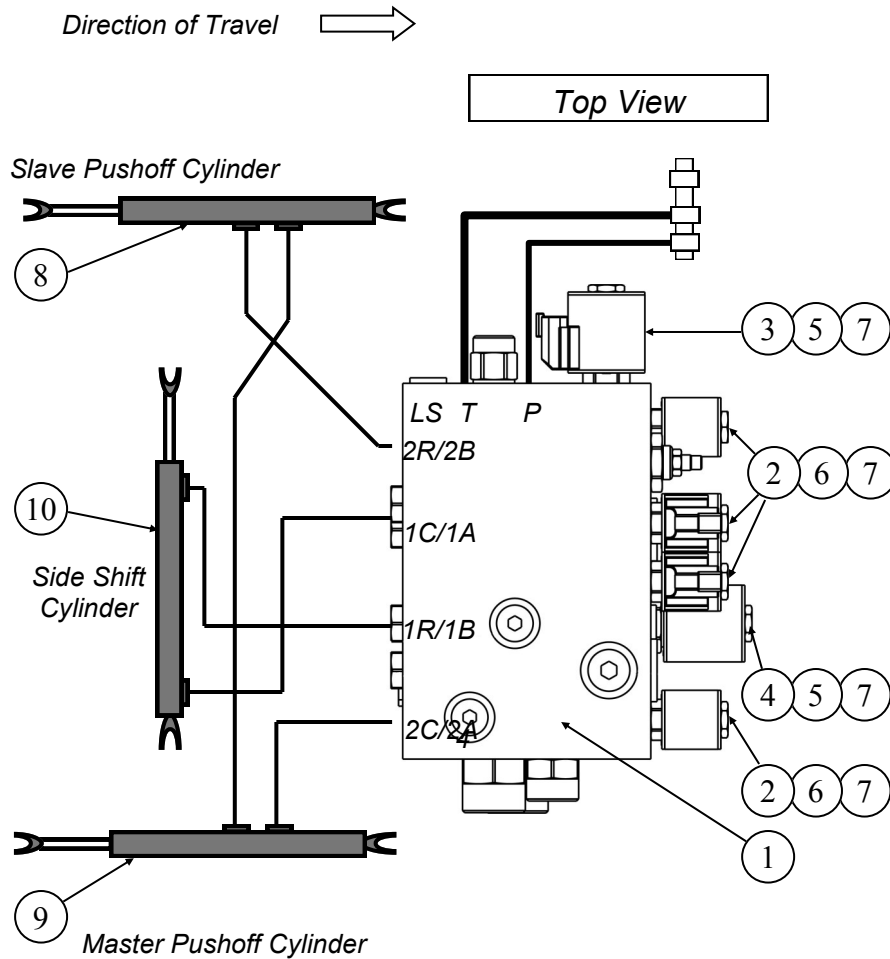
HYDRAULIC PACKAGE, VALVE

ASM-100429

Page 1 of 4

Serial # BAX2195 AND<

Serial #'s BAX2183 to BAX2194, call PhiBer Parts Dept for info. 204.873.2448



ITEM	PART NO.	DESCRIPTION	QTY
1	HYD-100490	HYDRAULIC VALVE HF87180-13 / 5959734	1
2	HYD-100597	SOLENOID VALVE SV08	4
3	HYD-100596	SOLENOID VALVE SV10	1
4	HYD-100595	SOLENOID VALVE SV12	1
5	HYD-100598	COIL 4303712	2
6	HYD-100599	COIL 4303612	4
7	HYD-100430	COIL RETAINING NUT	6
8	HYD-100206	PUSH OFF CYLINDER, SLAVE 40" stroke	1
	HYD-100401	PUSH OFF CYLINDER, SLAVE 48" stroke	
	HYD-100606	SEAL KIT, PUSH OFF CYL, SLAVE (core)	1
9	HYD-100207	PUSH OFF CYLINDER, MASTER 40" stroke	1
	HYD-100402	PUSH OFF CYLINDER, MASTER 48" stroke	
	HYD-100607	SEAL KIT, PUSH OFF CYL, MASTER (core)	1
10	HYD-100225	SIDE SHIFT CYLINDER AC4106	1
	HYD-100608	SEAL KIT, SIDE SHIFT CYL AC4106 (core)	1
	HYD-100322	ORB O-RING SEAL KIT, HYD VALVE	1

AC4106

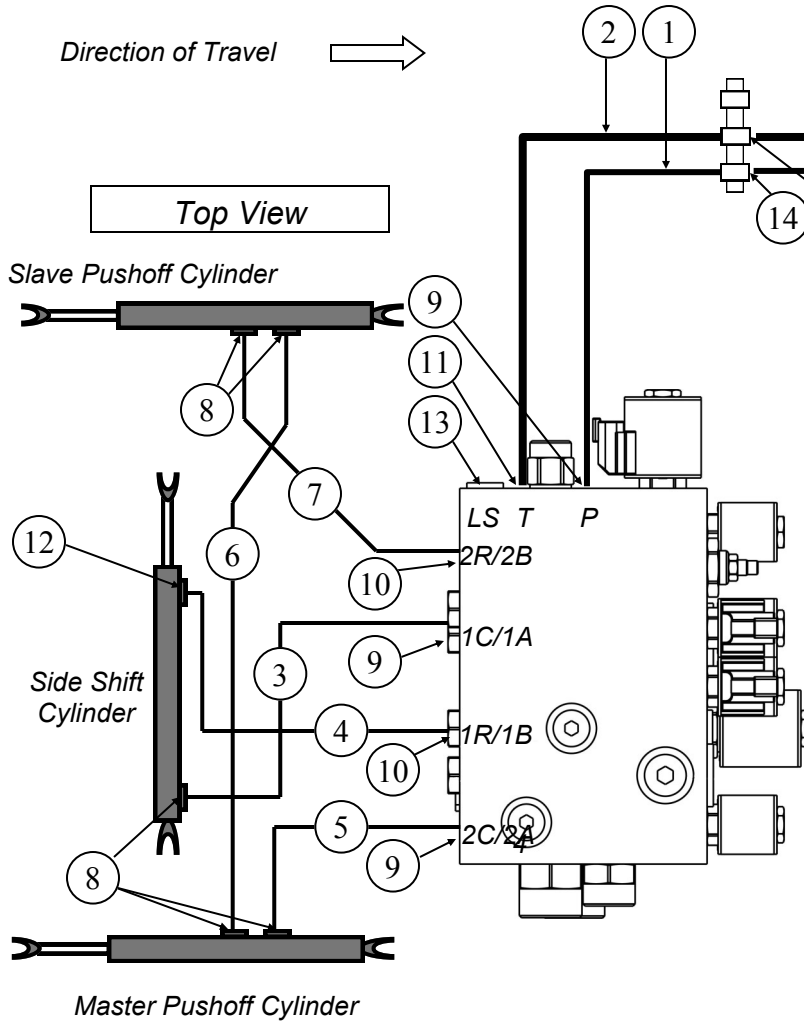
HYDRAULIC PACKAGE, HOSES & FITTINGS

ASM-100429

Page 2 of 4

Serial # BAX2195 AND<

Serial #'s Bax2183 to Bax2194, call PhiBer Parts Dept for info. 204.873.2448



ITEM	PART NO.	DESCRIPTION	QTY
1	HYD-100580	MAIN PRESSURE HOSE AC4106	1
2	HYD-100581	RETURN HOSE AC4106	1
3	HYD-100589	SIDE SHIFT HOSE cap end AC4106	1
4	HYD-100590	SIDE SHIFT HOSE rod end AC4106	1
5	HYD-100591	PUSH OFF HOSE master cap end AC4106	1
6	HYD-100592	PUSH OFF HOSE master to slave AC4106	1
7	HYD-100593	PUSH OFF HOSE slave rod end to return AC4106	1
8	HYD-100334	6400-08-08 ADAPTER, MALE JIC to MALE ORB	5
9	HYD-100534	6400-08-10 ADAPTER, MALE JIC to MALE ORB	3
10	HYD-100578	6400-08-12 ADAPTER, MALE JIC to MALE ORB	2
11	HYD-100389	6400-10-12 ADAPTER, MALE JIC to MALE ORB	1
12	HYD-100337	6801-08-08 ELBOW 90*, MALE ORB to MALE JIC	1
13	HYD-100173	6408HHP-08 PLUG, HOLLOW HEX, ORB	1
14	HYD-100392	2700-08-08 BULKHEAD, MALE JIC	1
	HYD-100530	0304-C-08 (CAP, JIC)	1
15	HYD-100393	2700-12-12 BULKHEAD, MALE JIC	1
	HYD-100579	0304-C-10 (CAP, JIC)	1

Table Continued

AC4106

HYDRAULIC PACKAGE, HOSES & FITTINGS

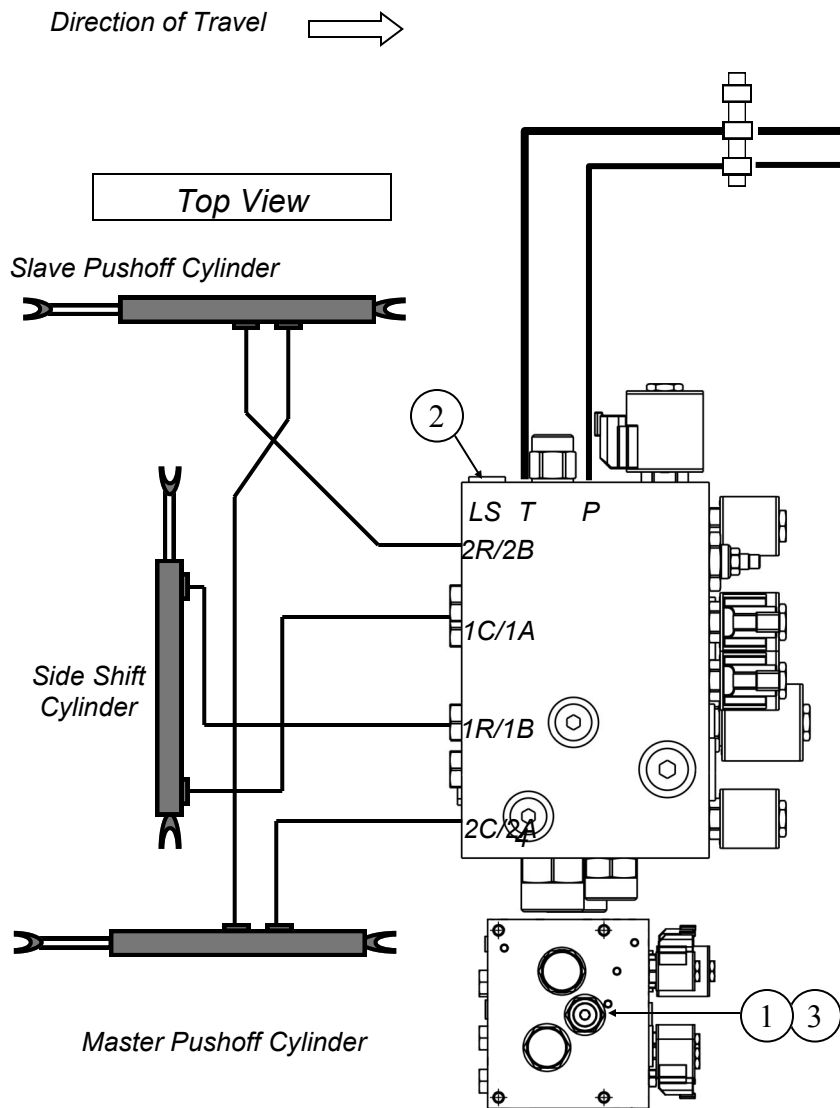
ASM-100429

Page 3 of 4

Serial # BAX2195 AND<

Serial #'s BAX2183 to BAX2194, call PhiBer Parts Dept for info. 204.873.2448

ITEM	PART NO.	DESCRIPTION	QTY
16	KIT-100413	HOSE KIT acc. to tractor 35'	
	HYD-100650	MAIN PRESSURE HOSE acc. to tractor 35'	1
	HYD-100651	RETURN HOSE acc. to tractor 35'	1
16	KIT-100421	HOSE KIT acc. to tractor 38'	
	HYD-100652	MAIN PRESSURE HOSE acc. to tractor 38'	1
	HYD-100653	RETURN HOSE acc. to tractor 38'	1
	HOSE KIT FITTINGS AND ACCESSORIES		
	CMP-100767	HOSE CONTAINMENT	3
	CMP-100768	HOSE CONTAINMENT PLATE	3
	HYD-100624	PIONEER FREE FLOW RETURN TIP (PARKER)	1
	HYD-100487	PIONEER TIP (male) 1/2" ORB	1
	HYD-100334	6400-08-08 ADAPTER, MALE JIC to MALE ORB	1
	HYD-100625	6400-12-08 ADAPTER MALE JIC to MALE ORB	1
	HYD-100496	1516-12-08 MALE NPT-- MALE JIC optional	1
	HYD-100497	1516-12-12 MALE NPT-- MALE JIC optional	1
	HYD-100488	JIC PLASTIC PLUG 08	1
	HYD-100499	JIC PLASTIC PLUG 12	1
	FST-100172	1/4" X 3" CAP SCREW	3
	FST-100135	1/4" LOCK NUT	3
	FST-100214	CABLE TIE 14" 120LB BLACK	15



ITEM	PART NO.	DESCRIPTION	QTY
		STANDARD OPTION - OPEN CENTER	
1	HYD-100604	HYDRAFORCE PRESSURE COMPENSATOR	1
2	HYD-100173	6408HHP-08 PLUG, HOLLOW HEX, ORB	1
		OPTION - CLOSED CENTER	
3	HYD-100600	HYDRAFORCE CAVITY PLUG	1

AC3106/4106

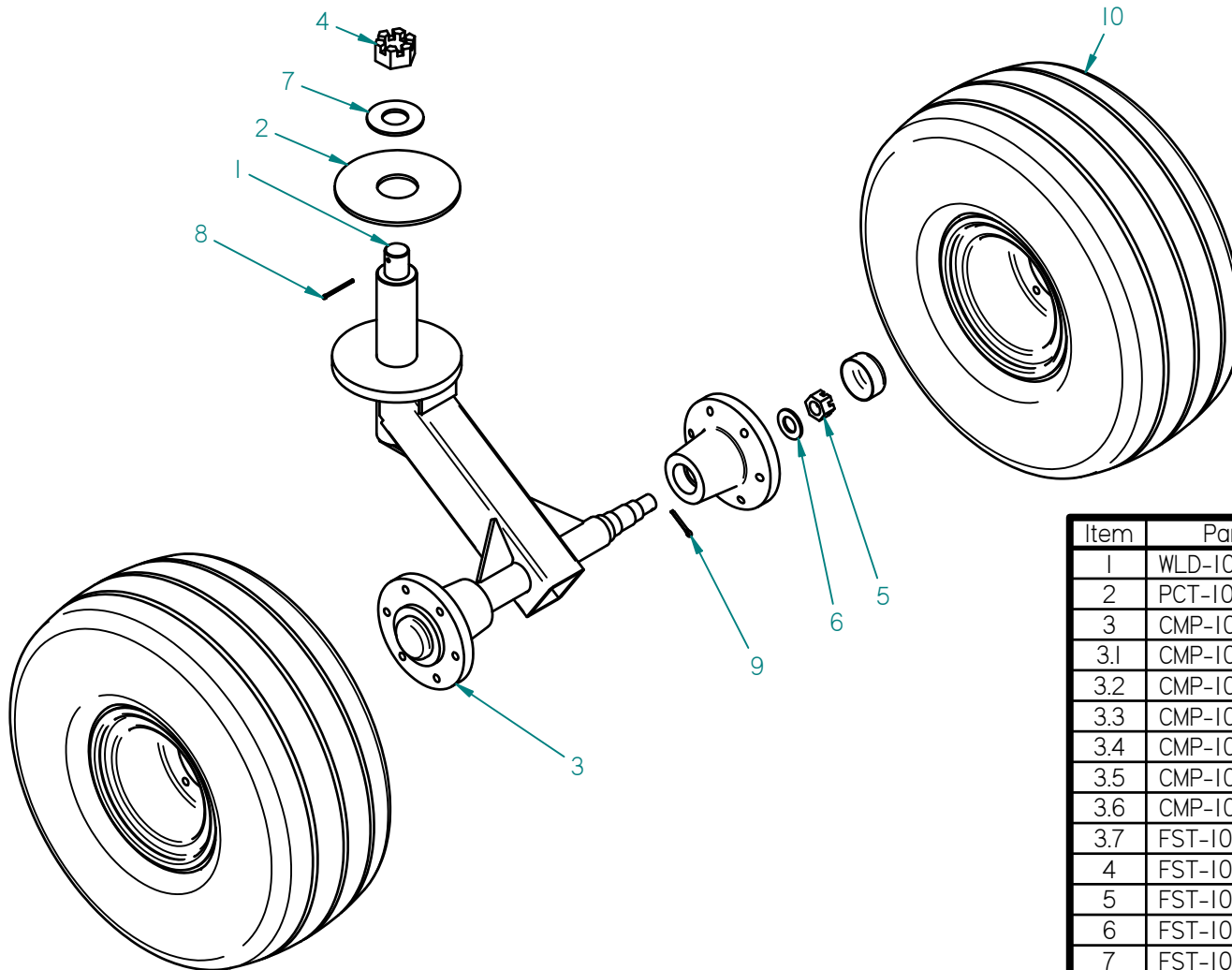
CASTER ASSEMBLY (SHORT)

ASM-100527

Serial #

BAX2183

AND <



<p>GUSSET PRESENT IN SHORT CASTER ONLY</p>	
<p>SHORT CASTER ASM-100527 WLD-100527</p>	<p>TALL CASTER ASM-100528 WLD-100539</p>

Item	Part NO.	Description	QTY
1	WLD-100527	CASTER ARM (GEN III) SHORT	1
2	PCT-100407	CASTER WASHER, CASTER ASSEMBLY	1
3	CMP-100144	HUB ASSEMBLY, HA611	2
3.1	CMP-100264	BEARING, HA611 HUB OUTER 67048	2
3.2	CMP-100265	BEARING, HA611 HUB INNER 29749	2
3.3	CMP-100266	RACE, HA611 OUTER CUP 67010	2
3.4	CMP-100267	RACE, HA611 INNER CUP 29710	2
3.5	CMP-100268	DUST CAP, HA611 HUB	2
3.6	CMP-100269	GREASE SEAL, HA611 HUB	2
3.7	FST-100123	1/2" X 1 1/4" FINE THREAD WHEEL	12
4	FST-100312	1 1/2" CASTLE NUT UNF	1
5	FST-100330	1" CASTLE NUT 14 UNC	2
6	FST-100221	1" SAE FLAT WASHER	2
7	FST-100313	1 1/2" HARDENED WASHER	1
8	FST-100314	1/4" X 2" COTTER PIN	1
9	FST-100127	3/16" X 1 1/2" COTTER PIN	2
10	CMP-100247	TIRE 26x12x12 10PLY ON HVY RIM	2
10.1	CMP-100244	TIRE 26 x 12 x 12 NHS 10 PLY FFS	2
10.2	CMP-100248	WHEEL 12x10.5x6 2800lb WHITE	2

AC3106/4106

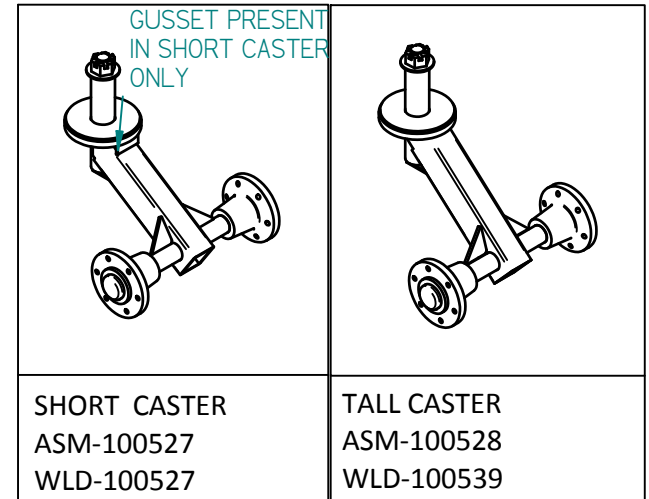
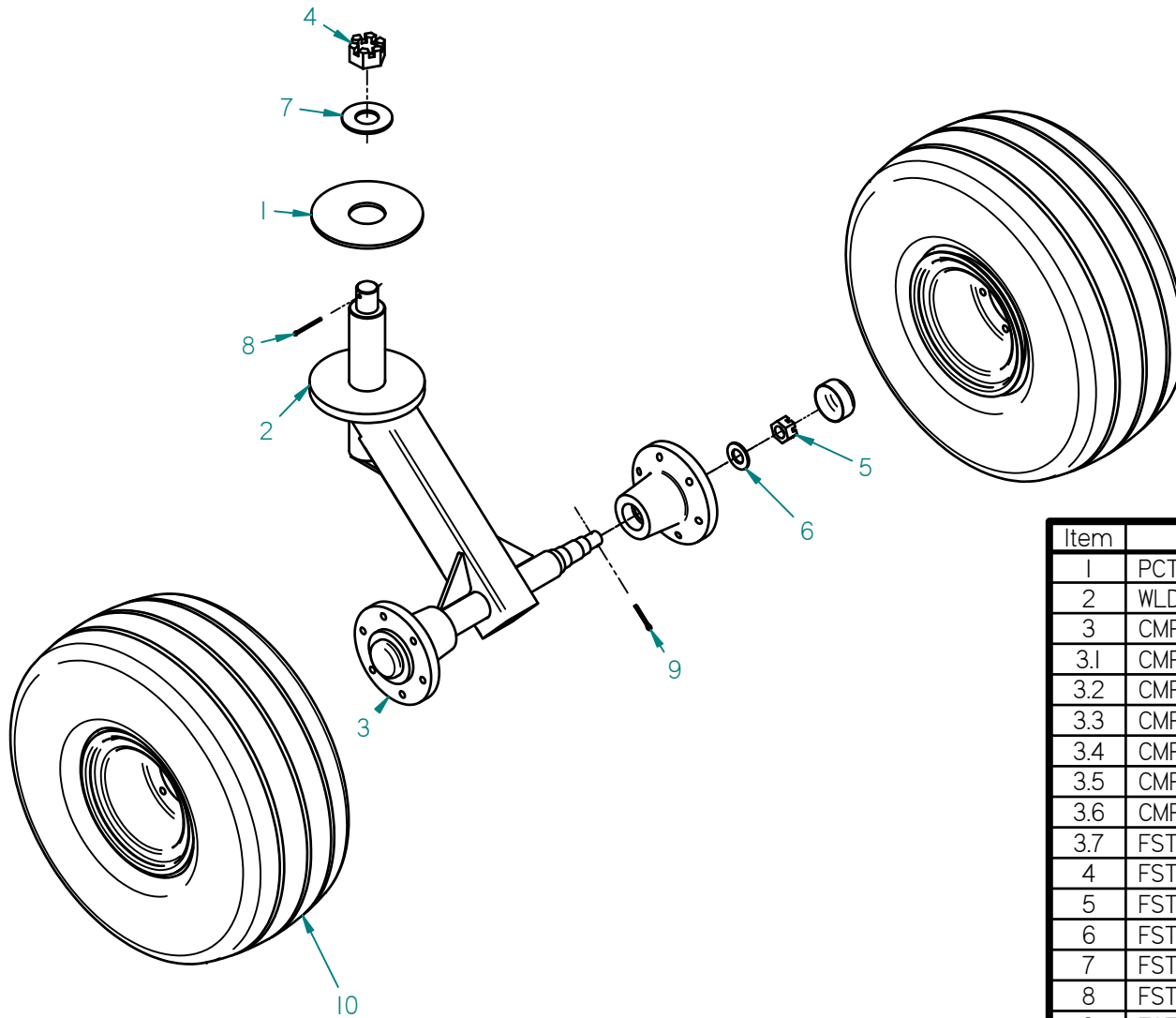
CASTER ASSEMBLY (TALL)

ASM-100528

Serial #

BAX2183

AND <



Item	Part NO.	Description	QTY
1	PCT-100407	CASTER WASHER, CASTER ASSEMBLY	1
2	WLD-100539	CASTER ARM TALL (GEN III)	1
3	CMP-100144	HUB ASSEMBLY, HA611	2
3.1	CMP-100264	BEARING, HA611 HUB OUTER 67048	2
3.2	CMP-100265	BEARING, HA611 HUB INNER 29749	2
3.3	CMP-100266	RACE, HA611 OUTER CUP 67010	2
3.4	CMP-100267	RACE, HA611 INNER CUP 29710	2
3.5	CMP-100268	DUST CAP, HA611 HUB	2
3.6	CMP-100269	GREASE SEAL, HA611 HUB	2
3.7	FST-100123	1/2" X 1 1/4" FINE THREAD WHEEL	12
4	FST-100312	1 1/2" CASTLE NUT UNF	1
5	FST-100330	1" CASTLE NUT 14 UNC	2
6	FST-100221	1" SAE FLAT WASHER	2
7	FST-100313	1 1/2" HARDENED WASHER	1
8	FST-100314	1/4" X 2" COTTER PIN	1
9	FST-100127	3/16" X 1 1/2" COTTER PIN	2
10	CMP-100247	TIRE 26x12x12 10PLY ON HVY RIM	2
10.1	CMP-100244	TIRE 26 x 12 x 12 NHS 10 PLY FFS	2
10.2	CMP-100248	WHEEL 12x10.5x6 2800lb WHITE	2

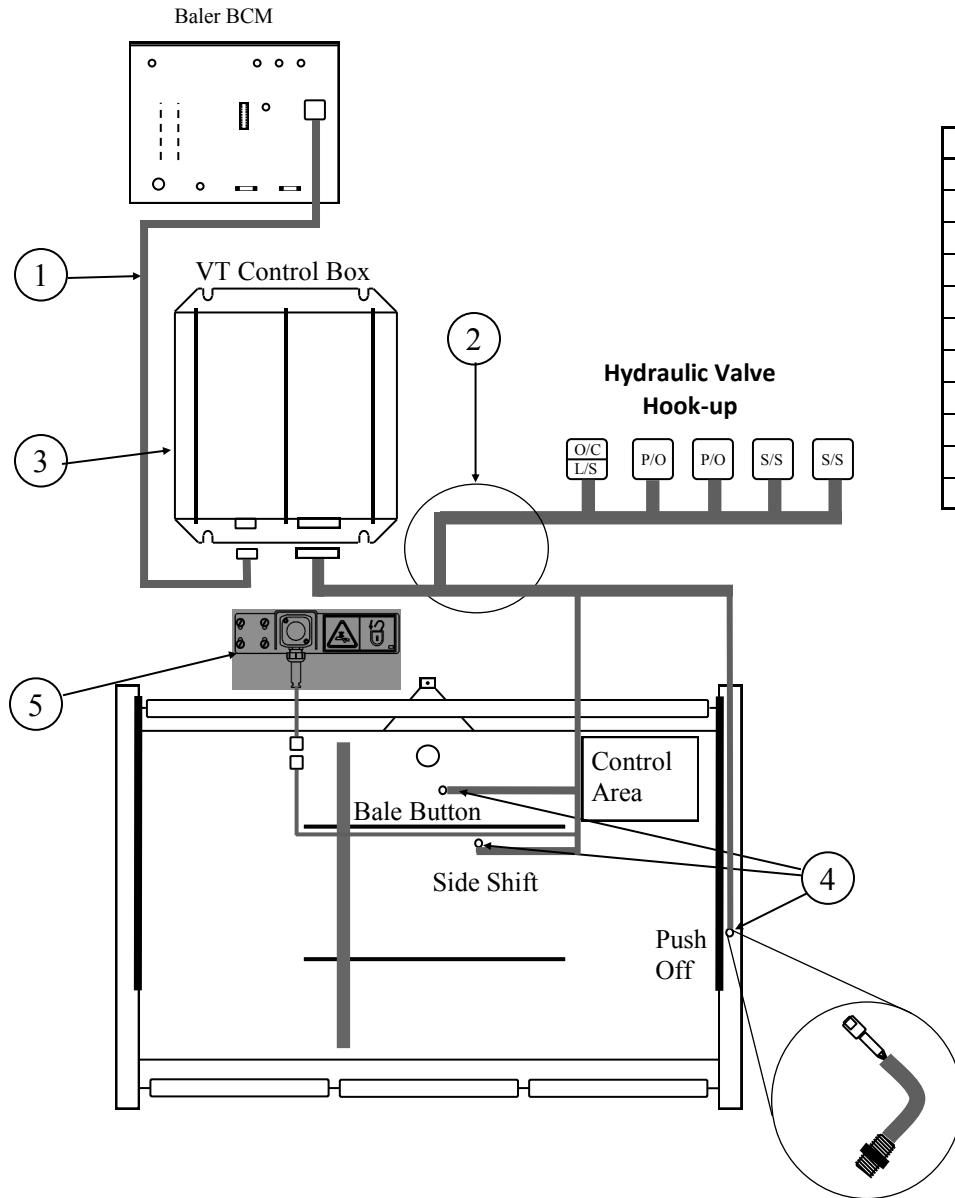
AC3106 / 4106

CNH VT WIRING KIT

KIT-100442

Serial # BAX2194 AND<

Serial #'s BAX2183 to BAX2194, call PhiBer Parts Dept for info. 204.873.2448



ITEM	PART NO.	DESCRIPTION	QTY
1	ELC-100257	EXTENSION CABLE, TWISTED QUAD VT	1
2	ELC-100367	WIRE HARNESS VT 3106 / 4106	1
3	ELC-100244	CNH VT CONTROLLER	1
4	ELC-100178	PROXIMITY SWITCH w/ nuts & lock washers	3
	ELC-100284	PROXIMITY SWITCH NUT & LOCK WASHER	6
5	ASM-100567	EMERGENCY SHUT OFF ASSEMBLY	1
	ASM-100428	ELECTRONIC ASSEMBLY AC3106 PHIBER / VT	
	ASM-100430	ELECTRONIC ASSEMBLY AC4106 PHIBER / VT	
	ELC-100471	LIGHT ASSEMBLY, OVAL AMBER	2
	ELC-100472	LIGHT ASSEMBLY, OVAL RED	2
	ELC-100473	LIGHTASSEMBLY, ROUND AMBER LED	2

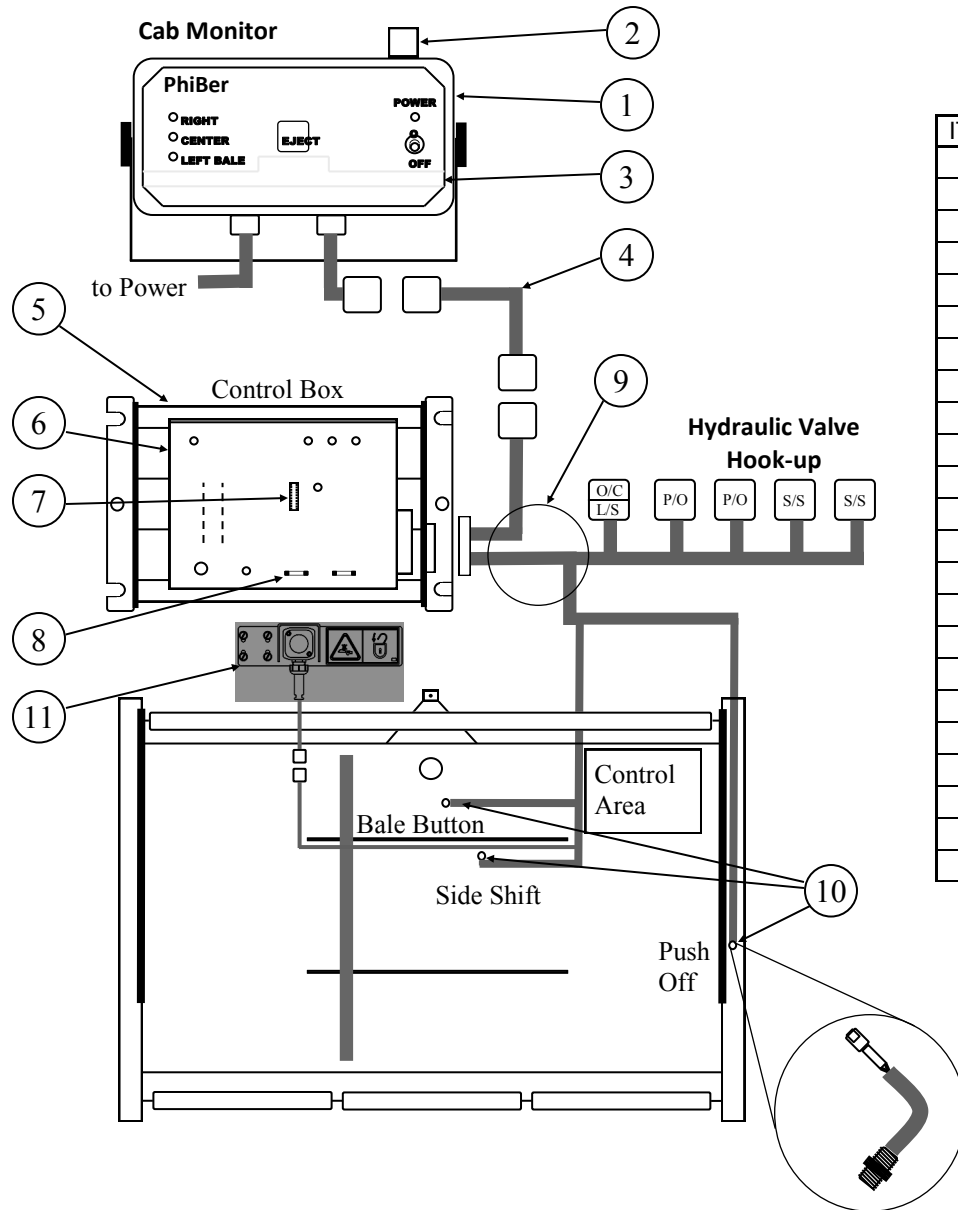
AC3106 / 4106

PHIBER WIRING KIT

KIT-100443

Serial # BAX2194 AND<

Serial #'s Bax2183 to Bax2194, call PhiBer Parts Dept for info. 204.873.2448



ITEM	PART NO.	DESCRIPTION	QTY
1	ELC-100169	CAB MONITOR	1
2	ELC-100258	8 AMP FUSE	
3	CMP-100274	CAB MONITOR DECAL AC4106 / 3106	1
4	ELC-100174	EXTENSION CABLE 33'	
	ELC-100276	EXTENSION CABLE 38'	
5	ELC-100261	CONTROL ASSEMBLY	1
	ELC-100330	ENCLOSURE ALUMINIUM EXTRUDED	1
	PCT-100830	CONTROL BOX END CAP W/ CUTOUT	1
	PCT-100831	CONTROL BOX END CAP, CLOSED	1
	PCT-100837	CIRCUIT BOARD EXTENSION PLATE	1
	FST-100364	#4 X 3/8" PAN HEAD PHILIPS SCREW	4
6	ELC-100193	CIRCUIT BOARD R4 blue w/ pic chip	1
7	ELC-100118	PIC CHIP (4.03-3)	1
8	ELC-100231	800ma FUSE	1
9	ELC-100366	WIRE HARNESS PHIBER 3106/4106	1
10	ELC-100178	PROXIMITY SWITCH w/lock washers	3
	ELC-100284	PROXIMITY SWITCH NUT & LOCK WASHER	6
11	ASM-100567	EMERGENCY SHUT OFF ASSEMBLY	1
	ASM-100428	ELECTRONIC ASSEMBLY AC3106 PHIBER / VT	
	ASM-100430	ELECTRONIC ASSEMBLY AC4106 PHIBER / VT	
	ELC-100471	LIGHT ASSEMBLY, OVAL AMBER	2
	ELC-100472	LIGHT ASSEMBLY, OVAL RED	2
	ELC-100473	LIGHTASSEMBLY, ROUND AMBER LED	2

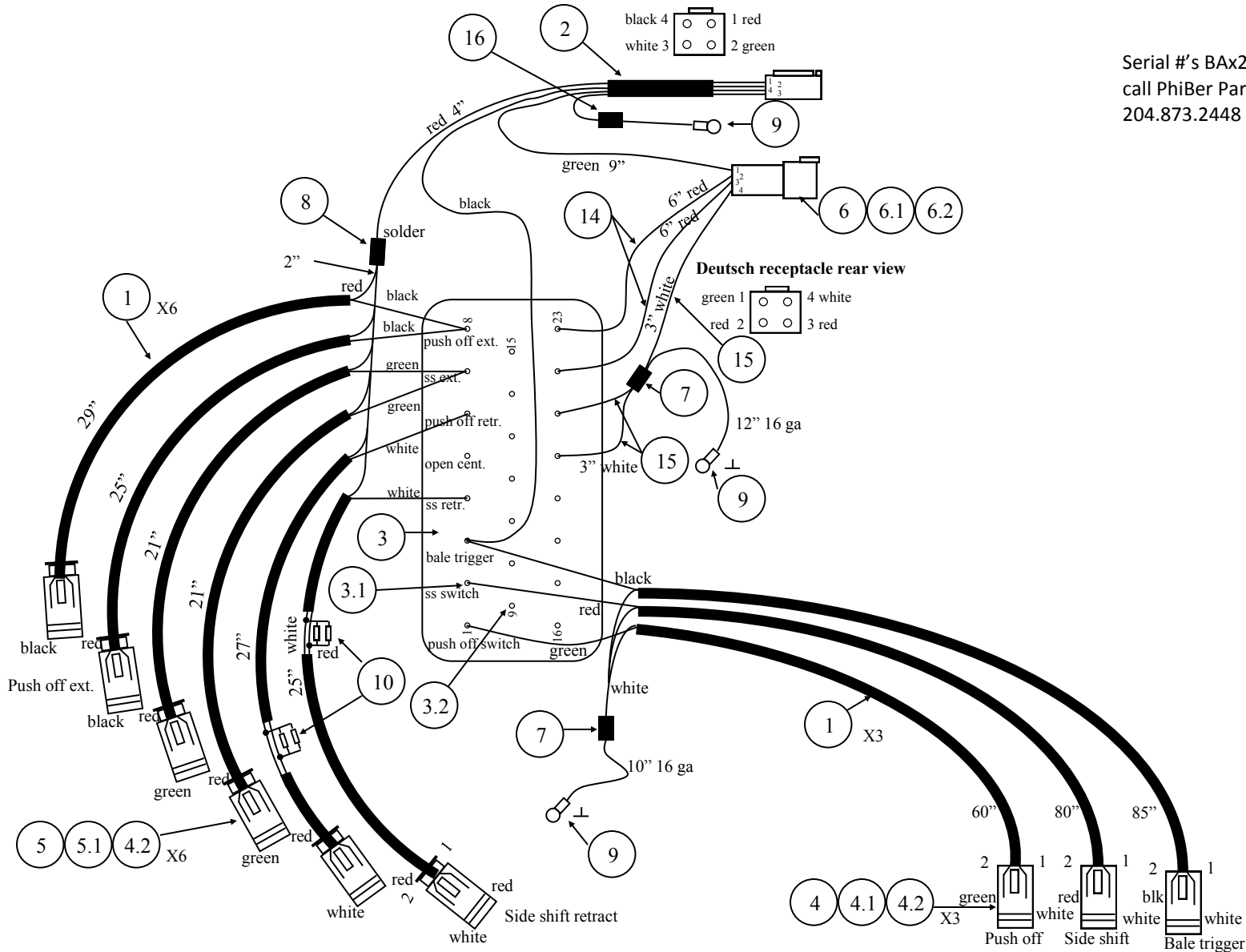
AC3106 / 4106

WIRE HARNESS VT—DEUTSCH

ELC-100367

Serial # BAX2194 AND<

Serial #'s Bax2183 to BAX2194,
call PhiBer Parts Dept for info.
204.873.2448



NOTE:
11 12 13
are not on drawing

AC3106 / 4106

WIRE HARNESS VT—DEUTSCH

ELC-100367

Serial # BAX2194 AND<

ITEM	PART NO	DESCRIPTION	QTY
1	ELC-100101	18/4 ELECTRICAL WIRE COMM.	31.08 FT
2	ELC-100185	16/4 WIRE	10 FT
3	ELC-100251	23 PIN AMPSEAL PLUG	1
3.1	ELC-100252	CONTACT AMPSEAL CRIMP. TERM.	11
3.2	ELC-100253	SEAL PLUG	12
4	ELC-100703	DEUTSCH PLUG 2-PIN	3
4.1	ELC-100704	DEUTSCH PLUG 2-PIN LOCK WEDGE	3
4.2	ELC-100705	DEUTSCH PLUG CRIMP SOCKET	22
5	ELC-100725	AMPHENOL LED CONN. HOUSING	6
5.1	ELC-100726	AMPHENOL WEDGELOCK	6
6	ELC-100720	DEUTSCH RECEPTACLE 4-PIN	1
6.1	ELC-100718	DEUTSCH REC. 4-PIN LOCK WEDGE	1
6.2	ELC-100716	DEUTSCH RECEPTACLE CRIMP PIN	4
7	ELC-100155	CRIMP, BUTT SPLICE, BLUE	2
8	ELC-100249	CRIMP, BUTT SPLICE, YELLOW	1
9	ELC-100188	CRIMP, RING TERMINAL, BLUE	3
10	ELC-100275	POWER RESISTER	4
11	ELC-100171	1/2" HEAT SHRINK TUBING	5 IN
12	ELC-100325	2" HEAT SHRINK TUBE SINGLE WALL	4 IN
13	ELC-100210	5/8 WIRE LOOM	18 IN
14	ELC-100158	16 GAUGE WIRE RED PRIMARY	12 IN
15	ELC-100162	16 GAUGE WIRE WHITE PRIMARY	12 IN
16	ELC-100377	BUTT CONNECTOR NON INSULATED	1

Serial #'s BAX2183 to BAX2194,
call PhiBer Parts Dept for info.
204.873.2448

AC3106 / 4106

WIRE HARNESS PHIBER—DEUTSCH

ELC-100366

Serial # BAX2194 AND<

Serial #'s BAX2183 to BAX2194,
call PhiBer Parts Dept for info.
204.873.2448

ITEM	PART NO	DESCRIPTION	QTY
1	ELC-100101	18/4 ELECTRICAL WIRE COMM.	31.08 FT
2	ELC-100185	16/4 WIRE	10 FT
3	ELC-100170	16/6" WIRE	10 FT
4	ELC-100265	6 PIN TRAILER CONN. MALE	1
5	ELC-100251	23 PIN AMPSEAL PLUG	1
5.1	ELC-100252	CONTACT AMPSEAL CRIMP	15
5.2	ELC-100253	SEAL PLUG FOR ELC-100251	8
6	ELC-100703	DEUTSCH PLUG 2-PIN	3
6.1	ELC-100704	DEUTSCH PLUG 2-PIN LOCK WEDGE	3
6.2	ELC-100705	DEUTSCH PLUG CRIMP SOCKET	26
7	ELC-100725	AMPHENOL LED CONN. HOUSING	6
7.1	ELC-100726	AMPHENOL WEDGELOCK	6
8	ELC-100719	DEUTSCH PLUG 4-PIN	2
8.1	ELC-100717	DEUTSCH PLUG 4-PIN LOCK WEDGE	2
9	ELC-100720	DEUTSCH RECEPTACLE 4-PIN	1
9.1	ELC-100718	DEUTSCH RECEPTACLE 4-PIN LOCK W	1
9.2	ELC-100716	DEUTSCH RECEPTACLE CRIMP PIN	4
10	ELC-100155	CRIMP, BUTT SPLICE, BLUE	2
11	ELC-100249	CRIMP, BUTT SPLICE, YELLOW	2
12	ELC-100188	CRIMP, RING TERMINAL, BLUE	3
13	ELC-100171	1/2" HEAT SHRINK TUBING	5 IN
14	ELC-100325	2" HEAT SHRINK TUBE SINGLE WALL	4 IN
15	ELC-100210	5/8 WIRE LOOM	18 IN
16	ELC-100158	16 GAUGE WIRE RED PRIMARY	12 IN
17	ELC-100162	16 GAUGE WIRE WHITE PRIMARY	12 IN
18	ELC-100177	BUTT CONNECTOR NON INSULATED	1

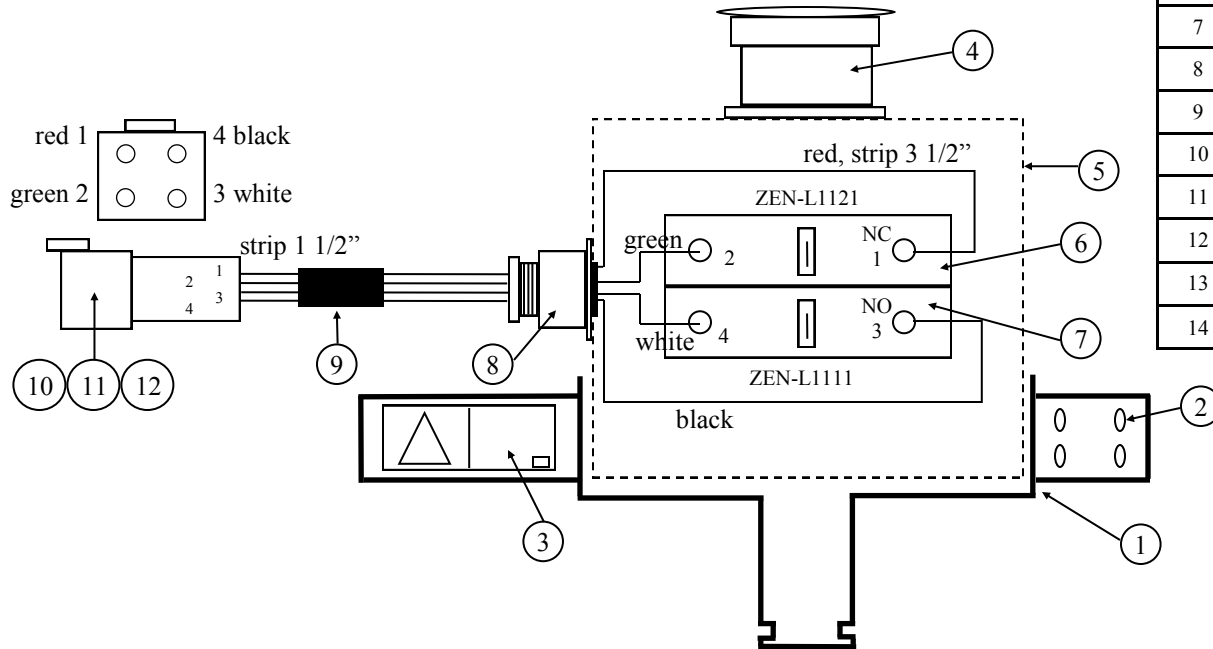
AC3106/4106

EMERGENCY SHUT OFF ASSEMBLY

ASM-100567

Serial # BAX2183 AND<

ITEM	PART NO	DESCRIPTION	QTY
1	PCT-100895	EMERGENCY SHUT OFF BRACKET	1
2	FST-100261	5/16" X 1 1/2" SELF THREADING	4
3	SAF-100104	DECAL EMERGENCY SHUT OFF	1
4	ELC-100364	SAFETY BUTTON SWITCH	1
5	ELC-100365	SAFETY SWITCH ENCLOSURE	1
6	ELC-100371	CONTACT, SWITCH, NC	1
7	ELC-100372	CONTACT, SWITCH, NO	1
8	ELC-100373	STRAIN RELIEF GROMMET	1
9	ELC-100185	16/4 WIRE	7 FT
10	ELC-100720	DEUTSCH RECEPTACLE 4-PIN	1
11	ELC-100718	DEUTSCH REC. 4-PIN LOCK WEDGE	1
12	ELC-100716	DEUTSCH REC. CRIMP PIN	4
13	ELC-100175	#6-32 X 1" STOVE BOLT	2
14	ELC-100202	#6-32 LOCK NUT	2



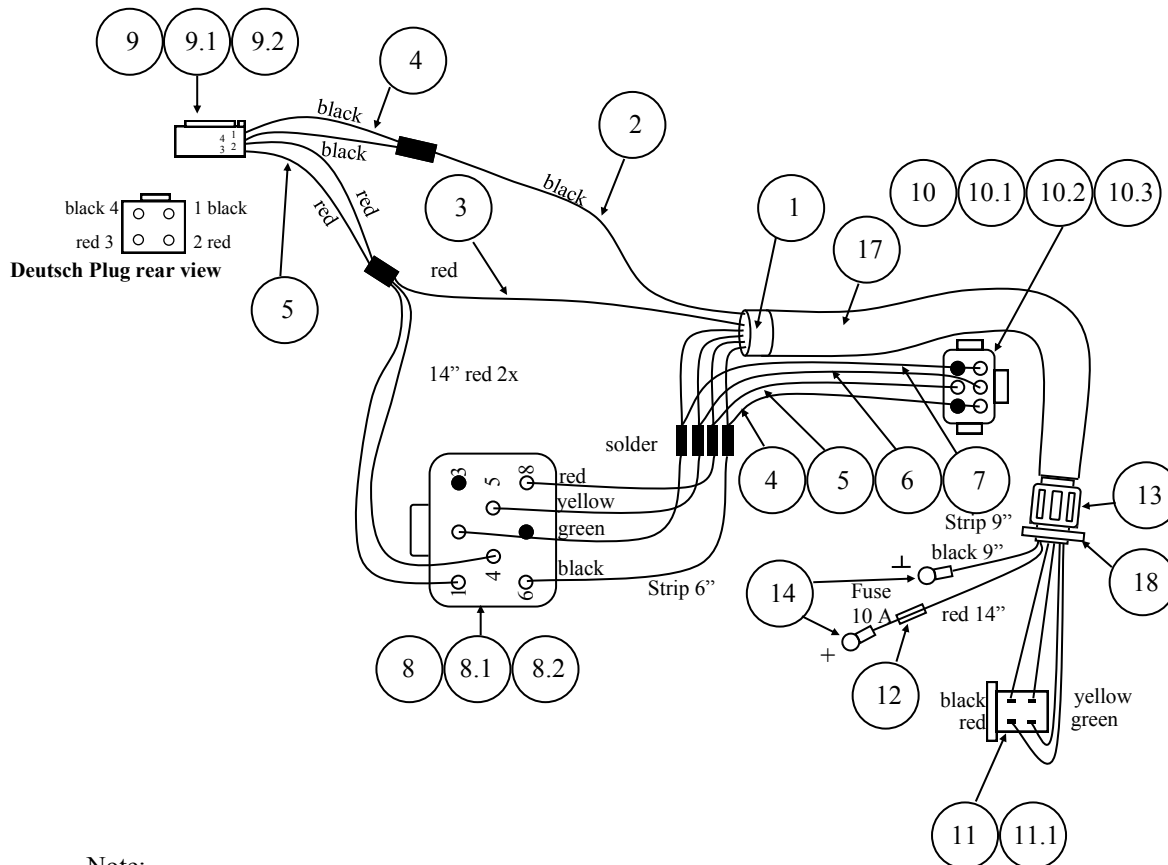
AC3106/4106

TWISTED QUAD HARNESS VT

ELC-100257

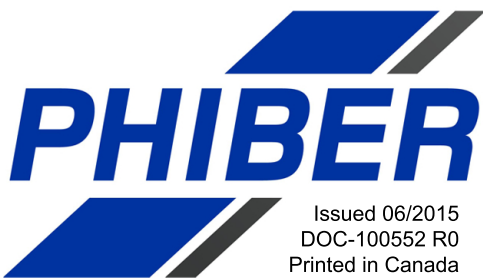
Serial #

AND<



Note:
 15 16
 not shown on drawing

ITEM	PART NO	DESCRIPTION	QTY
1	ELC-100241	TWISTED QUAD WIRE	40 FT
2	ELC-100165	14 GAUGE WIRE BLACK PRIMARY	40 FT
3	ELC-100166	14 GAUGE WIRE RED PRIMARY	40 FT
4	ELC-100159	16 GUAGE WIRE BLACK PRIMARY	9 IN
5	ELC-100158	16 GUAGE WIRE RED PRIMARY	9 IN
6	ELC-100149	16 GUAGE WIRE YELLOW PRIMARY	3 IN
7	ELC-100150	16 GUAGE WIRE GREEN PRIMARY	3 IN
8	ELC-100254	8 PIN AMPSEAL PLUG CONNECTOR	1
8.1	ELC-100252	CONTACT AMPSEAL CRIMP TERM.	6
8.2	ELC-100253	SEAL PLUG	2
9	ELC-100719	DEUTSCH PLUG 4-PIN	1
9.1	ELC-100717	DEUTSCH PLUG 4-PIN LOCK WEDGE	1
9.2	ELC-100705	DEUTSCH PLUG CRIMP SOCKET	4
10	ELC-100266	DELPHI M/P 6F HOUSING	1
10.1	ELC-100267	DELPHI M/P 150 TERMINALS	4
10.2	ELC-100268	DELPHI M/P 150 LOCK	1
10.3	ELC-100269	DELPHI M/P BLUE RUBBER SEAL	6
11	ELC-100262	TYCO CONNECTOR	1
11.1	ELC-100263	CRIMP TERM	4
12	ELC-100274	INLINE FUSE HOLDER	1
13	ELC-100137	3/4" FURREL NUT/GROMMET SCEP-TER	1
14	ELC-100199	CRIMP, RING TERMINAL, YELLOW	2
15	ELC-100207	3/16" HEAT SHRINK	3 IN
16	ELC-100138	1/4" HEAT SHRINK TUBING	5 IN
17	ELC-100186	1/2" WIRE LOOM	38 FT
18	SAW-100922	PLASTIC GROMMET, VT	1



PhiBer Manufacturing Inc.
Box 58 Crystal City, MB
Canada R0K 0N0