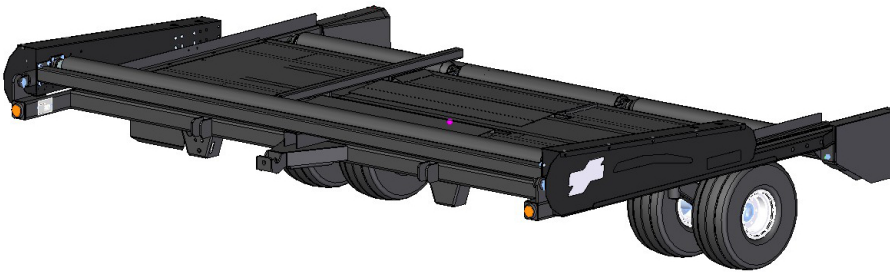


PhiBer Big Bale Accumulator



Models: AC3108(S,B), AC4108(S,B)



INNOVATIONS FOR PROGRESSIVE PEOPLE

PART'S MANUAL

www.phiber.ca

This page is intentionally left blank

AC3108 STANDARD ACCUMULATOR.....	1-10
AC3108 BALE BUTTON AND SIDE SHIFT	2, 10
AC3108 BALAGE ACCUMULATOR.....	11-15
AC3108 SCALE ACCUMULATOR.....	16-23
AC3108 TAIL GATE.....	24
AC3108 HOSE KIT.....	26-27
AC4108 STANDARD ACCUMULATOR.....	28-36
AC4108 BALE BUTTON AND SIDE SHIFT	29, 36
AC4108 BALAGE ACCUMULATOR.....	37-41
AC4108 SCALE ACCUMULATOR.....	42-49
AC4108 TAIL GATE.....	50
AC4108 HOSE KIT	52-53
FLAT VALVE BLOCK.....	54
LOAD SENSE KIT.....	55
ELECTRICAL CONTROL SYSTEM.....	56-57
DECALS.....	58-59
SHORT CASTER ARM ASSEMBLY	60-61
TALL CASTER ARM ASSEMBLY.....	62-63

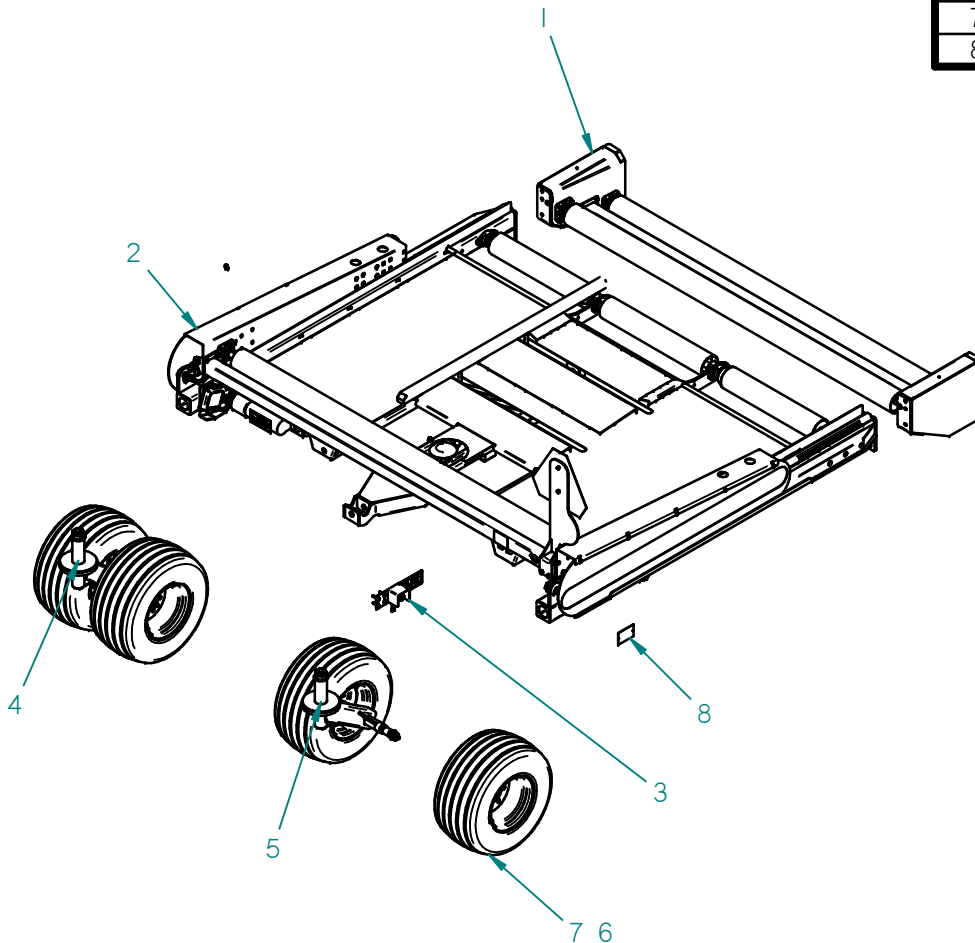
This page is intentionally left blank

AC3108

AC3108 ACCUMULATOR

WHG100554

ITEM	PART NO.	DESCRIPTION	QTY
1	ASMI00566	SQUEEZER TAIL GATE AC3106	1
2	ASMI00801	AC3108 ACCUMULATOR	1
3	ASMI00809	EMERGENCY SHUT OFF ASSEMBLY	1
4	ASMI01082	CASTER ARM (TALL) ASSEMBLY 614	1
5	ASMI01085	CASTER ARM (LOW) ASSEMBLY 614	1
6	CMPI00860	TIRE 26 x 12 x 12 NHS 10PLY ON 2800LB YELLOW	4
7	CMPI01142	TIRE 26 x 12 x 12 10PLY ON 2800LB GREY	4
8	SAFI00200	FLAT ACCUMULATOR SERIAL PLATE	1



OPTIONS	
PART NO.	DESCRIPTION
<u>WHEELS</u>	
CMPI00244	TIRE 26 x 12 x 12 NHS 10 PLY FFS TL
CMPI01141	WHEEL 12 X 10.5 X 6 2800LB GREY
CMPI00861	WHEEL 12 X 10.5 X 6 2800LB YELLOW
<u>DECALS</u>	
SAFI00732	AC3108 PHIBER LH DECAL
SAFI00733	AC3108 PHIBER RH DECAL

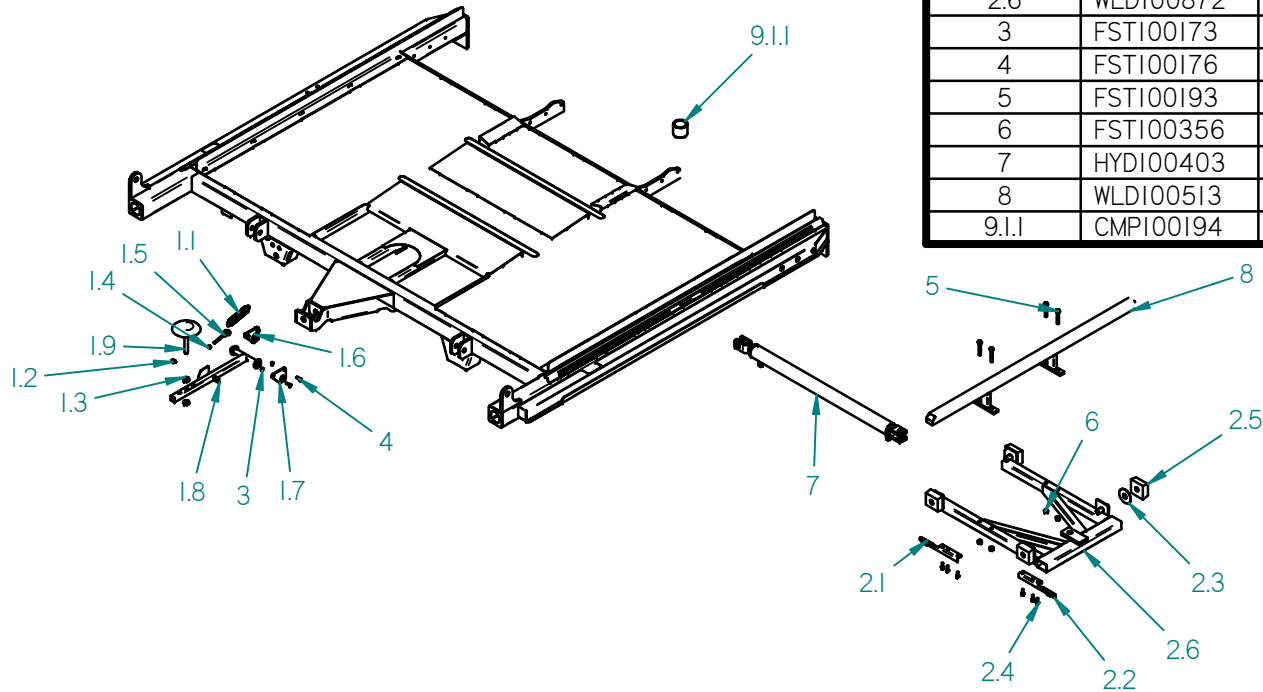
AC3108

AC3108 ACCUMULATOR

ASMI00801

SERIAL # BA42373 AND OVER

ITEM	PART NO.	DESCRIPTION	QTY
1	ASMI00501	ACCUMULATOR BALE SWITCH	1
1.1	CMPI00145	EXTENSION SPRING	1
1.2	ELCI00532	MM-20 PROXIMITY MAGNET	1
1.3	FSTI00117	3/4" NUT	2
1.4	FSTI00206	3/8" LOCKNUT	1
1.5	FSTI00226	3/8" X 3" EYE BOLT	1
1.6	FSTI00262	1" HARDENED WASHER F436	1
1.7	PCTI00864	ACCUMULATOR BALE SWITCH MTG LUG	2
1.8	WLDI00501	ACCUMULATOR BALE SWITCH ARM	1
1.9	WLDI00502	BALE BUTTON	1
2	ASMI00800	3108 SIDE SHIFT ASSEMBLY	1
2.1	ASMI01018	3108 RH SIDE SHIFT TRIGGER ASSEMBLY	1
2.2	ASMI01019	3108 LH SIDE SHIFT TRIGGER ASSEMBLY	1
2.3	CMPI00766	SHIM SIDE SHIFT	8
2.4	FSTI00263	5/16" x 1" SELF TAP	6
2.5	SAWI00411	SIDE SHIFT PLASTIC SLIDER	4
2.6	WLDI00872	SIDE SHIFT TRUCK	1
3	FSTI00173	5/16" LOCK NUT	10
4	FSTI00176	5/16" X 1" CAP SCREW	4
5	FSTI00193	1/2" x 3" BOLT	4
6	FSTI00356	1/2" CRIMP NUT	4
7	HYDI00403	CYL 2.5 X 36	1
8	WLDI00513	SIDE SHIFT SHUTTLE	1
9.1.1	CMPI00194	SPINDLE BUSHING, CASTER BLOCK IGEN	1



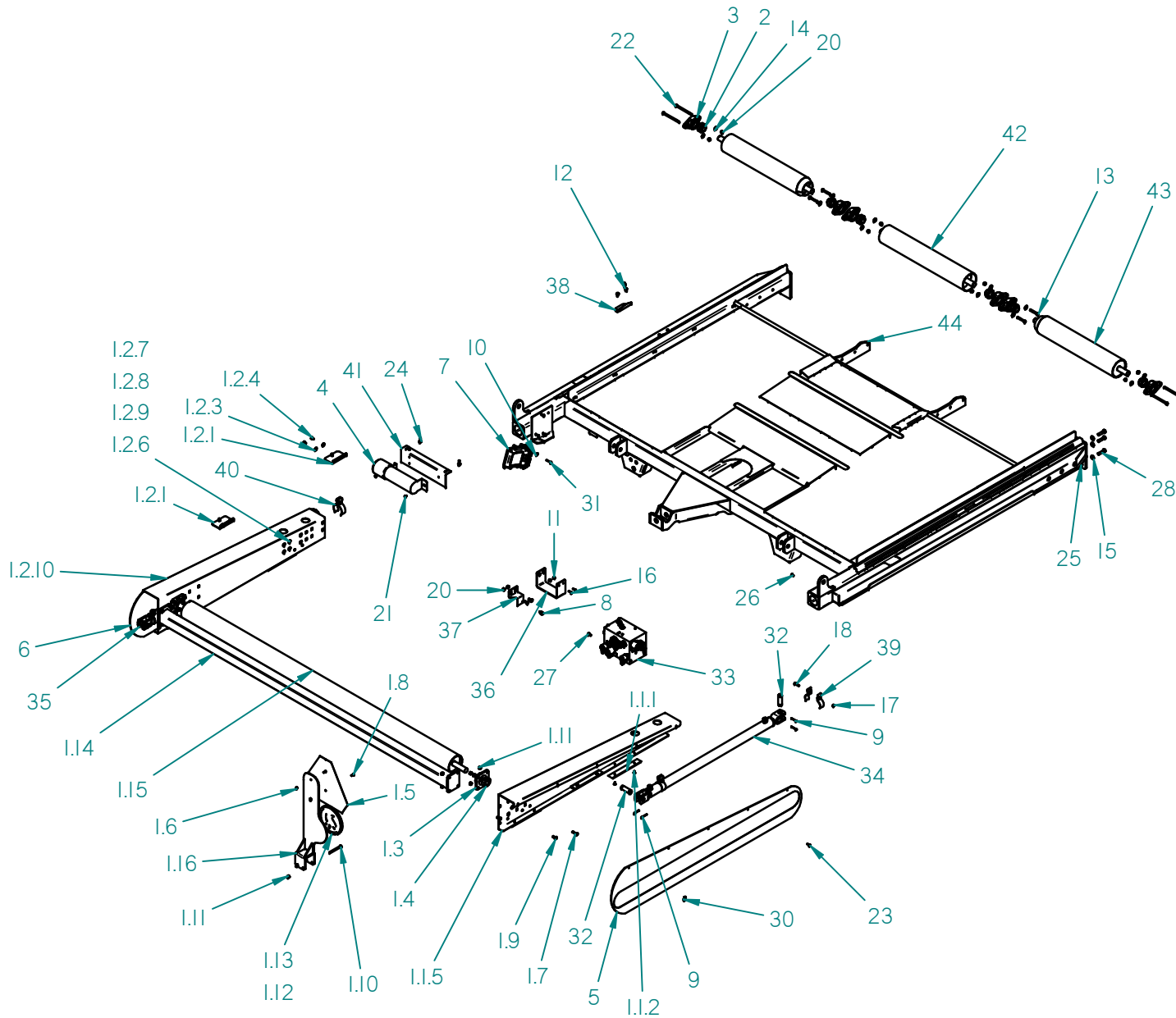
This page is intentionally left blank

AC3108

AC3108 ACCUMULATOR

ASMI00801

SERIAL # PHB03108HL0002430 AND OVER



AC3108 AC3108 ACCUMULATOR ASMI00801

SERIAL # PHB03108HL0002430 AND OVER

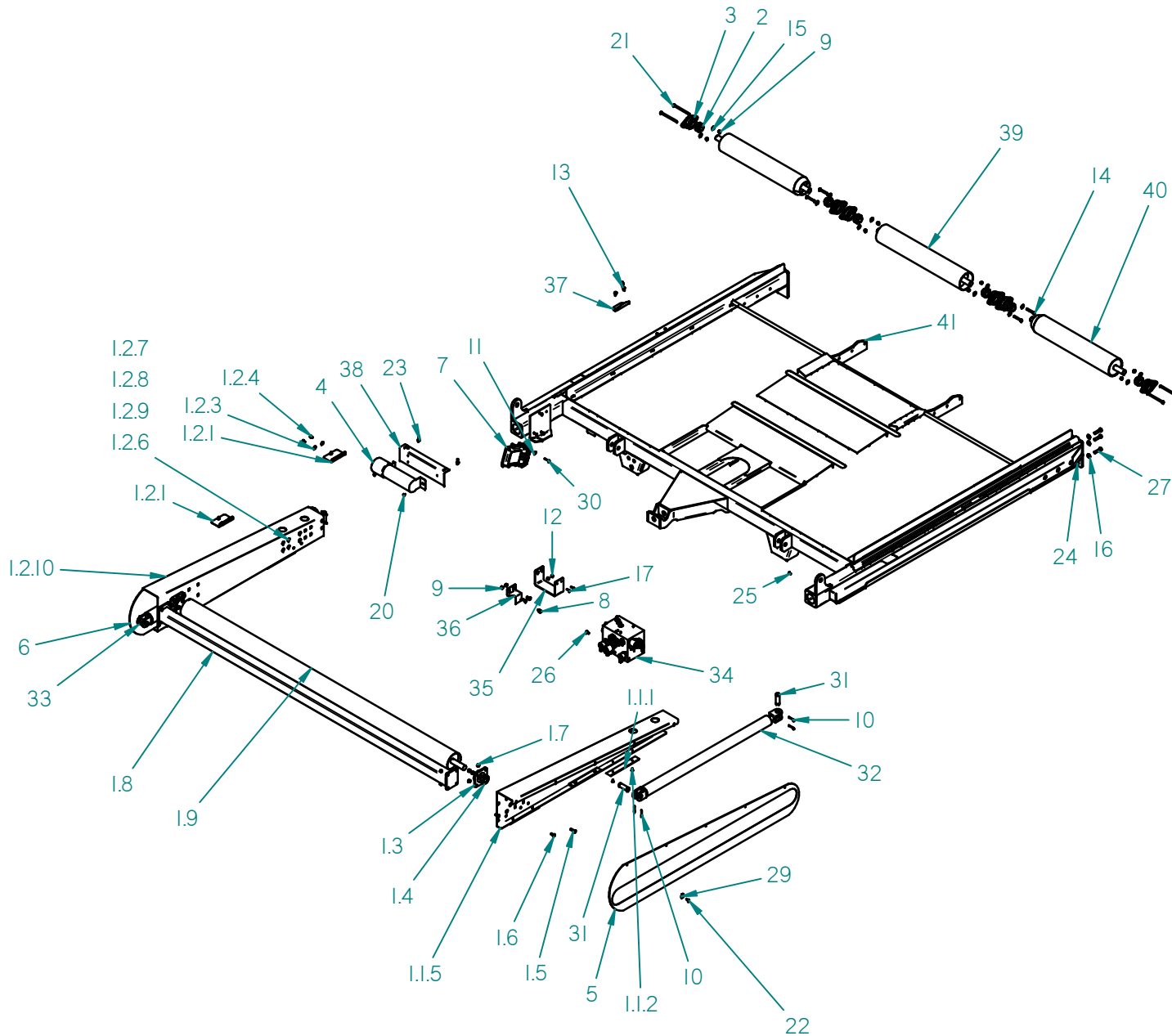
ITEM	PART NO.	DESCRIPTION	QTY	ITEM	PART NO.	DESCRIPTION	QTY
1	ASMI00802	3108 PUSH OFF ASSY	1	6	CMPI00329	RH FLAT PLASTIC SIDE	1
1.1	ASMI00803	PUSH OFF SIDE LH	1	7	ELCI00509	FALCON CONTROLLER, WIFI	1
1.1.1	CMPI00147	PLASTIC STRIP BOTTOM	3	8	ELCI00533	PROXIMITY SWITCH ASSEMBLY	3
1.1.2	FSTI00228	POP RIVET STEEL 3/16 X 1/2 X 5/8 HEAD	6	9	FSTI00127	3/16" X 1 1/2" COTTER PIN	8
1.1.3	FSTI00446	7/16" X 1" CARRIAGE BOLT	6	10	FSTI00134	1/4" FLAT WASHER	4
1.1.4	FSTI00447	7/16" CRIMP LOCK NUT	6	11	FSTI00135	1/4" LOCK NUT	4
1.1.5	PCTI00941	LH PUSH OF SIDE 08 SERIES	1	12	FSTI00142	3/8" X 3/4" CAP SCREW	2
1.1.6	PCTI00943	PUSH OFF LUG 1	1	13	FSTI00144	3/8" X 2 1/2" CAP SCREW	4
1.1.7	PCTI00944	PUSH OFF LUG 2	1	14	FSTI00150	3/8" FLAT WASHER	12
1.2	ASMI01039	PUSH OFF SIDE RH	1	15	FSTI00151	1/2" FLAT WASHER HARDENED	12
1.2.1	ASMI01020	PUSH-OFF MAGNET ACTIVATOR	2	16	FSTI00169	1/4" x 3/4" CAP SCREW	4
1.2.2	CMPI00147	PLASTIC STRIP BOTTOM	3	17	FSTI00173	5/16" LOCK NUT	10
1.2.3	FSTI00174	5/16" FLAT WASHER	4	18	FSTI00177	5/16" X 1 1/4" CAP SCREW	4
1.2.4	FSTI00175	5/16" X 1/2" CAP SCREW	4	19	FSTI00199	3/8" x 1" CARRIAGE BOLT	10
1.2.5	FSTI00228	POP RIVET STEEL 3/16 X 1/2 X 5/8 HEAD	6	20	FSTI00206	3/8" LOCKNUT	10
1.2.6	FSTI00446	7/16" X 1" CARRIAGE BOLT	6	21	FSTI00228	POP RIVET STEEL 3/16 X 1/2 X 5/8 HEAD	3
1.2.7	FSTI00447	7/16" CRIMP LOCK NUT	6	22	FSTI00238	3/8" X 5 1/2" BOLT	4
1.2.8	PCTI00943	PUSH OFF LUG 1	1	23	FSTI00247	1/4" X 3/4" FLANGE BOLTS	10
1.2.9	PCTI00944	PUSH OFF LUG 2	1	24	FSTI00263	5/16" x 1" SELF TAP	8
1.2.10	WLDI01138	RH PUSH OFF SIDE WELDT	1	25	FSTI00356	1/2" CRIMP NUT	10
1.3	CMPI00106	F206 FLANGE BLOCK	2	26	FSTI00366	POP RIVET ALUMINUM 3/16" x 1/2"	2
1.4	CMPI00109	BEARING YET 206-104	2	27	FSTI00417	3/8" X 3/4" SERRATED FLANGE BOLT	4
1.5	CMPI00171	SLOW MOVING VEHICLE (SMV) SIGN	1	28	FSTI00420	1/2" X 2" CAP SCREW GRADE 8	6
1.6	FSTI00135	1/4" LOCK NUT	2	29	FSTI00430	5/16" X 2 1/2" SOCKET HEAD SET SCREW	6
1.7	FSTI00147	3/8" x 1 1/2" CARRIAGE BOLT	8	30	FSTI00451	EXTRUDED U NUT 1/4" -20	10
1.8	FSTI00169	1/4" x 3/4" CAP SCREW	2	31	FSTI00461	1/4" X 1 1/2" BLACK PAN HEAD MACHINE	4
1.9	FSTI00199	3/8" x 1" CARRIAGE BOLT	8	32	FSTI00703	1" X 2 1/4" CYLINDER PIN USEABLE LENGTH	4
1.10	FSTI00200	3/8" X 4" CAP SCREW	2	33	HYDI00670	VALVE BLOCK FLAT ACC	1
1.11	FSTI00206	3/8" LOCKNUT	18	34	HYDI00923	CYL 2.0 X 40 X 1.25 ROD SLAVE	1
1.12	SAFI00761	SIS DECAL METRIC	1	35	HYDI00924	CYL 2.5 X 40 X 1.5 ROD MASTER	1
1.13	SAFI00764	SIS DECAL US	1	36	PCTI00855	SAFETY STOP	1
1.14	WLDI00412	AC3104 PUSHOFF STABILIZER BAR	1	37	PCTI00967	BALE TRIGGER SENSOR MOUNT	1
1.15	WLDI00420	LONG ROLLER, AC3104	1	38	PCTI01177	ACC PO SENSOR MOUNT	1
1.16	WLDI01247	SMV AND SIS MOUNT WLDT	1	39	PCTI01683	SLAVE CYL HOSE CLAMP	4
2	CMPI00109	BEARING YET 206-104	6	40	PCTI01684	MASTER CYL HOSE CLAMP	4
3	CMPI00169	FL206 2-BOLT HOUSING	6	41	STMI00423	ACCUMULATOR MUD SHIELD	1
4	CMPI00313	MANUAL CANISTER	1	42	WLDI00424	CENTER ROLLER, AC3104	1
5	CMPI00328	LH FLAT PLASTIC SIDE	1	43	WLDI00517	SIDE ROLLER, AC3104	2
				44	WLDI00876	3108 CHASSIS STAGE 4	1

AC3108

AC3108 ACCUMULATOR

ASMI00801

SERIAL # BA42373 TO PHB04108TL0002429



AC3108

AC3108 ACCUMULATOR

ASMI00801

SERIAL # BA42373 TO PHB04108TL0002429

ITEM	PART NO.	DESCRIPTION	QTY	ITEM	PART NO.	DESCRIPTION	QTY
1	ASMI00802	3108 PUSH OFF ASSY	1	8	ELCI00533	PROXIMITY SWITCH ASSEMBLY	3
1.1	ASMI00803	PUSH OFF SIDE LH	1	9	FST-100206	3/8" LOCKNUT	10
1.1.1	CMPI00147	PLASTIC STRIP BOTTOM	3	10	FST100127	3/16" X 1 1/2" COTTER PIN	8
1.1.2	FST100228	POP RIVET STEEL 3/16 X 1/2 X 5/8 HEAD	6	11	FST100134	1/4" FLAT WASHER	4
1.1.3	FST100446	7/16" X 1" CARRIAGE BOLT	6	12	FST100135	1/4" LOCK NUT	4
1.1.4	FST100447	7/16" CRIMP LOCK NUT	6	13	FST100142	3/8" X 3/4" CAP SCREW	2
1.1.5	PCT100941	LH PUSH OF SIDE 08 SERIES	1	14	FST100144	3/8" X 2 1/2" CAP SCREW	4
1.1.6	PCT100943	PUSH OFF LUG 1	1	15	FST100150	3/8" FLAT WASHER	12
1.1.7	PCT100944	PUSH OFF LUG 2	1	16	FST100151	1/2" FLAT WASHER HARDENED	12
1.2	ASMI01039	PUSH OFF SIDE RH	1	17	FST100169	1/4" x 3/4" CAP SCREW	4
1.2.1	ASMI01020	PUSH-OFF MAGNET ACTIVATOR	2	18	FST100173	5/16" LOCK NUT	4
1.2.2	CMPI00147	PLASTIC STRIP BOTTOM	3	19	FST100199	3/8" x 1" CARRIAGE BOLT	10
1.2.3	FST100174	5/16" FLAT WASHER	4	20	FST100228	POP RIVET STEEL 3/16 X 1/2 X 5/8 HEAD	3
1.2.4	FST100175	5/16" X 1/2" CAP SCREW	4	21	FST100238	3/8" X 5 1/2" BOLT	4
1.2.5	FST100228	POP RIVET STEEL 3/16 X 1/2 X 5/8 HEAD	6	22	FST100247	1/4" X 3/4" FLANGE BOLTS	10
1.2.6	FST100446	7/16" X 1" CARRIAGE BOLT	6	23	FST100263	5/16" x 1" SELF TAP	8
1.2.7	FST100447	7/16" CRIMP LOCK NUT	6	24	FST100356	1/2" CRIMP NUT	10
1.2.8	PCT100943	PUSH OFF LUG 1	1	25	FST100366	POP RIVET ALUMINUM 3/16" x 1/2"	2
1.2.9	PCT100944	PUSH OFF LUG 2	1	26	FST100417	3/8" X 3/4" SERRATED FLANGE BOLT	4
1.2.10	WLDI01138	RH PUSH OFF SIDE WELDT	1	27	FST100420	1/2" X 2" CAP SCREW GRADE 8	6
1.3	CMPI00106	F206 FLANGE BLOCK	2	28	FST100430	5/16" X 2 1/2" SOCKET HEAD SET SCREW	4
1.4	CMPI00109	BEARING YET 206-104	2	29	FST100451	EXTRUDED U NUT 1/4" -20	10
1.5	FST100147	3/8" x 1 1/2" CARRIAGE BOLT	8	30	FST100461	1/4" X 1 1/2" BLACK PAN HEAD MACHINE	4
1.6	FST100199	3/8" x 1" CARRIAGE BOLT	8	31	FST100703	1" X 2 1/4" CYLINDER PIN USEABLE LENGTH	4
1.7	FST100206	3/8" LOCKNUT	16	32	HYDI00206	CYL 2 X 40 X 1.25 ROD SLAVE	1
1.8	WLDI00412	AC3104 PUSHOFF STABILIZER BAR	1	33	HYDI00207	CYL 2.5 X 40 X 1.5 ROD MASTER	1
1.9	WLDI00420	LONG ROLLER, AC3104	1	34	HYDI00670	VALVE BLOCK FLAT ACC	1
2	CMPI00109	BEARING YET 206-104	6	35	PCT100855	SAFETY STOP	1
3	CMPI00169	FL206 2-BOLT HOUSING	6	36	PCT100967	BALE TRIGGER SENSOR MOUNT	1
4	CMPI00313	MANUAL CANISTER	1	37	PCT101177	ACC PO SENSOR MOUNT	1
5	CMPI00328	LH FLAT PLASTIC SIDE	1	38	STMI00423	ACCUMULATOR MUD SHIELD	1
6	CMPI00329	RH FLAT PLASTIC SIDE	1	39	WLDI00424	CENTER ROLLER, AC3104	1
7	ELCI00509	FALCON CONTROLLER, WIFI	1	40	WLDI00517	SIDE ROLLER, AC3104	2
				41	WLDI00876	3108 CHASSIS STAGE 4	1

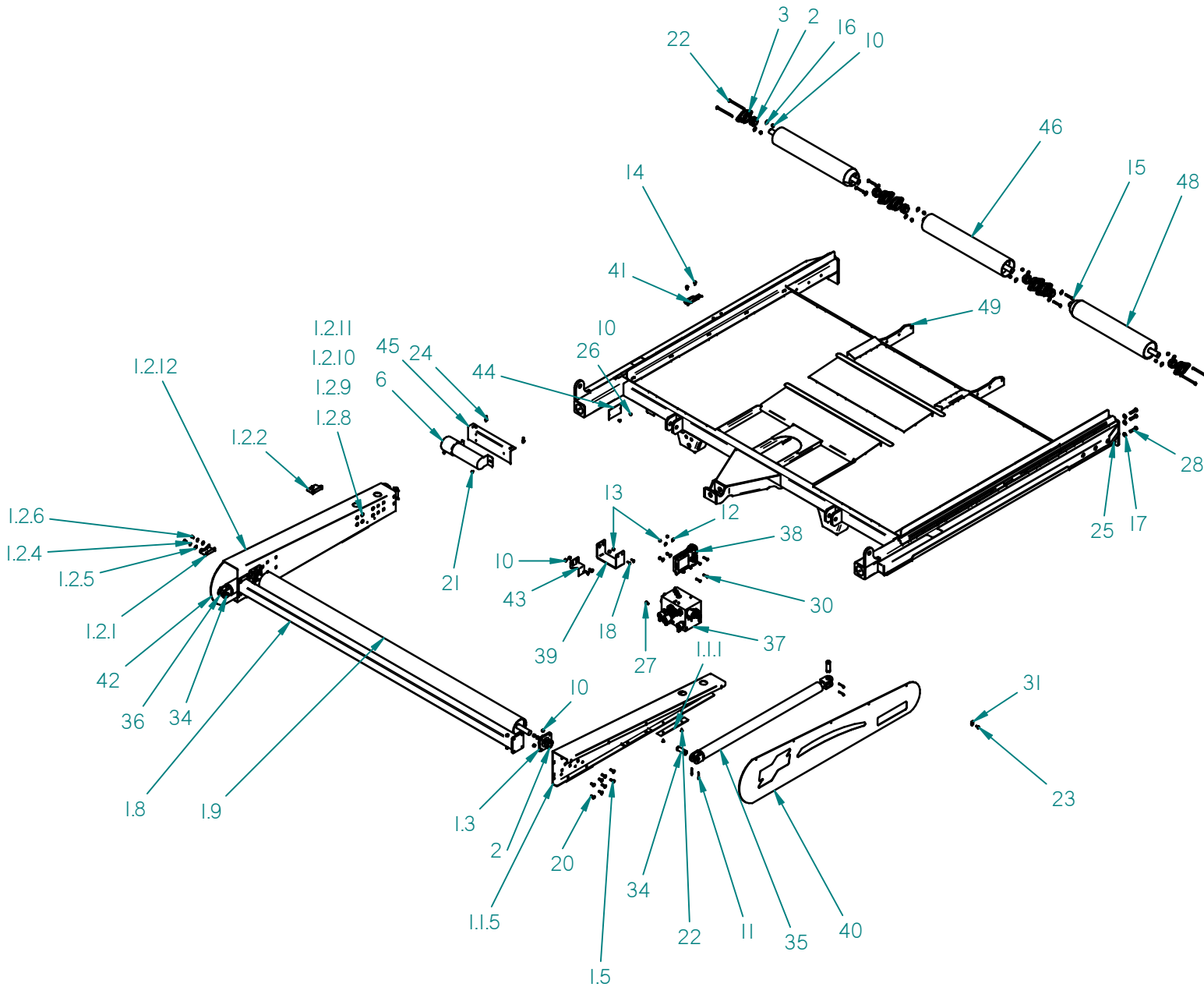
REPLACING # 32, 33 REQUIRES KIT100558- FLAT CYLINDER UPDATE KIT

AC3108

AC3108 ACCUMULATOR

ASMI00801

SERIAL # BA42372 AND UNDER



AC3108

AC3108 ACCUMULATOR

ASMI00801

SERIAL # BA42372 AND UNDER

ITEM	PART NO.	DESCRIPTION	QTY	ITEM	PART NO.	DESCRIPTION	QTY
1	ASMI00802	3108 PUSH OFF ASSY	1	12	FST100134	1/4" FLAT WASHER	4
1.1	ASMI00803	PUSH OFF SIDE LH	1	13	FST100135	1/4" LOCK NUT	8
1.1.1	CMPI00147	PLASTIC STRIP BOTTOM	3	14	FST100142	3/8" X 3/4" CAP SCREW	2
1.1.2	FST100228	POP RIVET STEEL 3/16 X 1/2 X 5/8 HEAD	6	15	FST100144	3/8" X 2 1/2" CAP SCREW	4
1.1.3	FST100446	7/16" X 1" CARRIAGE BOLT	6	16	FST100150	3/8" FLAT WASHER	12
1.1.4	FST100447	7/16" CRIMP LOCK NUT	6	17	FST100151	1/2" FLAT WASHER HARDENED	12
1.1.5	PCT100941	LH PUSH OF SIDE 08 SERIES	1	18	FST100169	1/4" x 3/4" CAP SCREW	4
1.1.6	PCT100943	PUSH OFF LUG 1	1	19	FST100173	5/16" LOCK NUT	4
1.1.7	PCT100944	PUSH OFF LUG 2	1	20	FST100199	3/8" x 1" CARRIAGE BOLT	10
1.2	ASMI00804	PUSH OFF SIDE RH	1	21	FST100228	POP RIVET STEEL 3/16 X 1/2 X 5/8 HEAD	3
1.2.1	ASMI01006	FRONT MAGNET ACTIVATOR	1	22	FST100238	3/8" X 5 1/2" BOLT	4
1.2.2	ASMI01007	REAR MAGNET ACTIVATOR	1	23	FST100247	1/4" X 3/4" FLANGE BOLTS	10
1.2.3	CMPI00147	PLASTIC STRIP BOTTOM	3	24	FST100263	5/16" x 1" SELF TAP	8
1.2.4	FST100138	5/16" LOCK WASHER	4	25	FST100356	1/2" CRIMP NUT	10
1.2.5	FST100174	5/16" FLAT WASHER	8	26	FST100366	POP RIVET ALUMINUM 3/16" x 1/2"	2
1.2.6	FST100175	5/16" X 1/2" CAP SCREW	4	27	FST100417	3/8" X 3/4" SERRATED FLANGE BOLT	4
1.2.7	FST100228	POP RIVET STEEL 3/16 X 1/2 X 5/8 HEAD	6	28	FST100420	1/2" X 2" CAP SCREW GRADE 8	6
1.2.8	FST100446	7/16" X 1" CARRIAGE BOLT	6	29	FST100430	5/16" X 2 1/2" SOCKET HEAD SET SCREW	4
1.2.9	FST100447	7/16" CRIMP LOCK NUT	6	30	FST100448	1/4" X 1 1/2" CARRIAGE BOLT	4
1.2.10	PCT100943	PUSH OFF LUG 1	1	31	FST100451	EXTRUDED U NUT 1/4" -20	10
1.2.11	PCT100944	PUSH OFF LUG 2	1	32	FST100456	#4 X 3/4" PAN HEAD MACHINE SCREW	5
1.2.12	PCT100950	RH PUSH OF SIDE 08 SERIES	1	33	FST100457	#4 NYLOCK NUT	5
1.3	CMPI00106	F206 FLANGE BLOCK	2	34	FST100703	1" X 2 1/4" CYLINDER PIN USEABLE LENGTH	4
1.4	CMPI00109	BEARING YET 206-104	2	35	HYDI00206	CYL 2 X 40 X 1.25 ROD SLAVE	1
1.5	FST100146	3/8" x 1 1/4" CARRIAGE BOLT	8	36	HYDI00207	CYL 2.5 X 40 X 1.5 ROD MASTER	1
1.6	FST100199	3/8" x 1" CARRIAGE BOLT	8	37	HYDI00670	VALVE BLOCK FLAT ACC	1
1.7	FST100206	3/8" LOCKNUT	16	38	KITI00510	FALCON CONTROL KIT FLAT	1
1.8	WLDI00412	AC3104 PUSHOFF STABILIZER BAR	1	39	PCT100855	SAFETY STOP	1
1.9	WLDI00420	LONG ROLLER, AC3104	1	40	PCT100942	PLASTIC SIDE LH	1
2	CMPI00109	BEARING YET 206-104	6	41	PCT100951	ACC PO SENSOR MOUNT	1
3	CMPI00169	FL206 2-BOLT HOUSING	6	42	PCT100953	PLASTIC SIDE LH	1
4	CMPI00309	RING MAGNET R622	1	43	PCT100967	BALE TRIGGER SENSOR MOUNT	1
5	CMPI00311	NYLON WASHER	1	44	SAFI00200	FLAT ACCUMULATOR SERIAL PLATE	1
6	CMPI00313	MANUAL CANISTER	1	45	STMI00423	ACCUMULATOR MUD SHIELD	1
7	CMPI00319	3/8" P-CLIP	1	46	WLDI00424	CENTER ROLLER, AC3104	1
8	DOC100564	OPERATOR MANUAL 3108/4108	1	47	WLDI00513	SIDE SHIFT SHUTTLE	1
9	DOC100700	FLAT ACCUMULATOR QUICK REF	1	48	WLDI00517	SIDE ROLLER, AC3104	2
10	FST-100206	3/8" LOCKNUT	10	49	WLDI00876	3108 CHASSIS STAGE 4	1
11	FST100127	3/16" X 1 1/2" COTTER PIN	8				

REPLACING # 35, 36 REQUIRES KIT100558- FLAT CYLINDER UPDATE KIT

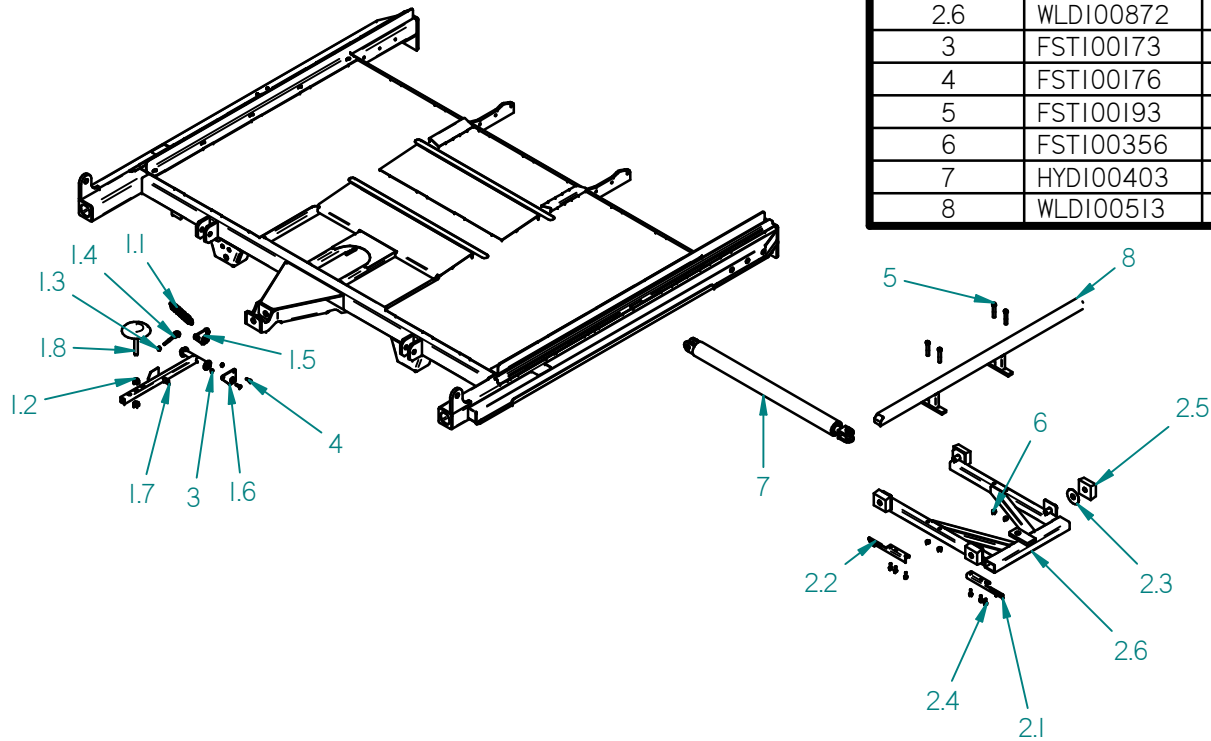
AC3108

AC3108 ACCUMULATOR

ASMI00801

SERIAL # BA42372 AND UNDER

ITEM	PART NO.	DESCRIPTION	QTY
1	ASMI00501	ACCUMULATOR BALE SWITCH	1
1.1	CMPI00145	EXTENSION SPRING	1
1.2	FST100117	3/4" NUT	2
1.3	FST100206	3/8" LOCKNUT	1
1.4	FST100226	3/8" X 3" EYE BOLT	1
1.5	FST100262	1" HARDENED WASHER F436	1
1.6	PCT100864	ACCUMULATOR BALE SWITCH MTG LUG	2
1.7	WLDI00501	ACCUMULATOR BALE SWITCH ARM	1
1.8	WLDI00502	BALE BUTTON	1
2	ASMI00800	3108 SIDE SHIFT ASSEMBLY	1
2.1	ASMI01004	3108 LH SIDE SHIFT TRIGGER ASSEMBLY	1
2.2	ASMI01005	3108 RH SIDE SHIFT TRIGGER ASSEMBLY	1
2.3	CMPI00766	SHIM SIDE SHIFT	8
2.4	FST100263	5/16" x 1" SELF TAP	6
2.5	SAWI00411	SIDE SHIFT PLASTIC SLIDER	4
2.6	WLDI00872	SIDE SHIFT TRUCK	1
3	FST100173	5/16" LOCK NUT	8
4	FST100176	5/16" X 1" CAP SCREW	4
5	FST100193	1/2" x 3" BOLT	4
6	FST100356	1/2" CRIMP NUT	4
7	HYDI00403	CYL 2.5 X 36	1
8	WLDI00513	SIDE SHIFT SHUTTLE	1

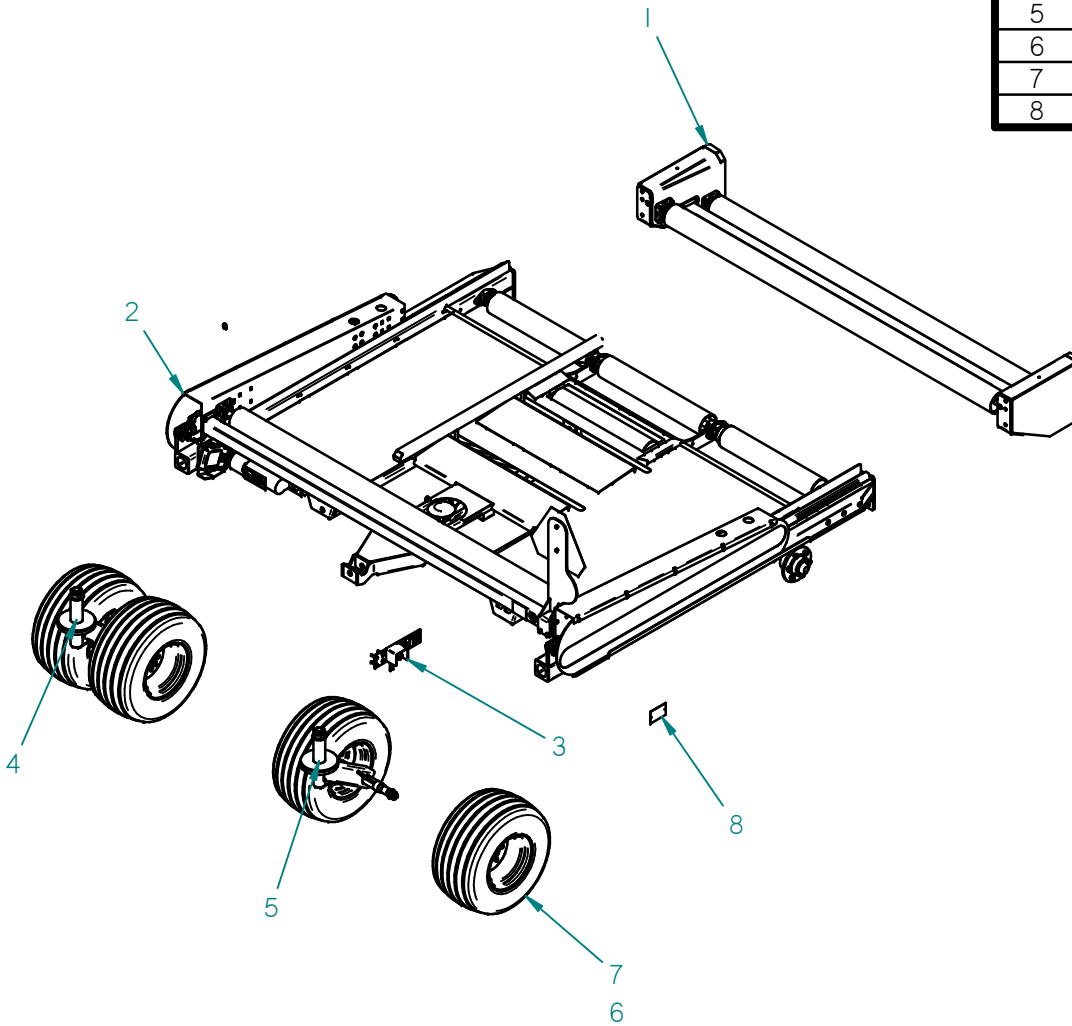


AC3108

AC3108 BALAGE ACCUMULATOR

WHG100554B

ITEM	PART NO.	DESCRIPTION	QTY
1	ASMI00566	SQUEEZER TAIL GATE AC3106	1
2	ASMI00801B	AC3108 BALAGE ACCUMULATOR	1
3	ASMI00809	EMERGENCY SHUT OFF ASSEMBLY	1
4	ASMI01082	CASTER ARM (TALL) ASSEMBLY 614	1
5	ASMI01085	CASTER ARM (LOW) ASSEMBLY 614	1
6	CMPI00860	TIRE 26 x 12 x 12 NHS 10PLY ON 2800LB YELLOW	4
7	CMPI01142	TIRE 26 x 12 x 12 10PLY ON 2800LB GREY	4
8	SAFI00200	FLAT ACCUMULATOR SERIAL PLATE	1



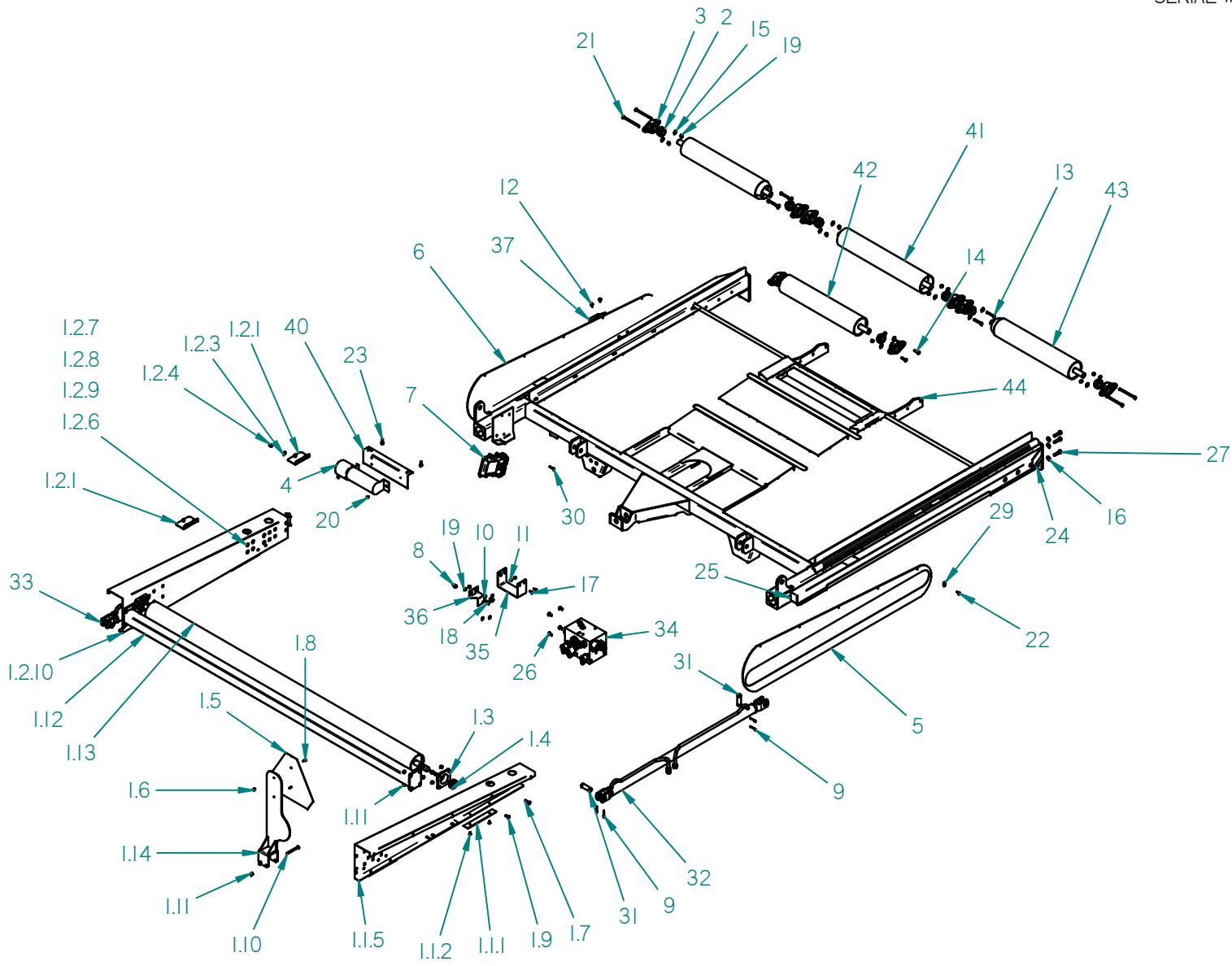
OPTIONS	
Part NO.	Description
<u>WHEELS</u>	
CMPI00244	TIRE 26 x 12 x 12 NHS 10 PLY FFS TL
CMPI00861	WHEEL 12 X 10.5 X 6 2800LB YELLOW
CMPI01141	WHEEL 12 X 10.5 X 6 2800LB GREY
<u>DECALS</u>	
SAFI00732	AC3108 PHIBER LH DECAL
SAFI00733	AC3108 PHIBER RH DECAL

AC3108

AC3108 BALAGE ACCUMULATOR

ASMI00801B

SERIAL # BA42373 AND OVER



AC3108

AC3108 BALAGE ACCUMULATOR

ASMI00801B

SERIAL # BA42373 AND OVER

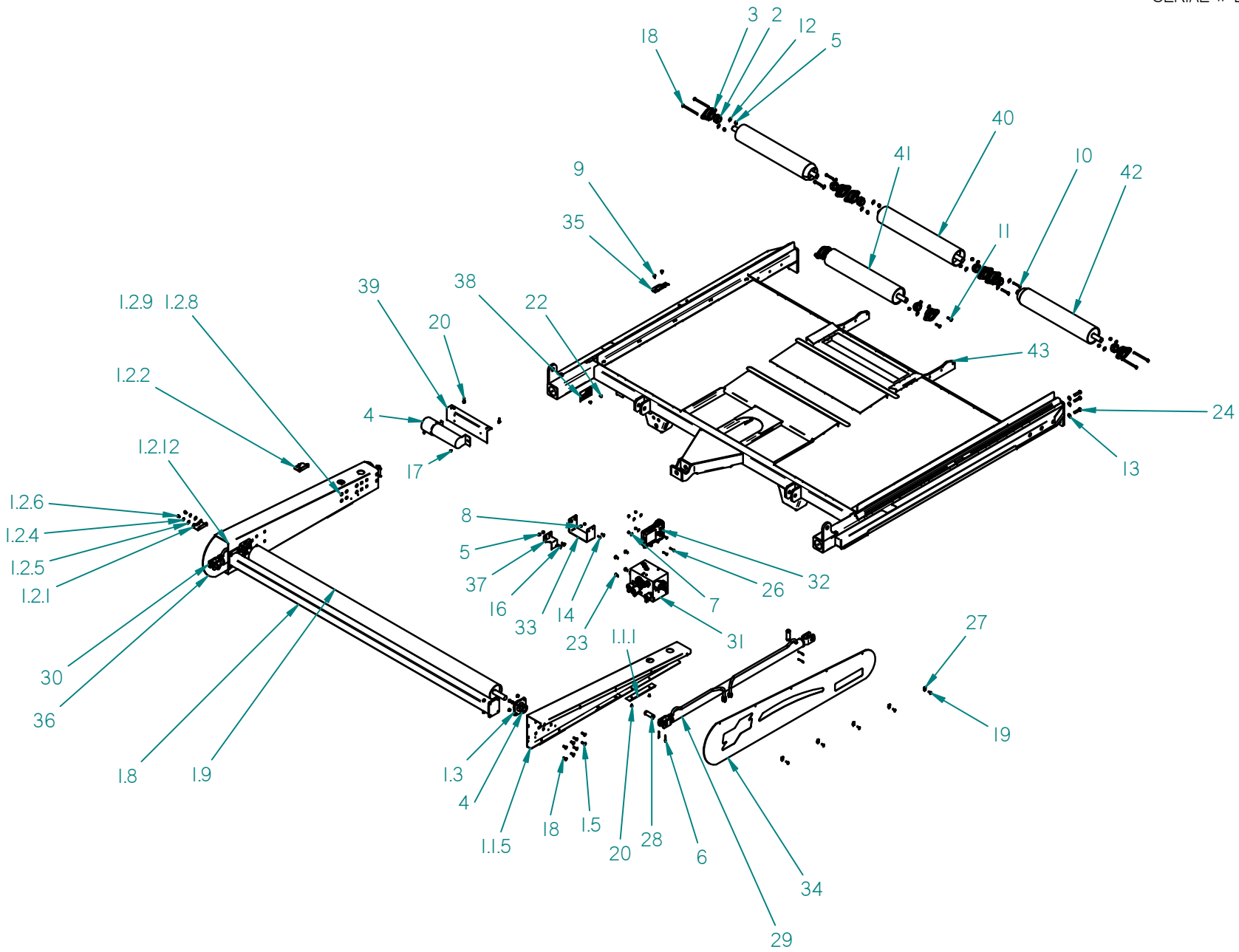
ITEM	PART NO.	DESCRIPTION	QTY	ITEM	PART NO.	DESCRIPTION	QTY
1	ASMI00802	3108 PUSH OFF ASSY	1	8	ELCI00533	PROXIMITY SWITCH ASSEMBLY	3
1.1	ASMI00803	PUSH OFF SIDE LH	1	9	FSTI00127	3/16" X 1 1/2" COTTER PIN	8
1.1.1	CMPI00147	PLASTIC STRIP BOTTOM	3	10	FSTI00134	1/4" FLAT WASHER	4
1.1.2	FSTI00228	POP RIVET STEEL 3/16 X 1/2 X 5/8 HEAD	6	11	FSTI00135	1/4" LOCK NUT	4
1.1.3	FSTI00446	7/16" X 1" CARRIAGE BOLT	6	12	FSTI00142	3/8" X 3/4" CAP SCREW	2
1.1.4	FSTI00447	7/16" CRIMP LOCK NUT	6	13	FSTI00144	3/8" X 2 1/2" CAP SCREW	4
1.1.5	PCTI00941	LH PUSH OF SIDE 08 SERIES	1	14	FSTI00147	3/8" x 1 1/2" CARRIAGE BOLT	4
1.1.6	PCTI00943	PUSH OFF LUG 1	1	15	FSTI00150	3/8" FLAT WASHER	16
1.1.7	PCTI00944	PUSH OFF LUG 2	1	16	FSTI00151	1/2" FLAT WASHER HARDENED	12
1.2	ASMI01039	PUSH OFF SIDE RH	1	17	FSTI00169	1/4" x 3/4" CAP SCREW	4
1.2.1	ASMI01020	PUSH-OFF MAGNET ACTIVATOR	2	18	FSTI00199	3/8" x 1" CARRIAGE BOLT	2
1.2.2	CMPI00147	PLASTIC STRIP BOTTOM	3	19	FSTI00206	3/8" LOCKNUT	14
1.2.3	FSTI00174	5/16" FLAT WASHER	4	20	FSTI00228	POP RIVET STEEL 3/16 X 1/2 X 5/8 HEAD	3
1.2.4	FSTI00175	5/16" X 1/2" CAP SCREW	4	21	FSTI00238	3/8" X 5 1/2" BOLT	4
1.2.5	FSTI00228	POP RIVET STEEL 3/16 X 1/2 X 5/8 HEAD	6	22	FSTI00247	1/4" X 3/4" FLANGE BOLTS	10
1.2.6	FSTI00446	7/16" X 1" CARRIAGE BOLT	6	23	FSTI00263	5/16" x 1" SELF TAP	2
1.2.7	FSTI00447	7/16" CRIMP LOCK NUT	6	24	FSTI00356	1/2" CRIMP NUT	10
1.2.8	PCTI00943	PUSH OFF LUG 1	1	25	FSTI00366	POP RIVET ALUMINUM 3/16" x 1/2"	2
1.2.9	PCTI00944	PUSH OFF LUG 2	1	26	FSTI00417	3/8" X 3/4" SERRATED FLANGE BOLT	4
1.2.10	WLDI01138	RH PUSH OFF SIDE WELDT	1	27	FSTI00420	1/2" X 2" CAP SCREW GRADE 8	6
1.3	CMPI00106	F206 FLANGE BLOCK	2	28	FSTI00430	5/16" X 2 1/2" SOCKET HEAD SET SCREW	4
1.4	CMPI00109	BEARING YET 206-104	2	29	FSTI00451	EXTRUDED U NUT 1/4" -20	10
1.5	CMPI00171	SLOW MOVING VEHICLE (SMV) SIGN	1	30	FSTI00461	1/4" X 1 1/2" BLACK PAN HEAD MACHINE	4
1.6	FSTI00135	1/4" LOCK NUT	2	31	FSTI00703	1" X 2 1/4" CYLINDER PIN USEABLE LENGTH	4
1.7	FSTI00147	3/8" x 1 1/2" CARRIAGE BOLT	8	32	HYDI00401	CYL 2.0 X 48 X 1.25 ROD SLAVE	1
1.8	FSTI00169	1/4" x 3/4" CAP SCREW	2	33	HYDI00402	CYL 2.5 X 48 X 1.5 ROD MASTER	1
1.9	FSTI00199	3/8" x 1" CARRIAGE BOLT	8	34	HYDI00670	VALVE BLOCK FLAT ACC	1
1.10	FSTI00200	3/8" X 4" CAP SCREW	2	35	PCTI00855	SAFETY STOP	1
1.11	FSTI00206	3/8" LOCKNUT	18	36	PCTI00967	BALE TRIGGER SENSOR MOUNT	1
1.12	WLDI00412	AC3104 PUSHOFF STABILIZER BAR	1	37	PCTI01177	ACC PO SENSOR MOUNT	1
1.13	WLDI00420	LONG ROLLER, AC3104	1	38	SAF100112	DECAL WASH MACHINE	1
1.14	WLDI01247	SMV AND SIS MOUNT WLDT	1	39	SAF100763	HORIZONTAL TRAINING QR DECAL	1
2	CMPI00109	BEARING YET 206-104	8	40	STMI00423	ACCUMULATOR MUD SHIELD	1
3	CMPI00169	FL206 2-BOLT HOUSING	8	41	WLDI00424	CENTER ROLLER, AC3104	1
4	CMPI00313	MANUAL CANISTER	1	42	WLDI00516	AC3102 CENTER BALAGE ROLLER	1
5	CMPI00328	LH FLAT PLASTIC SIDE	1	43	WLDI00517	SIDE ROLLER, AC3104	2
6	CMPI00329	RH FLAT PLASTIC SIDE	1	44	WLDI00876B	3108 CHASSIS STAGE 4 BALAGE	1
7	ELCI00509	FALCON CONTROLLER, WIFI	1				

AC3108

AC3108 BALAGE ACCUMULATOR

ASMI00801B

SERIAL # BA42372 AND UNDER



AC3108

AC3108 BALAGE ACCUMULATOR

ASMI00801B

SERIAL # BA42372 AND UNDER

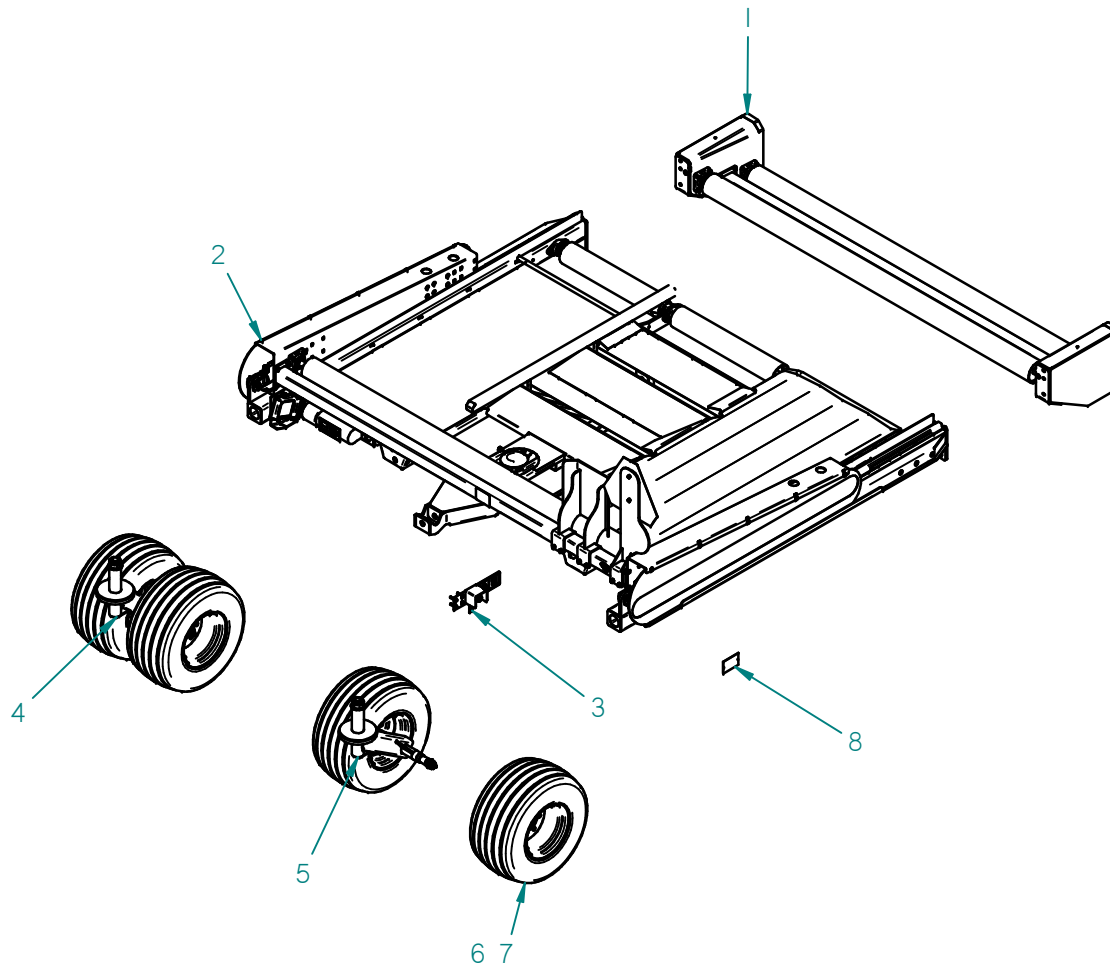
ITEM	PART NO.	DESCRIPTION	QTY	ITEM	PART NO.	DESCRIPTION	QTY
1	ASMI00802	3108 PUSH OFF ASSY	1	8	FST100135	1/4" LOCK NUT	8
1.1	ASMI00803	PUSH OFF SIDE LH	1	9	FST100142	3/8" X 3/4" CAP SCREW	2
1.1.1	CMPI00147	PLASTIC STRIP BOTTOM	3	10	FST100144	3/8" X 2 1/2" CAP SCREW	4
1.1.2	FST100228	POP RIVET STEEL 3/16 X 1/2 X 5/8 HEAD	6	11	FST100147	3/8" x 1 1/2" CARRIAGE BOLT	4
1.1.3	FST100446	7/16" X 1" CARRIAGE BOLT	6	12	FST100150	3/8" FLAT WASHER	16
1.1.4	FST100447	7/16" CRIMP LOCK NUT	6	13	FST100151	1/2" FLAT WASHER HARDENED	12
1.1.5	PCT100941	LH PUSH OF SIDE 08 SERIES	1	14	FST100169	1/4" x 3/4" CAP SCREW	4
1.1.6	PCT100943	PUSH OFF LUG 1	1	15	FST100173	5/16" LOCK NUT	8
1.1.7	PCT100944	PUSH OFF LUG 2	1	16	FST100199	3/8" x 1" CARRIAGE BOLT	2
1.2	ASMI00804	PUSH OFF SIDE RH	1	17	FST100228	POP RIVET STEEL 3/16 X 1/2 X 5/8 HEAD	3
1.2.1	ASMI01006	FRONT MAGNET ACTIVATOR	1	18	FST100238	3/8" X 5 1/2" BOLT	4
1.2.2	ASMI01007	REAR MAGNET ACTIVATOR	1	19	FST100247	1/4" X 3/4" FLANGE BOLTS	10
1.2.3	CMPI00147	PLASTIC STRIP BOTTOM	3	20	FST100263	5/16" x 1" SELF TAP	2
1.2.4	FST100138	5/16" LOCK WASHER	4	21	FST100356	1/2" CRIMP NUT	6
1.2.5	FST100174	5/16" FLAT WASHER	8	22	FST100366	POP RIVET ALUMINUM 3/16" x 1/2"	2
1.2.6	FST100175	5/16" X 1/2" CAP SCREW	4	23	FST100417	3/8" X 3/4" SERRATED FLANGE BOLT	4
1.2.7	FST100228	POP RIVET STEEL 3/16 X 1/2 X 5/8 HEAD	6	24	FST100420	1/2" X 2" CAP SCREW GRADE 8	6
1.2.8	FST100446	7/16" X 1" CARRIAGE BOLT	6	25	FST100430	5/16" X 2 1/2" SOCKET HEAD SET SCREW	4
1.2.9	FST100447	7/16" CRIMP LOCK NUT	6	26	FST100448	1/4" X 1 1/2" CARRIAGE BOLT	4
1.2.10	PCT100943	PUSH OFF LUG 1	1	27	FST100451	EXTRUDED U NUT 1/4" -20	10
1.2.11	PCT100944	PUSH OFF LUG 2	1	28	FST100703	1" X 2 1/4" CYLINDER PIN USEABLE LENGTH	4
1.2.12	PCT100950	RH PUSH OF SIDE 08 SERIES	1	29	HYD100401	CYL 2.0 X 48 X 1.25 ROD SLAVE	1
1.3	CMPI00106	F206 FLANGE BLOCK	2	30	HYD100402	CYL 2.5 X 48 X 1.5 ROD MASTER	1
1.4	CMPI00109	BEARING YET 206-104	2	31	HYD100670	VALVE BLOCK FLAT ACC	1
1.5	FST100146	3/8" x 1 1/4" CARRIAGE BOLT	8	32	KIT100510	FALCON CONTROL KIT FLAT	1
1.6	FST100199	3/8" x 1" CARRIAGE BOLT	8	33	PCT100855	SAFETY STOP	1
1.7	FST100206	3/8" LOCKNUT	16	34	PCT100942	PLASTIC SIDE LH	1
1.8	WLD100412	AC3104 PUSHOFF STABILIZER BAR	1	35	PCT100951	ACC PO SENSOR MOUNT	1
1.9	WLD100420	LONG ROLLER, AC3104	1	36	PCT100953	PLASTIC SIDE LH	1
2	CMPI00109	BEARING YET 206-104	8	37	PCT100967	BALE TRIGGER SENSOR MOUNT	1
3	CMPI00169	FL206 2-BOLT HOUSING	8	38	SAF100200	FLAT ACCUMULATOR SERIAL PLATE	1
4	CMPI00313	MANUAL CANISTER	1	39	STM100423	ACCUMULATOR MUD SHIELD	1
5	FST-100206	3/8" LOCKNUT	14	40	WLD100424	CENTER ROLLER, AC3104	1
6	FST100127	3/16" X 1 1/2" COTTER PIN	8	41	WLD100516	AC3102 CENTER BALAGE ROLLER	1
7	FST100134	1/4" FLAT WASHER	4	42	WLD100517	SIDE ROLLER, AC3104	2
				43	WLD100876B	3108 CHASSIS STAGE 4 BALAGE	1

AC3108

AC3108 SCALE ACCUMULATOR

WHG100554S

ITEM	PART NO.	DESCRIPTION	QTY
1	ASMI00566	SQUEEZER TAIL GATE AC3106	1
2	ASMI00801S	AC3108 SCALE ACCUMULATOR	1
3	ASMI00809	EMERGENCY SHUT OFF ASSEMBLY	1
4	ASMI01082	CASTER ARM (TALL) ASSEMBLY 614	1
5	ASMI01085	CASTER ARM (LOW) ASSEMBLY 614	1
6	CMP100860	TIRE 26 x 12 x 12 NHS 10PLY ON 2800LB YELLOW	4
7	CMP101142	TIRE 26 x 12 x 12 10PLY ON 2800LB GREY	4
8	SAFI00200	FLAT ACCUMULATOR SERIAL PLATE	1



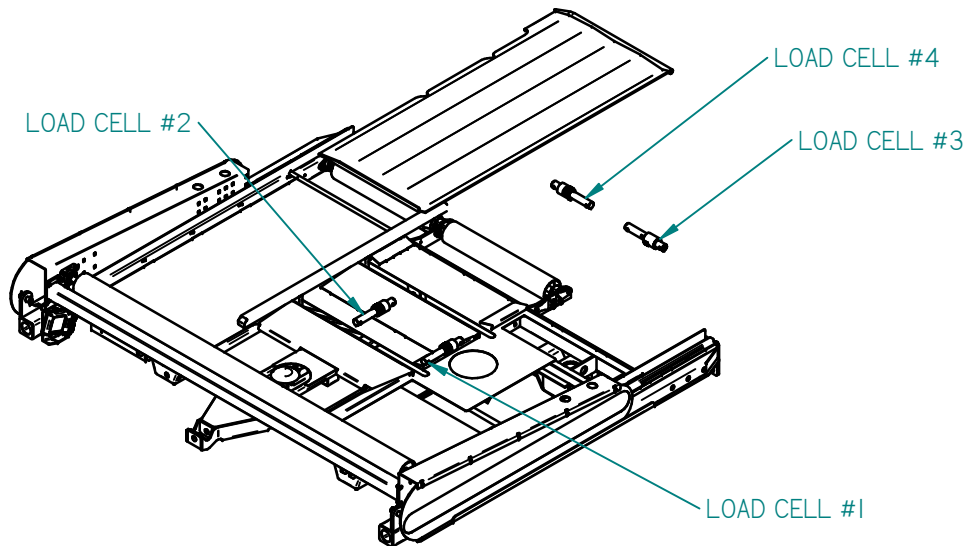
OPTIONS	
Part NO.	Description
<u>WHEELS</u>	
CMP100244	TIRE 26 x 12 x 12 NHS 10 PLY FFS TL
CMP101141	WHEEL 12 X 10.5 X 6 2800LB GREY
CMP100861	WHEEL 12 X 10.5 X 6 2800LB YELLOW
<u>DECALS</u>	
SAFI00733	AC3108 PHIBER RH DECAL
SAFI00732	AC3108 PHIBER LH DECAL

AC3108

AC3108 SCALE ACCUMULATOR

ASMI00801S

MERLIN PINOUT			
LOAD CELL	WIRE COLOUR	SIGNAL NAME	MERLIN CONNECTOR-PIN
LOAD CELL #1	RED	EXCITATION (+)	A-2
LOAD CELL #1	BLACK	EXCITATION (-)	A-4
LOAD CELL #1	WHITE	SIGNAL (+)	A-11
LOAD CELL #1	GREEN	SIGNAL (-)	A-12
LOAD CELL #1	NO INSULATION	SHIELD	TWISTED W/OTHER SHIELDS
LOAD CELL #2	RED	EXCITATION (+)	A-1
LOAD CELL #2	BLACK	EXCITATION (-)	A-3
LOAD CELL #2	WHITE	SIGNAL (+)	A-5
LOAD CELL #2	GREEN	SIGNAL (-)	A-6
LOAD CELL #2	NO INSULATION	SHIELD	TWISTED W/OTHER SHIELDS
LOAD CELL #3	RED	EXCITATION (+)	B-12
LOAD CELL #3	BLACK	EXCITATION (-)	B-9
LOAD CELL #3	WHITE	SIGNAL (+)	B-1
LOAD CELL #3	GREEN	SIGNAL (-)	B-2
LOAD CELL #3	NO INSULATION	SHIELD	TWISTED W/OTHER SHIELDS
LOAD CELL #4	RED	EXCITATION (+)	B-11
LOAD CELL #4	BLACK	EXCITATION (-)	B-8
LOAD CELL #4	WHITE	SIGNAL (+)	B-3
LOAD CELL #4	GREEN	SIGNAL (-)	B-4
LOAD CELL #4	NO INSULATION	SHIELD	TWISTED W/OTHER SHIELDS

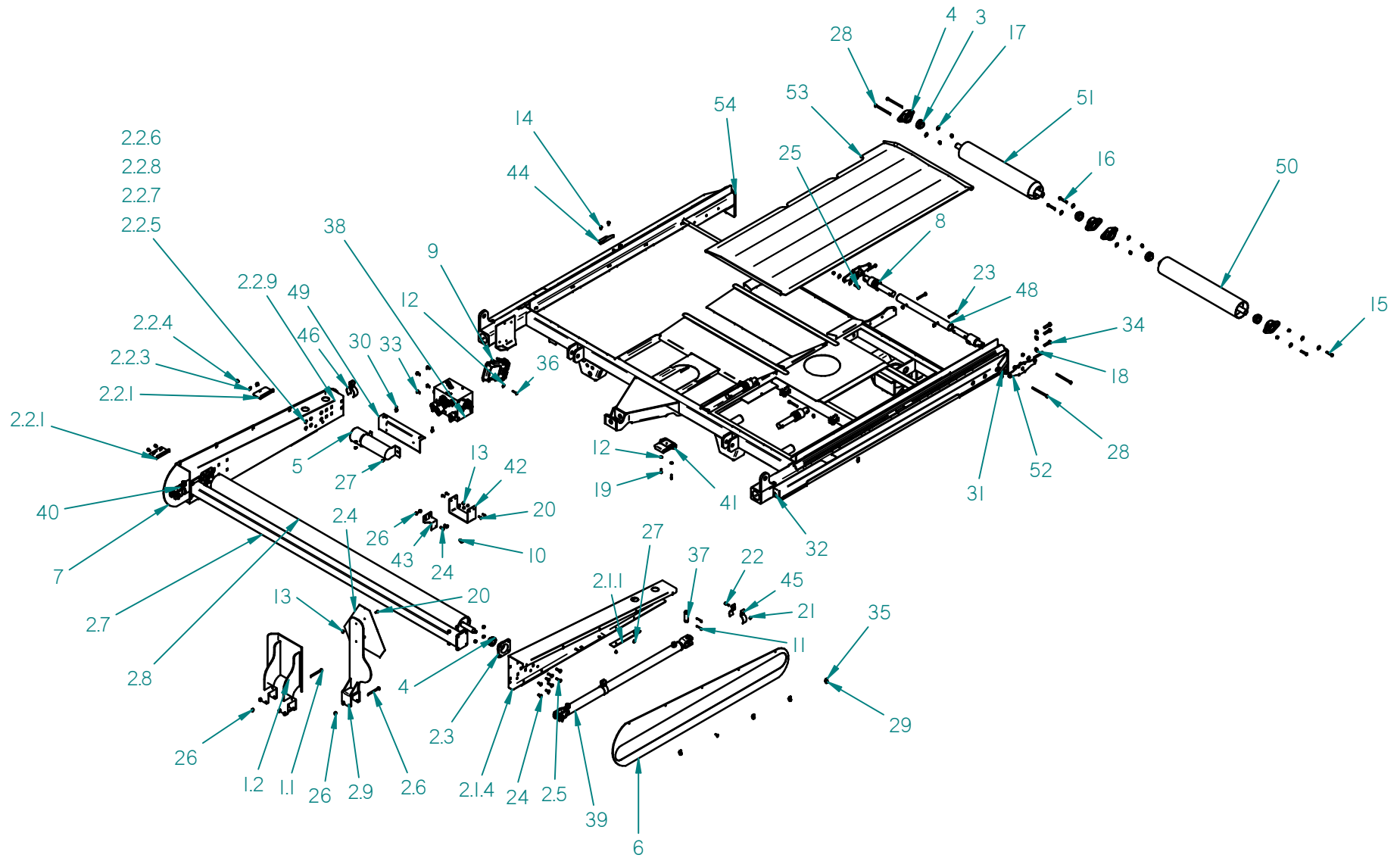


AC3108

AC3108 SCALE ACCUMULATOR

ASMI0080IS

SERIAL # PHB03108HL0002430 AND OVER



AC3108

AC3108 SCALE ACCUMULATOR

ASMI0080IS

SERIAL # PHB03108HL0002430 AND OVER

ITEM	PART NO.	DESCRIPTION	QTY	ITEM	PART NO.	DESCRIPTION	QTY
1	ASMI00677	BALE PUSHOFF HELPER ASSEMBLY	1	15	FST100143	3/8" X 2" CAP SCREW	2
1.1	FST100200	3/8" X 4" CAP SCREW	4	16	FST100144	3/8" X 2 1/2" CAP SCREW	2
1.2	WLDI00677	BALE PUSHOFF HELPER	1	17	FST100150	3/8" FLAT WASHER	13
2	ASMI00802	3108 PUSH OFF ASSY	1	18	FST100151	1/2" FLAT WASHER HARDENED	12
2.1	ASMI00803	PUSH OFF SIDE LH	1	19	FST100156	1/4" X 1" CAP SCREW	2
2.1.1	CMPI00147	PLASTIC STRIP BOTTOM	3	20	FST100169	1/4" x 3/4" CAP SCREW	4
2.1.2	FST100446	7/16" X 1" CARRIAGE BOLT	6	21	FST100173	5/16" LOCK NUT	4
2.1.3	FST100447	7/16" CRIMP LOCK NUT	6	22	FST100177	5/16" X 1 1/4" CAP SCREW	4
2.1.4	PCT100941	LH PUSH OF SIDE 08 SERIES	1	23	FST100182	3/8" X 3" CAP SCREW	8
2.1.5	PCT100943	PUSH OFF LUG 1	1	24	FST100199	3/8" x 1" CARRIAGE BOLT	2
2.1.6	PCT100944	PUSH OFF LUG 2	1	25	FST100201	3/8" X 1 1/2" CAP SCREW	1
2.2	ASMI01039	PUSH OFF SIDE RH	1	26	FST100206	3/8" LOCKNUT	19
2.2.1	ASMI01020	PUSH-OFF MAGNET ACTIVATOR	2	27	FST100228	POP RIVET STEEL 3/16 X 1/2 X 5/8 HEAD	3
2.2.2	CMPI00147	PLASTIC STRIP BOTTOM	3	28	FST100238	3/8" X 5 1/2" BOLT	4
2.2.3	FST100174	5/16" FLAT WASHER	4	29	FST100247	1/4" X 3/4" FLANGE BOLTS	10
2.2.4	FST100175	5/16" X 1/2" CAP SCREW	4	30	FST100263	5/16" x 1" SELF TAP	2
2.2.5	FST100446	7/16" X 1" CARRIAGE BOLT	6	31	FST100356	1/2" CRIMP NUT	10
2.2.6	FST100447	7/16" CRIMP LOCK NUT	6	32	FST100366	POP RIVET ALUMINUM 3/16" x 1/2"	2
2.2.7	PCT100943	PUSH OFF LUG 1	1	33	FST100417	3/8" X 3/4" SERRATED FLANGE BOLT	4
2.2.8	PCT100944	PUSH OFF LUG 2	1	34	FST100420	1/2" X 2" CAP SCREW GRADE 8	6
2.2.9	WLDI01138	RH PUSH OFF SIDE WELDT	1	35	FST100451	EXTRUDED U NUT 1/4" -20	10
2.3	CMPI00106	F206 FLANGE BLOCK	2	36	FST100461	1/4" X 1 1/2" BLACK PAN HEAD MACHINE	4
2.4	CMPI00171	SLOW MOVING VEHICLE (SMV) SIGN	1	37	FST100703	1" X 2 1/4" CYLINDER PIN USEABLE LENGTH	4
2.5	FST100147	3/8" x 1 1/2" CARRIAGE BOLT	8	38	HYDI00670	VALVE BLOCK FLAT ACC	1
2.6	FST100200	3/8" X 4" CAP SCREW	2	39	HYDI00923	CYL 2.0 X 40 X 1.25 ROD SLAVE	1
2.7	WLDI00412	AC3104 PUSHOFF STABILIZER BAR	1	40	HYDI00924	CYL 2.5 X 40 X 1.5 ROD MASTER	1
2.8	WLDI00420	LONG ROLLER, AC3104	1	41	KITI00520	MERLIN SCALE CONTROLLER KIT	1
2.9	WLDI01247	SMV AND SIS MOUNT WLDT	1	42	PCT100855	SAFETY STOP	1
3	CMPI00109	BEARING YET 206-104	4	43	PCT100967	BALE TRIGGER SENSOR MOUNT	1
4	CMPI00169	FL206 2-BOLT HOUSING	4	44	PCT101177	ACC PO SENSOR MOUNT	1
5	CMPI00313	MANUAL CANISTER	1	45	PCT101683	SLAVE CYL HOSE CLAMP	4
6	CMPI00328	LH FLAT PLASTIC SIDE	1	46	PCT101684	MASTER CYL HOSE CLAMP	4
7	CMPI00329	RH FLAT PLASTIC SIDE	1	47	SAFI00763	HORIZONTAL TRAINING QR DECAL	1
8	ELCI00321	LOAD CELL 2500 LB	4	48	SAWI00007	LOAD CELL MOUNTING TUBE	1
9	ELCI00509	FALCON CONTROLLER, WIFI	1	49	STMI00423	ACCUMULATOR MUD SHIELD	1
10	ELCI00533	PROXIMITY SWITCH ASSEMBLY	3	50	WLDI00424	CENTER ROLLER, AC3104	1
11	FST100127	3/16" X 1 1/2" COTTER PIN	8	51	WLDI00517	SIDE ROLLER, AC3104	1
12	FST100134	1/4" FLAT WASHER	6	52	WLDI00870	REAR BOLT ON LOAD CELL MOUNT	2
13	FST100135	1/4" LOCK NUT	4	53	WLDI00871	BALE SCALE DECK XL 3'	1
14	FST100142	3/8" X 3/4" CAP SCREW	2	54	WLDI00876S	3108 CHASSIS STAGE 4 SCALE	1

AC3108

AC3108 SCALE ACCUMULATOR

ASMI0080IS

SERIAL # BA42373 TO PHB04108TL0002429

ITEM	PART NO.	DESCRIPTION	QTY	ITEM	PART NO.	DESCRIPTION	QTY
1	ASMI00677	BALE PUSHOFF HELPER ASSEMBLY	1	11	FST100127	3/16" X 1 1/2" COTTER PIN	8
1.1	FST100200	3/8" X 4" CAP SCREW	4	12	FST100134	1/4" FLAT WASHER	6
1.2	FST100206	3/8" LOCKNUT	4	13	FST100135	1/4" LOCK NUT	4
1.3	WLDI00677	BALE PUSHOFF HELPER	1	14	FST100142	3/8" X 3/4" CAP SCREW	2
2	ASMI00802	3108 PUSH OFF ASSY	1	15	FST100143	3/8" X 2" CAP SCREW	2
2.1	ASMI00803	PUSH OFF SIDE LH	1	16	FST100144	3/8" X 2 1/2" CAP SCREW	2
2.1.1	CMPI00147	PLASTIC STRIP BOTTOM	3	17	FST100150	3/8" FLAT WASHER	13
2.1.2	FST100228	POP RIVET STEEL 3/16 X 1/2 X 5/8 HEAD	6	18	FST100151	1/2" FLAT WASHER HARDENED	12
2.1.3	FST100446	7/16" X 1" CARRIAGE BOLT	6	19	FST100156	1/4" X 1" CAP SCREW	2
2.1.4	FST100447	7/16" CRIMP LOCK NUT	6	20	FST100169	1/4" x 3/4" CAP SCREW	4
2.1.5	PCTI00941	LH PUSH OF SIDE 08 SERIES	1	21	FST100182	3/8" X 3" CAP SCREW	8
2.1.6	PCTI00943	PUSH OFF LUG 1	1	22	FST100199	3/8" x 1" CARRIAGE BOLT	2
2.1.7	PCTI00944	PUSH OFF LUG 2	1	23	FST100201	3/8" X 1 1/2" CAP SCREW	1
2.2	ASMI01039	PUSH OFF SIDE RH	1	24	FST100206	3/8" LOCKNUT	19
2.2.1	ASMI01020	PUSH-OFF MAGNET ACTIVATOR	2	25	FST100228	POP RIVET STEEL 3/16 X 1/2 X 5/8 HEAD	3
2.2.2	CMPI00147	PLASTIC STRIP BOTTOM	3	26	FST100238	3/8" X 5 1/2" BOLT	4
2.2.3	FST100174	5/16" FLAT WASHER	4	27	FST100247	1/4" X 3/4" FLANGE BOLTS	10
2.2.4	FST100175	5/16" X 1/2" CAP SCREW	4	28	FST100263	5/16" x 1" SELF TAP	2
2.2.5	FST100228	POP RIVET STEEL 3/16 X 1/2 X 5/8 HEAD	6	29	FST100356	1/2" CRIMP NUT	10
2.2.6	FST100446	7/16" X 1" CARRIAGE BOLT	6	30	FST100366	POP RIVET ALUMINUM 3/16" x 1/2"	2
2.2.7	FST100447	7/16" CRIMP LOCK NUT	6	31	FST100417	3/8" X 3/4" SERRATED FLANGE BOLT	4
2.2.8	PCTI00943	PUSH OFF LUG 1	1	32	FST100420	1/2" X 2" CAP SCREW GRADE 8	6
2.2.9	PCTI00944	PUSH OFF LUG 2	1	33	FST100451	EXTRUDED U NUT 1/4" -20	10
2.2.1	WLDI01138	RH PUSH OFF SIDE WELDT	1	34	FST100461	1/4" X 1 1/2" BLACK PAN HEAD MACHINE	4
2.3	CMPI00106	F206 FLANGE BLOCK	2	35	FST100703	1" X 2 1/4" CYLINDER PIN USEABLE LENGTH	4
2.4	CMPI00109	BEARING YET 206-104	2	36	HYDI00206	CYL 2 X 40 X 1.25 ROD SLAVE	1
2.5	FST100147	3/8" x 1 1/2" CARRIAGE BOLT	8	37	HYDI00207	CYL 2.5 X 40 X 1.5 ROD MASTER	1
2.6	FST100199	3/8" x 1" CARRIAGE BOLT	8	38	HYDI00670	VALVE BLOCK FLAT ACC	1
2.7	FST100206	3/8" LOCKNUT	16	39	KITI00520	MERLIN SCALE CONTROLLER KIT	1
2.8	WLDI00412	AC3104 PUSHOFF STABILIZER BAR	1	40	PCTI00855	SAFETY STOP	1
2.9	WLDI00420	LONG ROLLER, AC3104	1	41	PCTI00967	BALE TRIGGER SENSOR MOUNT	1
3	CMPI00109	BEARING YET 206-104	4	42	PCTI01177	ACC PO SENSOR MOUNT	1
4	CMPI00169	FL206 2-BOLT HOUSING	4	43	SAWI00007	LOAD CELL MOUNTING TUBE	1
5	CMPI00313	MANUAL CANISTER	1	44	STMI00423	ACCUMULATOR MUD SHIELD	1
6	CMPI00328	LH FLAT PLASTIC SIDE	1	45	WLDI00424	CENTER ROLLER, AC3104	1
7	CMPI00329	RH FLAT PLASTIC SIDE	1	46	WLDI00517	SIDE ROLLER, AC3104	1
8	ELCI00321	LOAD CELL (DIGI-STAR)	4	47	WLDI00870	REAR BOLT ON LOAD CELL MOUNT	2
9	ELCI00509	FALCON CONTROLLER, WIFI	1	48	WLDI00871	BALE SCALE DECK XL 3'	1
10	ELCI00533	PROXIMITY SWITCH ASSEMBLY	3	49	WLDI00876S	3108 CHASSIS STAGE 4 SCALE	1

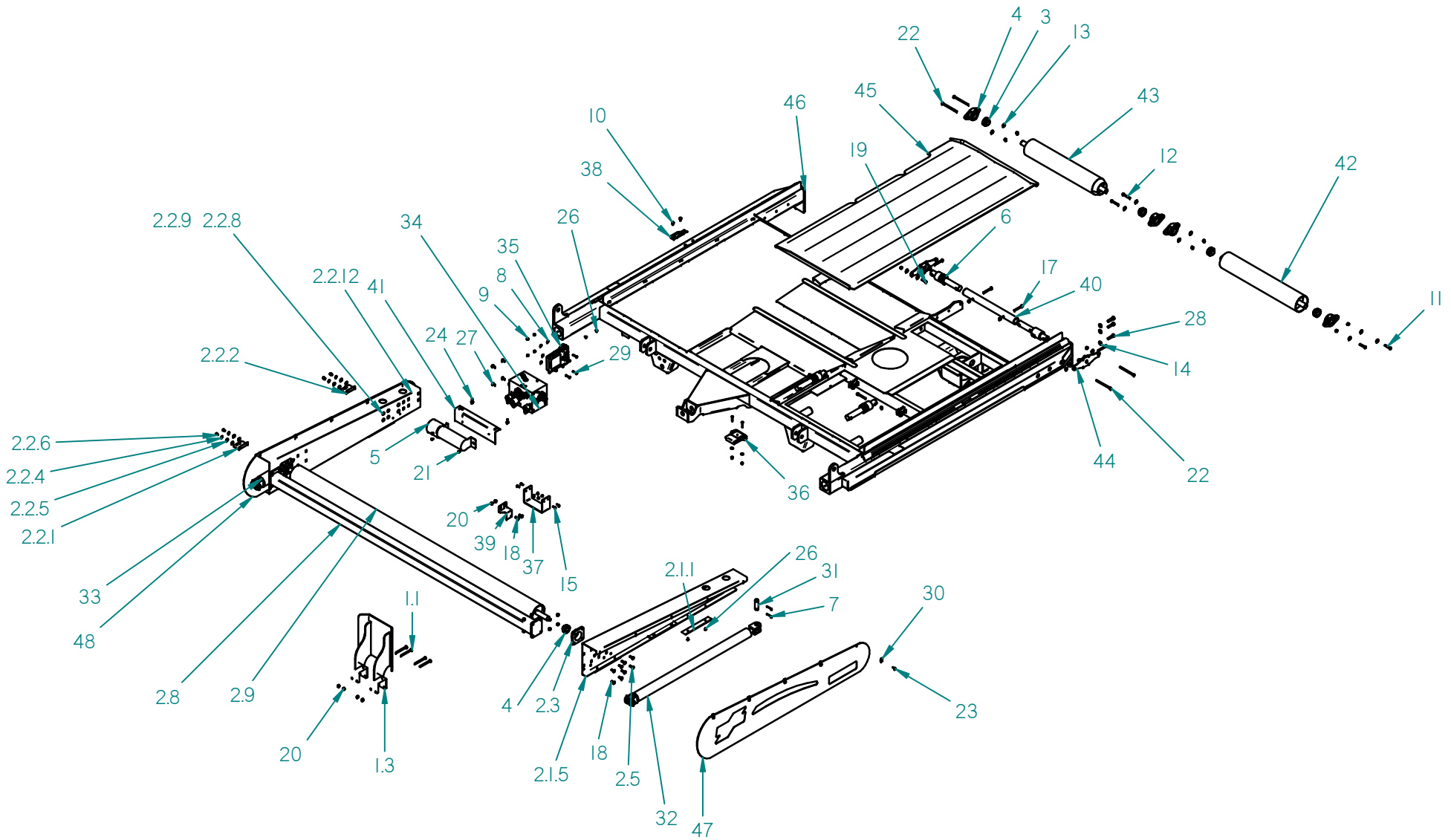
REPLACING # 36, 37 REQUIRES KITI00558- FLAT CYLINDER UPDATE KIT

AC3108

AC3108 SCALE ACCUMULATOR

ASMI0080IS

SERIAL # BA42372 AND UNDER



AC3108

AC3108 SCALE ACCUMULATOR

ASMI0080IS

SERIAL # BA42372 AND UNDER

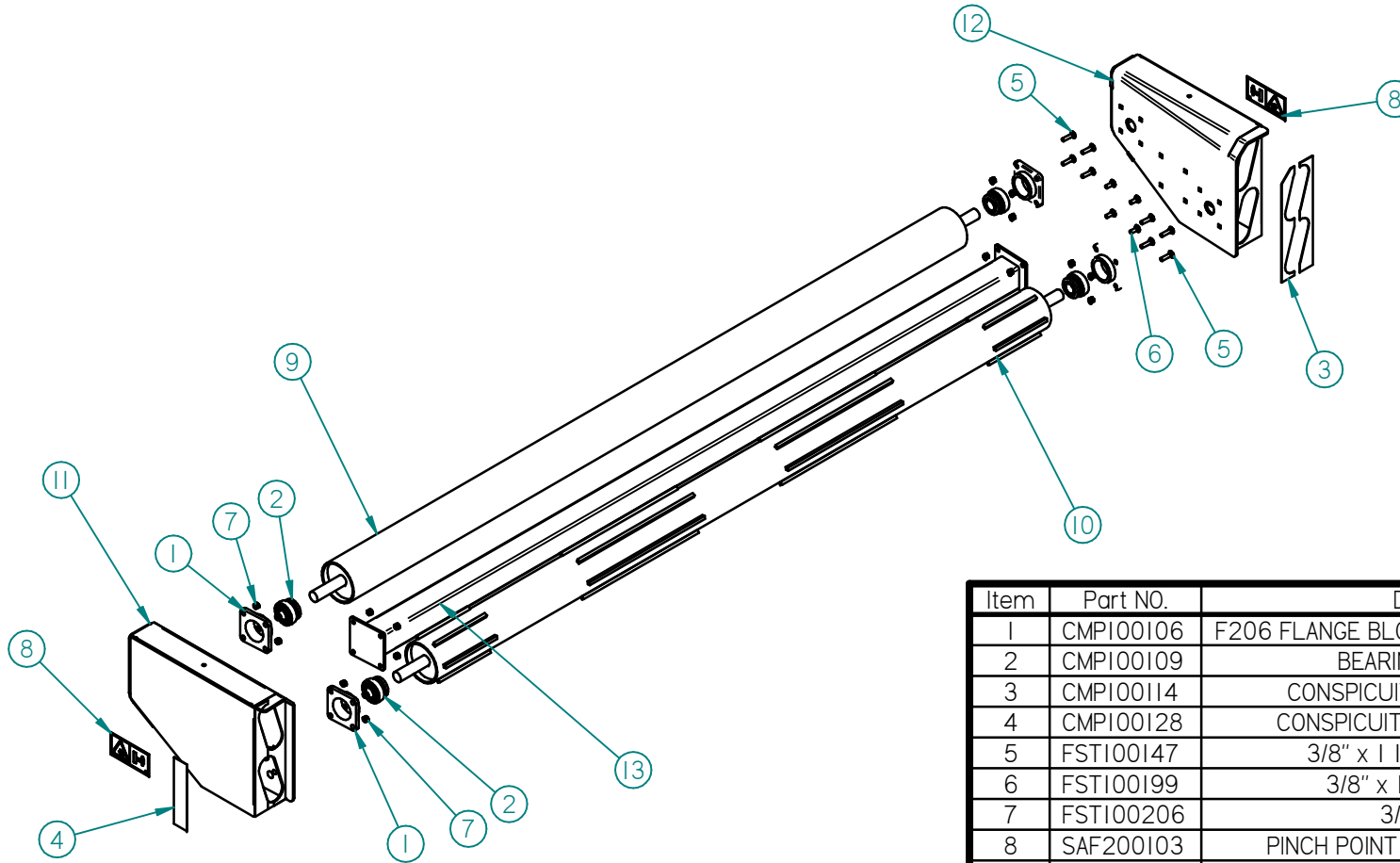
ITEM	PART NO.	DESCRIPTION	QTY	ITEM	PART NO.	DESCRIPTION	QTY
1	ASMI00677	BALE PUSHOFF HELPER ASSEMBLY	1	9	FSTI00135	1/4" LOCK NUT	10
1.1	FSTI00200	3/8" X 4" CAP SCREW	4	10	FSTI00142	3/8" X 3/4" CAP SCREW	2
1.2	FSTI00206	3/8" LOCKNUT	4	11	FSTI00143	3/8" X 2" CAP SCREW	2
1.3	WLDI00677	BALE PUSHOFF HELPER	1	12	FSTI00144	3/8" X 2 1/2" CAP SCREW	2
2	ASMI00802	3108 PUSH OFF ASSY	1	13	FSTI00150	3/8" FLAT WASHER	13
2.1	ASMI00803	PUSH OFF SIDE LH	1	14	FSTI00151	1/2" FLAT WASHER HARDENED	12
2.1.1	CMPI00147	PLASTIC STRIP BOTTOM	3	15	FSTI00169	1/4" x 3/4" CAP SCREW	4
2.1.2	FSTI00228	POP RIVET STEEL 3/16 X 1/2 X 5/8 HEAD	6	16	FSTI00173	5/16" LOCK NUT	4
2.1.3	FSTI00446	7/16" X 1" CARRIAGE BOLT	6	17	FSTI00182	3/8" X 3" CAP SCREW	8
2.1.4	FSTI00447	7/16" CRIMP LOCK NUT	6	18	FSTI00199	3/8" x 1" CARRIAGE BOLT	2
2.1.5	PCTI00941	LH PUSH OF SIDE 08 SERIES	1	19	FSTI00201	3/8" X 1 1/2" CAP SCREW	1
2.1.6	PCTI00943	PUSH OFF LUG 1	1	20	FSTI00206	3/8" LOCKNUT	19
2.1.7	PCTI00944	PUSH OFF LUG 2	1	21	FSTI00228	POP RIVET STEEL 3/16 X 1/2 X 5/8 HEAD	3
2.2	ASMI00804	PUSH OFF SIDE RH	1	22	FSTI00238	3/8" X 5 1/2" BOLT	4
2.2.1	ASMI01006	FRONT MAGNET ACTIVATOR	1	23	FSTI00247	1/4" X 3/4" FLANGE BOLTS	10
2.2.2	ASMI01007	REAR MAGNET ACTIVATOR	1	24	FSTI00263	5/16" x 1" SELF TAP	2
2.2.3	CMPI00147	PLASTIC STRIP BOTTOM	3	25	FSTI00356	1/2" CRIMP NUT	6
2.2.4	FSTI00138	5/16" LOCK WASHER	4	26	FSTI00366	POP RIVET ALUMINUM 3/16" x 1/2"	2
2.2.5	FSTI00174	5/16" FLAT WASHER	8	27	FSTI00417	3/8" X 3/4" SERRATED FLANGE BOLT	4
2.2.6	FSTI00175	5/16" X 1/2" CAP SCREW	4	28	FSTI00420	1/2" X 2" CAP SCREW GRADE 8	6
2.2.7	FSTI00228	POP RIVET STEEL 3/16 X 1/2 X 5/8 HEAD	6	29	FSTI00448	1/4" X 1 1/2" CARRIAGE BOLT	6
2.2.8	FSTI00446	7/16" X 1" CARRIAGE BOLT	6	30	FSTI00451	EXTRUDED U NUT 1/4" -20	10
2.2.9	FSTI00447	7/16" CRIMP LOCK NUT	6	31	FSTI00703	1" X 2 1/4" CYLINDER PIN USEABLE LENGTH	4
2.2.10	PCTI00943	PUSH OFF LUG 1	1	32	HYDI00206	CYL 2 X 40 X 1.25 ROD SLAVE	1
2.2.11	PCTI00944	PUSH OFF LUG 2	1	33	HYDI00207	CYL 2.5 X 40 X 1.5 ROD MASTER	1
2.2.12	PCTI00950	RH PUSH OF SIDE 08 SERIES	1	34	HYDI00670	VALVE BLOCK FLAT ACC	1
2.3	CMPI00106	F206 FLANGE BLOCK	2	35	KIT100510	FALCON CONTROL KIT FLAT	1
2.4	CMPI00109	BEARING YET 206-104	2	36	KIT100520	MERLIN SCALE CONTROLLER KIT	1
2.5	FSTI00146	3/8" x 1 1/4" CARRIAGE BOLT	8	37	PCTI00855	SAFETY STOP	1
2.6	FSTI00199	3/8" x 1" CARRIAGE BOLT	8	38	PCTI00951	ACC PO SENSOR MOUNT	1
2.7	FSTI00206	3/8" LOCKNUT	16	39	PCTI00967	BALE TRIGGER SENSOR MOUNT	1
2.8	WLDI00412	AC3104 PUSHOFF STABILIZER BAR	1	40	SAWI00007	LOAD CELL MOUNTING TUBE	1
2.9	WLDI00420	LONG ROLLER, AC3104	1	41	STMI00423	ACCUMULATOR MUD SHIELD	1
3	CMPI00109	BEARING YET 206-104	4	42	WLDI00424	CENTER ROLLER, AC3104	1
4	CMPI00169	FL206 2-BOLT HOUSING	4	43	WLDI00517	SIDE ROLLER, AC3104	1
5	CMPI00313	MANUAL CANISTER	1	44	WLDI00870	REAR BOLT ON LOAD CELL MOUNT	2
6	ELCI00321	LOAD CELL 2500 LB	4	45	WLDI00871	BALE SCALE DECK XL 3'	1
7	FSTI00127	3/16" X 1 1/2" COTTER PIN	8	46	WLDI00876S	3108 CHASSIS STAGE 4 SCALE	1
8	FSTI00134	1/4" FLAT WASHER	6				

REPLACING # 32, 33 REQUIRES KIT100558- FLAT CYLINDER UPDATE KIT

AC3108

SQUEEZER TAIL GATE AC3106

ASMI00566



Item	Part NO.	Description	QTY
1	CMPI00106	F206 FLANGE BLOCK / YET 206-104 BEARING	4
2	CMPI00109	BEARING YET 206-104	4
3	CMPI00114	CONSPICUITY TAPE - SOLID RED	4
4	CMPI00128	CONSPICUITY TAPE AMBER 2" X 9"	2
5	FSTI00147	3/8" x 1 1/2" CARRIAGE BOLT	16
6	FSTI00199	3/8" x 1" CARRIAGE BOLT	8
7	FSTI00206	3/8" LOCKNUT	24
8	SAF200103	PINCH POINT HAZARD UNDER LIFT IN	2
9	WLDI00420	LONG ROLLER, AC3104	1
10	WLDI00425	ROLLER TUBE (RIBBED), AC3104	1
11	WLDI00834	LH TAIL PIECE SIDE	1
12	WLDI00835	RH TAIL PIECE SIDE	1
13	WLDI00839	SQUEEZER TAIL PIECE TUBE WLD 3106	1

This page is intentionally left blank

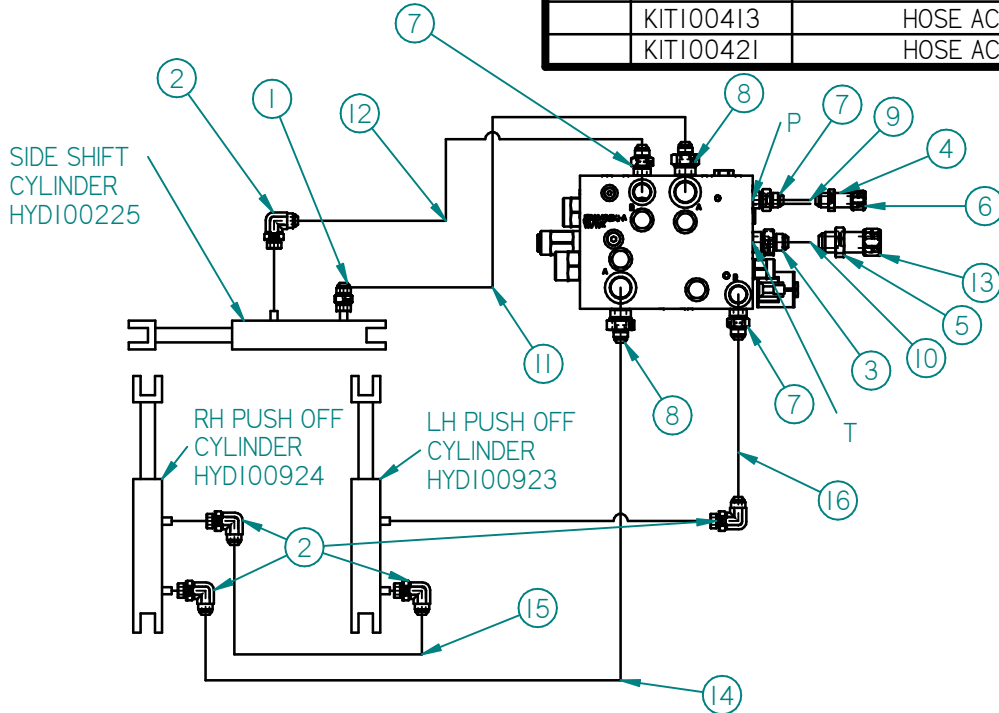
AC3108

HOSE KIT, AC31 SERIES

HYDI00932

SERIAL # PHB03108HL0002430 AND OVER

Item	Part NO.	Description	QTY	FITTINGS
1	HYDI00334	ST ADAPTER 08 MJIC X 08 MORB	1	
2	HYDI00337	ST ELBOW 90 DEG 08 MJIC X 08 MORB	5	
3	HYDI00389	ST ADAPTER 10 MJIC X 12 MORB	1	
4	HYDI00392	ST BULKHEAD 08 MJIC X 08 MJIC	1	
5	HYDI00393	ST BULKHEAD 12 MJIC X 12 MJIC	1	
6	HYDI00530	ST CAP 08 FJIC	1	
7	HYDI00534	ST ADAPTER 08 MJIC X 10 MORB	3	
8	HYDI00578	ST ADAPTER 08 MJIC X 12 MORB	2	
9	HYDI00580	AC3106 / 4106 MAIN PRESSURE HOSE	1	HYDI00534 FINGER TIGHT
10	HYDI00581	AC3106 / 4106 RETURN HOSE	1	HYDI00389 FINGER TIGHT
11	HYDI00584	AC3106 SIDE SHIFT HOSE CAP END	1	HYDI00334, HYDI00578 FINGER TIGHT
12	HYDI00585	AC3106 SIDE SHIFT HOSE ROD END	1	HYDI00337, HYDI00534 FINGER TIGHT
13	HYDI00594	ST CAP 12 FJIC	1	
14	HYDI00937	AC31 PUSH OFF HOSE MASTER CAP END	1	HYDI00337, HYDI00578 FINGER TIGHT
15	HYDI00938	AC31 PUSH OFF HOSE MASTER TO SLAVE	1	HYDI00337 FINGER TIGHT BOTH ENDS
16	HYDI00939	AC31 PUSH OFF HOSE SLAVE ROD END TO RETURN	1	HYDI00337, HYDI00534 FINGER TIGHT
	KIT100413	HOSE ACC. TO TRACTOR 35' (2014)		
	KIT100421	HOSE ACC. TO TRACTOR 38' (2014)		



HYDRAULIC CYLINDERS		
Item	Part NO.	Description
N/A	HYDI00225	CYL 2.5 X 36
	HYDI00608	SEAL KIT AC3104 SS CYL
N/A	HYDI00923	CYL 2.0 X 40 X 1.25 ROD SLAVE
	HYDI00401	CYL 2.0 X 48 X 1.25 ROD SLAVE
	HYDI00606	SEAL KIT, PUSH OFF SLAVE CYLINDER
N/A	HYDI00924	CYL 2.5 X 40 X 1.5 ROD MASTER
	HYDI00402	CYL 2.5 X 48 X 1.5 ROD MASTER
	HYDI00607	SEAL KIT, PUSH OFF MASTER CYLINDER

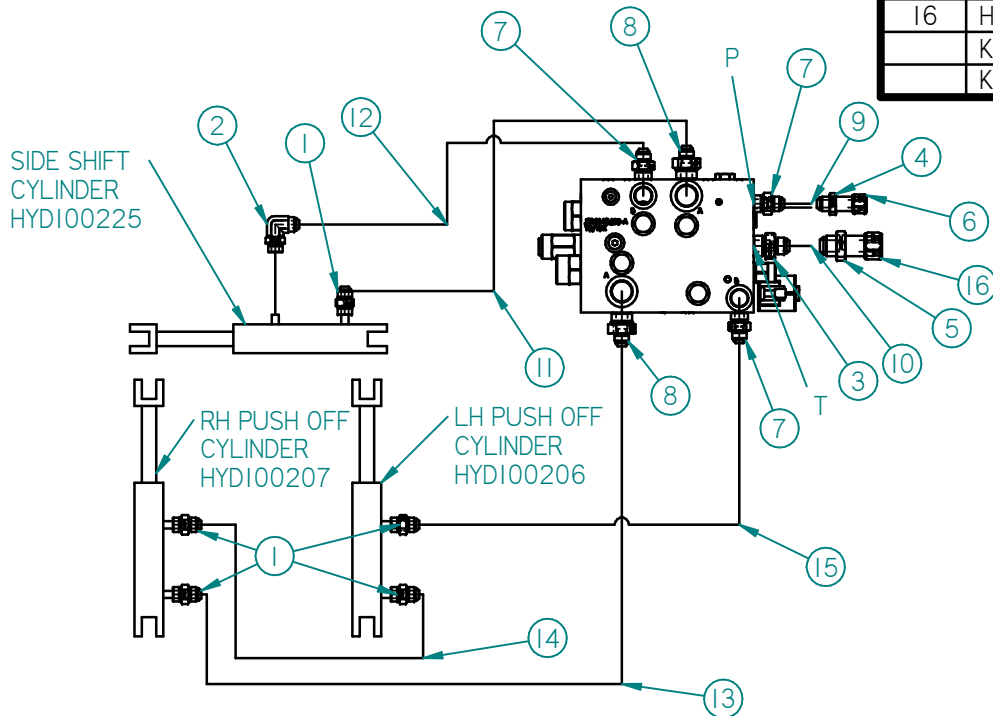
AC3108

HOSE KIT, AC31 SERIES

HYDI00640

SERIAL # PHB04108TL0002429 AND UNDER

Item	Part NO.	Description	QTY	FITTINGS
1	HYDI00334	6400-08-08 ADAPTER, MJIC TO MORB	5	
2	HYDI00337	6801-08-08 ELBOW 90°, MORB to MJIC	1	
3	HYDI00389	ADAPTER 10 MJIC X 12 MORB	1	
4	HYDI00392	BULKHEAD 08 MJIC X 08 MJIC	1	
5	HYDI00393	BULKHEAD 12 MJIC X 12 MJIC	1	
6	HYDI00530	CAP 08 FJIC	1	
7	HYDI00534	ADAPTER 08 MJIC X 10 MORB	3	
8	HYDI00578	6400-08-12 ADAPTER, MALE JIC to MALE	2	
9	HYDI00580	AC3106 / 4106 MAIN PRESSURE HOSE	1	HYDI00534
10	HYDI00581	AC3106 / 4106 RETURN HOSE	1	HYDI00389
11	HYDI00584	AC3106 SIDE SHIFT HOSE CAP END	1	HYDI00334,
12	HYDI00585	AC3106 SIDE SHIFT HOSE ROD END	1	HYDI00337,
13	HYDI00586	AC3106 PUSH OFF HOSE MASTER CAP END	1	HYDI00334,
14	HYDI00587	AC3106 PUSH OFF HOSE MASTER TO SLAVE	1	HYDI00334
15	HYDI00588	AC3106 PUSH OFF HOSE SLAVE ROD END	1	HYDI00334,
16	HYDI00594	CAP 12 FJIC	1	
	KIT100413	HOSE ACC. TO TRACTOR 35' (2014)		
	KIT100421	HOSE ACC. TO TRACTOR 38' (2014)		



HYDRAULIC CYLINDERS		
Item	Part NO.	Description
N/A	HYDI00225	CYL 2.5 X 36
	HYDI00608	SEAL KIT AC3104 SS CYL
N/A	HYDI00206	CYL 2.0 X 40 X 1.25 ROD SLAVE
	HYDI00401	CYL 2.0 X 48 X 1.25 ROD SLAVE
	HYDI00606	SEAL KIT, PUSH OFF SLAVE CYLINDER
N/A	HYDI00207	CYL 2.5 X 40 X 1.5 ROD MASTER
	HYDI00402	CYL 2.5 X 48 X 1.5 ROD MASTER
	HYDI00607	SEAL KIT, PUSH OFF MASTER CYLINDER

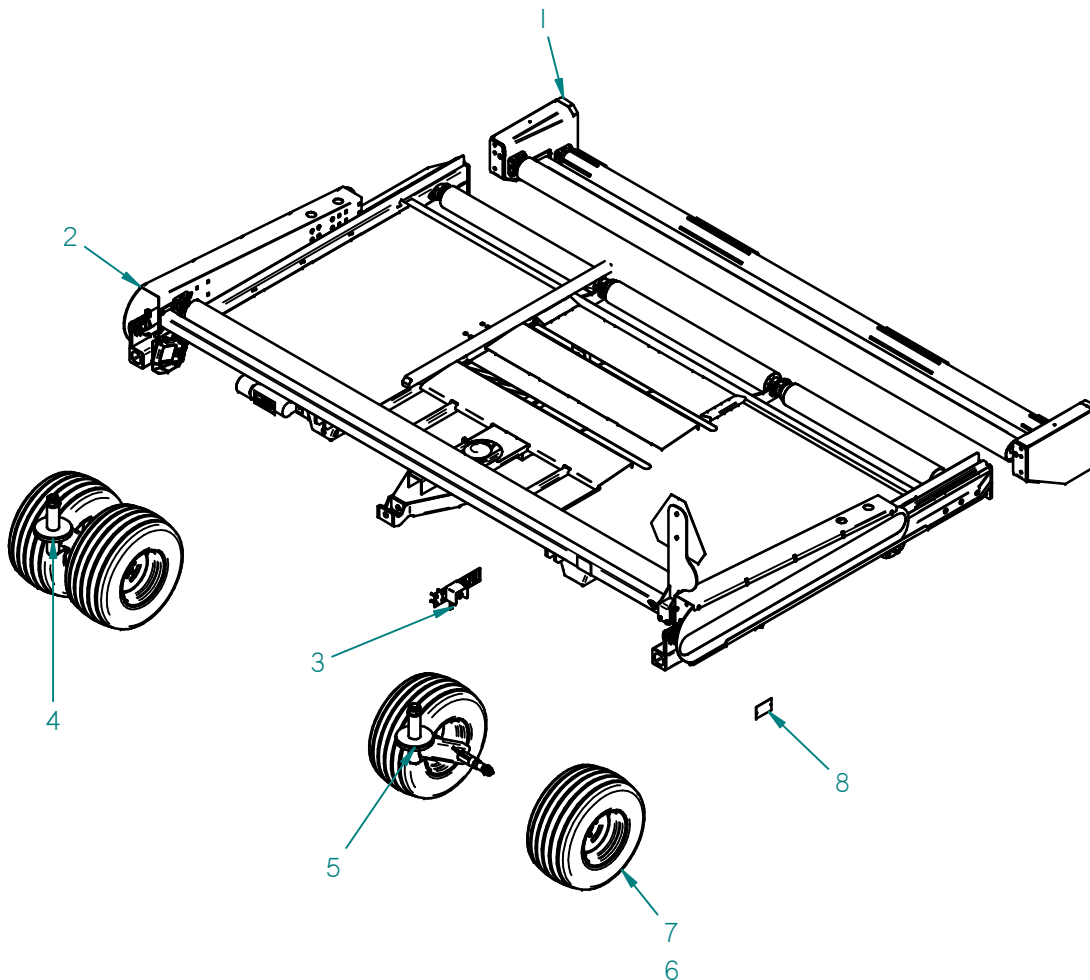
REPLACING HYDI00206, HYDI00207 REQUIRES KIT100558

AC4108

AC4108 ACCUMULATOR

WHGI00564

ITEM	PART NO.	DESCRIPTION	QTY
1	ASMI00565	SQUEEZER TAIL PIECE AC4106	1
2	ASMI00806	AC4108 ACCUMULATOR	1
3	ASMI00809	EMERGENCY SHUT OFF ASSEMBLY	1
4	ASMI01082	CASTER ARM (TALL) ASSEMBLY 614	1
5	ASMI01085	CASTER ARM (LOW) ASSEMBLY 614	1
6	CMP100860	TIRE 26 x 12 x 12 NHS 10PLY ON 2800LB YELLOW	4
7	CMP101142	TIRE 26 x 12 x 12 10PLY ON 2800LB GREY	4
8	SAFI00200	FLAT ACCUMULATOR SERIAL PLATE	1



OPTIONS	
PART NO.	DESCRIPTION
<u>WHEELS</u>	
CMP100244	TIRE 26 x 12 x 12 NHS 10 PLY FFS TL
CMP100861	WHEEL 12 X 10.5 X 6 2800LB YELLOW
CMP101141	WHEEL 12 X 10.5 X 6 2800LB GREY
<u>DECALS</u>	
SAFI00736	AC4108 PHIBER RH DECAL
SAFI00737	AC4108 PHIBER LH DECAL

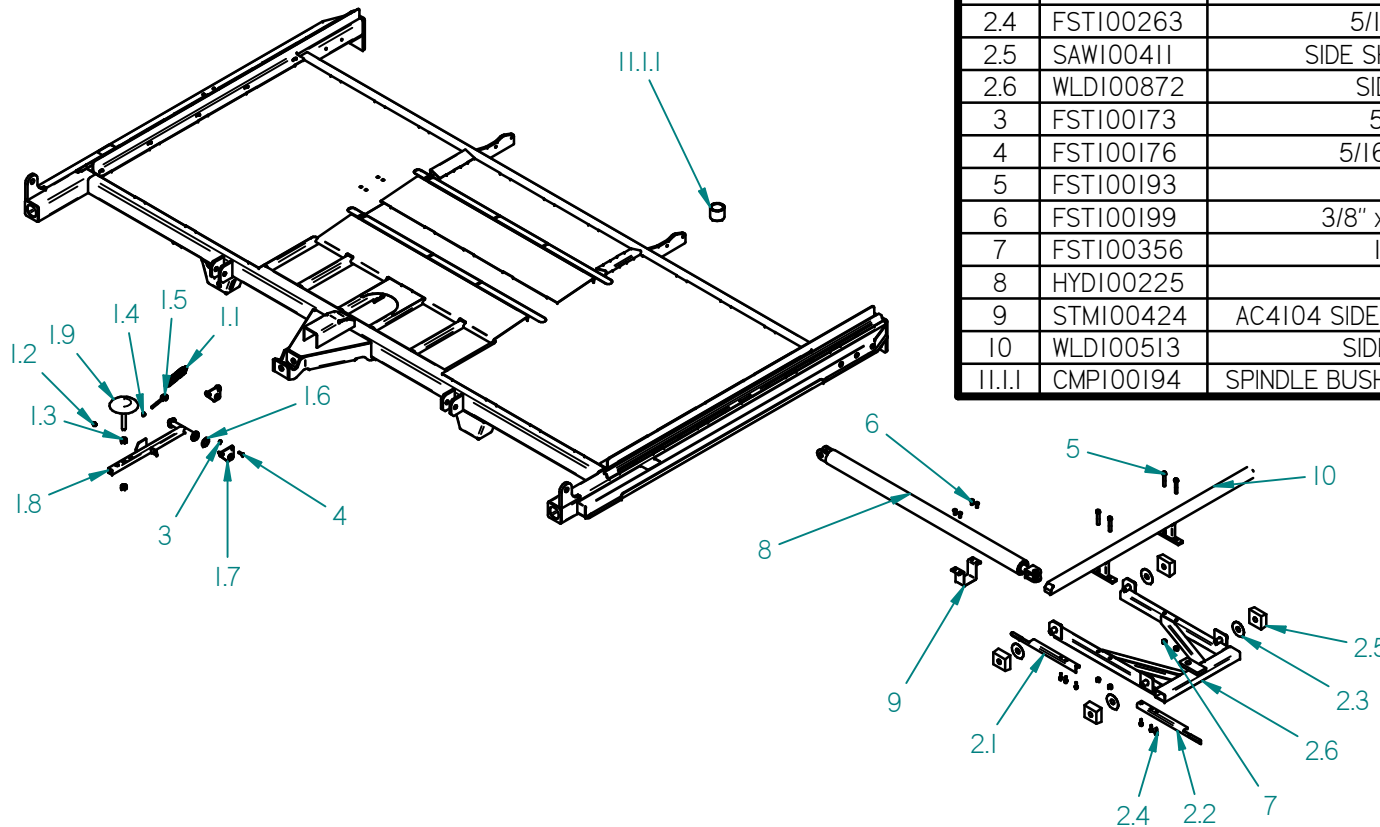
AC4108

AC4108 ACCUMULATOR

ASMI00806

SERIAL # BA42373 AND OVER

ITEM	PART NO.	DESCRIPTION	QTY
1	ASMI00501	ACCUMULATOR BALE SWITCH	1
1.1	CMPI00145	EXTENSION SPRING	1
1.2	ELCI00532	MM-20 PROXIMITY MAGNET	1
1.3	FST100117	3/4" NUT	2
1.4	FST100206	3/8" LOCKNUT	1
1.5	FST100226	3/8" X 3" EYE BOLT	1
1.6	FST100262	1" HARDENED WASHER F436	1
1.7	PCT100864	ACCUMULATOR BALE SWITCH MTG LUG	2
1.8	WLDI00501	ACCUMULATOR BALE SWITCH ARM	1
1.9	WLDI00502	BALE BUTTON	1
2	ASMI00807	4108 SIDE SHIFT ASSEMBLY	1
2.1	ASMI01022	4108 RH SIDE SHIFT TRIGGER ASM	1
2.2	ASMI01023	4108 LH SIDE SHIFT TRIGGER ASM	1
2.3	CMPI00766	SHIM SIDE SHIFT	4
2.4	FST100263	5/16" x 1" SELF TAP	6
2.5	SAWI00411	SIDE SHIFT PLASTIC SLIDER	4
2.6	WLDI00872	SIDE SHIFT TRUCK	1
3	FST100173	5/16" LOCK NUT	8
4	FST100176	5/16" X 1" CAP SCREW	4
5	FST100193	1/2" x 3" BOLT	4
6	FST100199	3/8" x 1" CARRIAGE BOLT	4
7	FST100356	1/2" CRIMP NUT	4
8	HYDI00225	CYLINDER	1
9	STMI00424	AC4104 SIDE SHIFT CYLINDER SUPPORT	1
10	WLDI00513	SIDE SHIFT SHUTTLE	1
11.1.1	CMPI00194	SPINDLE BUSHING, CASTER BLOCK (GEN III)	1

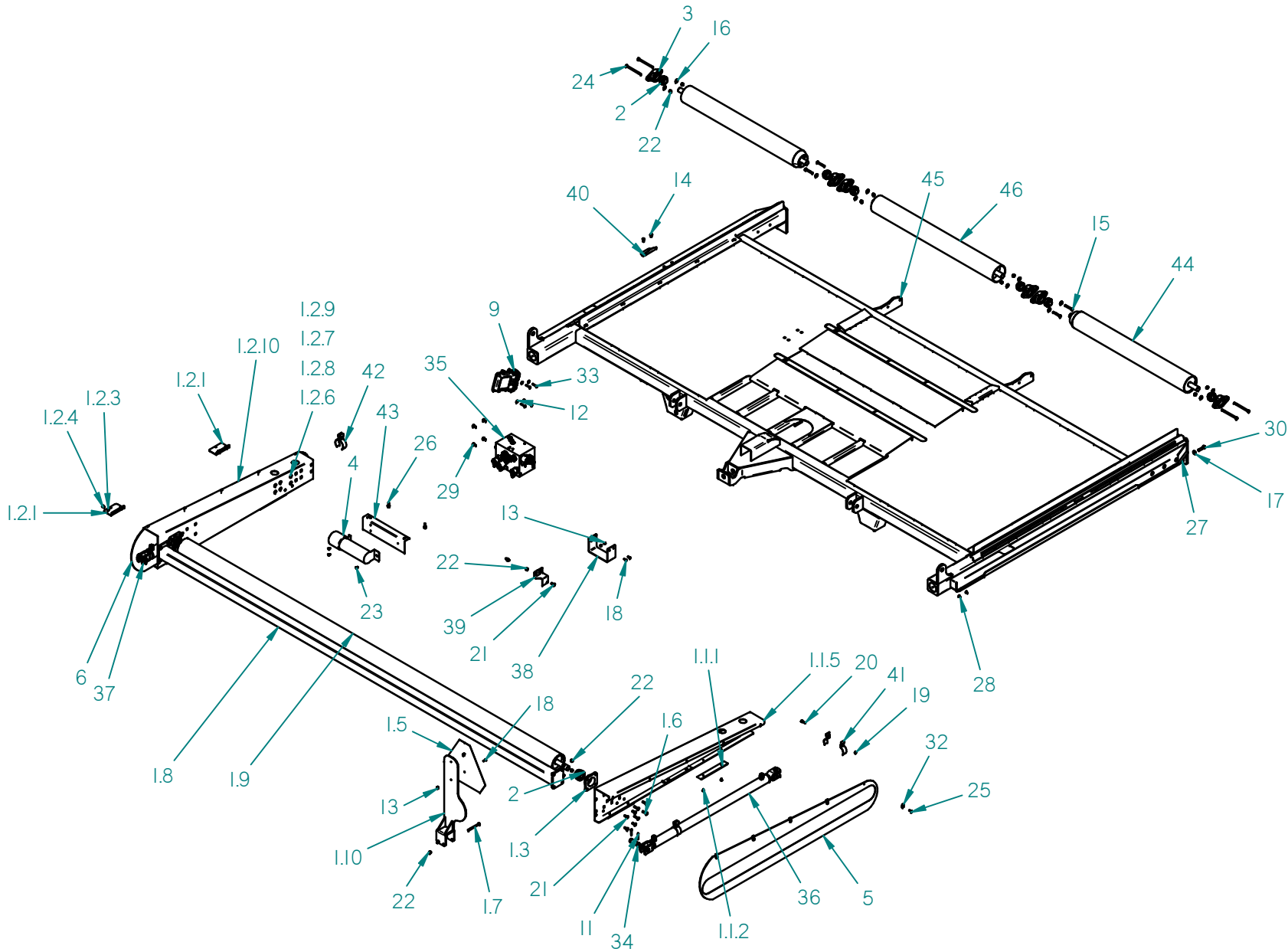


AC4108

AC4108 ACCUMULATOR

ASMI00806

SERIAL # PHB03108HL0002430 AND OVER



AC4108 AC4108 ACCUMULATOR ASMI00806

SERIAL # PHB03108HL0002430 AND OVER

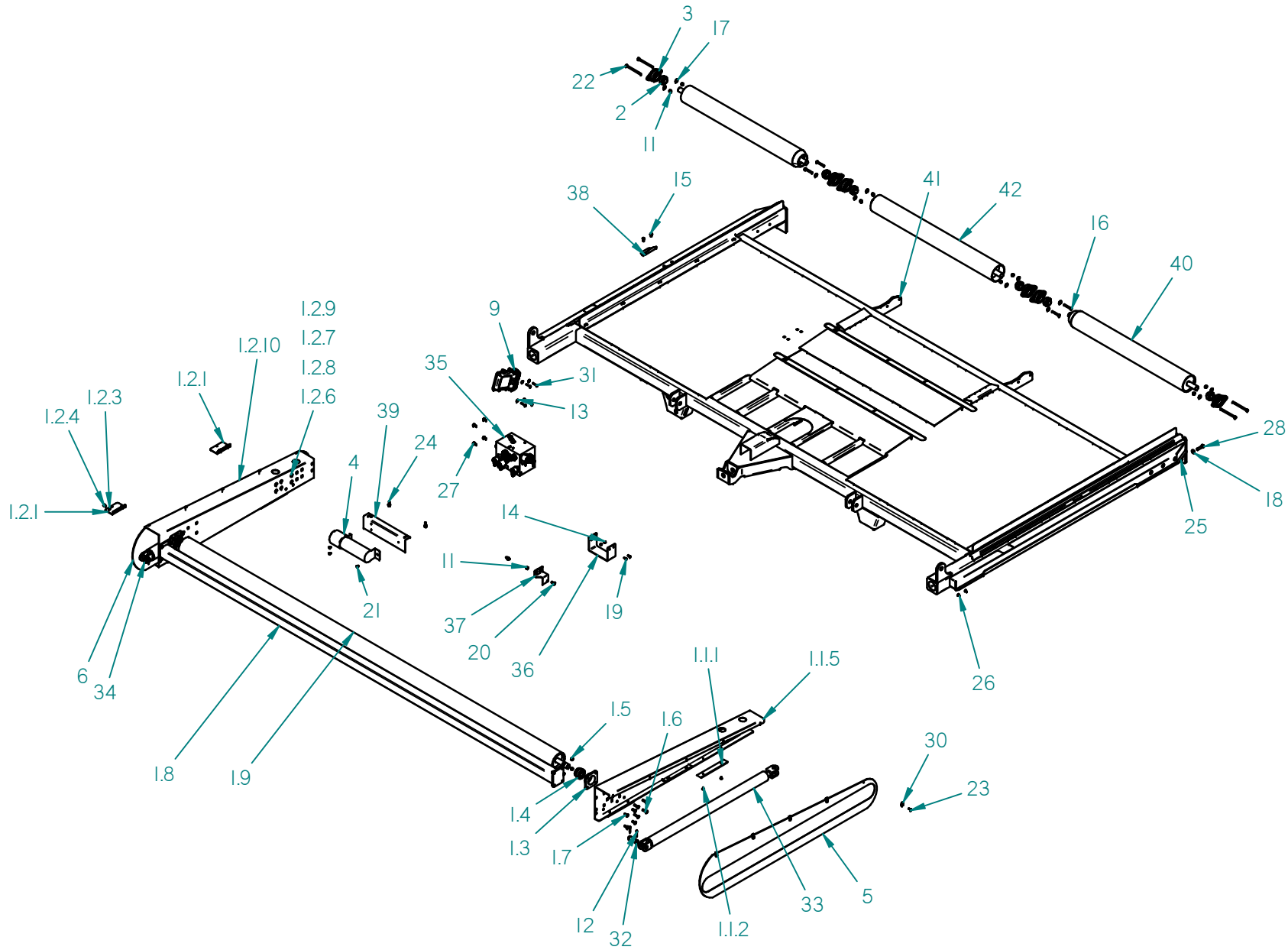
ITEM	PART NO.	DESCRIPTION	QTY	ITEM	PART NO.	DESCRIPTION	QTY
1	ASMI00808	AC4104(09) PUSH OFF ASSEMBLY	1	10	ELCI00533	PROXIMITY SWITCH ASSEMBLY	3
1.1	ASMI00803	PUSH OFF SIDE LH	1	11	FSTI00127	3/16" X 1 1/2" COTTER PIN	8
1.1.1	CMPI00147	PLASTIC STRIP BOTTOM	3	12	FSTI00134	1/4" FLAT WASHER	4
1.1.2	FSTI00228	POP RIVET STEEL 3/16 X 1/2 X 5/8 HEAD	6	13	FSTI00135	1/4" LOCK NUT	4
1.1.3	FSTI00446	7/16" X 1" CARRIAGE BOLT	6	14	FSTI00142	3/8" X 3/4" CAP SCREW	2
1.1.4	FSTI00447	7/16" CRIMP LOCK NUT	6	15	FSTI00144	3/8" X 2 1/2" CAP SCREW	4
1.1.5	PCTI00941	LH PUSH OF SIDE 08 SERIES	1	16	FSTI00150	3/8" FLAT WASHER	12
1.1.6	PCTI00943	PUSH OFF LUG 1	1	17	FSTI00151	1/2" FLAT WASHER HARDENED	12
1.1.7	PCTI00944	PUSH OFF LUG 2	1	18	FSTI00169	1/4" x 3/4" CAP SCREW	4
1.2	ASMI01039	PUSH OFF SIDE RH	1	19	FSTI00173	5/16" LOCK NUT	6
1.2.1	ASMI01020	PUSH-OFF MAGNET ACTIVATOR	2	20	FSTI00177	5/16" X 1 1/4" CAP SCREW	4
1.2.2	CMPI00147	PLASTIC STRIP BOTTOM	3	21	FSTI00199	3/8" x 1" CARRIAGE BOLT	6
1.2.3	FSTI00174	5/16" FLAT WASHER	4	22	FSTI00206	3/8" LOCKNUT	14
1.2.4	FSTI00175	5/16" X 1/2" CAP SCREW	4	23	FSTI00228	POP RIVET STEEL 3/16 X 1/2 X 5/8 HEAD	3
1.2.5	FSTI00228	POP RIVET STEEL 3/16 X 1/2 X 5/8 HEAD	6	24	FSTI00238	3/8" X 5 1/2" BOLT	4
1.2.6	FSTI00446	7/16" X 1" CARRIAGE BOLT	6	25	FSTI00247	1/4" X 3/4" FLANGE BOLTS	10
1.2.7	FSTI00447	7/16" CRIMP LOCK NUT	6	26	FSTI00263	5/16" x 1" SELF TAP	2
1.2.8	PCTI00943	PUSH OFF LUG 1	1	27	FSTI00356	1/2" CRIMP NUT	10
1.2.9	PCTI00944	PUSH OFF LUG 2	1	28	FSTI00366	POP RIVET ALUMINUM 3/16" x 1/2"	2
1.2.10	WLDI01138	RH PUSH OFF SIDE WELDT	1	29	FSTI00417	3/8" X 3/4" SERRATED FLANGE BOLT	4
1.3	CMPI00106	F206 FLANGE BLOCK	2	30	FSTI00420	1/2" X 2" CAP SCREW GRADE 8	6
1.4	CMPI00109	BEARING YET 206-104	2	31	FSTI00430	5/16" X 2 1/2" SOCKET HEAD SET SCREW	7
1.5	CMPI00171	SLOW MOVING VEHICLE (SMV) SIGN	1	32	FSTI00451	EXTRUDED U NUT 1/4" -20	10
1.6	FSTI00147	3/8" x 1 1/2" CARRIAGE BOLT	8	33	FSTI00461	1/4" X 1 1/2" BLACK PAN HEAD MACHINE	4
1.7	FSTI00200	3/8" X 4" CAP SCREW	2	34	FSTI00703	1" X 2 1/4" CYLINDER PIN USEABLE LENGTH	4
1.8	WLDI00437	PUSH OFF BAR	1	35	HYDI00670	VALVE BLOCK FLAT ACC	1
1.9	WLDI00453	AC4102 PUSH OFF ROLLER	1	36	HYDI00923	CYL 2.0 X 40 X 1.25 ROD SLAVE	1
1.10	WLDI01247	SMV AND SIS MOUNT WLDT	1	37	HYDI00924	CYL 2.5 X 40 X 1.5 ROD MASTER	1
2	CMPI00109	BEARING YET 206-104	6	38	PCTI00855	SAFETY STOP	1
3	CMPI00169	FL206 2-BOLT HOUSING	6	39	PCTI00967	BALE TRIGGER SENSOR MOUNT	1
4	CMPI00313	MANUAL CANISTER	1	40	PCTI01177	ACC PO SENSOR MOUNT	1
5	CMPI00328	LH FLAT PLASTIC SIDE	1	41	PCTI01683	SLAVE CYL HOSE CLAMP	4
6	CMPI00329	RH FLAT PLASTIC SIDE	1	42	PCTI01684	MASTER CYL HOSE CLAMP	4
7	ELCI00403	DIAGNOSTIC CABLE ASSEMBLY JCA68-000017	1	43	STMI00423	ACCUMULATOR MUD SHIELD	1
8	ELCI00482	WIRE HARNESS MAIN, FLAT	1	44	WLDI00442	SIDE SHORT ROLLER	2
9	ELCI00509	FALCON CONTROLLER, WIFI	1	45	WLDI00882	4108 CHASSIS STAGE 4	1
				46	WLD200639	REAR ROLLER, STACKER	1

AC4108

AC4108 ACCUMULATOR

ASMI00806

SERIAL # BA42373 TO PHB04108TL0002429



AC4108

AC4108 ACCUMULATOR

ASMI00806

SERIAL # BA42373 TO PHB04108TL0002429

ITEM	PART NO.	DESCRIPTION	QTY	ITEM	PART NO.	DESCRIPTION	QTY
1	ASMI00808	AC4104(09) PUSH OFF ASSEMBLY	1	9	ELCI00509	FALCON CONTROLLER, WIFI	1
1.1	ASMI00803	PUSH OFF SIDE LH	1	10	ELCI00533	PROXIMITY SWITCH ASSEMBLY	3
1.1.1	CMPI00147	PLASTIC STRIP BOTTOM	3	11	FST-100206	3/8" LOCKNUT	14
1.1.2	FSTI00228	POP RIVET STEEL 3/16 X 1/2 X 5/8 HEAD	6	12	FSTI00127	3/16" X 1 1/2" COTTER PIN	8
1.1.3	FSTI00446	7/16" X 1" CARRIAGE BOLT	6	13	FSTI00134	1/4" FLAT WASHER	4
1.1.4	FSTI00447	7/16" CRIMP LOCK NUT	6	14	FSTI00135	1/4" LOCK NUT	4
1.1.5	PCTI00941	LH PUSH OF SIDE 08 SERIES	1	15	FSTI00142	3/8" X 3/4" CAP SCREW	2
1.1.6	PCTI00943	PUSH OFF LUG 1	1	16	FSTI00144	3/8" X 2 1/2" CAP SCREW	4
1.1.7	PCTI00944	PUSH OFF LUG 2	1	17	FSTI00150	3/8" FLAT WASHER	12
1.2	ASMI01039	PUSH OFF SIDE RH	1	18	FSTI00151	1/2" FLAT WASHER HARDENED	12
1.2.1	ASMI01020	PUSH-OFF MAGNET ACTIVATOR	2	19	FSTI00169	1/4" x 3/4" CAP SCREW	4
1.2.2	CMPI00147	PLASTIC STRIP BOTTOM	3	20	FSTI00199	3/8" x 1" CARRIAGE BOLT	6
1.2.3	FSTI00174	5/16" FLAT WASHER	4	21	FSTI00228	POP RIVET STEEL 3/16 X 1/2 X 5/8 HEAD	3
1.2.4	FSTI00175	5/16" X 1/2" CAP SCREW	4	22	FSTI00238	3/8" X 5 1/2" BOLT	4
1.2.5	FSTI00228	POP RIVET STEEL 3/16 X 1/2 X 5/8 HEAD	6	23	FSTI00247	1/4" X 3/4" FLANGE BOLTS	10
1.2.6	FSTI00446	7/16" X 1" CARRIAGE BOLT	6	24	FSTI00263	5/16" x 1" SELF TAP	2
1.2.7	FSTI00447	7/16" CRIMP LOCK NUT	6	25	FSTI00356	1/2" CRIMP NUT	10
1.2.8	PCTI00943	PUSH OFF LUG 1	1	26	FSTI00366	POP RIVET ALUMINUM 3/16" x 1/2"	2
1.2.9	PCTI00944	PUSH OFF LUG 2	1	27	FSTI00417	3/8" X 3/4" SERRATED FLANGE BOLT	4
1.2.10	WLDI01138	RH PUSH OFF SIDE WELDT	1	28	FSTI00420	1/2" X 2" CAP SCREW GRADE 8	6
1.3	CMPI00106	F206 FLANGE BLOCK	2	29	FSTI00430	5/16" X 2 1/2" SOCKET HEAD SET SCREW	5
1.4	CMPI00109	BEARING YET 206-104	2	30	FSTI00451	EXTRUDED U NUT 1/4" -20	10
1.5	FST-100206	3/8" LOCKNUT	16	31	FSTI00461	1/4" X 1 1/2" BLACK PAN HEAD MACHINE	4
1.6	FSTI00147	3/8" x 1 1/2" CARRIAGE BOLT	8	32	FSTI00703	1" X 2 1/4" CYLINDER PIN USEABLE LENGTH	4
1.7	FSTI00199	3/8" x 1" CARRIAGE BOLT	8	33	HYDI00206	CYL 2 X 40 X 1.25 ROD SLAVE	1
1.8	WLDI00437	PUSH OFF BAR	1	34	HYDI00207	CYL 2.5 X 40 X 1.5 ROD MASTER	1
1.9	WLDI00453	AC4102 PUSH OFF ROLLER	1	35	HYDI00670	VALVE BLOCK FLAT ACC 2016	1
2	CMPI00109	BEARING YET 206-104	6	36	PCTI00855	SAFETY STOP	1
3	CMPI00169	FL206 2-BOLT HOUSING	6	37	PCTI00967	BALE TRIGGER SENSOR MOUNT	1
4	CMPI00313	MANUAL CANISTER	1	38	PCTI01177	ACC PO SENSOR MOUNT	1
5	CMPI00328	LH FLAT PLASTIC SIDE	1	39	STMI00423	ACCUMULATOR MUD SHIELD	1
6	CMPI00329	RH FLAT PLASTIC SIDE	1	40	WLDI00442	SIDE SHORT ROLLER	2
7	ELCI00403	DIAGNOSTIC CABLE ASSEMBLY JCA68-000017	1	41	WLDI00882	4108 CHASSIS STAGE 4	1
8	ELCI00482	WIRE HARNESS MAIN, FLAT	1	42	WLD200639	REAR ROLLER, STACKER	1

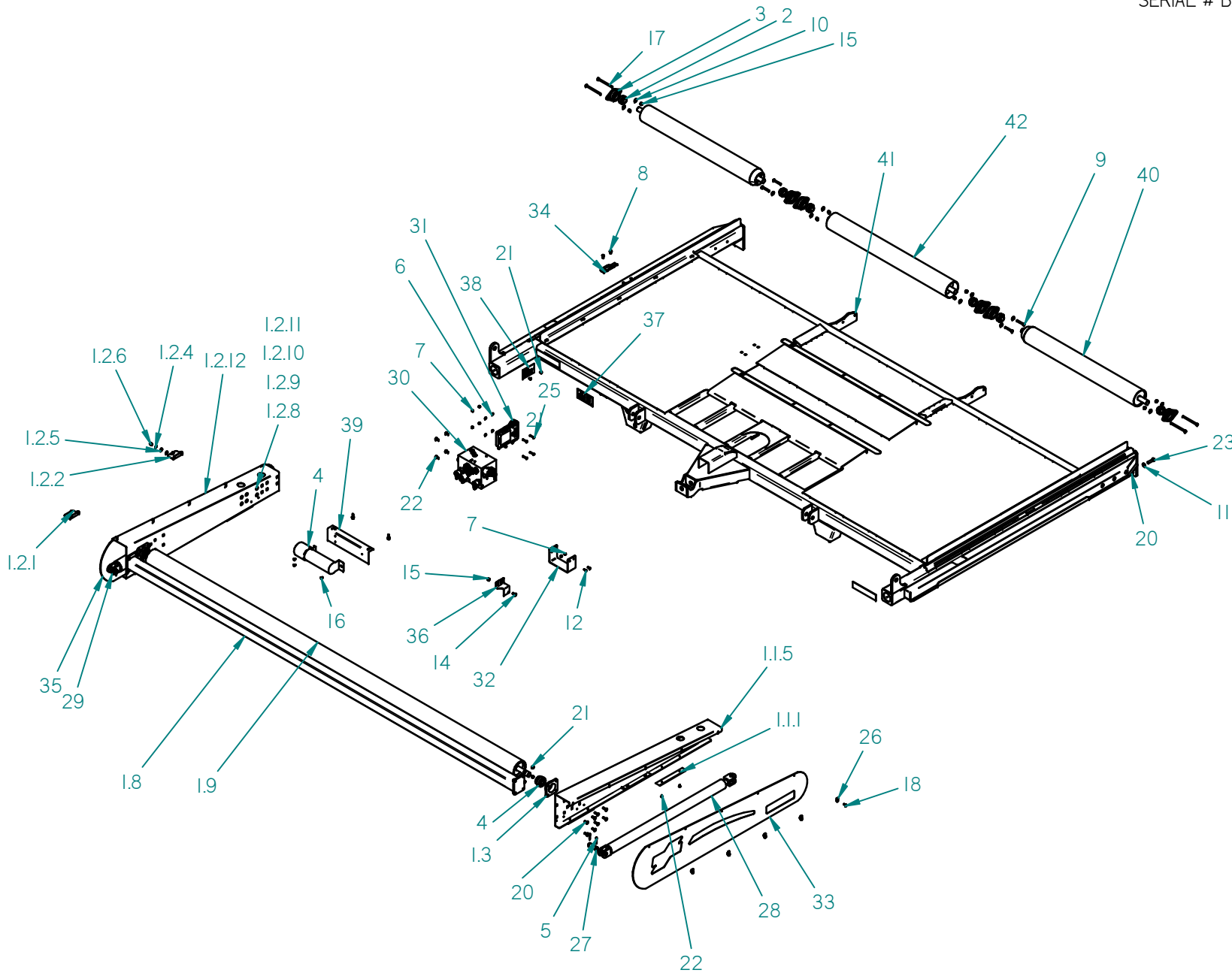
REPLACING # 33, 34 REQUIRES KIT100558- FLAT CYLINDER UPDATE KIT

AC4108

AC4108 ACCUMULATOR

ASMI00806

SERIAL # BA42372 AND UNDER



AC4108

AC4108 ACCUMULATOR

ASMI00806

SERIAL # BA42372 AND UNDER

ITEM	PART NO.	DESCRIPTION	QTY	ITEM	PART NO.	DESCRIPTION	QTY
1	ASMI00808	AC4104(09) PUSH OFF ASSEMBLY	1	8	FST100142	3/8" X 3/4" CAP SCREW	2
1.1	ASMI00803	PUSH OFF SIDE LH	1	9	FST100144	3/8" X 2 1/2" CAP SCREW	4
1.1.1	CMPI00147	PLASTIC STRIP BOTTOM	3	10	FST100150	3/8" FLAT WASHER	12
1.1.2	FST100228	POP RIVET STEEL 3/16 X 1/2 X 5/8 HEAD	6	11	FST100151	1/2" FLAT WASHER HARDENED	12
1.1.3	FST100446	7/16" X 1" CARRIAGE BOLT	6	12	FST100169	1/4" x 3/4" CAP SCREW	4
1.1.4	FST100447	7/16" CRIMP LOCK NUT	6	13	FST100173	5/16" LOCK NUT	5
1.1.5	PCT100941	LH PUSH OF SIDE 08 SERIES	1	14	FST100199	3/8" x 1" CARRIAGE BOLT	6
1.1.6	PCT100943	PUSH OFF LUG 1	1	15	FST100206	3/8" LOCKNUT	14
1.1.7	PCT100944	PUSH OFF LUG 2	1	16	FST100228	POP RIVET STEEL 3/16 X 1/2 X 5/8 HEAD	3
1.2	ASMI00804	PUSH OFF SIDE RH	1	17	FST100238	3/8" X 5 1/2" BOLT	4
1.2.1	ASMI01006	FRONT MAGNET ACTIVATOR	1	18	FST100247	1/4" X 3/4" FLANGE BOLTS	10
1.2.2	ASMI01007	REAR MAGNET ACTIVATOR	1	19	FST100263	5/16" x 1" SELF TAP	2
1.2.3	CMPI00147	PLASTIC STRIP BOTTOM	3	20	FST100356	1/2" CRIMP NUT	6
1.2.4	FST100138	5/16" LOCK WASHER	4	21	FST100366	POP RIVET ALUMINUM 3/16" x 1/2"	2
1.2.5	FST100174	5/16" FLAT WASHER	8	22	FST100417	3/8" X 3/4" SERRATED FLANGE BOLT	4
1.2.6	FST100175	5/16" X 1/2" CAP SCREW	4	23	FST100420	1/2" X 2" CAP SCREW GRADE 8	6
1.2.7	FST100228	POP RIVET STEEL 3/16 X 1/2 X 5/8 HEAD	6	24	FST100430	5/16" X 2 1/2" SOCKET HEAD SET SCREW	5
1.2.8	FST100446	7/16" X 1" CARRIAGE BOLT	6	25	FST100448	1/4" X 1 1/2" CARRIAGE BOLT	4
1.2.9	FST100447	7/16" CRIMP LOCK NUT	6	26	FST100451	EXTRUDED U NUT 1/4" -20	10
1.2.10	PCT100943	PUSH OFF LUG 1	1	27	FST100703	1" X 2 1/4" CYLINDER PIN USEABLE LENGTH	4
1.2.11	PCT100944	PUSH OFF LUG 2	1	28	HYDI00206	CYL 2 X 40 X 1.25 ROD SLAVE	1
1.2.12	PCT100950	RH PUSH OF SIDE 08 SERIES	1	29	HYDI00207	CYL 2.5 X 40 X 1.5 ROD MASTER	1
1.3	CMPI00106	F206 FLANGE BLOCK	2	30	HYDI00670	VALVE BLOCK FLAT ACC 2016	1
1.4	CMPI00109	BEARING YET 206-104	2	31	KITI00510	FALCON CONTROL KIT FLAT	1
1.5	FST100146	3/8" x 1 1/4" CARRIAGE BOLT	8	32	PCT100855	SAFETY STOP	1
1.6	FST100199	3/8" x 1" CARRIAGE BOLT	8	33	PCT100942	PLASTIC SIDE LH	1
1.7	FST100206	3/8" LOCKNUT	16	34	PCT100951	ACC PO SENSOR MOUNT	1
1.8	WLDI00437	PUSH OFF BAR	1	35	PCT100953	PLASTIC SIDE LH	1
1.9	WLDI00453	AC4102 PUSH OFF ROLLER	1	36	PCT100967	BALE TRIGGER SENSOR MOUNT	1
2	CMPI00109	BEARING YET 206-104	6	37	SAFI00104	DECAL EMERGENCY SHUT OFF	1
3	CMPI00169	FL206 2-BOLT HOUSING	6	38	SAFI00200	ACCUMULATOR SERIAL PLATE	1
4	CMPI00313	MANUAL CANISTER	1	39	STMI00423	ACCUMULATOR MUD SHIELD	1
5	FST100127	3/16" X 1 1/2" COTTER PIN	8	40	WLDI00442	SIDE SHORT ROLLER	2
6	FST100134	1/4" FLAT WASHER	4	41	WLDI00882	4108 CHASSIS STAGE 4	1
7	FST100135	1/4" LOCK NUT	8	42	WLD200639	REAR ROLLER, STACKER	1

REPLACING # 28, 29 REQUIRES KITI00558- FLAT CYLINDER UPDATE KIT

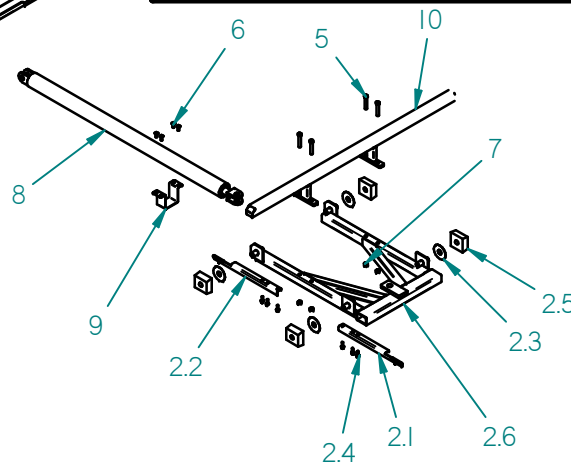
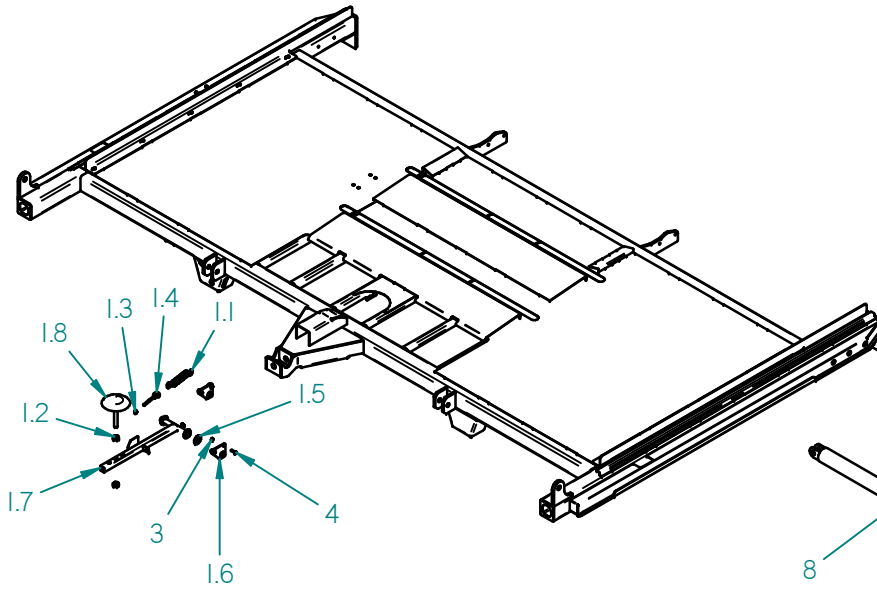
AC4108

AC4108 ACCUMULATOR

ASMI00806

SERIAL # BA42372 AND UNDER

ITEM	PART NO.	DESCRIPTION	QTY
1	ASMI00805	ACCUMULATOR BALE SWITCH	1
1.1	CMPI00145	EXTENSION SPRING	1
1.2	FST100117	3/4" NUT	2
1.3	FST100206	3/8" LOCKNUT	1
1.4	FST100226	3/8" X 3" EYE BOLT	1
1.5	FST100262	1" HARDENED WASHER F436	1
1.6	PCT100864	ACCUMULATOR BALE SWITCH MTG LUG	2
1.7	WLDI00501	ACCUMULATOR BALE SWITCH ARM	1
1.8	WLDI00502	BALE BUTTON	1
2	ASMI00807	4108 SIDE SHIFT ASSEMBLY	1
2.1	ASMI01002	4108 LH SIDE SHIFT TRIGGER ASM	1
2.2	ASMI01003	4108 RH SIDE SHIFT TRIGGER ASM	1
2.3	CMPI00766	SHIM SIDE SHIFT	4
2.4	FST100263	5/16" x 1" SELF TAP	6
2.5	SAWI00411	SIDE SHIFT PLASTIC SLIDER	4
2.6	WLDI00872	SIDE SHIFT TRUCK	1
3	FST100173	5/16" LOCK NUT	8
4	FST100176	5/16" X 1" CAP SCREW	4
5	FST100193	1/2" x 3" BOLT	4
6	FST100199	3/8" x 1" CARRIAGE BOLT	4
7	FST100356	1/2" CRIMP NUT	4
8	HYDI00225	CYLINDER	1
9	STMI00424	AC4104 SIDE SHIFT CYLINDER SUPPORT	1
10	WLDI00513	SIDE SHIFT SHUTTLE	1



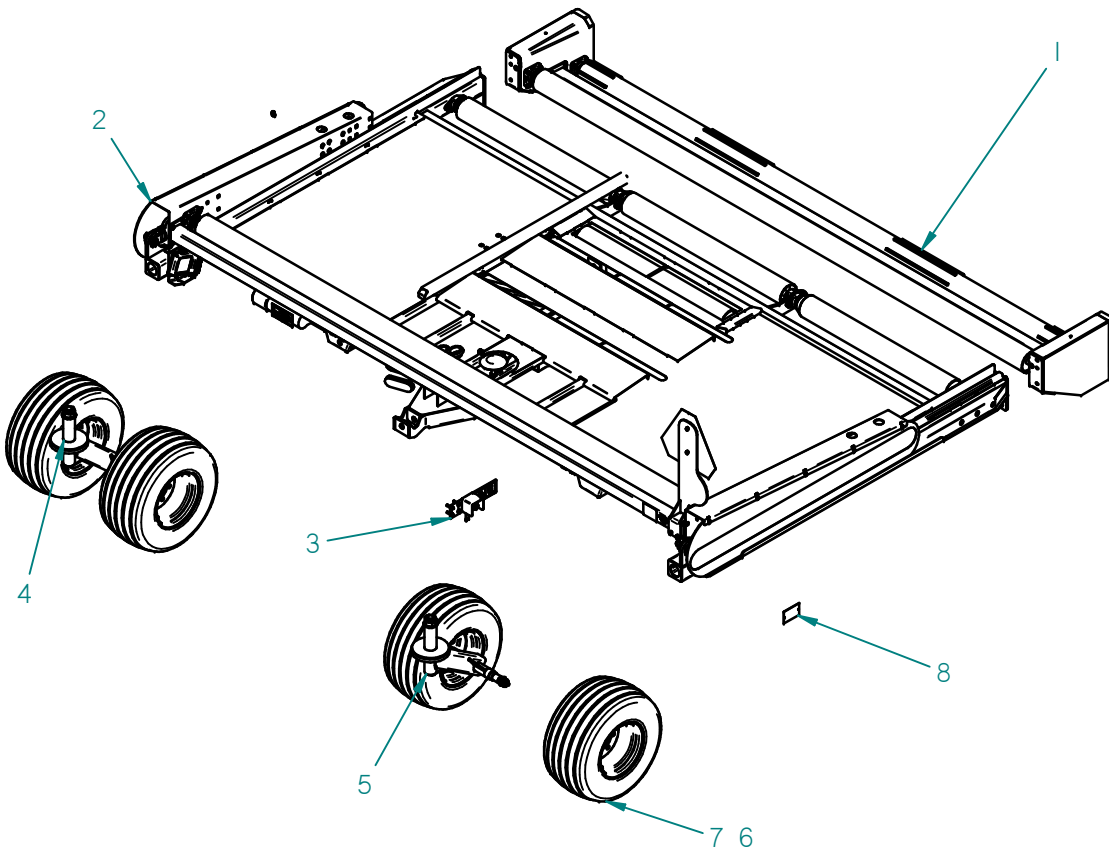
AC4108

AC4108 BALAGE ACCUMULATOR

WHG100564B

ITEM	PART NO.	DESCRIPTION	QTY
1	ASMI00565	SQUEEZER TAIL PIECE AC4106	1
2	ASMI00806B	AC4108 BALAGE ACCUMULATOR	1
3	ASMI00809	EMERGENCY SHUT OFF ASSEMBLY	1
4	ASMI01082	CASTER ARM (TALL) ASSEMBLY 614	1
5	ASMI01085	CASTER ARM (LOW) ASSEMBLY 614	1
6	CMPI00860	TIRE 26 x 12 x 12 NHS 10PLY ON 2800LB YELLOW	4
7	CMPI01142	TIRE 26 x 12 x 12 10PLY ON 2800LB GREY	4
8	SAFI00200	FLAT ACCUMULATOR SERIAL PLATE	1

OPTIONS	
Part NO.	Description
WHEELS	
CMPI00244	TIRE 26 x 12 x 12 NHS 10 PLY FFS TL
CMPI00861	WHEEL 12 X 10.5 X 6 2800LB YELLOW
CMPI01141	WHEEL 12 X 10.5 X 6 2800LB GREY
DECALS	
SAFI00736	AC4108 PHIBER RH DECAL
SAFI00737	AC4108 PHIBER LH DECAL

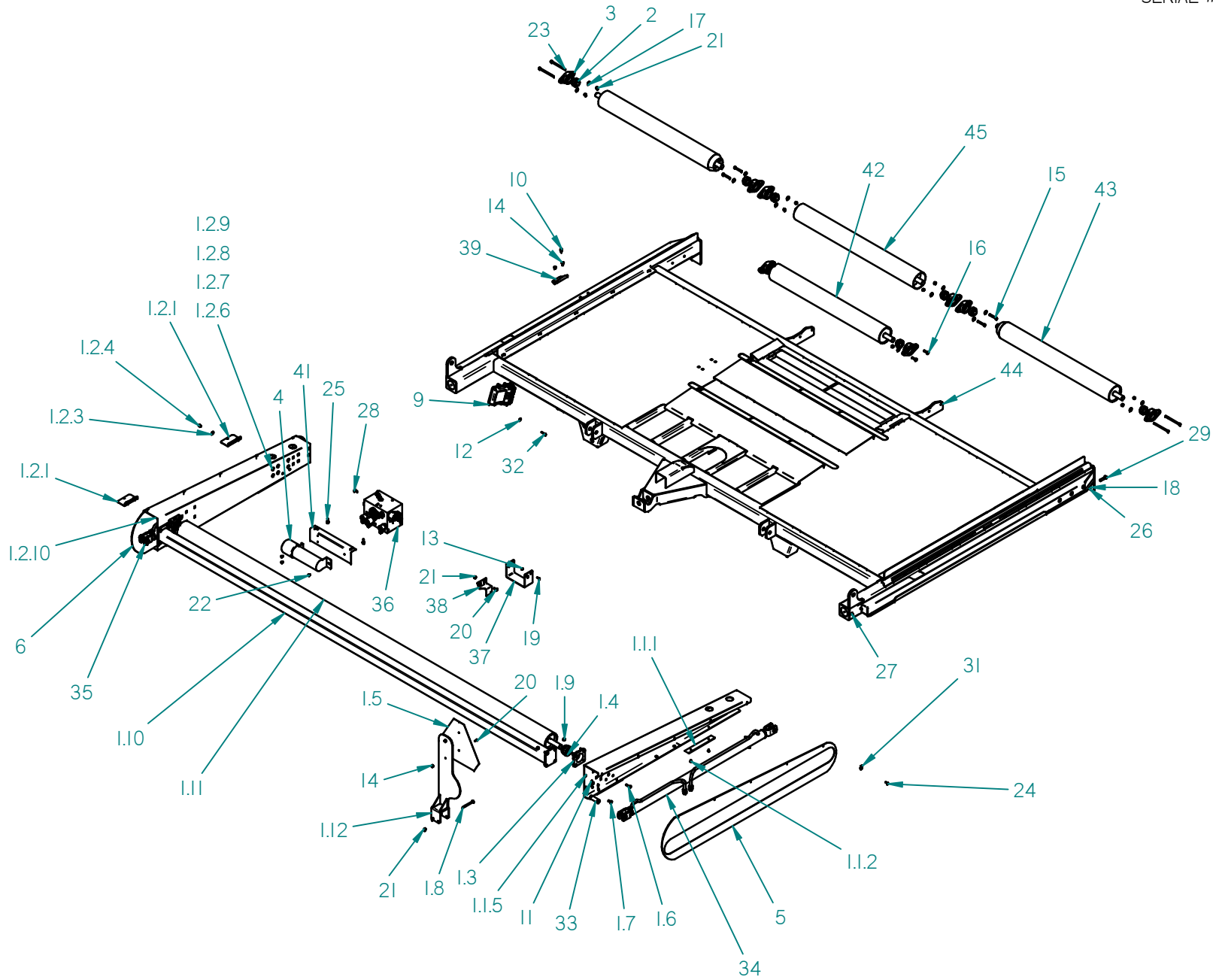


AC4108

AC4108 BALAGE ACCUMULATOR

ASMI00806B

SERIAL # BA42373 AND OVER



AC4108

AC4108 BALAGE ACCUMULATOR

ASMI00806B

SERIAL # BA42373 AND OVER

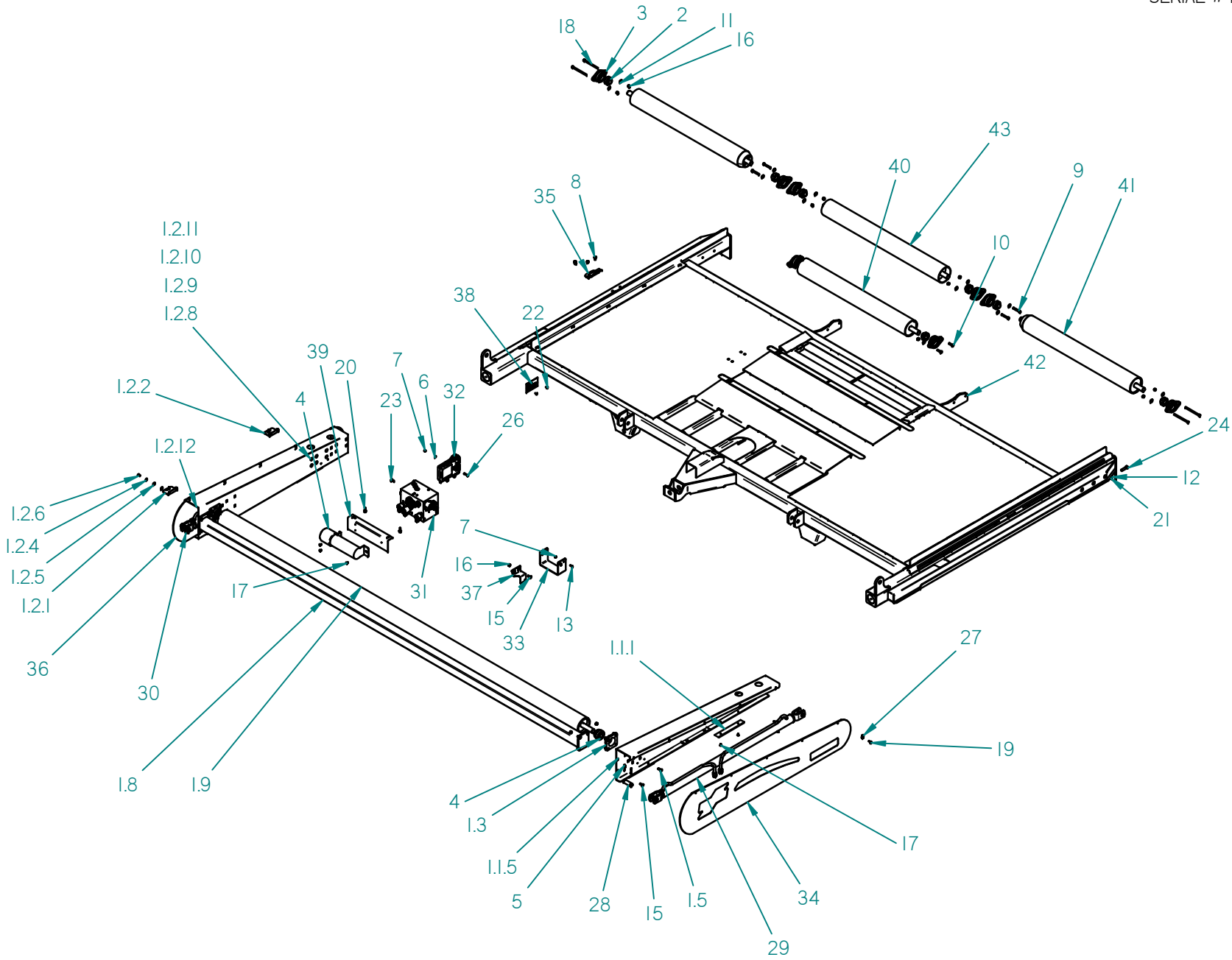
ITEM	PART NO.	DESCRIPTION	QTY	ITEM	PART NO.	DESCRIPTION	QTY
1	ASMI00808	AC4104(09) PUSH OFF ASSEMBLY	1	9	ELCI00509	FALCON CONTROLLER, WIFI	1
1.1	ASMI00803	PUSH OFF SIDE LH	1	10	ELCI00533	PROXIMITY SWITCH ASSEMBLY	3
1.1.1	CMPI00147	PLASTIC STRIP BOTTOM	3	11	FSTI00127	3/16" X 1 1/2" COTTER PIN	8
1.1.2	FSTI00228	POP RIVET STEEL 3/16 X 1/2 X 5/8 HEAD	6	12	FSTI00134	1/4" FLAT WASHER	4
1.1.3	FSTI00446	7/16" X 1" CARRIAGE BOLT	6	13	FSTI00135	1/4" LOCK NUT	4
1.1.4	FSTI00447	7/16" CRIMP LOCK NUT	6	14	FSTI00142	3/8" X 3/4" CAP SCREW	2
1.1.5	PCTI00941	LH PUSH OF SIDE 08 SERIES	1	15	FSTI00144	3/8" X 2 1/2" CAP SCREW	4
1.1.6	PCTI00943	PUSH OFF LUG 1	1	16	FSTI00147	3/8" x 1 1/2" CARRIAGE BOLT	4
1.1.7	PCTI00944	PUSH OFF LUG 2	1	17	FSTI00150	3/8" FLAT WASHER	16
1.2	ASMI01039	PUSH OFF SIDE RH	1	18	FSTI00151	1/2" FLAT WASHER HARDENED	12
1.2.1	ASMI01020	PUSH-OFF MAGNET ACTIVATOR	2	19	FSTI00169	1/4" x 3/4" CAP SCREW	4
1.2.2	CMPI00147	PLASTIC STRIP BOTTOM	3	20	FSTI00199	3/8" x 1" CARRIAGE BOLT	6
1.2.3	FSTI00174	5/16" FLAT WASHER	4	21	FSTI00206	3/8" LOCKNUT	18
1.2.4	FSTI00175	5/16" X 1/2" CAP SCREW	4	22	FSTI00228	POP RIVET STEEL 3/16 X 1/2 X 5/8 HEAD	3
1.2.5	FSTI00228	POP RIVET STEEL 3/16 X 1/2 X 5/8 HEAD	6	23	FSTI00238	3/8" X 5 1/2" BOLT	4
1.2.6	FSTI00446	7/16" X 1" CARRIAGE BOLT	6	24	FSTI00247	1/4" X 3/4" FLANGE BOLTS	10
1.2.7	FSTI00447	7/16" CRIMP LOCK NUT	6	25	FSTI00263	5/16" x 1" SELF TAP	2
1.2.8	PCTI00943	PUSH OFF LUG 1	1	26	FSTI00356	1/2" CRIMP NUT	10
1.2.9	PCTI00944	PUSH OFF LUG 2	1	27	FSTI00366	POP RIVET ALUMINUM 3/16" x 1/2"	2
1.2.10	WLDI01138	RH PUSH OFF SIDE WELDT	1	28	FSTI00417	3/8" X 3/4" SERRATED FLANGE BOLT	4
1.3	CMPI00106	F206 FLANGE BLOCK	2	29	FSTI00420	1/2" X 2" CAP SCREW GRADE 8	6
1.4	CMPI00109	BEARING YET 206-104	2	30	FSTI00430	5/16" X 2 1/2" SOCKET HEAD SET SCREW	5
1.5	CMPI00171	SLOW MOVING VEHICLE (SMV) SIGN	1	31	FSTI00451	EXTRUDED U NUT 1/4" -20	10
1.6	FSTI00147	3/8" x 1 1/2" CARRIAGE BOLT	8	32	FSTI00461	1/4" X 1 1/2" BLACK PAN HEAD MACHINE SCREW	4
1.7	FSTI00199	3/8" x 1" CARRIAGE BOLT	8	33	FSTI00703	1" X 2 1/4" CYLINDER PIN USEABLE LENGTH	4
1.8	FSTI00200	3/8" X 4" CAP SCREW	2	34	HYDI00401	CYL 2.0 X 48 X 1.25 ROD SLAVE	1
1.9	FSTI00206	3/8" LOCKNUT	18	35	HYDI00402	CYL 2.5 X 48 X 1.5 ROD MASTER	1
1.10	WLDI00437	PUSH OFF BAR	1	36	HYDI00670	VALVE BLOCK FLAT ACC	1
1.11	WLDI00453	AC4102 PUSH OFF ROLLER	1	37	PCTI00855	SAFETY STOP	1
1.12	WLDI01247	SMV AND SIS MOUNT WLDT	1	38	PCTI00967	BALE TRIGGER SENSOR MOUNT	1
2	CMPI00109	BEARING YET 206-104	8	39	PCTI01177	ACC PO SENSOR MOUNT	1
3	CMPI00169	FL206 2-BOLT HOUSING	8	40	SAFI00763	HORIZONTAL TRAINING QR DECAL	1
4	CMPI00313	MANUAL CANISTER	1	41	STMI00423	ACCUMULATOR MUD SHIELD	1
5	CMPI00328	LH FLAT PLASTIC SIDE	1	42	WLDI00441	AC4104 CENTER BALAGE ROLLER	1
6	CMPI00329	RH FLAT PLASTIC SIDE	1	43	WLDI00442	SIDE SHORT ROLLER	2
7	ELCI00403	DIAGNOSTIC CABLE ASSEMBLY JCA68-000017	1	44	WLDI00882B	4108 CHASSIS STAGE 4 BALAGE	1
8	ELCI00482	WIRE HARNESS MAIN, FLAT	1	45	WLD200639	REAR ROLLER, STACKER	1

AC4108

AC4108 BALAGE ACCUMULATOR

ASMI00806B

SERIAL # BA42372 AND UNDER



AC4108

AC4108 BALAGE ACCUMULATOR

ASMI00806B

SERIAL # BA42372 AND UNDER

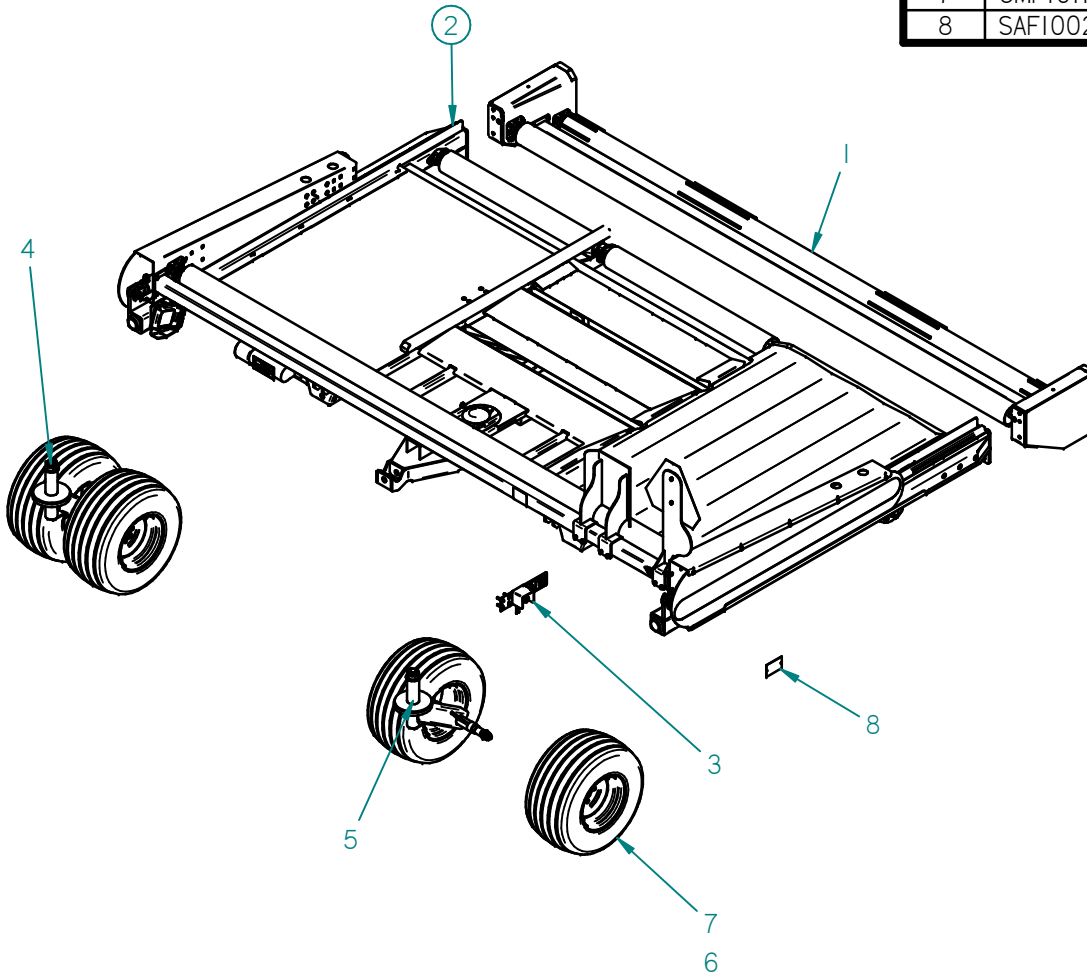
ITEM	PART NO.	DESCRIPTION	QTY	ITEM	PART NO.	DESCRIPTION	QTY
1	ASMI00808	AC4104(09) PUSH OFF ASSEMBLY	1	8	FSTI00142	3/8" X 3/4" CAP SCREW	2
1.1	ASMI00803	PUSH OFF SIDE LH	1	9	FSTI00144	3/8" X 2 1/2" CAP SCREW	4
1.1.1	CMPI00147	PLASTIC STRIP BOTTOM	3	10	FSTI00147	3/8" x 1 1/4" CARRIAGE BOLT	4
1.1.2	FSTI00228	POP RIVET STEEL 3/16 X 1/2 X 5/8 HEAD	6	11	FSTI00150	3/8" FLAT WASHER	16
1.1.3	FSTI00446	7/16" X 1" CARRIAGE BOLT	6	12	FSTI00151	1/2" FLAT WASHER HARDENED	12
1.1.4	FSTI00447	7/16" CRIMP LOCK NUT	6	13	FSTI00169	1/4" x 3/4" CAP SCREW	4
1.1.5	PCTI00941	LH PUSH OF SIDE 08 SERIES	1	14	FSTI00173	5/16" LOCK NUT	9
1.1.6	PCTI00943	PUSH OFF LUG 1	1	15	FSTI00199	3/8" x 1" CARRIAGE BOLT	6
1.1.7	PCTI00944	PUSH OFF LUG 2	1	16	FSTI00206	3/8" LOCKNUT	18
1.2	ASMI00804	PUSH OFF SIDE RH	1	17	FSTI00228	POP RIVET STEEL 3/16 X 1/2 X 5/8 HEAD	3
1.2.1	ASMI01006	FRONT MAGNET ACTIVATOR	1	18	FSTI00238	3/8" X 5 1/2" BOLT	4
1.2.2	ASMI01007	REAR MAGNET ACTIVATOR	1	19	FSTI00247	1/4" X 3/4" FLANGE BOLTS	10
1.2.3	CMPI00147	PLASTIC STRIP BOTTOM	3	20	FSTI00263	5/16" x 1" SELF TAP	2
1.2.4	FSTI00138	5/16" LOCK WASHER	4	21	FSTI00356	1/2" CRIMP NUT	10
1.2.5	FSTI00174	5/16" FLAT WASHER	8	22	FSTI00366	POP RIVET ALUMINUM 3/16" x 1/2"	2
1.2.6	FSTI00175	5/16" X 1/2" CAP SCREW	4	23	FSTI00417	3/8" X 3/4" SERRATED FLANGE BOLT	4
1.2.7	FSTI00228	POP RIVET STEEL 3/16 X 1/2 X 5/8 HEAD	6	24	FSTI00420	1/2" X 2" CAP SCREW GRADE 8	6
1.2.8	FSTI00446	7/16" X 1" CARRIAGE BOLT	6	25	FSTI00430	5/16" X 2 1/2" SOCKET HEAD SET SCREW	5
1.2.9	FSTI00447	7/16" CRIMP LOCK NUT	6	26	FSTI00448	1/4" X 1 1/2" CARRIAGE BOLT	4
1.2.10	PCTI00943	PUSH OFF LUG 1	1	27	FSTI00451	EXTRUDED U NUT 1/4" -20	10
1.2.11	PCTI00944	PUSH OFF LUG 2	1	28	FSTI00703	1" X 2 1/4" CYLINDER PIN USEABLE LENGTH	4
1.2.12	PCTI00950	RH PUSH OF SIDE 08 SERIES	1	29	HYDI00401	CYL 2.0 X 48 X 1.25 ROD SLAVE	1
1.3	CMPI00106	F206 FLANGE BLOCK	2	30	HYDI00402	CYL 2.5 X 48 X 1.5 ROD MASTER	1
1.4	CMPI00109	BEARING YET 206-104	2	31	HYDI00670	VALVE BLOCK FLAT ACC 2016	1
1.5	FSTI00146	3/8" x 1 1/4" CARRIAGE BOLT	8	32	KIT100510	FALCON CONTROL KIT FLAT	1
1.6	FSTI00199	3/8" x 1" CARRIAGE BOLT	8	33	PCTI00855	SAFETY STOP	1
1.7	FSTI00206	3/8" LOCKNUT	16	34	PCTI00942	PLASTIC SIDE LH	1
1.8	WLDI00437	PUSH OFF BAR	1	35	PCTI00951	ACC PO SENSOR MOUNT	1
1.9	WLDI00453	AC4102 PUSH OFF ROLLER	1	36	PCTI00953	PLASTIC SIDE LH	1
2	CMPI00109	BEARING YET 206-104	8	37	PCTI00967	BALE TRIGGER SENSOR MOUNT	1
3	CMPI00169	FL206 2-BOLT HOUSING	8	38	SAFI00200	ACCUMULATOR SERIAL PLATE	1
4	CMPI00313	MANUAL CANISTER	1	39	STM100423	ACCUMULATOR MUD SHIELD	1
5	FSTI00127	3/16" X 1 1/2" COTTER PIN	8	40	WLDI00441	AC4104 CENTER BALAGE ROLLER	1
6	FSTI00134	1/4" FLAT WASHER	4	41	WLDI00442	SIDE SHORT ROLLER	2
7	FSTI00135	1/4" LOCK NUT	8	42	WLDI00882B	4108 CHASSIS STAGE 4 BALAGE	1
				43	WLD200639	REAR ROLLER, STACKER	1

AC4108

AC4108 SCALE ACCUMULATOR

WHG100564S

ITEM	PART NO.	DESCRIPTION	QTY
1	ASMI00565	SQUEEZER TAIL PIECE AC4106	1
2	ASMI00806S	AC4108 SCALE ACCUMULATOR	1
3	ASMI00809	EMERGENCY SHUT OFF ASSEMBLY	1
4	ASMI01082	CASTER ARM (TALL) ASSEMBLY 614	1
5	ASMI01085	CASTER ARM (LOW) ASSEMBLY 614	1
6	CMPI00860	TIRE 26 x 12 x 12 NHS 10PLY ON 2800LB YELLOW	4
7	CMPI01142	TIRE 26 x 12 x 12 10PLY ON 2800LB GREY	4
8	SAFI00200	FLAT ACCUMULATOR SERIAL PLATE	1



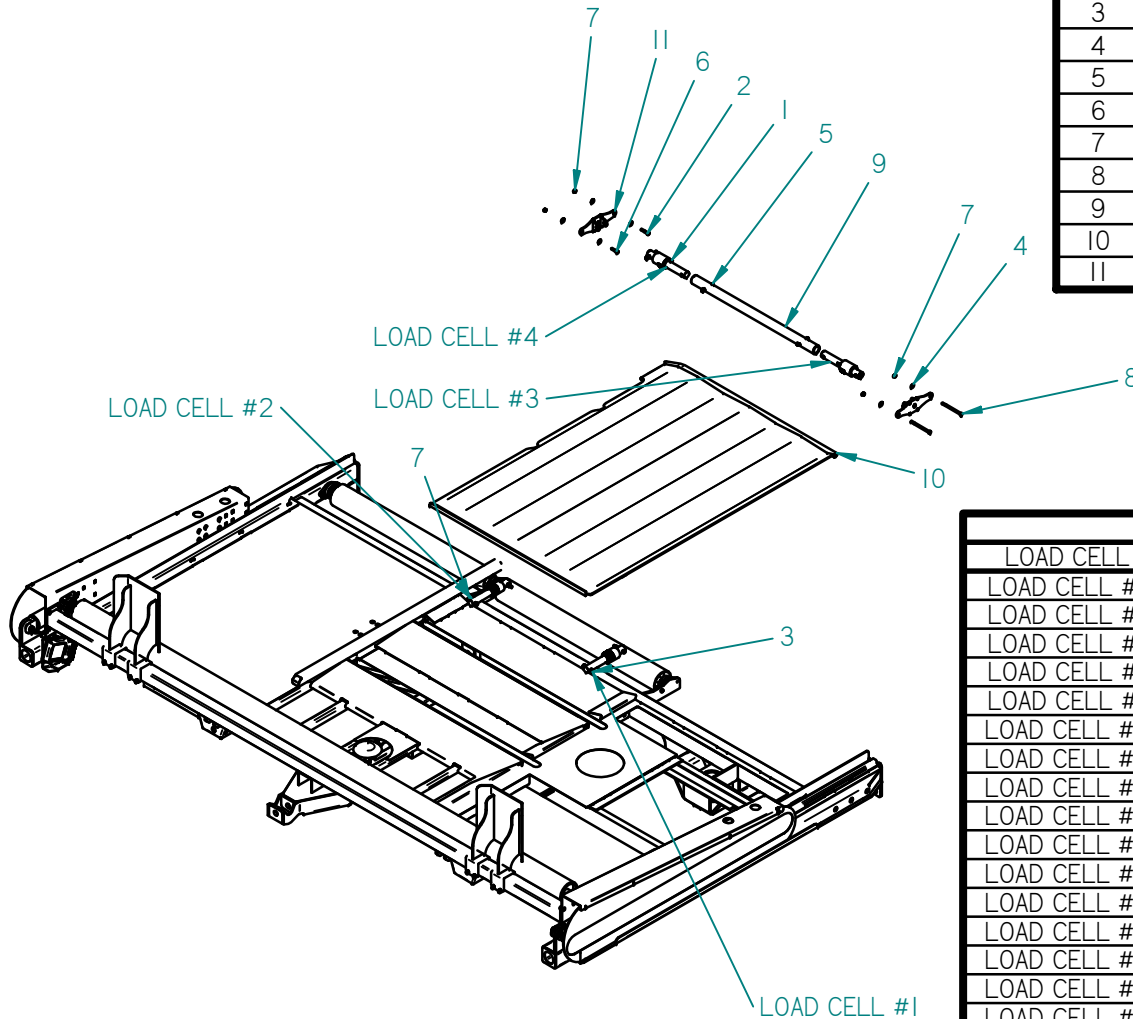
OPTIONS	
Part NO.	Description
WHEELS	
CMPI00244	TIRE 26 x 12 x 12 NHS 10 PLY FFS TL
CMPI00861	WHEEL 12 X 10.5 X 6 2800LB YELLOW
CMPI01141	WHEEL 12 X 10.5 X 6 2800LB GREY
DECALS	
SAFI00736	AC4108 PHIBER RH DECAL
SAFI00737	AC4108 PHIBER LH DECAL

AC4108

AC4108 SCALE ACCUMULATOR

ASMI00806S

ITEM	PART NO.	DESCRIPTION	QTY
1	ELC100321	LOAD CELL (DIGI-STAR)	4
2	FST100143	3/8" X 2" CAP SCREW	2
3	FST100144	3/8" X 2 1/2" CAP SCREW	4
4	FST100150	3/8" FLAT WASHER	13
5	FST100182	3/8" X 3" CAP SCREW	6
6	FST100201	3/8" X 1 1/2" CAP SCREW	1
7	FST100206	3/8" LOCKNUT	23
8	FST100238	3/8" X 5 1/2" BOLT	4
9	SAWI00005	LOAD CELL MOUNTING TUBE	1
10	WLDI00869	SCALE DECK 4106	1
11	WLDI00870	REAR BOLT ON LOAD CELL MOUNT	1



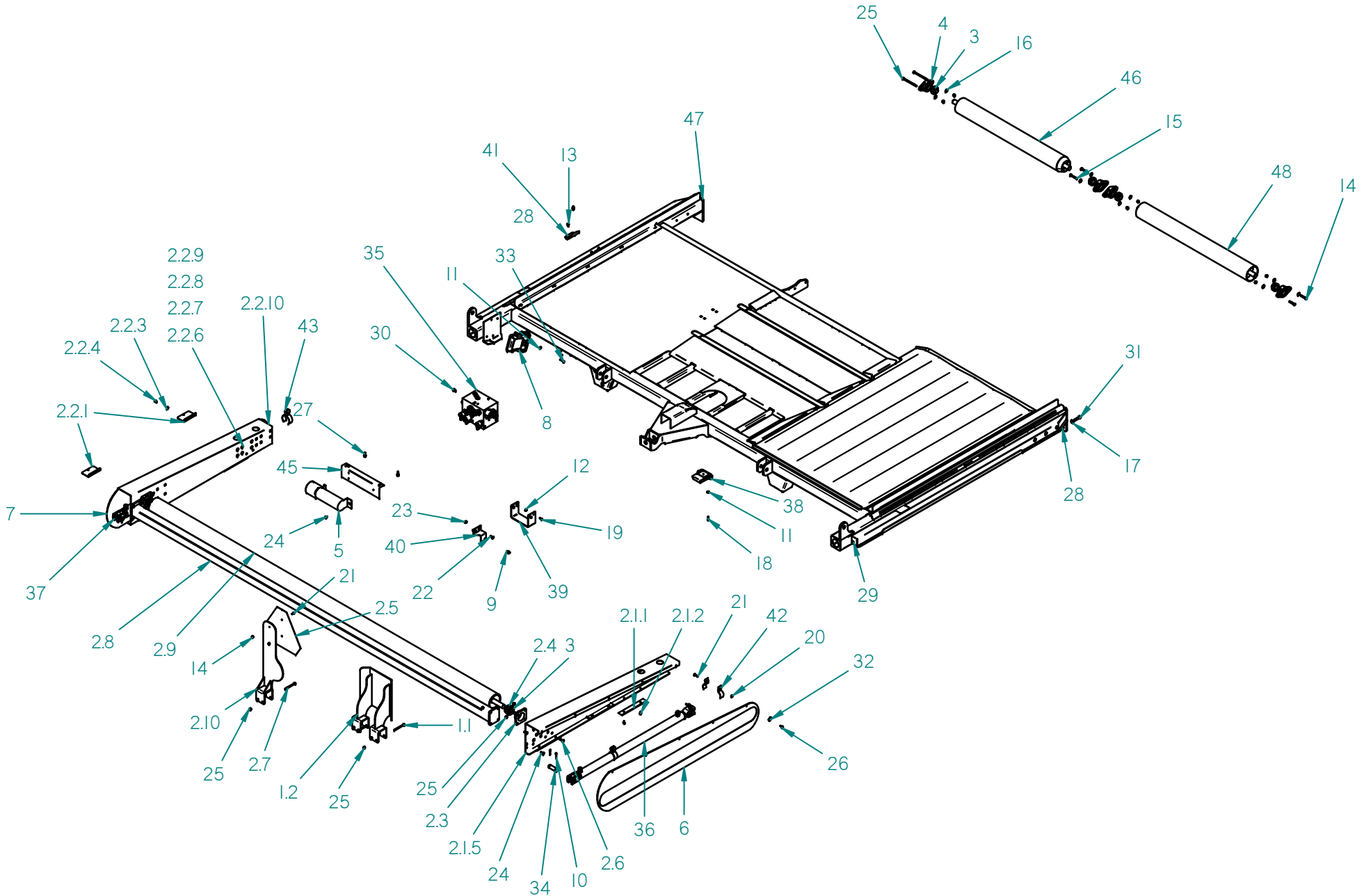
MERLIN PINOUT			
LOAD CELL	WIRE COLOUR	SIGNAL NAME	MERLIN CONNECTOR-PIN
LOAD CELL #1	RED	EXCITATION (+)	A-2
LOAD CELL #1	BLACK	EXCITATION (-)	A-4
LOAD CELL #1	WHITE	SIGNAL (+)	A-11
LOAD CELL #1	GREEN	SIGNAL (-)	A-12
LOAD CELL #1	NO INSULATION	SHIELD	TWISTED W/OTHER SHIELDS
LOAD CELL #2	RED	EXCITATION (+)	A-1
LOAD CELL #2	BLACK	EXCITATION (-)	A-3
LOAD CELL #2	WHITE	SIGNAL (+)	A-5
LOAD CELL #2	GREEN	SIGNAL (-)	A-6
LOAD CELL #2	NO INSULATION	SHIELD	TWISTED W/OTHER SHIELDS
LOAD CELL #3	RED	EXCITATION (+)	B-12
LOAD CELL #3	BLACK	EXCITATION (-)	B-9
LOAD CELL #3	WHITE	SIGNAL (+)	B-1
LOAD CELL #3	GREEN	SIGNAL (-)	B-2
LOAD CELL #3	NO INSULATION	SHIELD	TWISTED W/OTHER SHIELDS
LOAD CELL #4	RED	EXCITATION (+)	B-11
LOAD CELL #4	BLACK	EXCITATION (-)	B-8
LOAD CELL #4	WHITE	SIGNAL (+)	B-3
LOAD CELL #4	GREEN	SIGNAL (-)	B-4
LOAD CELL #4	NO INSULATION	SHIELD	TWISTED W/OTHER SHIELDS

AC4108

AC4108 SCALE ACCUMULATOR

ASMI00806S

SERIAL # PHB03108HL0002430 AND OVER



AC4108

AC4108 SCALE ACCUMULATOR

ASMI00806S

SERIAL # PHB03108HL0002430 AND OVER

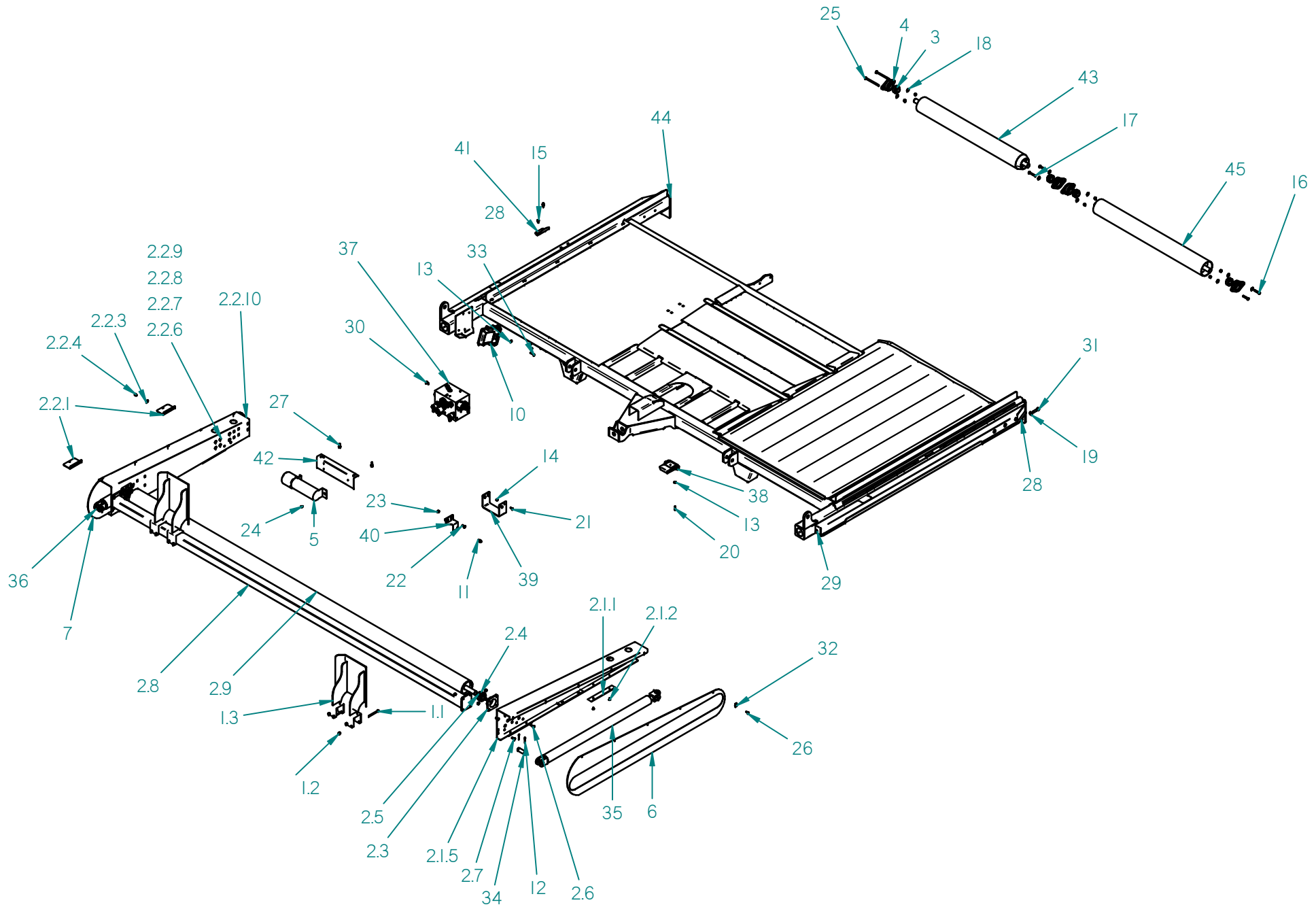
ITEM	PART NO.	DESCRIPTION	QTY	ITEM	PART NO.	DESCRIPTION	QTY
1	ASMI00677	BALE PUSHOFF HELPER ASSEMBLY	1	10	FST100127	3/16" X 1 1/2" COTTER PIN	6
1.1	FST100200	3/8" X 4" CAP SCREW	8	11	FST100134	1/4" FLAT WASHER	6
1.2	WLDI00677	BALE PUSHOFF HELPER	1	12	FST100135	1/4" LOCK NUT	4
2	ASMI00808	AC41041091 PUSH OFF ASSEMBLY	1	13	FST100142	3/8" X 3/4" CAP SCREW	2
2.1	ASMI00803	PUSH OFF SIDE LH	1	14	FST100143	3/8" X 2" CAP SCREW	2
2.1.1	CMPI00147	PLASTIC STRIP BOTTOM	6	15	FST100144	3/8" X 2 1/2" CAP SCREW	2
2.1.2	FST100228	POP RIVET STEEL 3/16 X 1/2 X 5/8 HEAD	6	16	FST100150	3/8" FLAT WASHER	9
2.1.3	FST100446	7/16" X 1" CARRIAGE BOLT	6	17	FST100151	1/2" FLAT WASHER HARDENED	12
2.1.4	FST100447	7/16" CRIMP LOCK NUT	6	18	FST100156	1/4" X 1" CAP SCREW	2
2.1.5	PCT100941	LH PUSH OF SIDE 08 SERIES	1	19	FST100169	1/4" x 3/4" CAP SCREW	4
2.1.6	PCT100943	PUSH OFF LUG 1	1	20	FST100173	5/16" LOCK NUT	4
2.1.7	PCT100944	PUSH OFF LUG 2	1	21	FST100177	5/16" X 1 1/4" CAP SCREW	4
2.2	ASMI01039	PUSH OFF SIDE RH	1	22	FST100199	3/8" x 1" CARRIAGE BOLT	10
2.2.1	ASMI01020	PUSH-OFF MAGNET ACTIVATOR	2	23	FST100206	3/8" LOCKNUT	32
2.2.2	CMPI00147	PLASTIC STRIP BOTTOM	3	24	FST100228	POP RIVET STEEL 3/16 X 1/2 X 5/8 HEAD	3
2.2.3	FST100174	5/16" FLAT WASHER	4	25	FST100238	3/8" X 5 1/2" BOLT	2
2.2.4	FST100175	5/16" X 1/2" CAP SCREW	4	26	FST100247	1/4" X 3/4" FLANGE BOLTS	6
2.2.5	FST100228	POP RIVET STEEL 3/16 X 1/2 X 5/8 HEAD	6	27	FST100263	5/16" x 1" SELF TAP	2
2.2.6	FST100446	7/16" X 1" CARRIAGE BOLT	12	28	FST100356	1/2" CRIMP NUT	6
2.2.7	FST100447	7/16" CRIMP LOCK NUT	12	29	FST100366	POP RIVET ALUMINUM 3/16" x 1/2"	2
2.2.8	PCT100943	PUSH OFF LUG 1	2	30	FST100417	3/8" X 3/4" SERRATED FLANGE BOLT	4
2.2.9	PCT100944	PUSH OFF LUG 2	2	31	FST100420	1/2" X 2" CAP SCREW GRADE 8	6
2.2.10	WLDI01138	RH PUSH OFF SIDE WELDT	1	32	FST100451	EXTRUDED U NUT 1/4" -20	10
2.3	CMPI00106	F206 FLANGE BLOCK	2	33	FST100461	1/4" X 1 1/2" BLACK PAN HEAD MACHINE	4
2.4	CMPI00109	BEARING YET 206-104	2	34	FST100703	1" X 2 1/4" CYLINDER PIN USEABLE LENGTH	4
2.5	CMPI00171	SLOW MOVING VEHICLE ISMV SIGN	1	35	HYDI00670	VALVE BLOCK FLAT ACC	1
2.6	FST100147	3/8" x 1 1/2" CARRIAGE BOLT	8	36	HYDI00923	CYL 2.0 X 40 X 1.25 ROD SLAVE	1
2.7	FST100200	3/8" X 4" CAP SCREW	2	37	HYDI00924	CYL 2.5 X 40 X 1.5 ROD MASTER	1
2.8	WLDI00437	PUSH OFF BAR	1	38	KIT100520	MERLIN SCALE CONTROLLER KIT	1
2.9	WLDI00453	AC41 PUSH OFF ROLLER	1	39	PCT100855	SAFETY STOP	1
2.10	WLDI01247	SMV AND SIS MOUNT WLDT	1	40	PCT100967	BALE TRIGGER SENSOR MOUNT	1
3	CMPI00109	BEARING YET 206-104	4	41	PCT101177	ACC PO SENSOR MOUNT	1
4	CMPI00169	FL206 2-BOLT HOUSING	4	42	PCT101683	SLAVE CYL HOSE CLAMP	4
5	CMPI00313	MANUAL CANISTER	1	43	PCT101684	MASTER CYL HOSE CLAMP	4
6	CMPI00328	LH FLAT PLASTIC SIDE	1	44	SAF100763	HORIZONTAL TRAINING QR DECAL	1
7	CMPI00329	RH FLAT PLASTIC SIDE	1	45	STMI00423	ACCUMULATOR MUD SHIELD	1
8	ELC100509	FALCON CONTROLLER, WIFI	1	46	WLDI00442	SIDE SHORT ROLLER	1
9	ELC100533	PROXIMITY SWITCH ASSEMBLY	3	47	WLDI00882S	4108 CHASSIS STAGE 3 SCALE	1
				48	WLD200639	REAR ROLLER, STACKER	1

AC4108

AC4108 SCALE ACCUMULATOR

ASMI00806S

SERIAL # BA42373 TO PHB04108TL0002429



AC4108 AC4108 SCALE ACCUMULATOR ASMI00806S

SERIAL # BA42373 TO PHB04108TL0002429

ITEM	PART NO.	DESCRIPTION	QTY	ITEM	PART NO.	DESCRIPTION	QTY
1	ASMI00677	BALE PUSHOFF HELPER ASSEMBLY	2	9	ELCI00482	WIRE HARNESS MAIN, FLAT	1
1.1	FSTI00200	3/8" X 4" CAP SCREW	8	10	ELCI00509	FALCON CONTROLLER, WIFI	1
1.2	FSTI00206	3/8" LOCKNUT	16	11	ELCI00533	PROXIMITY SWITCH ASSEMBLY	3
1.3	WLDI00677	BALE PUSHOFF HELPER	1	12	FSTI00127	3/16" X 1 1/2" COTTER PIN	6
2	ASMI00808	AC4104(09) PUSH OFF ASSEMBLY	1	13	FSTI00134	1/4" FLAT WASHER	6
2.1	ASMI00803	PUSH OFF SIDE LH	1	14	FSTI00135	1/4" LOCK NUT	4
2.1.1	CMPI00147	PLASTIC STRIP BOTTOM	6	15	FSTI00142	3/8" X 3/4" CAP SCREW	2
2.1.2	FSTI00228	POP RIVET STEEL 3/16 X 1/2 X 5/8 HEAD	6	16	FSTI00143	3/8" X 2" CAP SCREW	2
2.1.3	FSTI00446	7/16" X 1" CARRIAGE BOLT	6	17	FSTI00144	3/8" X 2 1/2" CAP SCREW	2
2.1.4	FSTI00447	7/16" CRIMP LOCK NUT	6	18	FSTI00150	3/8" FLAT WASHER	9
2.1.5	PCTI00941	LH PUSH OF SIDE 08 SERIES	1	19	FSTI00151	1/2" FLAT WASHER HARDENED	12
2.1.6	PCTI00943	PUSH OFF LUG 1	1	20	FSTI00156	1/4" X 1" CAP SCREW	2
2.1.7	PCTI00944	PUSH OFF LUG 2	1	21	FSTI00169	1/4" x 3/4" CAP SCREW	4
2.2	ASMI01039	PUSH OFF SIDE RH	1	22	FSTI00199	3/8" x 1" CARRIAGE BOLT	10
2.2.1	ASMI01020	PUSH-OFF MAGNET ACTIVATOR	2	23	FSTI00206	3/8" LOCKNUT	32
2.2.2	CMPI00147	PLASTIC STRIP BOTTOM	3	24	FSTI00228	POP RIVET STEEL 3/16 X 1/2 X 5/8 HEAD	3
2.2.3	FSTI00174	5/16" FLAT WASHER	4	25	FSTI00238	3/8" X 5 1/2" BOLT	2
2.2.4	FSTI00175	5/16" X 1/2" CAP SCREW	4	26	FSTI00247	1/4" X 3/4" FLANGE BOLTS	6
2.2.5	FSTI00228	POP RIVET STEEL 3/16 X 1/2 X 5/8 HEAD	6	27	FSTI00263	5/16" x 1" SELF TAP	2
2.2.6	FSTI00446	7/16" X 1" CARRIAGE BOLT	12	28	FSTI00356	1/2" CRIMP NUT	6
2.2.7	FSTI00447	7/16" CRIMP LOCK NUT	12	29	FSTI00366	POP RIVET ALUMINUM 3/16" x 1/2"	2
2.2.8	PCTI00943	PUSH OFF LUG 1	2	30	FSTI00417	3/8" X 3/4" SERRATED FLANGE BOLT	4
2.2.9	PCTI00944	PUSH OFF LUG 2	2	31	FSTI00420	1/2" X 2" CAP SCREW GRADE 8	6
2.2.10	WLDI01138	RH PUSH OFF SIDE WELDT	1	32	FSTI00451	EXTRUDED U NUT 1/4" -20	10
2.3	CMPI00106	F206 FLANGE BLOCK	2	33	FSTI00461	1/4" X 1 1/2" BLACK PAN HEAD MACHINE	4
2.4	CMPI00109	BEARING YET 206-104	2	34	FSTI00703	1" X 2 1/4" CYLINDER PIN USEABLE LENGTH	4
2.5	FST-100206	3/8" LOCKNUT	16	35	HYDI00206	CYL 2 X 40 X 1.25 ROD SLAVE	1
2.6	FSTI00147	3/8" x 1 1/2" CARRIAGE BOLT	8	36	HYDI00207	CYL 2.5 X 40 X 1.5 ROD MASTER	1
2.7	FSTI00199	3/8" x 1" CARRIAGE BOLT	8	37	HYDI00670	VALVE BLOCK FLAT ACC 2016	1
2.8	WLDI00437	PUSH OFF BAR	1	38	KIT100520	MERLIN SCALE CONTROLLER KIT	1
2.9	WLDI00453	AC4102 PUSH OFF ROLLER	1	39	PCTI00855	SAFETY STOP	1
3	CMPI00109	BEARING YET 206-104	4	40	PCTI00967	BALE TRIGGER SENSOR MOUNT	1
4	CMPI00169	FL206 2-BOLT HOUSING	4	41	PCTI01177	ACC PO SENSOR MOUNT	1
5	CMPI00313	MANUAL CANISTER	1	42	STMI00423	ACCUMULATOR MUD SHIELD	1
6	CMPI00328	LH FLAT PLASTIC SIDE	1	43	WLDI00442	SIDE SHORT ROLLER	1
7	CMPI00329	RH FLAT PLASTIC SIDE	1	44	WLDI00882S	4108 CHASSIS STAGE 4 SCALE	1
8	ELCI00403	DIAGNOSTIC CABLE ASSEMBLY JCA68-000017	1	45	WLD200639	REAR ROLLER, STACKER	1

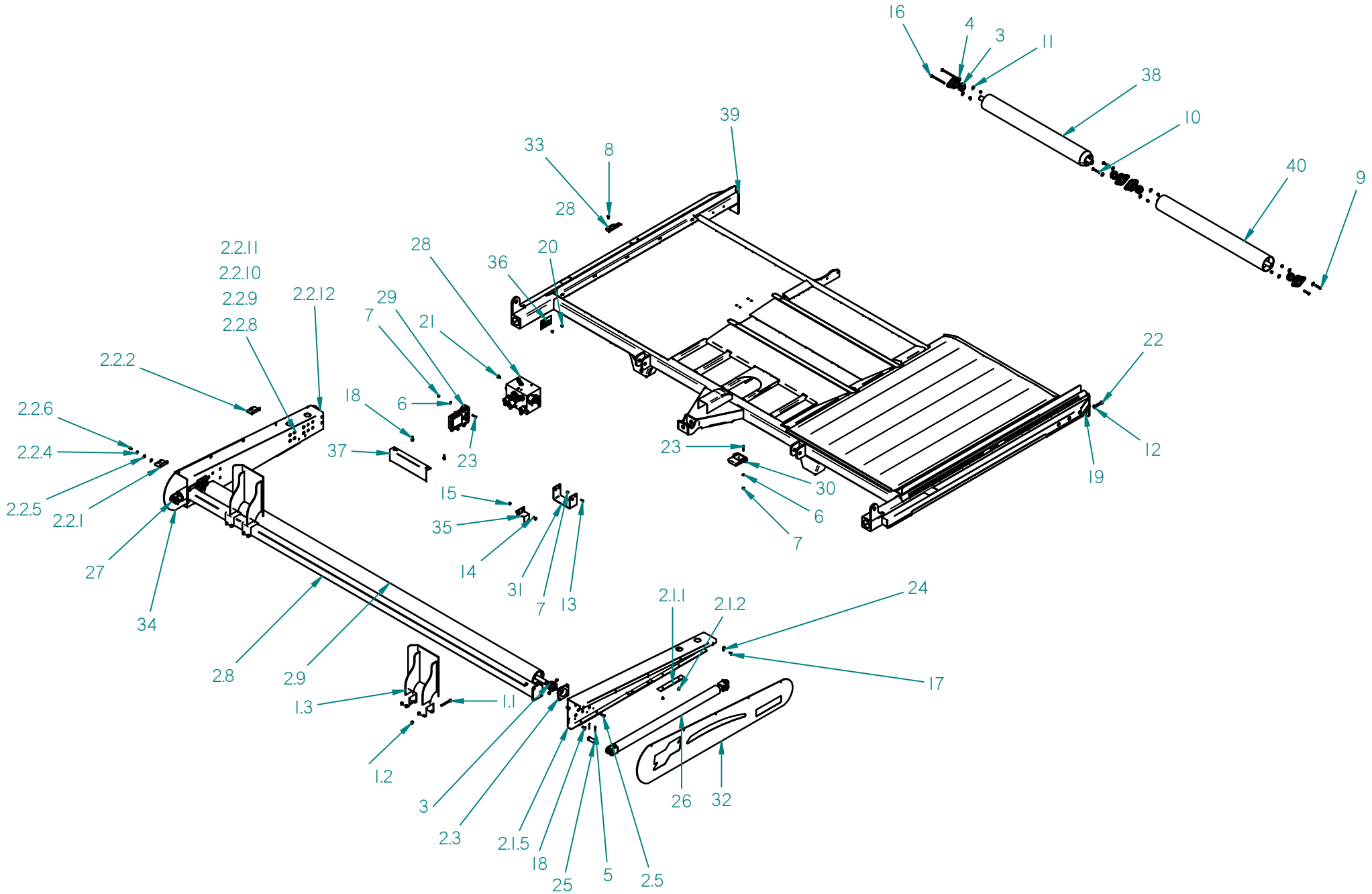
REPLACING # 35, 36 REQUIRES KIT100558- FLAT CYLINDER UPDATE KIT

AC4108

AC4108 SCALE ACCUMULATOR

ASMI00806S

SERIAL # BA42372 AND UNDER



AC4108

AC4108 SCALE ACCUMULATOR

ASMI00806S

SERIAL # BA42372 AND UNDER

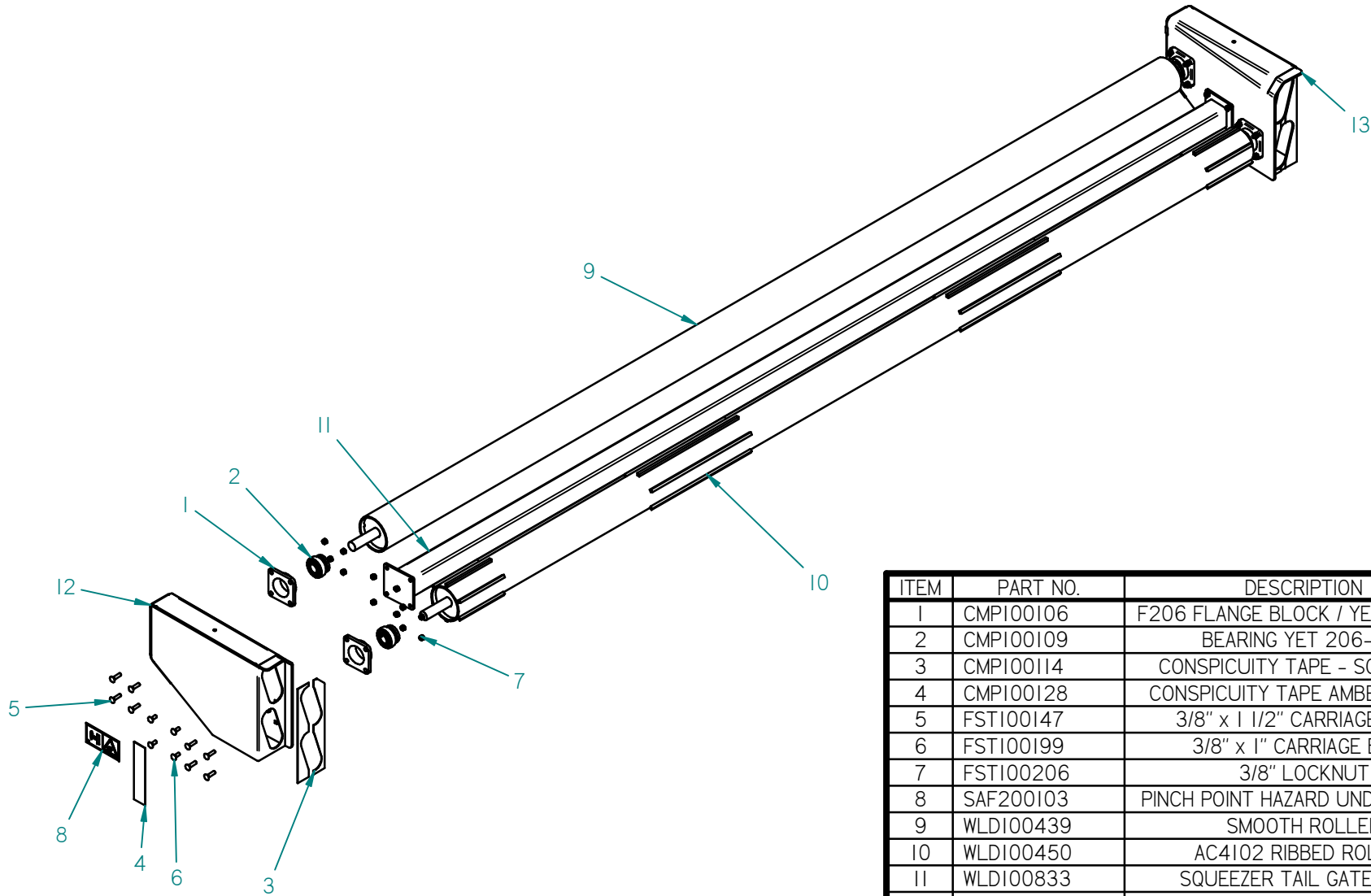
ITEM	PART NO.	DESCRIPTION	QTY	ITEM	PART NO.	DESCRIPTION	QTY
1	ASMI00677	BALE PUSHOFF HELPER ASSEMBLY	2	5	FST100127	3/16" X 1 1/2" COTTER PIN	6
1.1	FST100200	3/8" X 4" CAP SCREW	8	6	FST100134	1/4" FLAT WASHER	6
1.2	FST100206	3/8" LOCKNUT	16	7	FST100135	1/4" LOCK NUT	10
1.3	WLDI00677	BALE PUSHOFF HELPER	1	8	FST100142	3/8" X 3/4" CAP SCREW	2
2	ASMI00808	AC4104(09) PUSH OFF ASSEMBLY	1	9	FST100143	3/8" X 2" CAP SCREW	2
2.1	ASMI00803	PUSH OFF SIDE LH	1	10	FST100144	3/8" X 2 1/2" CAP SCREW	2
2.1.1	CMPI00147	PLASTIC STRIP BOTTOM	6	11	FST100150	3/8" FLAT WASHER	9
2.1.2	FST100228	POP RIVET STEEL 3/16 X 1/2 X 5/8 HEAD	6	12	FST100151	1/2" FLAT WASHER HARDENED	12
2.1.3	FST100446	7/16" X 1" CARRIAGE BOLT	6	13	FST100169	1/4" x 3/4" CAP SCREW	4
2.1.4	FST100447	7/16" CRIMP LOCK NUT	6	14	FST100199	3/8" x 1" CARRIAGE BOLT	10
2.1.5	PCT100941	LH PUSH OF SIDE 08 SERIES	1	15	FST100206	3/8" LOCKNUT	32
2.1.6	PCT100943	PUSH OFF LUG 1	1	16	FST100238	3/8" X 5 1/2" BOLT	2
2.1.7	PCT100944	PUSH OFF LUG 2	1	17	FST100247	1/4" X 3/4" FLANGE BOLTS	6
2.2	ASMI00804	PUSH OFF SIDE RH	1	18	FST100263	5/16" x 1" SELF TAP	2
2.2.1	ASMI01006	FRONT MAGNET ACTIVATOR	1	19	FST100356	1/2" CRIMP NUT	6
2.2.2	ASMI01007	REAR MAGNET ACTIVATOR	1	20	FST100366	POP RIVET ALUMINUM 3/16" x 1/2"	2
2.2.3	CMPI00147	PLASTIC STRIP BOTTOM	3	21	FST100417	3/8" X 3/4" SERRATED FLANGE BOLT	4
2.2.4	FST100138	5/16" LOCK WASHER	4	22	FST100420	1/2" X 2" CAP SCREW GRADE 8	6
2.2.5	FST100174	5/16" FLAT WASHER	8	23	FST100448	1/4" X 1 1/2" CARRIAGE BOLT	6
2.2.6	FST100175	5/16" X 1/2" CAP SCREW	4	24	FST100451	EXTRUDED U NUT 1/4" -20	10
2.2.7	FST100228	POP RIVET STEEL 3/16 X 1/2 X 5/8 HEAD	6	25	FST100703	1" X 2 1/4" CYLINDER PIN USEABLE LENGTH	4
2.2.8	FST100446	7/16" X 1" CARRIAGE BOLT	12	26	HYDI00206	CYL 2 X 40 X 1.25 ROD SLAVE	1
2.2.9	FST100447	7/16" CRIMP LOCK NUT	12	27	HYDI00207	CYL 2.5 X 40 X 1.5 ROD MASTER	1
2.2.10	PCT100943	PUSH OFF LUG 1	2	28	HYDI00670	VALVE BLOCK FLAT ACC 2016	1
2.2.11	PCT100944	PUSH OFF LUG 2	2	29	KIT100510	FALCON CONTROL KIT FLAT ACC.2016	1
2.2.12	PCT100950	RH PUSH OF SIDE 08 SERIES	1	30	KIT100520	MERLIN SCALE CONTROLLER KIT	1
2.3	CMPI00106	F206 FLANGE BLOCK	2	31	PCT100855	SAFETY STOP	1
2.4	CMPI00109	BEARING YET 206-104	2	32	PCT100942	PLASTIC SIDE LH	1
2.5	FST100146	3/8" x 1 1/4" CARRIAGE BOLT	8	33	PCT100951	ACC PO SENSOR MOUNT	1
2.6	FST100199	3/8" x 1" CARRIAGE BOLT	8	34	PCT100953	PLASTIC SIDE LH	1
2.7	FST100206	3/8" LOCKNUT	16	35	PCT100967	BALE TRIGGER SENSOR MOUNT	1
2.8	WLDI00437	PUSH OFF BAR	1	36	SAFI00200	ACCUMULATOR SERIAL PLATE	1
2.9	WLDI00453	AC4102 PUSH OFF ROLLER	1	37	STMI00423	ACCUMULATOR MUD SHIELD	1
3	CMPI00109	BEARING YET 206-104	4	38	WLDI00442	SIDE SHORT ROLLER	1
4	CMPI00169	FL206 2-BOLT HOUSING	4	39	WLDI00882S	4108 CHASSIS STAGE 4 SCALE	1
				40	WLD200639	REAR ROLLER, STACKER	1

REPLACING # 26, 27 REQUIRES KIT100558- FLAT CYLINDER UPDATE KIT

AC4108

SQUEEZER TAIL PIECE AC4106

ASMI00565



ITEM	PART NO.	DESCRIPTION	QTY
1	CMPI00106	F206 FLANGE BLOCK / YET 206-104	4
2	CMPI00109	BEARING YET 206-104	4
3	CMPI00114	CONSPICUITY TAPE - SOLID RED	4
4	CMPI00128	CONSPICUITY TAPE AMBER 2" X 9"	2
5	FST100147	3/8" x 1 1/2" CARRIAGE BOLT	16
6	FST100199	3/8" x 1" CARRIAGE BOLT	8
7	FST100206	3/8" LOCKNUT	24
8	SAF200103	PINCH POINT HAZARD UNDER LIFT IN	2
9	WLDI00439	SMOOTH ROLLER	1
10	WLDI00450	AC4102 RIBBED ROLLER	1
11	WLDI00833	SQUEEZER TAIL GATE TUBE	1
12	WLDI00834	LH TAIL PIECE SIDE	1
13	WLDI00835	RH TAIL PIECE SIDE	1

This page is intentionally left blank

AC4108

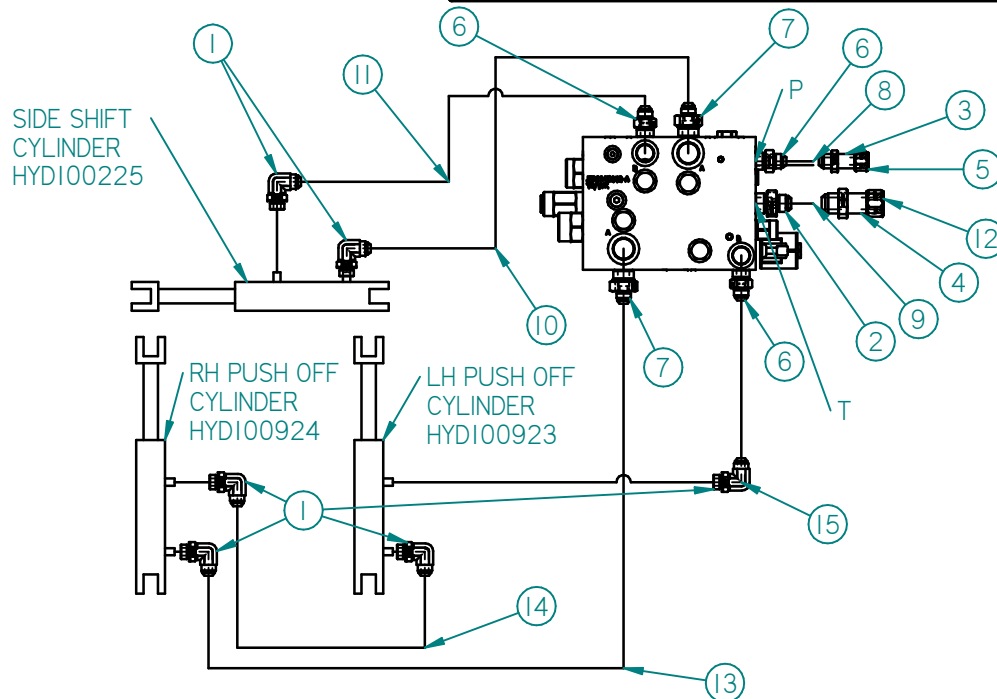
HOSE KIT, AC41 SERIES

HYDI00931

SERIAL # PHB03108HL0002430 AND OVER

Item	Part NO.	Description	QTY	FITTINGS
1	HYDI00337	ST ELBOW 90 DEG 08 MJIC X 08 MORB	6	
2	HYDI00389	ST ADAPTER 10 MJIC X 12 MORB	1	
3	HYDI00392	ST BULKHEAD 08 MJIC X 08 MJIC	1	
4	HYDI00393	ST BULKHEAD 12 MJIC X 12 MJIC	1	
5	HYDI00530	ST CAP 08 FJIC	1	
6	HYDI00534	ST ADAPTER 08 MJIC X 10 MORB	3	
7	HYDI00578	ST ADAPTER 08 MJIC X 12 MORB	2	
8	HYDI00580	AC3106 / 4106 MAIN PRESSURE HOSE	1	HYDI00534 FINGER TIGHT
9	HYDI00581	AC3106 / 4106 RETURN HOSE	1	HYDI00389 FINGER TIGHT
10	HYDI00589	AC4106 SIDE SHIFT HOSE CAP END	1	HYDI00337, HYDI00578 FINGER TIGHT
11	HYDI00590	AC4106 SIDE SHIFT HOSE ROD END	1	HYDI00337, HYDI00534 FINGER TIGHT
12	HYDI00594	ST CAP 12 FJIC	1	
13	HYDI00934	AC41 PUSH OFF HOSE MASTER CAP END	1	HYDI00337, HYDI00578 FINGER TIGHT
14	HYDI00935	AC41 PUSH OFF HOSE MASTER TO SLAVE	1	HYDI00337 FINGER TIGHT BOTH ENDS
15	HYDI00936	AC41 PUSH OFF HOSE SLAVE ROD END TO RETURN	1	HYDI00337, HYDI00534 FINGER TIGHT
	KIT100413	HOSE ACC. TO TRACTOR 35' (2014)		
	KIT100421	HOSE ACC. TO TRACTOR 38' (2014)		

HYDRAULIC CYLINDERS		
Item	Part NO.	Description
N/A	HYDI00225	CYL 2.5 X 36
	HYDI00608	SEAL KIT AC3104 SS CYL
N/A	HYDI00923	CYL 2.0 X 40 X 1.25 ROD SLAVE
	HYDI00401	CYL 2.0 X 48 X 1.25 ROD SLAVE
	HYDI00606	SEAL KIT, PUSH OFF SLAVE CYLINDER
N/A	HYDI00924	CYL 2.5 X 40 X 1.5 ROD MASTER
	HYDI00402	CYL 2.5 X 48 X 1.5 ROD MASTER
	HYDI00607	SEAL KIT, PUSH OFF MASTER CYLINDER



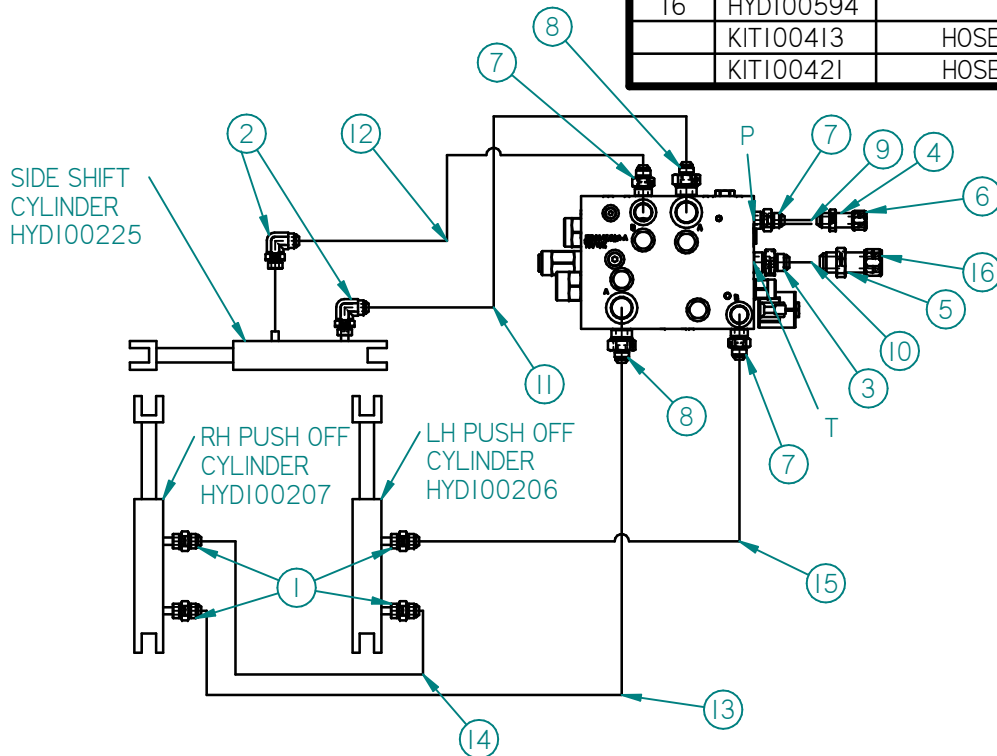
AC4108

HOSE KIT, AC41 SERIES

HYDI00644

SERIAL # PHB04108TL0002429 AND UNDER

Item	Part NO.	Description	QTY	FITTINGS
1	HYDI00334	6400-08-08 ADAPTER, MJIC TO MORB	4	
2	HYDI00337	6801-08-08 ELBOW 90°, MORB to MJIC	2	
3	HYDI00389	ADAPTER 10 MJIC X 12 MORB	1	
4	HYDI00392	BULKHEAD 08 MJIC X 08 MJIC	1	
5	HYDI00393	BULKHEAD 12 MJIC X 12 MJIC	1	
6	HYDI00530	CAP 08 FJIC	1	
7	HYDI00534	ADAPTER 08 MJIC X 10 MORB	3	
8	HYDI00578	6400-08-12 ADAPTER, MALE JIC to MALE	2	
9	HYDI00580	AC3106 / 4106 MAIN PRESSURE HOSE	1	HYDI00534 FINGER TIGHT
10	HYDI00581	AC3106 / 4106 RETURN HOSE	1	HYDI00389 FINGER TIGHT
11	HYDI00589	AC4106 SIDE SHIFT HOSE CAP END	1	HYDI00337, HYDI00578 FINGER TIGHT
12	HYDI00590	AC4106 SIDE SHIFT HOSE ROD END	1	HYDI00337, HYDI00534 FINGER TIGHT
13	HYDI00591	AC4106 PUSH OFF HOSE MASTER CAP END	1	HYDI00334, HYDI00578 FINGER TIGHT
14	HYDI00592	AC4106 PUSH OFF HOSE MASTER TO SLAVE	1	HYDI00334 FINGER TIGHT BOTH ENDS
15	HYDI00593	AC4106 PUSH OFF HOSE SLAVE ROD END	1	HYDI00334, HYDI00534 FINGER TIGHT
16	HYDI00594	CAP 12 FJIC	1	
	KIT100413	HOSE ACC. TO TRACTOR 35' (2014)		
	KIT100421	HOSE ACC. TO TRACTOR 38' (2014)		



HYDRAULIC CYLINDERS		
Item	Part NO.	Description
N/A	HYDI00225	CYL 2.5 X 36
	HYDI00608	SEAL KIT AC3104 SS CYL
N/A	HYDI00206	CYL 2.0 X 40 X 1.25 ROD SLAVE
	HYDI00401	CYL 2.0 X 48 X 1.25 ROD SLAVE
	HYDI00606	SEAL KIT, PUSH OFF SLAVE CYLINDER
N/A	HYDI00207	CYL 2.5 X 40 X 1.5 ROD MASTER
	HYDI00402	CYL 2.5 X 48 X 1.5 ROD MASTER
	HYDI00607	SEAL KIT, PUSH OFF MASTER CYLINDER

REPLACING HYDI00206, HYDI00207 REQUIRES KIT100558

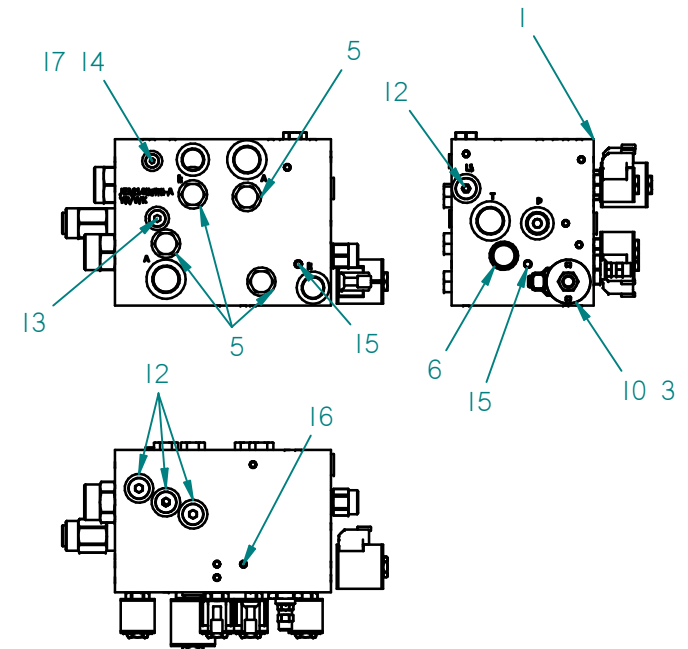
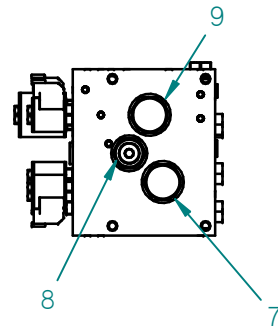
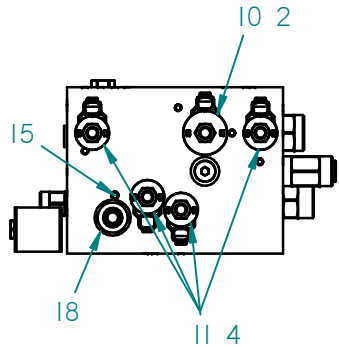
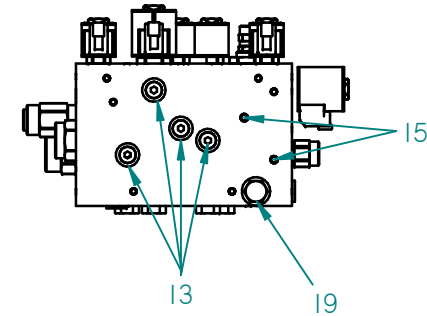
AC3108/4108

VALVE BLOCK FLAT ACC

HYDI00670

Item	Part NO.	Description	QTY	Torque (ft-lb)	Seal Kit
1		MANIFOLD BLOCK	1	N/A	
2	HYDI00595	HYDRAFORCE SOLENOID VALVE SV12	1	35	HYDI00435
3	HYDI00596	HYDRAFORCE SOLENOID VALVE SV10	1	25	HYDI00619
4	HYDI00597	HYDRAFORCE SOLENOID VALVE SV08	4	20	HYDI00622
5	HYDI00990	CHECK VALVE, 4 PSI	4	20	HYDI00988
6	HYDI00602	HYDRAFORCE DIRECTIONAL VALVE	1	25	HYDI00436
7	HYDI00603	HYDRAFORCE DIRECTIONAL VALVE	1	50	
8	HYDI00604	HYDRAFORCE PRESSURE COMPENSATOR	1	35	HYDI00623
9	HYDI00601	DIRECTIONAL VALVE	1	50	HYDI00962
10	HYDI00598	HYDRAFORCE COIL 4303712	2	5	
11	HYDI00599	HYDRAFORCE COIL 4303612	4	5	
12		SAE PLUG, SOCKET	5	50	
13		SAE PLUG, SOCKET	5	25	
14		SAE PLUG, SOCKET	1	20	
15		EXPANDER PLUG, 8 MM	5	N/A	
16		EXPANDER PLUG, 7 MM	24	N/A	
17		ORIFICE, 1/16-27 NPT, 0.050 DIAMETER	1	N/A	
18	HYDI00673	FLOW REGULATOR, PRESSURE COMPENSATED	1	35	HYDI00621
19	HYDI00989	HYDRAFORCE FLOW REGULATOR,	1	20	HYDI00616
	HYDI00322	ORB O-RING SEAL KIT HYD VALVE			

CLOSED CENTER: REMOVE HYDI00604, INSTALL HYDI00600

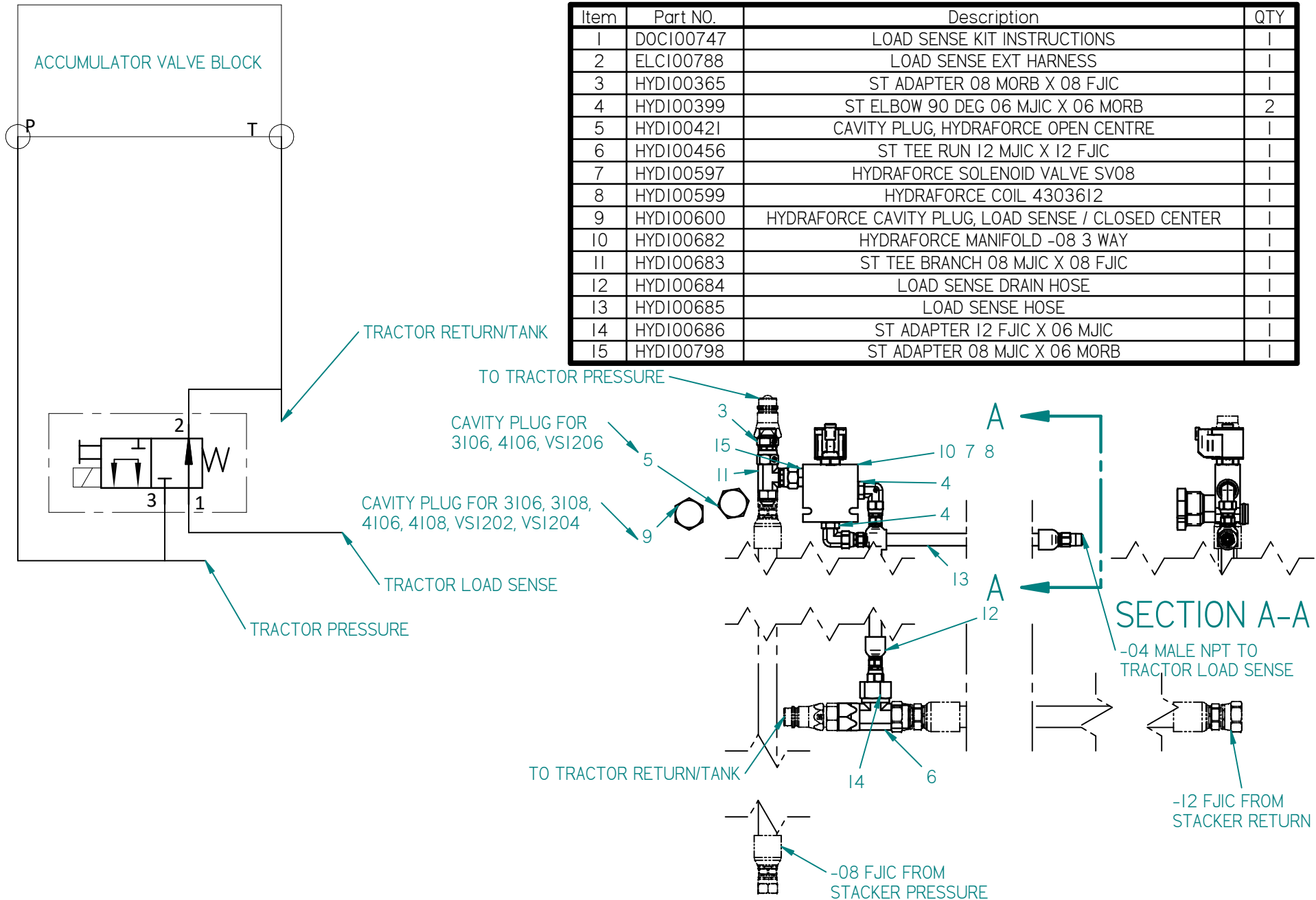


AC3108/4108

LOAD SENSE KIT

KIT100169

Item	Part NO.	Description	QTY
1	DOC100747	LOAD SENSE KIT INSTRUCTIONS	1
2	ELC100788	LOAD SENSE EXT HARNESS	1
3	HYD100365	ST ADAPTER 08 MORB X 08 FJIC	1
4	HYD100399	ST ELBOW 90 DEG 06 MJIC X 06 MORB	2
5	HYD100421	CAVITY PLUG, HYDRAFORCE OPEN CENTRE	1
6	HYD100456	ST TEE RUN 12 MJIC X 12 FJIC	1
7	HYD100597	HYDRAFORCE SOLENOID VALVE SV08	1
8	HYD100599	HYDRAFORCE COIL 4303612	1
9	HYD100600	HYDRAFORCE CAVITY PLUG, LOAD SENSE / CLOSED CENTER	1
10	HYD100682	HYDRAFORCE MANIFOLD -08 3 WAY	1
11	HYD100683	ST TEE BRANCH 08 MJIC X 08 FJIC	1
12	HYD100684	LOAD SENSE DRAIN HOSE	1
13	HYD100685	LOAD SENSE HOSE	1
14	HYD100686	ST ADAPTER 12 FJIC X 06 MJIC	1
15	HYD100798	ST ADAPTER 08 MJIC X 06 MORB	1



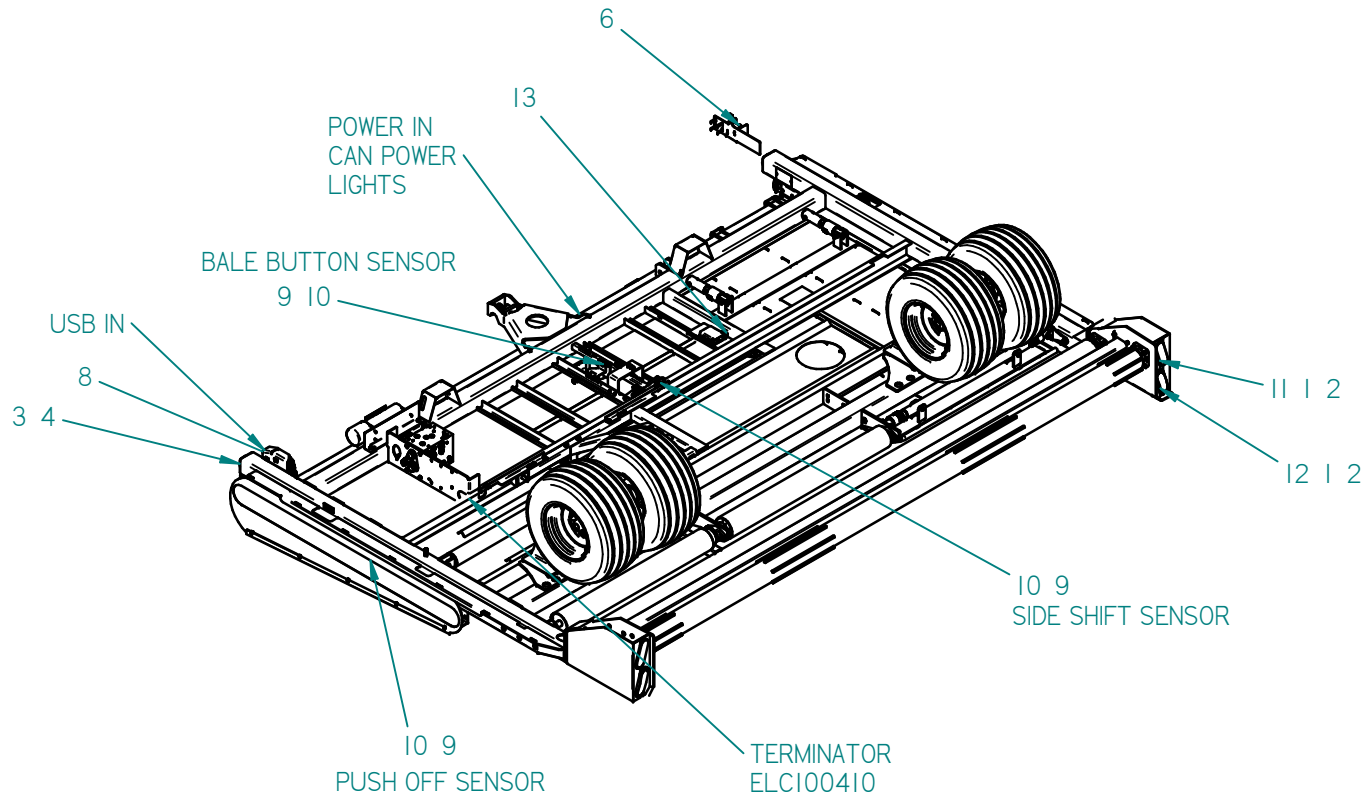
AC3108/4108

ELECTRICAL CONTROL SYSTEM

WHG100564S

SERIAL # BA42373 AND OVER

ITEM	PART NO.	DESCRIPTION	QTY
1	ELC100183	LIGHT, OVAL GROMMET 92420	4
2	ELC100184	LIGHT, OVAL 3 PIN PIGTAIL 67000	4
3	ELC100331	LIGHT, ROUND AMBER 13 LED 2 1/2"- 3C4	2
4	ELC100332	LIGHT, OPEN GROMMET 2 1/2"- 3D2	2
5	ELC100403	DIAGNOSTIC CABLE ASSEMBLY	1
6	ELC100480	SAFETY SHUT OFF BUTTON	1
7	ELC100482	WIRE HARNESS MAIN, FLAT	1
8	ELC100509	FALCON CONTROLLER, WIFI	1
9	ELC100532	MM-20 PROXIMITY MAGNET	1
10	ELC100533	PROXIMITY SWITCH ASSEMBLY	3
11	ELC100827	LIGHT, LED OVAL RED LSTL72RB	2
12	ELC100828	LIGHT, OVAL LED AMBER LSTL72AB	2
13	KIT100520	MERLIN SCALE CONTROLLER KIT	1



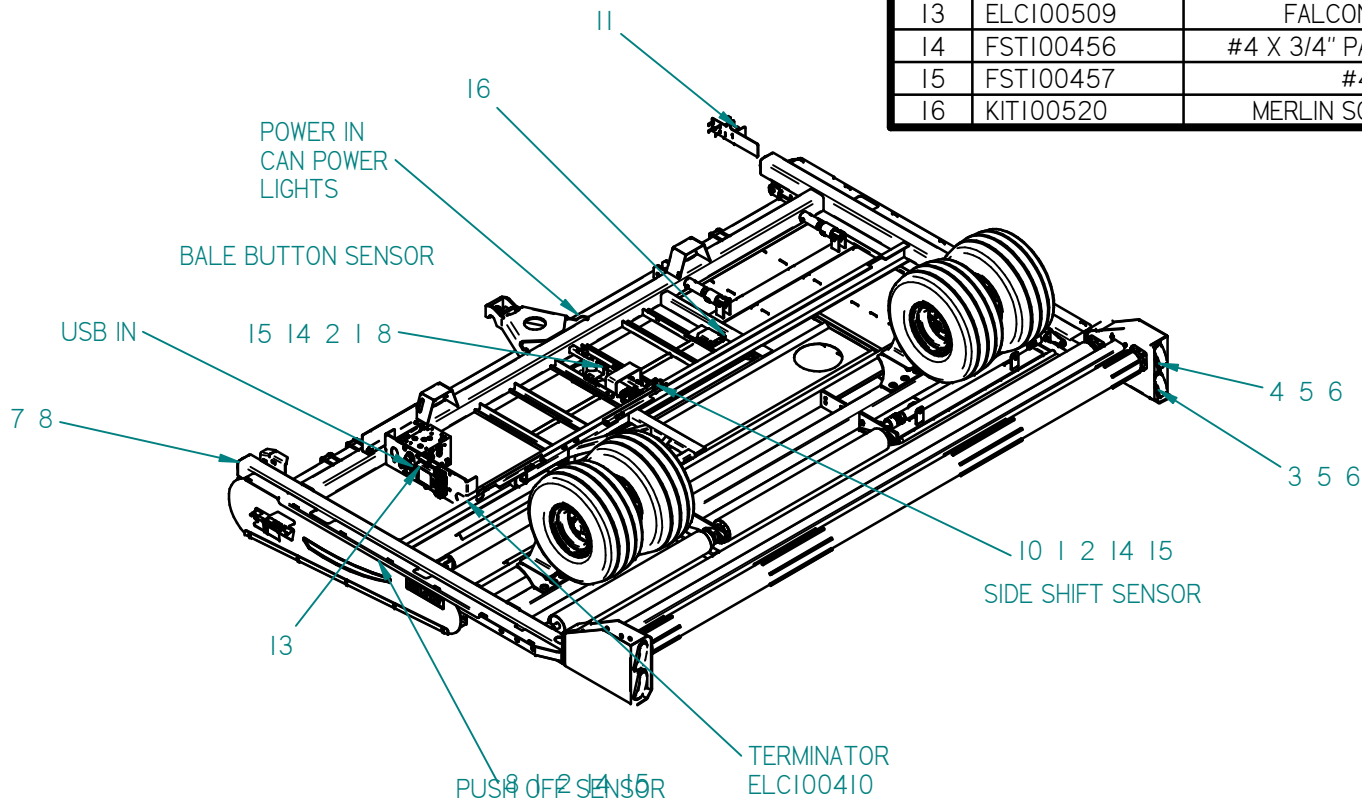
AC3108/4108

ELECTRICAL CONTROL SYSTEM

WHG100564S

SERIAL # BA42372 AND UNDER

ITEM	PART NO.	DESCRIPTION	QTY
1	CMP100309	RING MAGNET R622	1
2	CMP100311	NYLON WASHER	1
3	ELC100109	LIGHT, OVAL AMBER	4
4	ELC100182	LIGHT, OVAL RED GRO 52892	4
5	ELC100183	LIGHT, OVAL GROMMET 92420	4
6	ELC100184	LIGHT, OVAL 3 PIN PIGTAIL 67000	4
7	ELC100331	LIGHT, ROUND AMBER 13 LED 2 1/2"- 3C4	2
8	ELC100332	LIGHT, OPEN GROMMET 2 1/2"- 3D2	2
9	ELC100403	DIAGNOSTIC CABLE ASSEMBLY	1
10	ELC100477	PROXIMITY SENSOR ASSEMBLY	3
11	ELC100480	SAFETY SHUT OFF BUTTON	1
12	ELC100482	WIRE HARNESS MAIN, FLAT	1
13	ELC100509	FALCON CONTROLLER, WIFI	1
14	FST100456	#4 X 3/4" PAN HEAD MACHINE SCREW	1
15	FST100457	#4 NYLOCK NUT	1
16	KIT100520	MERLIN SCALE CONTROLLER KIT	1



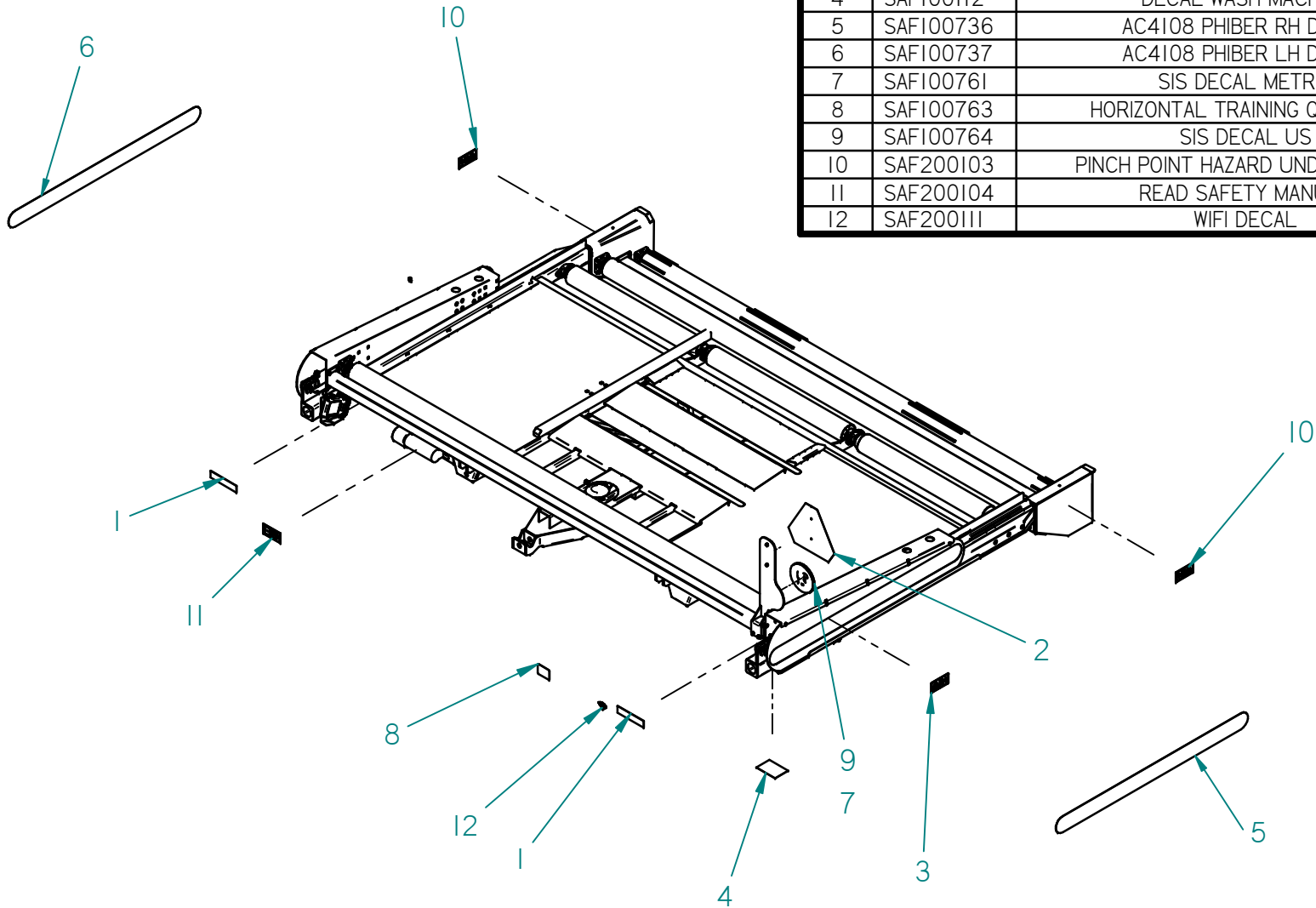
AC3108/4108

DECALS

WHGI00564

SERIAL # BA42373 AND OVER

Item	Part NO.	Description	QTY
1	CMP100128	CONSPICUITY TAPE AMBER 2" X 9"	4
2	CMP100171	SLOW MOVING VEHICLE (SMV) SIGN	1
3	SAF100101	PINCH POINT HAZARD UNDER LIFT IN	2
4	SAF100112	DECAL WASH MACHINE	1
5	SAF100736	AC4108 PHIBER RH DECAL	1
6	SAF100737	AC4108 PHIBER LH DECAL	1
7	SAF100761	SIS DECAL METRIC	1
8	SAF100763	HORIZONTAL TRAINING QR DECAL	1
9	SAF100764	SIS DECAL US	1
10	SAF200103	PINCH POINT HAZARD UNDER LIFT IN	2
11	SAF200104	READ SAFETY MANUAL	1
12	SAF200111	WIFI DECAL	1



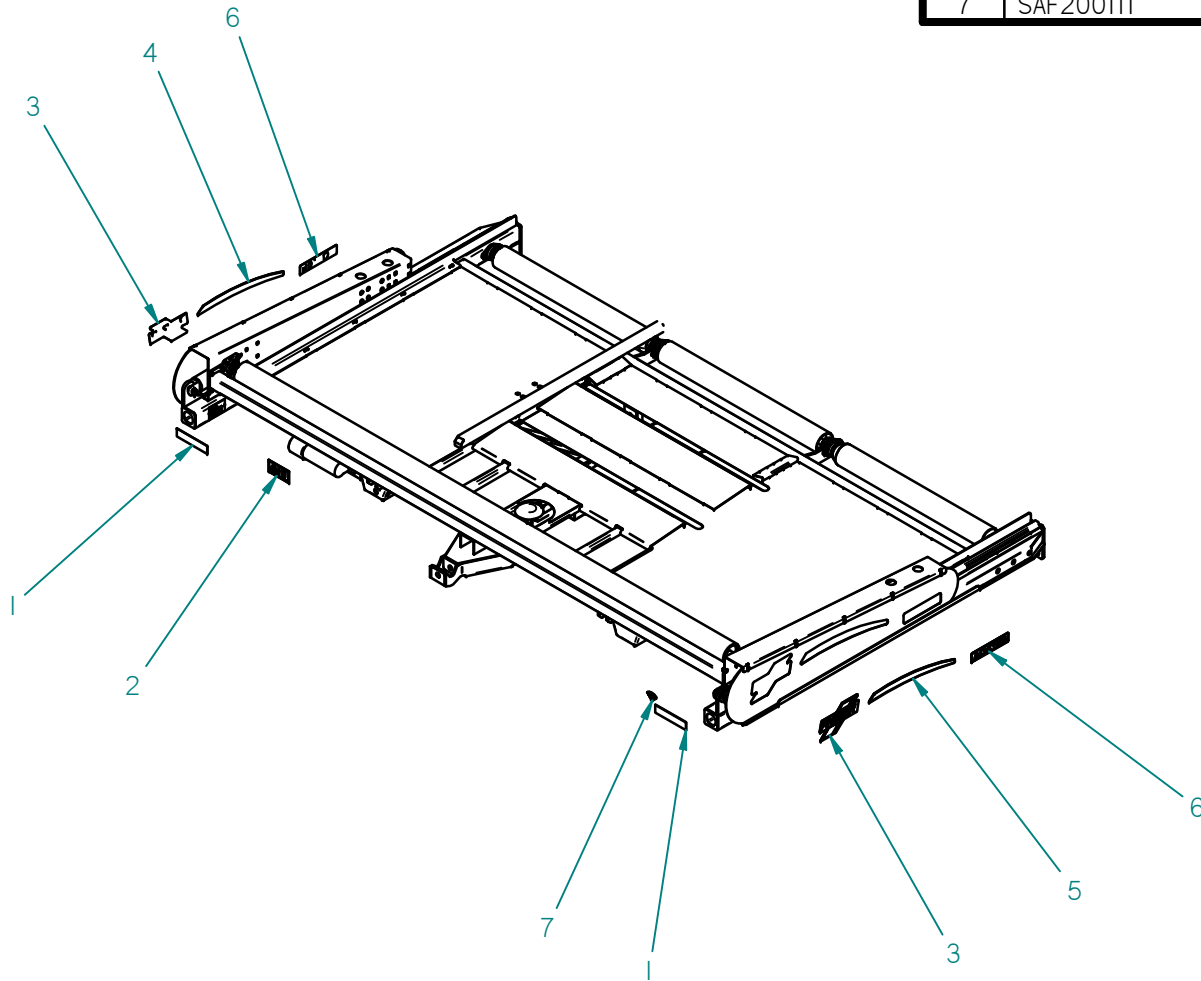
AC3108/4108

DECALS

ASMI00806

SERIAL # BA42372 AND UNDER

ITEM	PART NO.	DESCRIPTION	QTY
1	CMPI00128	CONSPICUITY TAPE - AMBER	2
2	SAF100104	DECAL EMERGENCY SHUT OFF	1
3	SAF100105	PHIBER LOGO 6.75" X 11.75"	2
4	SAF100106	SWISH #1 2.9" X 25.6"	1
5	SAF100107	SWISH #1 2.9" X 25.6"	1
6	SAF100109	DECAL AC4108 2.3" X 10.75"	2
7	SAF200111	WIFI DECAL	1



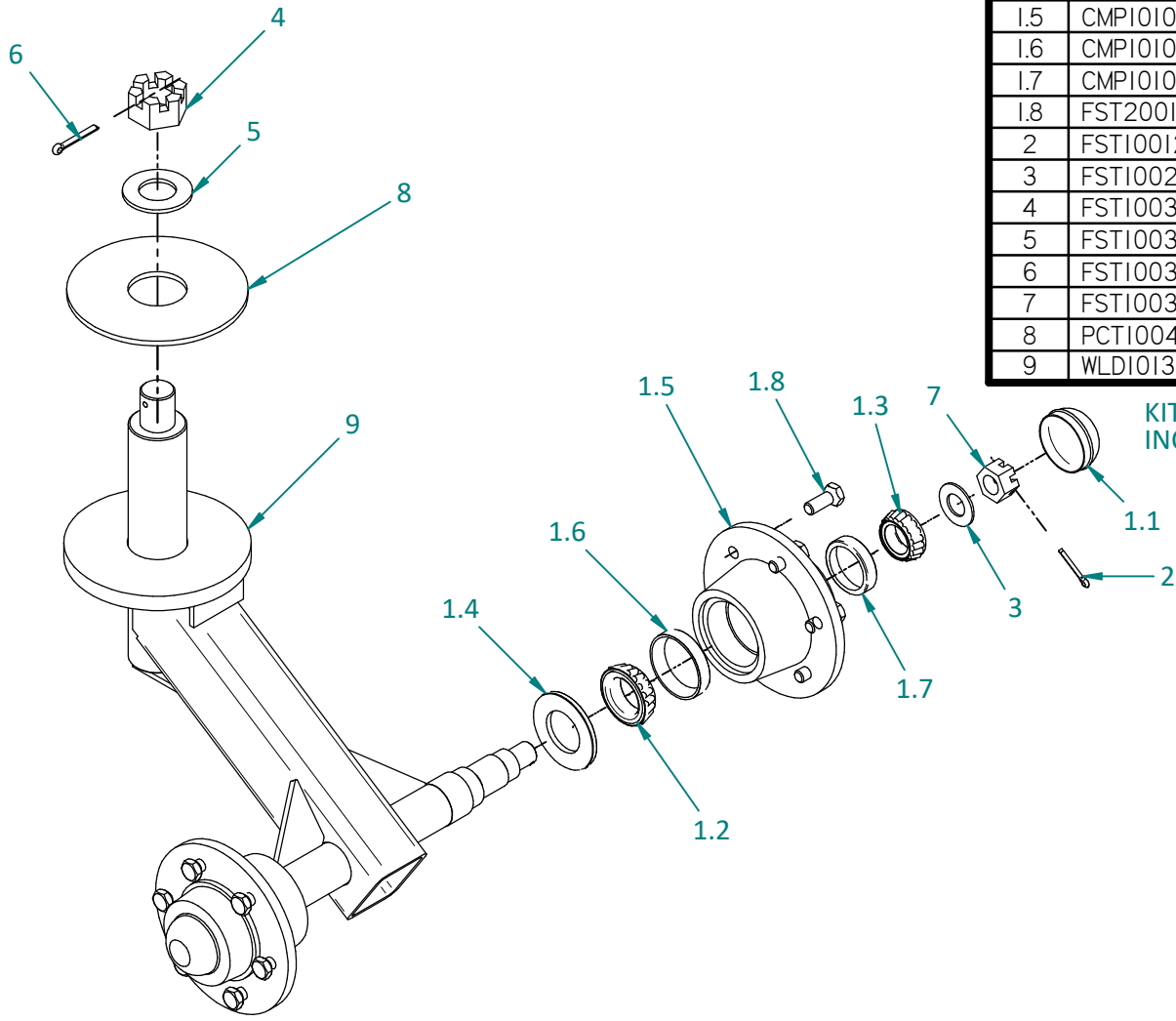
AC3108/4108

CASTER ARM (LOW) ASSEMBLY 614

ASMI01085

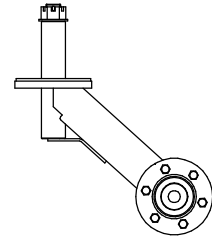
SERIAL # PHB04108HP0002478 AND OVER

ITEM	PART NO.	DESCRIPTION	QTY
1	CMPI01004	HA614 HUB	2
1.1	CMPI01005	DUST CAP DC15	1
1.2	CMPI01006	BEARING, HA614 HUB INNER LM603049	1
1.3	CMPI01007	BEARING, HA614 HUB OUTER, LM48548	1
1.4	CMPI01008	GREASE SEAL, SE-16	1
1.5	CMPI01009	HOUSING, H614	1
1.6	CMPI01031	RACE, HA614 HUB INNER LM603011	1
1.7	CMPI01032	RACE, HA614 OUTER, LM48510	1
1.8	FST200123	9/16" X 1 1/4" NF WHEEL BOLT	6
2	FST100127	3/16" X 1 1/2" COTTER PIN	2
3	FST100221	1" SAE FLAT WASHER	2
4	FST100312	1 1/2" CASTLE NUT UNF	1
5	FST100313	1 1/2" HARDENED WASHER	1
6	FST100314	1/4" X 2" COTTER PIN	1
7	FST100330	1" CASTLE NUT 14 UNC	2
8	PCT100407	CASTER WASHER, CASTER ASSEMBLY (GEN III)	1
9	WLDI01340	614 CASTER ARM LOW (GEN III)	1

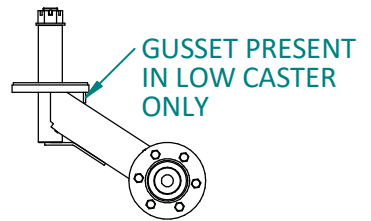


KIT100577: HA614 HUB REBUILD KIT
INCLUDES ITEM 1.2, 1.3, 1.4, 1.6, 1.7

TALL CASTER
ASM101082



LOW CASTER
ASM101085

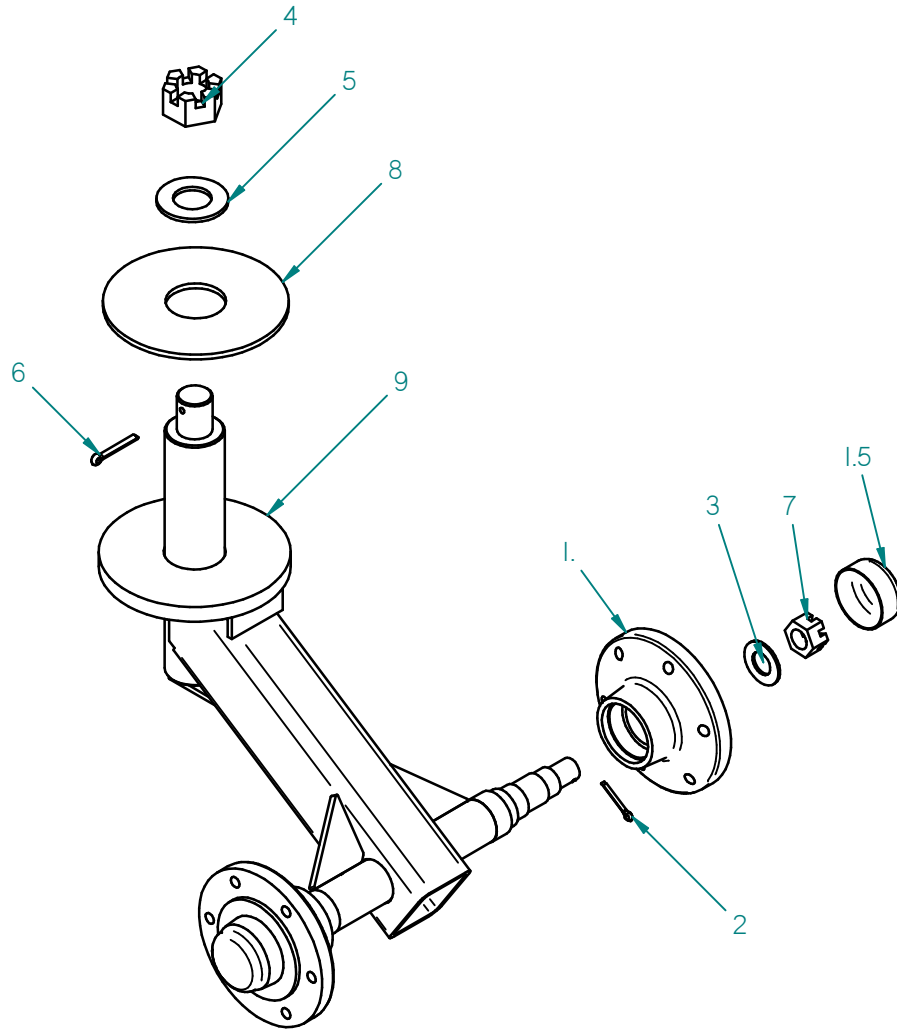


AC3108/4108

CASTER ARM (LOW) ASSEMBLY

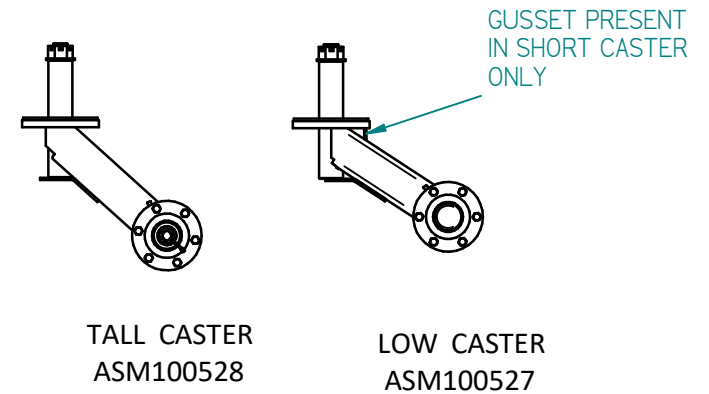
ASM100527

SERIAL # PHB04108EN0002477 AND UNDER



ITEM	PART NO.	DESCRIPTION	QTY
1	CMPI00144	HUB HA611-9	2
1.1	CMPI00264	BEARING, HA611 HUB OUTER 67048	1
1.2	CMPI00265	BEARING, HA611 HUB INNER 29749	1
1.3	CMPI00266	RACE, HA611 OUTER CUP 67010	1
1.4	CMPI00267	RACE, HA611 INNER CUP 29710	1
1.5	CMPI00268	DUST CAP, HA611 HUB	1
1.6	CMPI00269	GREASE SEAL, HA611 HUB	1
1.7	FST100123	1/2" X 1 1/4" FINE THREAD IMPERIAL LUG	6
2	FST100127	3/16" X 1 1/2" COTTER PIN	2
3	FST100221	1" SAE FLAT WASHER	2
4	FST100312	1 1/2" CASTLE NUT UNF	1
5	FST100313	1 1/2" HARDENED WASHER	1
6	FST100314	1/4" X 2" COTTER PIN	1
7	FST100330	1" CASTLE NUT 14 UNC	2
8	PCT100407	CASTER WASHER, CASTER ASSEMBLY	1
9	WLD100527	CASTER ARM (GEN III)	1

KIT100578: HA611 HUB REBUILD KIT
INCLUDES ITEM 1.1, 1.2, 1.3, 1.4, 1.6



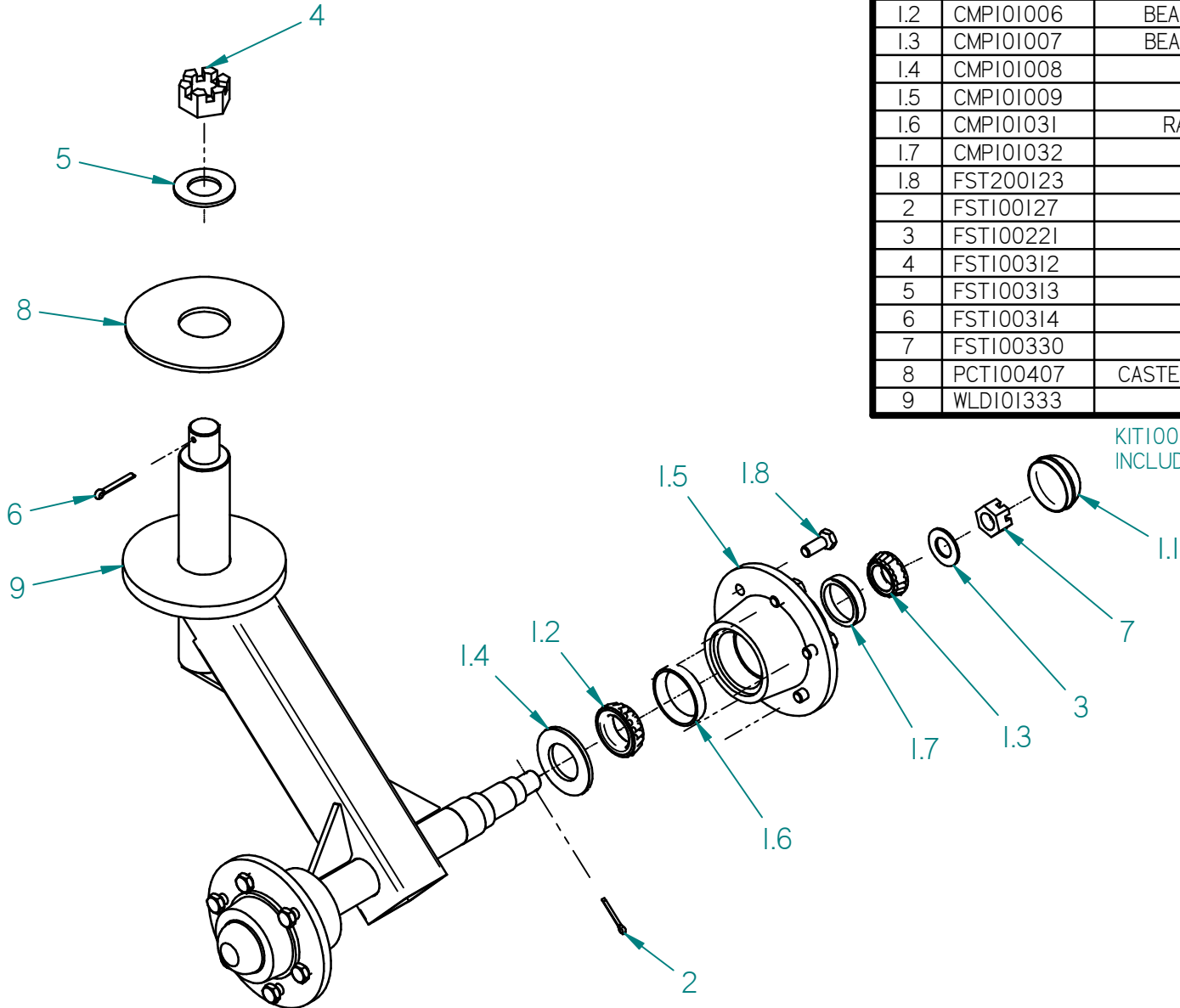
AC3108/4108

CASTER ARM (TALL) ASSEMBLY 614

ASMI01082

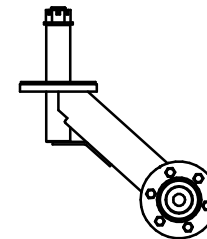
SERIAL # PHB04108HP0002478 AND OVER

ITEM	PART NO.	DESCRIPTION	QTY
1	CMP101004	HA614 HUB	2
1.1	CMP101005	DUST CAP DC15	1
1.2	CMP101006	BEARING, HA614 HUB INNER LM603049	1
1.3	CMP101007	BEARING, HA614 HUB OUTER, LM48548	1
1.4	CMP101008	GREASE SEAL, SE-16	1
1.5	CMP101009	HOUSING, H614	1
1.6	CMP101031	RACE, HA614 HUB INNER LM603011	1
1.7	CMP101032	RACE, HA614 OUTER, LM48510	1
1.8	FST200123	9/16" X 1 1/4" NF WHEEL BOLT	6
2	FST100127	3/16" X 1 1/2" COTTER PIN	2
3	FST100221	1" SAE FLAT WASHER	2
4	FST100312	1 1/2" CASTLE NUT UNF	1
5	FST100313	1 1/2" HARDENED WASHER	1
6	FST100314	1/4" X 2" COTTER PIN	1
7	FST100330	1" CASTLE NUT 14 UNC	2
8	PCT100407	CASTER WASHER, CASTER ASSEMBLY (GEN III)	1
9	WLDI01333	614 CASTER ARM (GEN III)	1

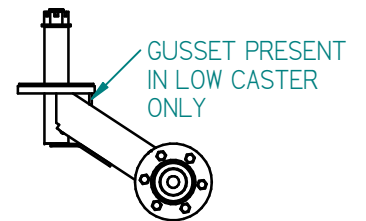


KIT100577: HA614 HUB REBUILD KIT
INCLUDES ITEM 1.2, 1.3, 1.4, 1.6, 1.7

TALL CASTER
ASMI01082



LOW CASTER
ASMI01085



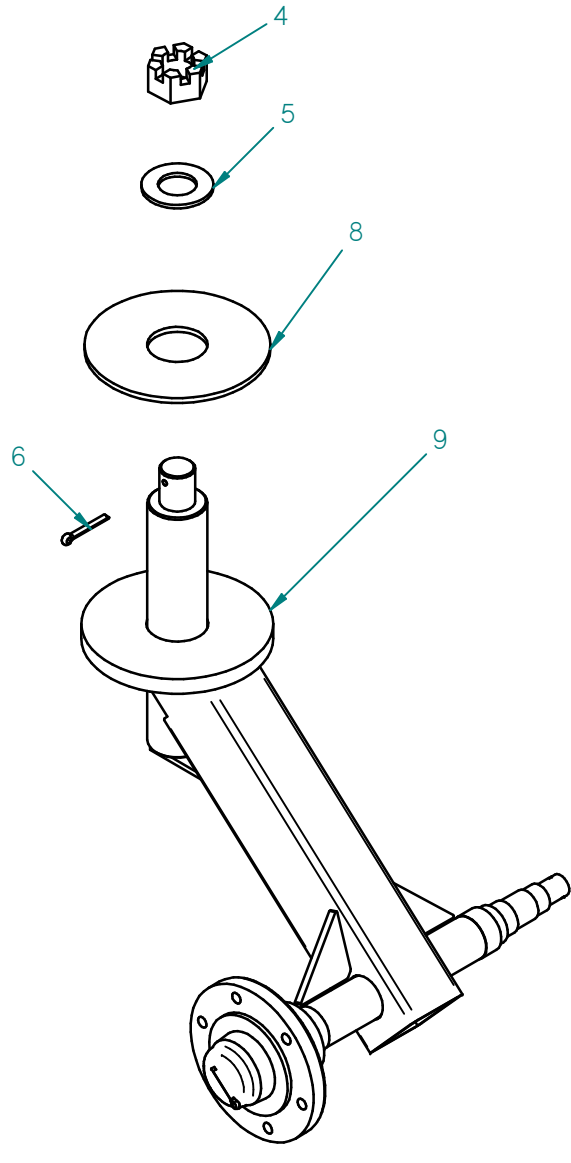
AC3108/4108

CASTER ARM (TALL) ASSEMBLY

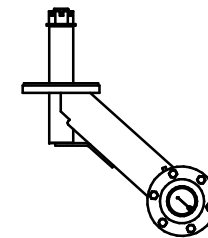
ASM100528

SERIAL # PHB04108EN0002477 AND UNDER

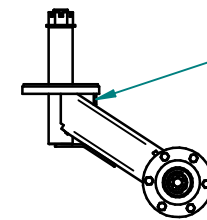
ITEM	PART NO.	DESCRIPTION	QTY
1	CMPI00144	HUB HA611-9	2
1.1	CMPI00264	BEARING, HA611 HUB OUTER 67048	1
1.2	CMPI00265	BEARING, HA611 HUB INNER 29749	1
1.3	CMPI00266	RACE, HA611 OUTER CUP 67010	1
1.4	CMPI00267	RACE, HA611 INNER CUP 29710	1
1.5	CMPI00268	DUST CAP, HA611 HUB	1
1.6	CMPI00269	GREASE SEAL, HA611 HUB	1
1.7	FSTI00123	1/2" X 1 1/4" FINE THREAD IMPERIAL	6
2	FSTI00127	3/16" X 1 1/2" COTTER PIN	2
3	FSTI00221	1" SAE FLAT WASHER	2
4	FSTI00312	1 1/2" CASTLE NUT UNF	1
5	FSTI00313	1 1/2" HARDENED WASHER	1
6	FSTI00314	1/4" x 2" COTTER PIN	1
7	FSTI00330	1" CASTLE NUT 14 UNC	2
8	PCTI00407	CASTER WASHER, CASTER ASSEMBLY	1
9	WLDI00539	CASTER ARM (GEN III)	1



KIT100578: HA611 HUB REBUILD KIT
INCLUDES ITEM 1.1, 1.2, 1.3, 1.4, 1.6



TALL CASTER
ASM100528



LOW CASTER
ASM100527

This page is intentionally left blank

This page is intentionally left blank



PhiBer Manufacturing Inc.
Box 58 Crystal City, MB
R0K 0N0 Canada