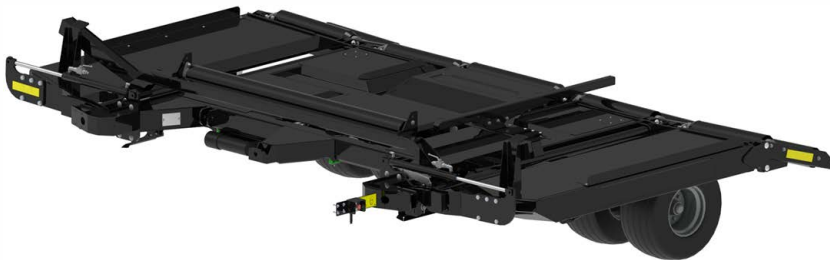


PhiBer Big Bale Accumulator



Models: AC5130, AC5150



INNOVATIONS FOR PROGRESSIVE PEOPLE

PARTS MANUAL

www.phiber.ca

This page is intentionally left blank

AC5150 FOLDING ACCUMULATOR1

AC5150 MAIN FRAME..... 2-4

AC5150 WING TAILPIECES 5-6

AC5150 WINGS 7-8

AC5150 PUSH OFF SLIDERS..... 9-10

AC5130 FOLDING ACCUMULATOR11

AC5130 MAIN FRAME..... 12-14

AC5130 WINGS 15-16

AC5130 WING TAILPIECES 17-18

AC5130 PUSHOFF SLIDERS 19-20

AC51 SERIES PUSH OFF ASSEMBLY21

AC51 SERIES SCALE DECK.....22

AC51 SERIES CENTER TAILPIECE23

AC51 SERIES CASTER ASSEMBLY..... 24-25

AC51 SERIES SCALE KIT26

AC51 SERIES BALEAGE KIT27

AC51 SERIES HOSE KIT 28-29

HYDRAULIC VALVE BLOCK30

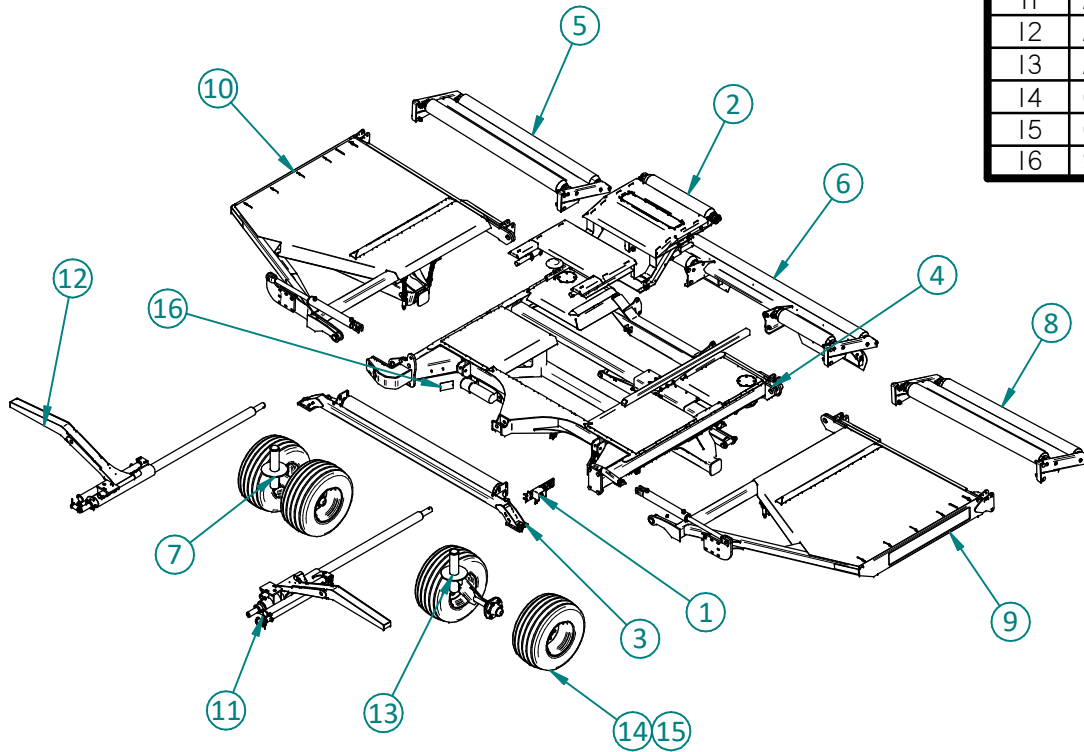
DECALS.....31

ELECTRICAL CONTROL SYSTEM.....32

AC5150

AC5150 ACCUMULATOR

WHG101003



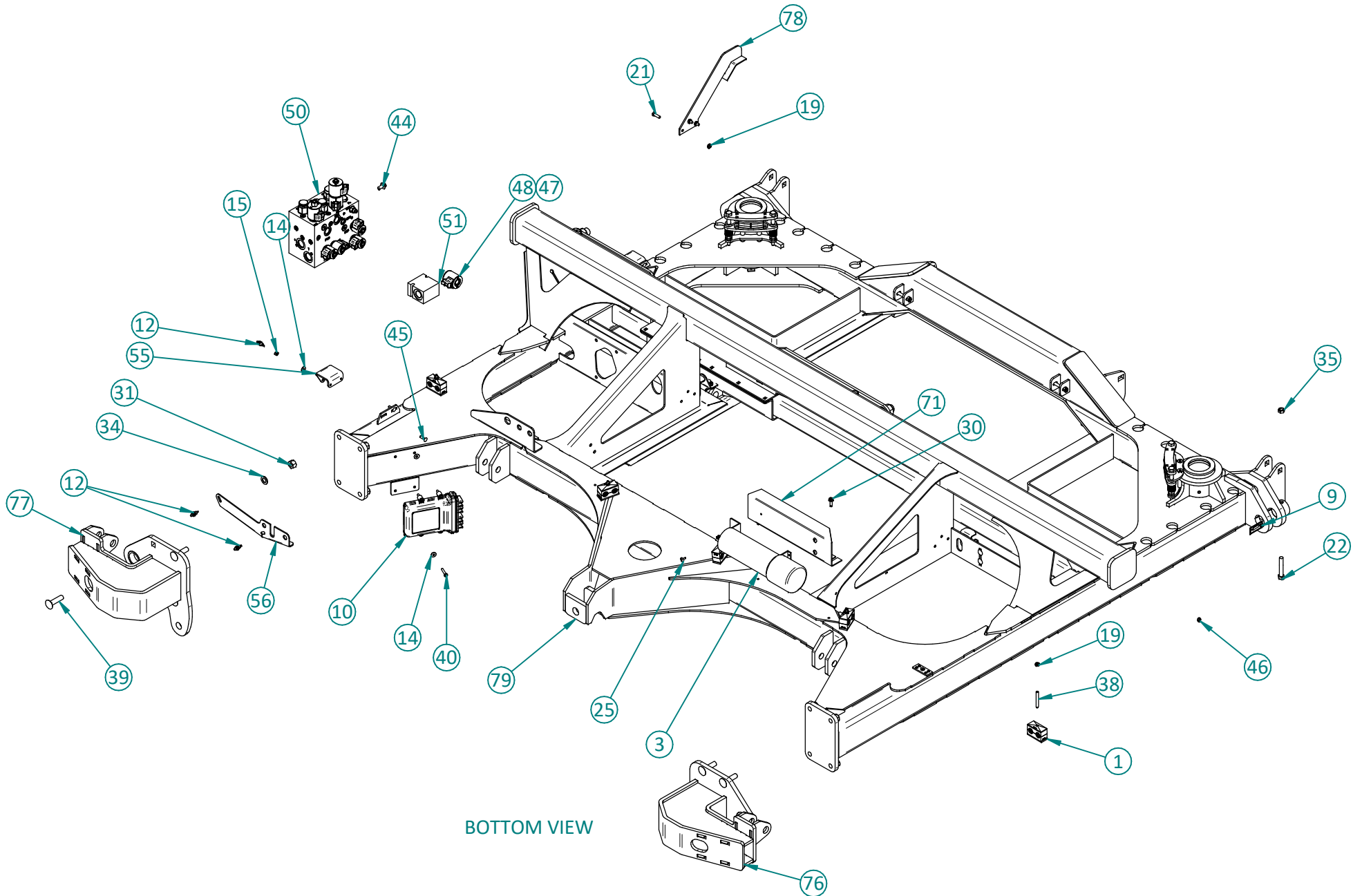
ITEM	PART NO.	DESCRIPTION	QTY
1	ASMI00809	EMERGENCY SHUT OFF ASSEMBLY	1
2	ASMI01034	SCALE DECK ASSEMBLY	1
3	ASMI01046	PUSH OFF ASSY	1
4	ASMI01047	FOLDING FLAT MAIN FRAME ASSY	1
5	ASMI01048	WIDE WING TAILPIECE ASSY RH	1
6	ASMI01049	CENTER TAILPIECE ASSY	1
7	ASMI01052	CASTER ASSEMBLY 618	2
8	ASMI01054	WIDE WING TAILPIECE ASSY LH	1
9	ASMI01055	WIDE WING ASSY LH	1
10	ASMI01056	WIDE WING ASSY RH	1
11	ASMI01057	PUSH OFF SLIDER LH	1
12	ASMI01058	PUSH OFF SLIDER RH	1
13	ASMI01083	TALL 618 CASTER ASSEMBLY	2
14	CMPI01115	TIRE 26 x 12 x 12 NHS 12PLY ON 2800LB YELLOW	4
15	CMPI01140	TIRE 26 x 12 x 12 12PLY ON 2800LB GREY	4
16	SAFI00200	FLAT ACCUMULATOR SERIAL PLATE	1

OPTIONS	
PART NO.	DESCRIPTION
<u>WHEELS</u>	
CMPI01102	TIRE 26 x 12 x 12 NHS 12 PLY FFS TL
CMPI00861	WHEEL 12 X 10.5 X 6 2800LB YELLOW
CMPI01141	WHEEL 12 X 10.5 X 6 2800LB GREY
<u>DECALS</u>	
SAFI00754	AC5150 DECAL LH
SAFI00755	AC5150 DECAL RH

AC5150

FOLDING FLAT MAIN FRAME ASSY

ASM101047



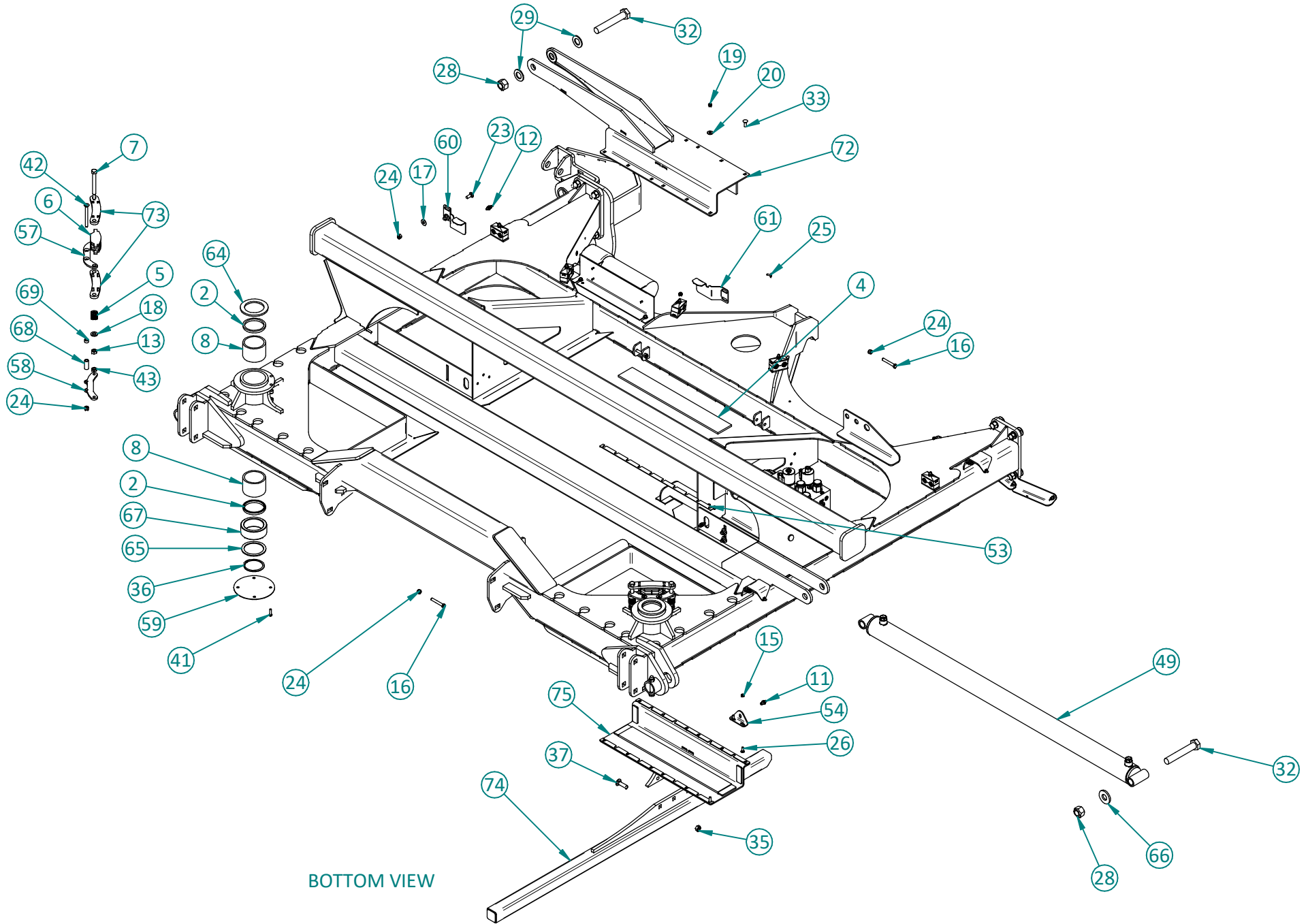
AC5150**FOLDING FLAT MAIN FRAME ASSY****ASM101047**

ITEM	PART NO.	DESCRIPTION	QTY	ITEM	PART NO.	DESCRIPTION	QTY
40	FSTI00461	1/4" X 1 1/2" BLACK PAN HEAD	4	1	CMPI00280	HOSE CLAMP DOUBLE 1/2"	5
41	FSTI00739	1/4 X 1 HEX DRIVE BUTTON SOCKET	8	2	CMPI00307	GREASE SEAL	4
42	FSTI00752	3/8" X 4 FLAT HEAD CAP SCREW	4	3	CMPI00313	MANUAL CANISTER	1
43	FSTI00754	1/2" JAM NUT	4	4	CMPI01020	SIDE SHIFT SLIDER	4
44	FSTI00799	M10 - 1.5 X 20 SERRATED FLANGE	4	5	CMPI01022	DIE SPRING 1" OD X 1/2" ID X 1" OAL	4
45	FSTI00895	1/4" X 1" CARRIAGE BOLT	4	6	CMPI01054	BRAKE PAD	4
46	HYDI00266	GREASE ZERK 1/8" -27 PIPE (NPT)	2	7	CMPI01055	BRAKE PAD RETAINING BOLT	4
47	HYDI00595	HYDRAFORCE SOLENOID VALVE SV12	1	8	CMP200602	GARFIL BUSHING 3.5" OD X .250" X	4
48	HYDI00598	HYDRAFORCE COIL 4303712	1	9	CMP500066	DECAL GREASE	2
49	HYDI00820	CYL 2.75 X 52.00 X 1.50	1	10	ELCI00509	FALCON CONTROLLER, WIFI	1
50	HYDI00868	VALVE BLOCK FOLDING ACC	1	11	ELCI00532	MM-20 PROXIMITY MAGNET	1
51	HYDI00973	12-SAE TWO WAY VALVE BODY	1	12	ELCI00533	PROXIMITY SWITCH ASSEMBLY	6
52	HYDI00997	ST ADAPTER .156" ORIFICE 10 MORB	2	13	FSTI00107	1/2" NUT	4
53	PCTI01285	SIDE SHIFT SHIM	4	14	FSTI00134	1/4" FLAT WASHER	10
54	PCTI01311	SIDE SHIFT MAGNET MOUNT	1	15	FSTI00135	1/4" LOCK NUT	6
55	PCTI01314	PUSHOFF SENSOR MOUNT	2	16	FSTI00144	3/8" X 2 1/2" CAP SCREW	4
56	PCTI01318	WING SENSOR TRIGGER	1	17	FSTI00150	3/8" FLAT WASHER	4
57	PCTI01383	SPRING MOUNT PLATE	2	18	FSTI00151	1/2" FLAT WASHER HARDENED	4
58	PCTI01384	SPRING MOUNT PLATE	2	19	FSTI00173	5/16" LOCK NUT	20
59	PCTI01437	CASTER COVER KNOCKOUT	1	20	FSTI00174	5/16" FLAT WASHER	13
60	PCTI01510	SHORT SIDE SHIFT SENSOR MOUNT	1	21	FSTI00176	5/16" X 1" CAP SCREW	3
61	PCTI01511	SHORT SIDE SHIFT SENSOR MOUNT	1	22	FSTI00193	1/2" x 3" BOLT	2
62	PCTI01684	MASTER CYL HOSE CLAMP	2	23	FSTI00199	3/8" x 1" CARRIAGE BOLT	4
63	PCTI01999	TAILPIECE SHIM	2	24	FSTI00206	3/8" LOCKNUT	13
64	PCT200703	CASTER WASHER	2	25	FSTI00228	POP RIVET STEEL 3/16 X 1/2 X 5/8	5
65	PCT200705	CASTER WASHER	2	26	FSTI00233	1/4" X 3/4" CARRIAGE BOLT	2
66	PCT200835	THICKENING RING 1"	1	27	FSTI00241	3/8" X 1 1/4" CAP SCREW	1
67	SAWI01065	CASTER SPACER	2	28	FSTI00245	1" LOCKNUT	2
68	SAWI01132	BRAKE SPACER	4	29	FSTI00262	1" HARDENED WASHER F436	5
69	SAWI01133	SHORT BRAKE SPACER	8	30	FSTI00263	5/16" x 1" SELF TAP	2
70	SAW500107	5/16 X 4 STUD	2	31	FSTI00278	5/8" CRIMP NUT	8
71	STMI00423	ACCUMULATOR MUD SHIELD	1	32	FSTI00307	1" X 6" CAP SCREW	2
72	WLDI01161	SIDE SHIFT BOTTOM WELDMENT	1	33	FSTI00344	5/16" x 1" CARRIAGE BOLT	12
73	WLDI01170	BRAKE PAD STOP	4	34	FSTI00349	5/8" HARDENED WASHER	8
74	WLDI01215	SIDE SHIFT BAR WELDMENT	1	35	FSTI00356	1/2" CRIMP NUT	5
75	WLDI01216	SIDE SHIFT TOP WELDMENT	1	36	FSTI00406	SNAP RING EXTERNAL 3.000	2
76	WLDI01235	CYL MOUNT WLDT RH	1	37	FSTI00429	1/2" X 1 3/4" CARRIAGE BOLT	3
77	WLDI01237	CYL MOUNT WLDT LH	1	38	FSTI00430	5/16" X 2 1/2" SOCKET HEAD SET	4
78	WLDI01260	SIDE SHIFT CYLINDER SUPPORT	1	39	FSTI00458	5/8" X 2 1/2" CARRIAGE BOLT GR8	8
79	WLDI01282	FOLDING FLAT MAIN FRAME	1				

AC5150

FOLDING FLAT MAIN FRAME ASSY

ASM101047

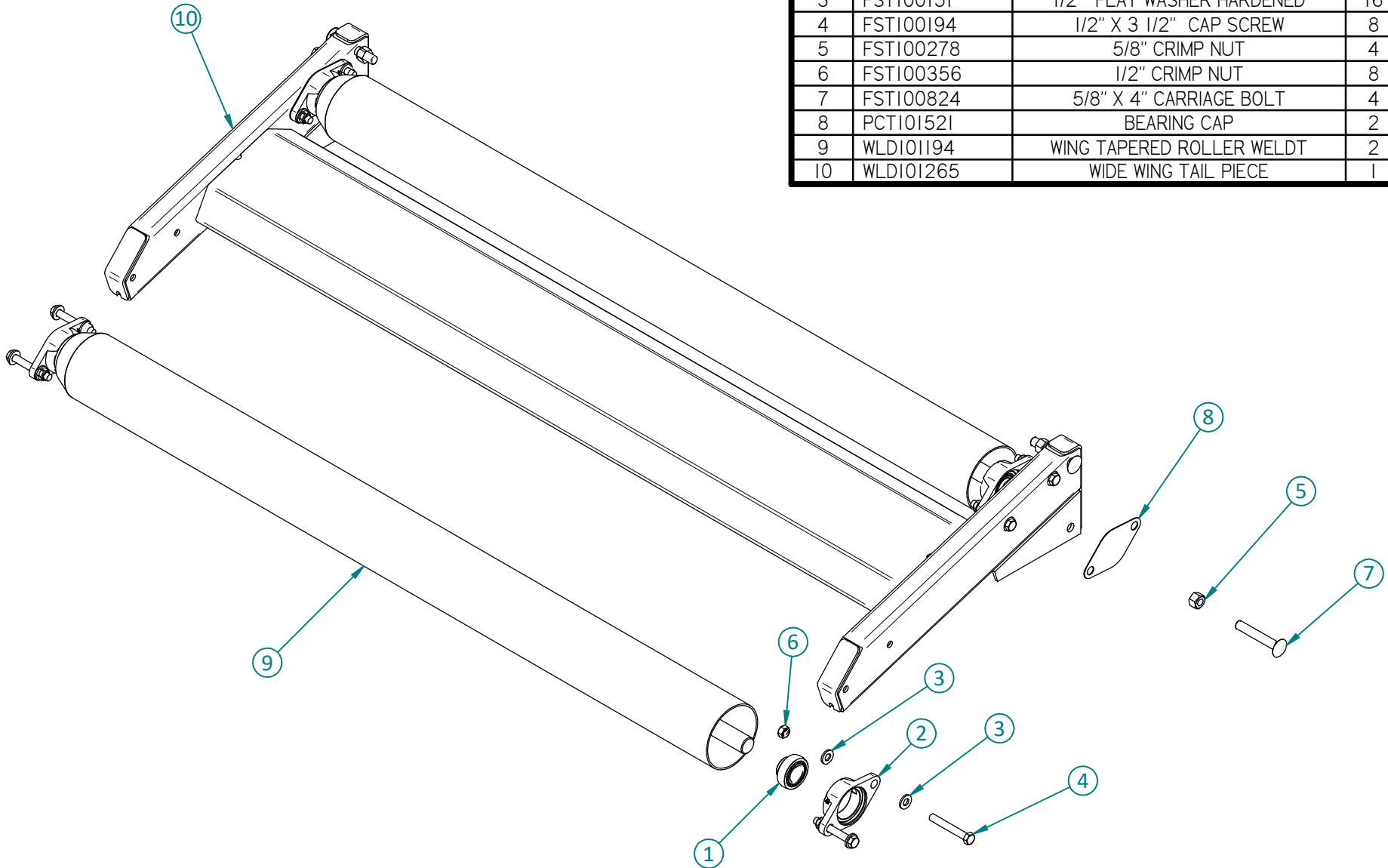


AC5150

WIDE WING TAILPIECE ASSY RH

ASM101048

ITEM	PART NO.	DESCRIPTION	QTY
1	CMPI00109	BEARING YET 206-104	4
2	CMPI00169	FL206 2-BOLT HOUSING	4
3	FST100151	1/2" FLAT WASHER HARDENED	16
4	FST100194	1/2" X 3 1/2" CAP SCREW	8
5	FST100278	5/8" CRIMP NUT	4
6	FST100356	1/2" CRIMP NUT	8
7	FST100824	5/8" X 4" CARRIAGE BOLT	4
8	PCT101521	BEARING CAP	2
9	WLDI01194	WING TAPERED ROLLER WELDT	2
10	WLDI01265	WIDE WING TAIL PIECE	1

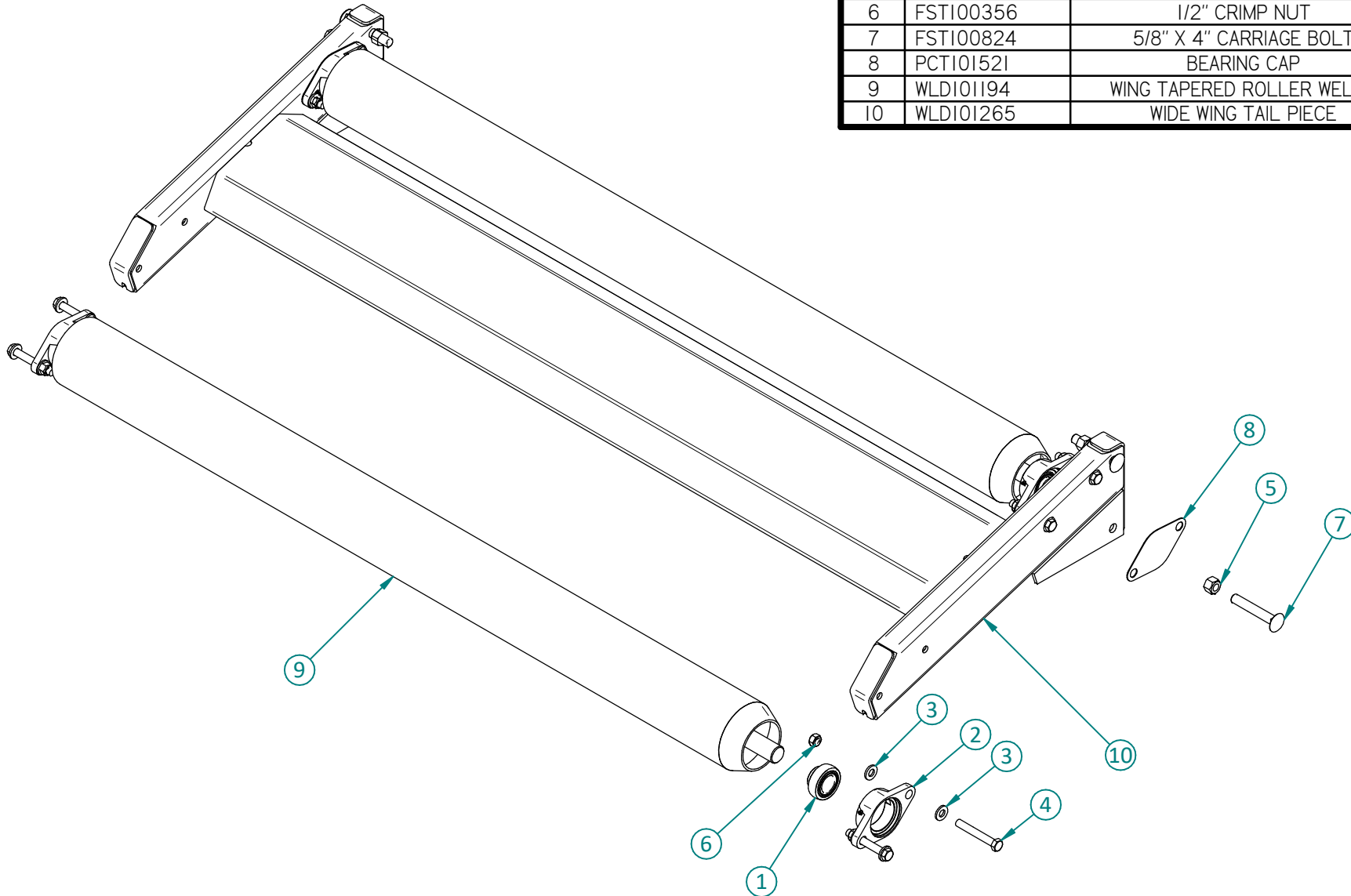


AC5150

WIDE WING TAILPIECE ASSY LH

ASM101054

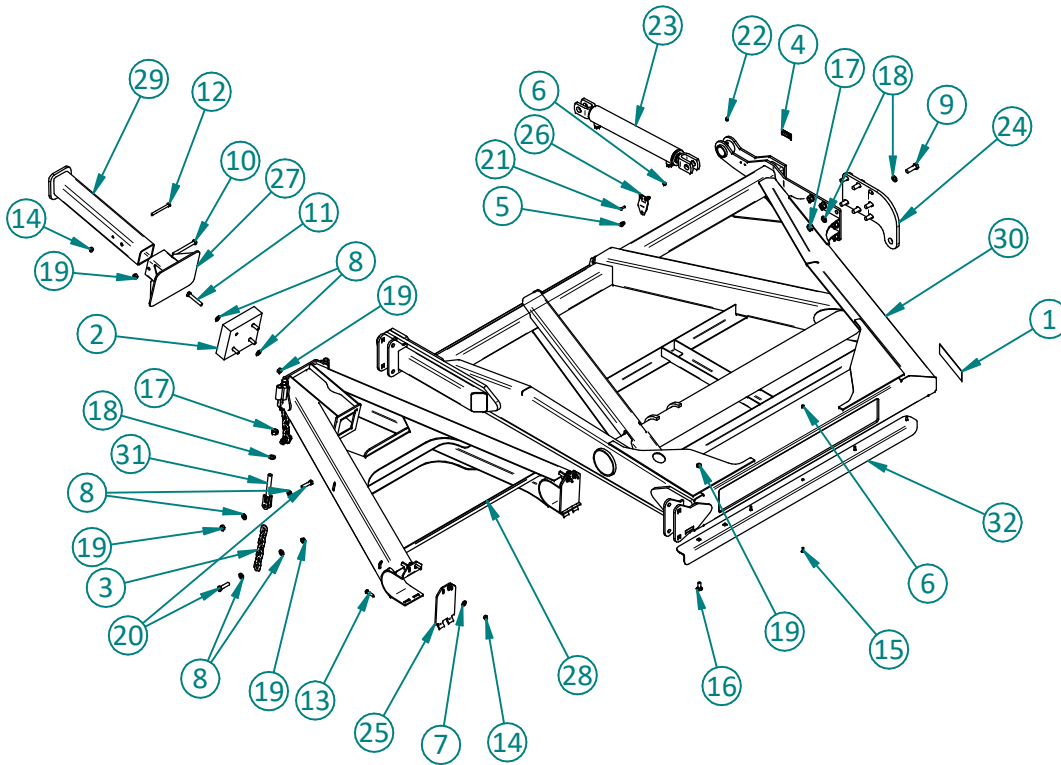
ITEM	PART NO.	DESCRIPTION	QTY
1	CMP100109	BEARING YET 206-104	4
2	CMP100169	FL206 2-BOLT HOUSING	4
3	FST100151	1/2" FLAT WASHER HARDENED	16
4	FST100194	1/2" X 3 1/2" CAP SCREW	8
5	FST100278	5/8" CRIMP NUT	4
6	FST100356	1/2" CRIMP NUT	8
7	FST100824	5/8" X 4" CARRIAGE BOLT	4
8	PCT101521	BEARING CAP	2
9	WLD101194	WING TAPERED ROLLER WELDT	2
10	WLD101265	WIDE WING TAIL PIECE	1



AC5150

WIDE WING ASSY LH

ASM101055



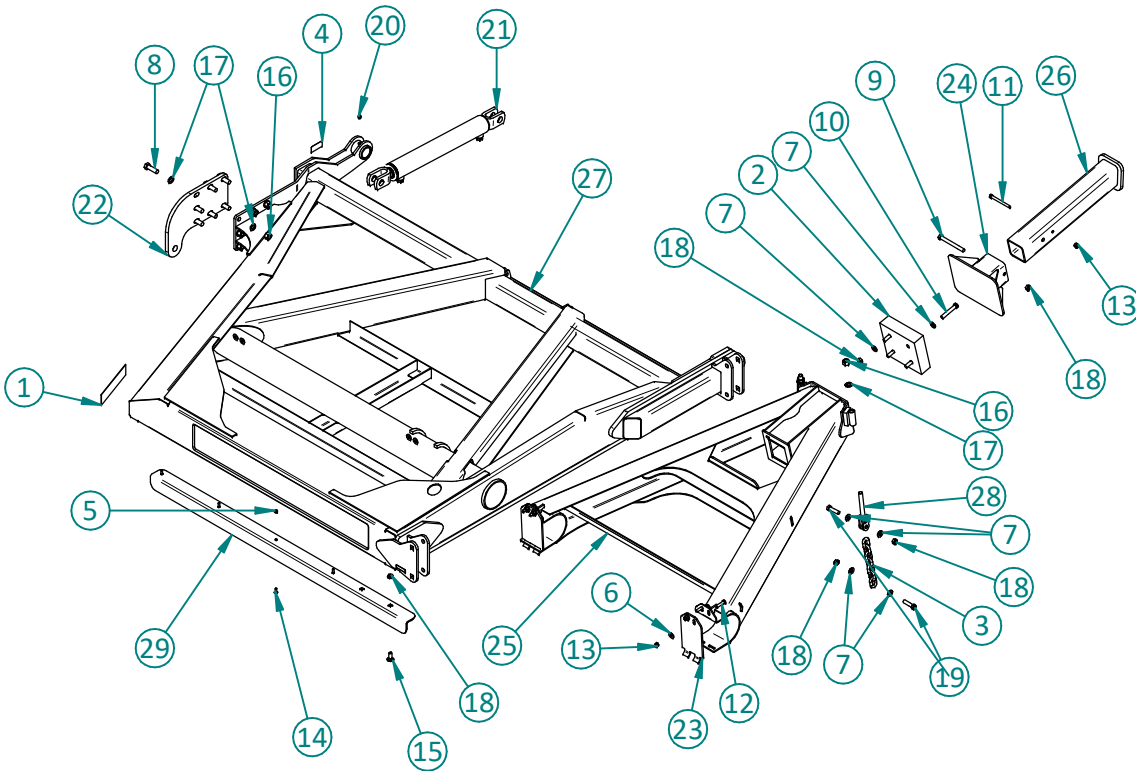
BOTTOM VIEW

ITEM	PART NO.	DESCRIPTION	QTY
1	CMP100128	CONSPICUITY TAPE AMBER 2" X 9"	1
2	CMP101086	WING STOP	1
3	CMP101092	HEIGHT ADJ CHAIN	2
4	CMP500066	DECAL GREASE	1
5	ELCI00532	MM-20 PROXIMITY MAGNET	1
6	FSTI00135	1/4" LOCK NUT	6
7	FSTI00150	3/8" FLAT WASHER	8
8	FSTI00151	1/2" FLAT WASHER HARDENED	16
9	FSTI00185	5/8" X 2" CAP SCREW	7
10	FSTI00188	1/2" X 5" CAP SCREW	1
11	FSTI00193	1/2" X 3" BOLT	4
12	FSTI00200	3/8" X 4" CAP SCREW	1
13	FSTI00201	3/8" X 1 1/2" CAP SCREW	4
14	FSTI00206	3/8" LOCKNUT	5
15	FSTI00233	1/4" X 3/4" CARRIAGE BOLT	4
16	FSTI00235	1/2" X 1 1/4" CARRIAGE BOLT	2
17	FSTI00278	5/8" CRIMP NUT	9
18	FSTI00349	5/8" HARDENED WASHER	16
19	FSTI00356	1/2" CRIMP NUT	11
20	FSTI00420	1/2" X 2" CAP SCREW GRADE 8	4
21	FSTI00895	1/4" X 1" CARRIAGE BOLT	2
22	HYDI00266	GREASE ZERK 1/8" -27 PIPE (NPT)	1
23	HYDI00940	CYL 2.5 X 16 (HYS25FEMI6-90)	1
24	PCTI01486	WING CYL LUG	1
25	PCTI01846	TUBE CLAMP	2
26	PCTI01963	WING MAGNET MOUNT	1
27	WLDI01281	STOP PLATE WLDT	1
28	WLDI01283	A-FRAME WELDT	1
29	WLDI01284	STOP TUBE WELDT	1
30	WLDI01293	WIDE WING WLDT LH	1
31	WLDI01297	CHAIN ADJUST WLDT	2
32	WLDI01320	WING BALE GUIDE WLDT	1

AC5150

WIDE WING ASSY RH

ASM101056



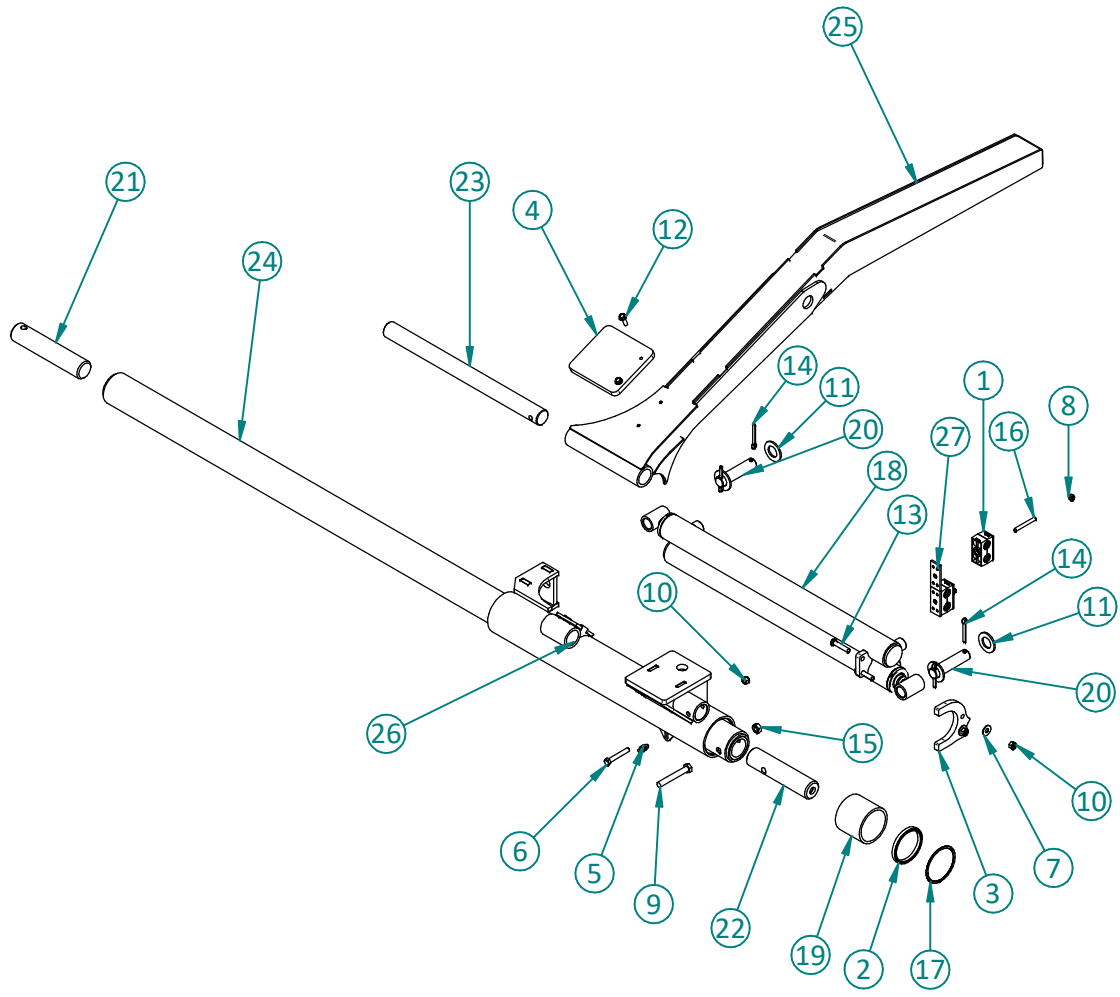
BOTTOM VIEW

ITEM	PART NO.	DESCRIPTION	QTY
1	CMPI00128	CONSPICUITY TAPE AMBER 2" X 9"	1
2	CMPI01086	WING STOP	1
3	CMPI01092	HEIGHT ADJ CHAIN	2
4	CMP500066	DECAL GREASE	1
5	FST100135	1/4" LOCK NUT	4
6	FST100150	3/8" FLAT WASHER	8
7	FST100151	1/2" FLAT WASHER HARDENED	16
8	FST100185	5/8" X 2" CAP SCREW	7
9	FST100188	1/2" X 5" CAP SCREW	1
10	FST100193	1/2" X 3" BOLT	4
11	FST100200	3/8" X 4" CAP SCREW	1
12	FST100201	3/8" X 1 1/2" CAP SCREW	4
13	FST100206	3/8" LOCKNUT	5
14	FST100233	1/4" X 3/4" CARRIAGE BOLT	4
15	FST100235	1/2" X 1 1/4" CARRIAGE BOLT	2
16	FST100278	5/8" CRIMP NUT	9
17	FST100349	5/8" HARDENED WASHER	16
18	FST100356	1/2" CRIMP NUT	11
19	FST100420	1/2" X 2" CAP SCREW GRADE 8	4
20	HYDI00266	GREASE ZERK 1/8" -27 PIPE (NPT)	1
21	HYDI00940	CYL 2.5 X 16 (HYS25FEM16-90)	1
22	PCTI01486	WING CYL LUG	1
23	PCTI01846	TUBE CLAMP	2
24	WLDI01281	STOP PLATE WLDT	1
25	WLDI01283	A-FRAME WELDT	1
26	WLDI01284	STOP TUBE WELDT	1
27	WLDI01291	WIDE WING WLDT RH	1
28	WLDI01297	CHAIN ADJUST WLDT	2
29	WLDI01319	WING BALE GUIDE WLDT	1

AC5150

PUSH OFF SLIDER LH

ASM101057

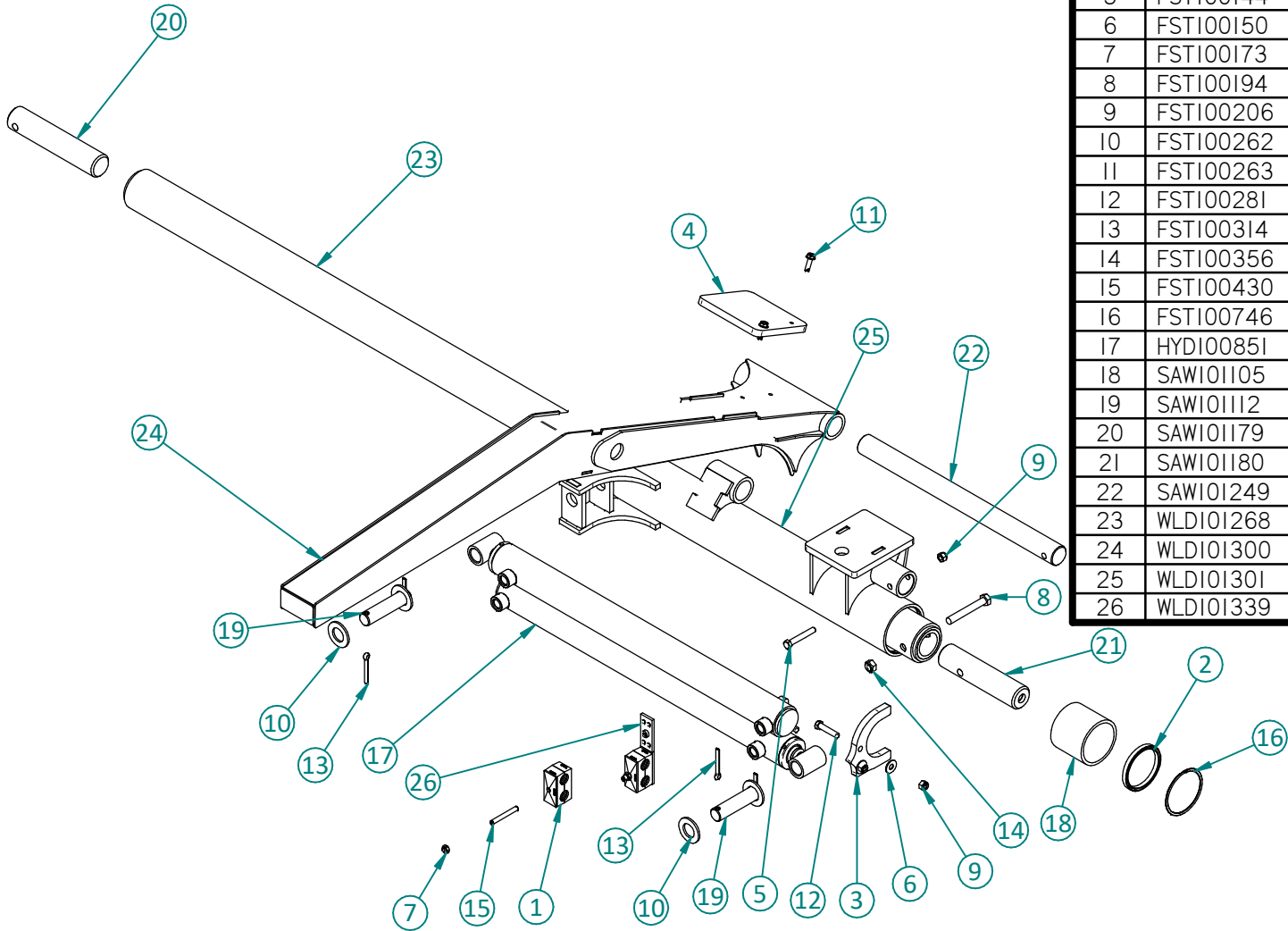


ITEM	PART NO.	DESCRIPTION	QTY
1	CMP100280	HOSE CLAMP DOUBLE 1/2"	4
2	CMP100307	GREASE SEAL	2
3	CMP101108	CYL GUIDE	1
4	CMP101119	RUBBER FLAP	1
5	ELC100532	MM-20 PROXIMITY MAGNET	1
6	FST100144	3/8" X 2 1/2" CAP SCREW	1
7	FST100150	3/8" FLAT WASHER	2
8	FST100173	5/16" LOCK NUT	2
9	FST100194	1/2" X 3 1/2" CAP SCREW	1
10	FST100206	3/8" LOCKNUT	3
11	FST100262	1" HARDENED WASHER F436	4
12	FST100263	5/16" x 1" SELF TAP	2
13	FST100281	3/8" X 1 3/4" BOLT	2
14	FST100314	1/4" x 2" COTTER PIN	4
15	FST100356	1/2" CRIMP NUT	1
16	FST100430	5/16" X 2 1/2" SOCKET HEAD SET	2
17	FST100746	SPIRAL SNAP RING INT 3.500	2
18	HYD100840	CYL 2.0 X 48 X1.25 ROD DUAL LH	1
19	SAW101105	PUSH OFF BUSHING	2
20	SAW101112	PUSH OFF CYLINDER PIN	2
21	SAW101179	REAR WING PIVOT SHAFT	1
22	SAW101180	FRONT WING PIVOT	1
23	SAW101249	WING PUSH OFF PIVOT SHAFT	1
24	WLD101268	PIVOT TUBE WLDT	1
25	WLD101302	WING PUSH OFF WLDT LH	1
26	WLD101303	PUSH OFF SLIDER WLDT LH	1
27	WLD101339	QUADRUPLE HOSE CLAMP BASE	1

AC5150

PUSH OFF SLIDER RH

ASM101058



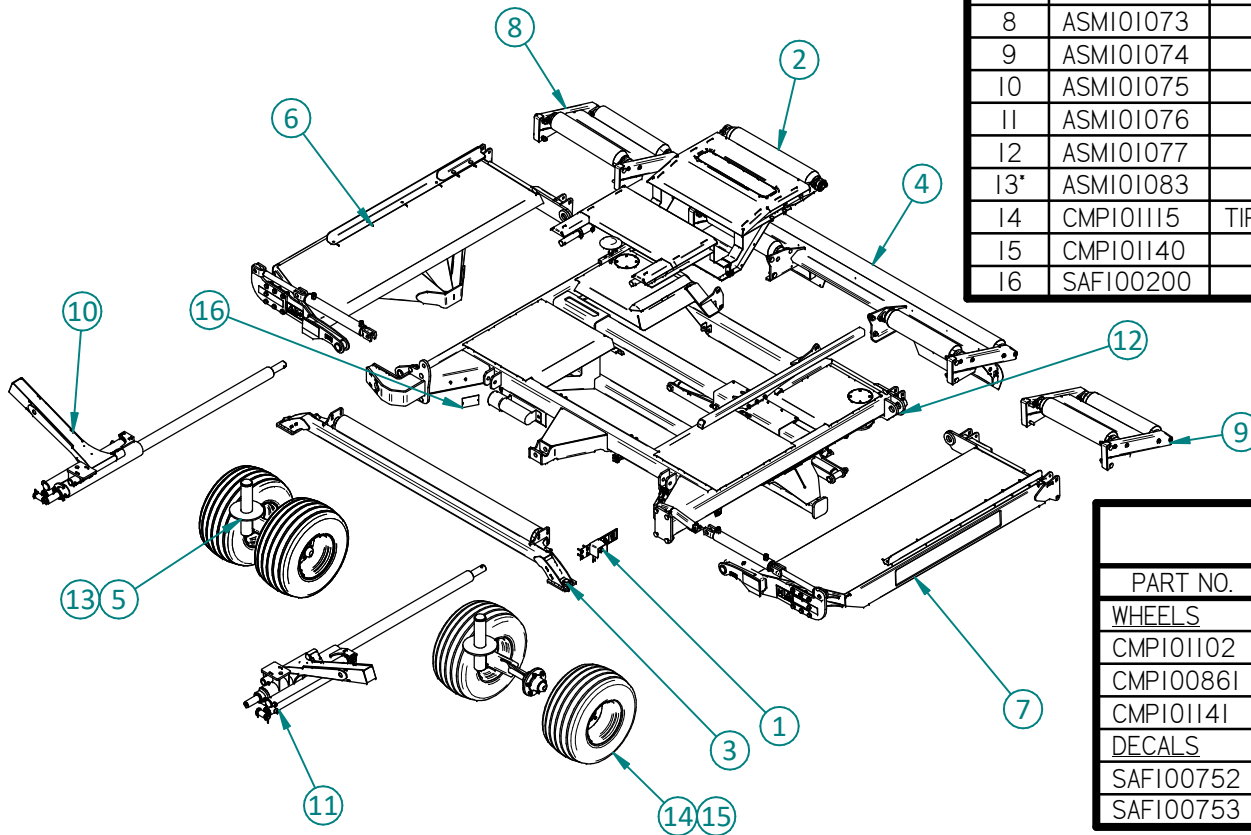
ITEM	PART NO.	DESCRIPTION	QTY
1	CMPI00280	HOSE CLAMP DOUBLE 1/2"	4
2	CMPI00307	GREASE SEAL	2
3	CMPI01108	CYL GUIDE	1
4	CMPI01119	RUBBER FLAP	1
5	FSTI00144	3/8" X 2 1/2" CAP SCREW	1
6	FSTI00150	3/8" FLAT WASHER	2
7	FSTI00173	5/16" LOCK NUT	2
8	FSTI00194	1/2" X 3 1/2" CAP SCREW	1
9	FSTI00206	3/8" LOCKNUT	3
10	FSTI00262	1" HARDENED WASHER F436	4
11	FSTI00263	5/16" x 1" SELF TAP	2
12	FSTI00281	3/8" X 1 3/4" BOLT	2
13	FSTI00314	1/4" x 2" COTTER PIN	4
14	FSTI00356	1/2" CRIMP NUT	1
15	FSTI00430	5/16" X 2 1/2" SOCKET HEAD SET	2
16	FSTI00746	SPIRAL SNAP RING INT 3.500	2
17	HYDI00851	CYL 2.0 X 48 XI.25 ROD DUAL RH	1
18	SAWI01105	PUSH OFF BUSHING	2
19	SAWI01112	PUSH OFF CYLINDER PIN	2
20	SAWI01179	REAR WING PIVOT SHAFT	1
21	SAWI01180	FRONT WING PIVOT	1
22	SAWI01249	WING PUSH OFF PIVOT SHAFT	1
23	WLDI01268	PIVOT TUBE WLDT	1
24	WLDI01300	WIDE WING PUSH OFF WLDT RH	1
25	WLDI01301	PUSH OFF SLIDER WLDT RH	1
26	WLDI01339	QUADRUPLE HOSE CLAMP BASE	1

AC5130

AC5130 ACCUMULATOR

WHG101004

ITEM	PART NO.	DESCRIPTION	QTY
1	ASMI00809	EMERGENCY SHUT OFF ASSEMBLY	1
2	ASMI01034	SCALE DECK ASSEMBLY	1
3	ASMI01046	PUSH OFF ASSY	1
4	ASMI01049	CENTER TAILPIECE ASSY	1
5	ASMI01052	CASTER ASSEMBLY 618	2
6	ASMI01071	NARROW WING ASSY RH	1
7	ASMI01072	NARROW WING ASSY LH	1
8	ASMI01073	NARROW WING TAILPIECE ASSY RH	1
9	ASMI01074	NARROW WING TAILPIECE ASSY LH	1
10	ASMI01075	PUSH OFF SLIDER RH	1
11	ASMI01076	PUSH OFF SLIDER LH	1
12	ASMI01077	FOLDING FLAT MAIN FRAME ASSY	1
13*	ASMI01083	TALL 618 CASTER ASSEMBLY	2
14	CMPI01115	TIRE 26 x 12 x 12 NHS 12PLY ON 2800LB YELLOW	4
15	CMPI01140	TIRE 26 x 12 x 12 12PLY ON 2800LB GREY	4
16	SAFI00200	FLAT ACCUMULATOR SERIAL PLATE	1

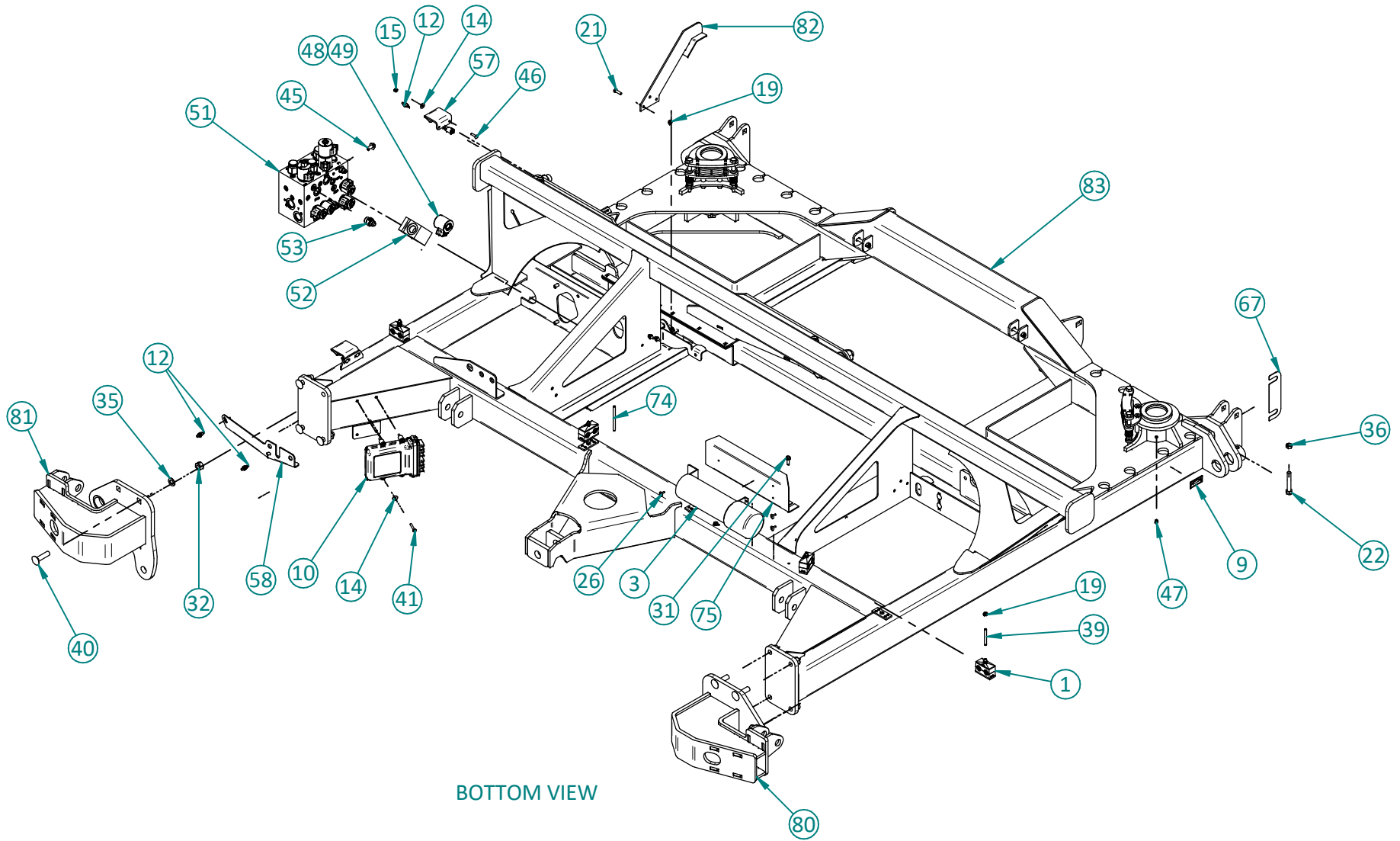


OPTIONS	
PART NO.	DESCRIPTION
<u>WHEELS</u>	
CMPI01102	TIRE 26 x 12 x 12 NHS 12 PLY FFS TL
CMPI00861	WHEEL 12 X 10.5 X 6 2800LB YELLOW
CMPI01141	WHEEL 12 X 10.5 X 6 2800LB GREY
<u>DECALS</u>	
SAFI00752	AC5130 DECAL LH
SAFI00753	AC5130 DECAL RH

AC5130

FOLDING FLAT MAIN FRAME ASSY

ASM101077



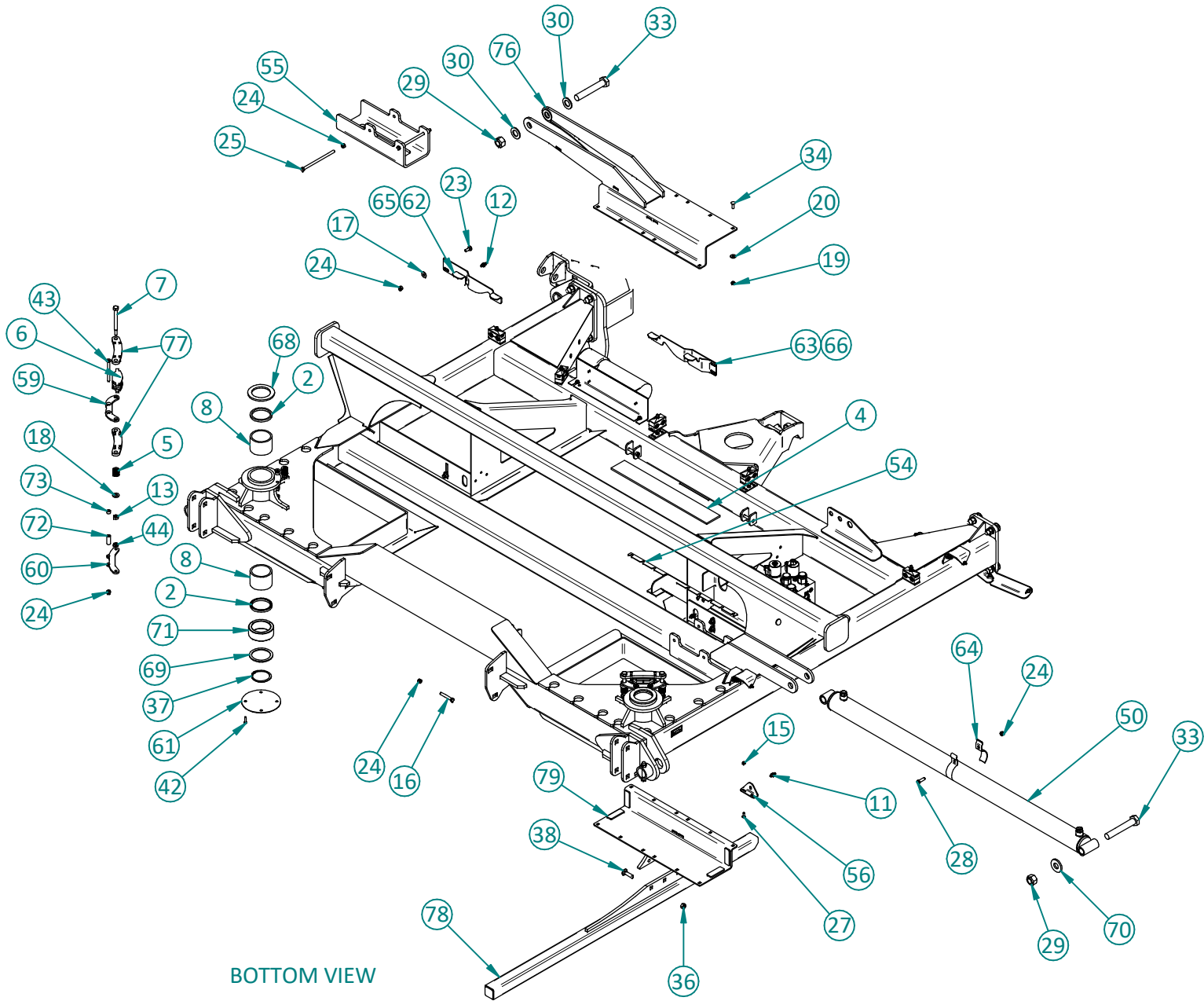
AC5130**FOLDING FLAT MAIN FRAME ASSY****ASM101077**

ITEM	PART NO.	DESCRIPTION	QTY	ITEM	PART NO.	DESCRIPTION	QTY
42	FST100739	1/4 X 1 HEX DRIVE BUTTON SOCKET CAP SCREW	8	1'	CMPI00280	HOSE CLAMP DOUBLE 1/2"	2
43	FST100752	3/8" X 4 FLAT HEAD CAP SCREW	4	2	CMPI00307	GREASE SEAL	4
44	FST100754	1/2" JAM NUT	4	3	CMPI00313	MANUAL CANISTER	1
45	FST100799	M10 - 1.5 X 20 SERRATED FLANGE BOLT	4	4	CMPI01020	SIDE SHIFT SLIDER	4
46	FST100895	1/4" X 1" CARRIAGE BOLT	4	5	CMPI01022	DIE SPRING 1" OD X 1/2" ID X 1" OAL BLUE	4
47	HYDI00266	GREASE ZERK 1/8" -27 PIPE (NPT)	2	6	CMPI01054	BRAKE PAD	4
48'	HYDI00595	HYDRAFORCE SOLENOID VALVE SV12	1	7	CMPI01055	BRAKE PAD RETAINING BOLT	4
49	HYDI00598	HYDRAFORCE COIL 4303712	1	8	CMP200602	GARFIL BUSHING 3.5" OD X .250" X 2.5"	4
50	HYDI00820	CYL 2.75 X 52.00 X 1.50	1	9	CMP500066	DECAL GREASE	2
51	HYDI00868	VALVE BLOCK FOLDING ACC	1	10	ELCI00509	FALCON CONTROLLER, WIFI	1
52	HYDI00973	12-SAE TWO WAY VALVE BODY	1	11	ELCI00532	MM-20 PROXIMITY MAGNET	1
53	HYDI00997	ST ADAPTER .156" ORIFICE 10 MORB X 08 MJIC	2	12	ELCI00533	PROXIMITY SWITCH ASSEMBLY	6
54	PCTI01285	SIDE SHIFT SHIM	4	13	FST100107	1/2" NUT	4
55	PCTI01304	SIDE SHIFT STOP	2	14	FST100134	1/4" FLAT WASHER	10
56	PCTI01311	SIDE SHIFT MAGNET MOUNT	1	15	FST100135	1/4" LOCK NUT	6
57	PCTI01314	PUSHOFF SENSOR MOUNT	2	16	FST100144	3/8" X 2 1/2" CAP SCREW	4
58	PCTI01318	WING SENSOR TRIGGER	1	17	FST100150	3/8" FLAT WASHER	4
59	PCTI01383	SPRING MOUNT PLATE	2	18	FST100151	1/2" FLAT WASHER HARDENED	4
60	PCTI01384	SPRING MOUNT PLATE	2	19	FST100173	5/16" LOCK NUT	20
61	PCTI01437	CASTER COVER KNOCKOUT	2	20	FST100174	5/16" FLAT WASHER	13
62	PCTI01510	SHORT SIDE SHIFT SENSOR MOUNT RH	1	21	FST100176	5/16" X 1" CAP SCREW	3
63	PCTI01511	SHORT SIDE SHIFT SENSOR MOUNT LH	1	22	FST100193	1/2" x 3" BOLT	2
64	PCTI01684	MASTER CYL HOSE CLAMP	2	23	FST100199	3/8" x 1" CARRIAGE BOLT	4
65	PCTI01895	LONG SIDE SHIFT SENSOR MOUNT RH	1	24	FST100206	3/8" LOCKNUT	17
66	PCTI01897	LONG SIDE SHIFT SENSOR MOUNT LH	1	25	FST100211	3/8" X 7" CAP SCREW	4
67	PCTI01999	TAILPIECE SHIM	2	26	FST100228	POP RIVET STEEL 3/16 X 1/2 X 5/8 HEAD	5
68	PCT200703	CASTER WASHER	2	27	FST100233	1/4" X 3/4" CARRIAGE BOLT	2
69	PCT200705	CASTER WASHER	2	28	FST100241	3/8" X 1 1/4" CAP SCREW	1
70	PCT200835	THICKENING RING 1"	1	29	FST100245	1" LOCKNUT	2
71	SAWI01065	CASTER SPACER	2	30	FST100262	1" HARDENED WASHER F436	5
72	SAWI01132	BRAKE SPACER	4	31	FST100263	5/16" x 1" SELF TAP	2
73	SAWI01133	SHORT BRAKE SPACER	8	32	FST100278	5/8" CRIMP NUT	8
74	SAW500107	5/16 X 4 STUD	2	33	FST100307	1" X 6" CAP SCREW	2
75	STMI00423	ACCUMULATOR MUD SHIELD	1	34	FST100344	5/16" x 1" CARRIAGE BOLT	12
76	WLDI01161	SIDE SHIFT BOTTOM WELDMENT	1	35	FST100349	5/8" HARDENED WASHER	8
77	WLDI01170	BRAKE PAD STOP	4	36	FST100356	1/2" CRIMP NUT	5
78	WLDI01215	SIDE SHIFT BAR WELDMENT	1	37	FST100406	SNAP RING EXTERNAL 3.000	2
79	WLDI01216	SIDE SHIFT TOP WELDMENT	1	38	FST100429	1/2" X 1 3/4" CARRIAGE BOLT	3
80	WLDI01235	CYL MOUNT WLDT RH	1	39	FST100430	5/16" X 2 1/2" SOCKET HEAD SET SCREW	3
81	WLDI01237	CYL MOUNT WLDT LH	1	40	FST100458	5/8" X 2 1/2" CARRIAGE BOLT GR8	8
82	WLDI01260	SIDE SHIFT CYLINDER SUPPORT	1	41	FST100461	1/4" X 1 1/2" BLACK PAN HEAD MACHINE SCREW #3 PHILLIPS	4
83	WLDI01312	NARROW FOLDING FLAT MAIN FRAME	1				

AC5130

FOLDING FLAT MAIN FRAME ASSY

ASM101077

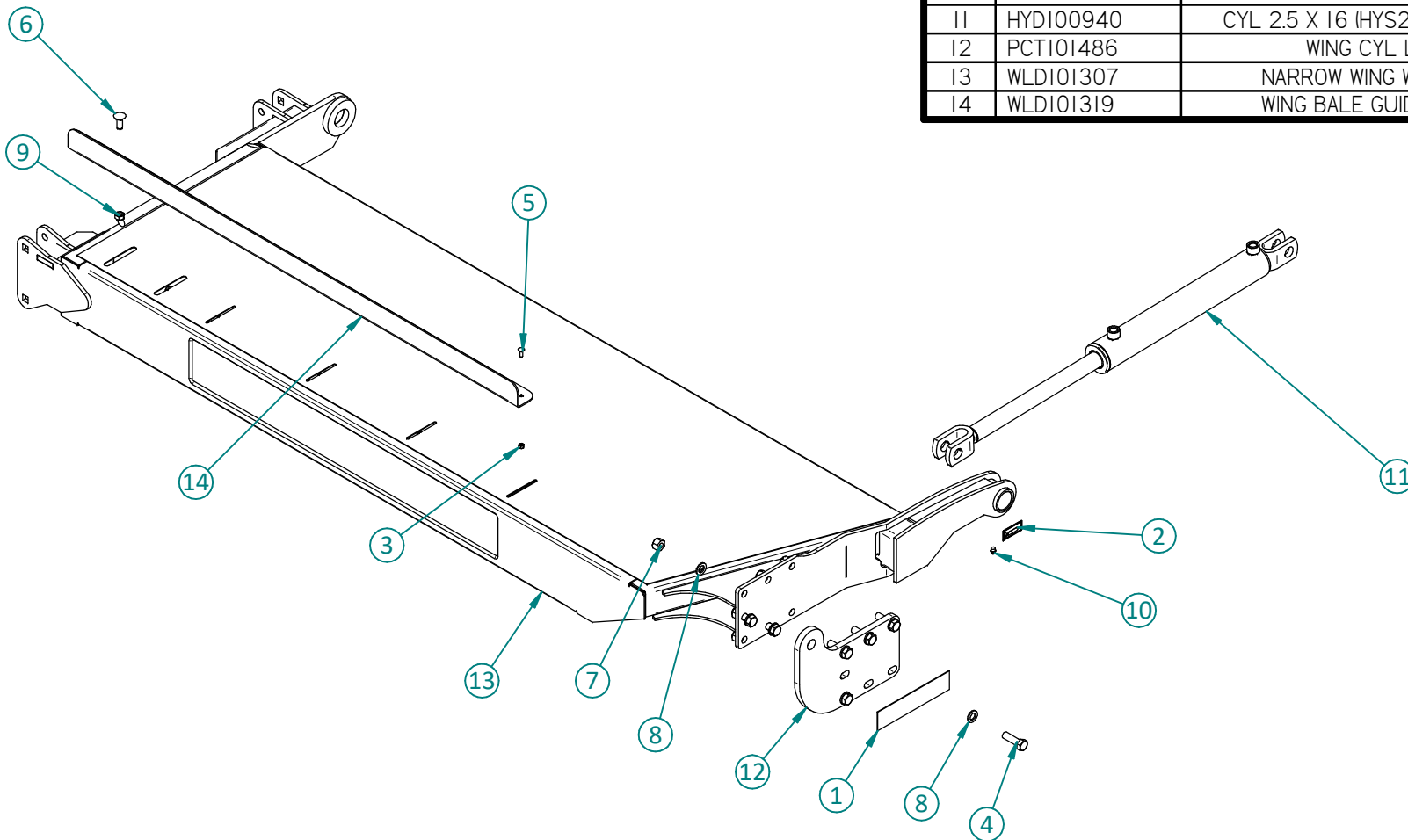


AC5130

NARROW WING ASSY RH

ASM101071

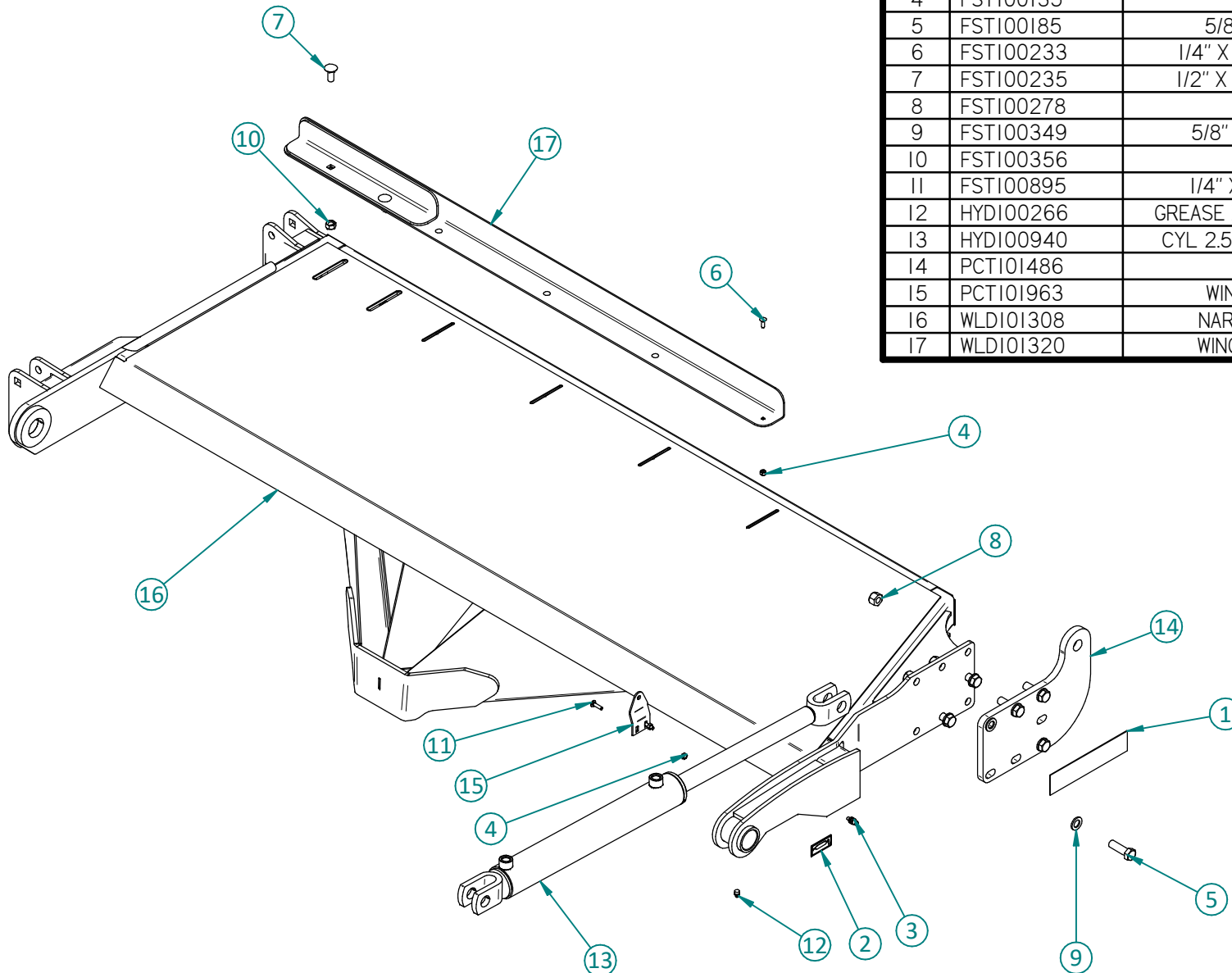
ITEM	PART NO.	DESCRIPTION	QTY
1	CMP100128	CONSPICUITY TAPE AMBER 2" X 9"	1
2	CMP500066	DECAL GREASE	1
3	FST100135	1/4" LOCK NUT	4
4	FST100185	5/8" X 2" CAP SCREW	7
5	FST100233	1/4" X 3/4" CARRIAGE BOLT	4
6	FST100235	1/2" X 1 1/4" CARRIAGE BOLT	2
7	FST100278	5/8" CRIMP NUT	7
8	FST100349	5/8" HARDENED WASHER	14
9	FST100356	1/2" CRIMP NUT	2
10	HYD100266	GREASE ZERK 1/8" -27 PIPE (NPT)	1
11	HYD100940	CYL 2.5 X 16 (HYS25FEMI6-90)	1
12	PCT101486	WING CYL LUG	1
13	WLD101307	NARROW WING WLDT RH	1
14	WLD101319	WING BALE GUIDE WLDT	1



AC5130

NARROW WING ASSY LH

ASM101072



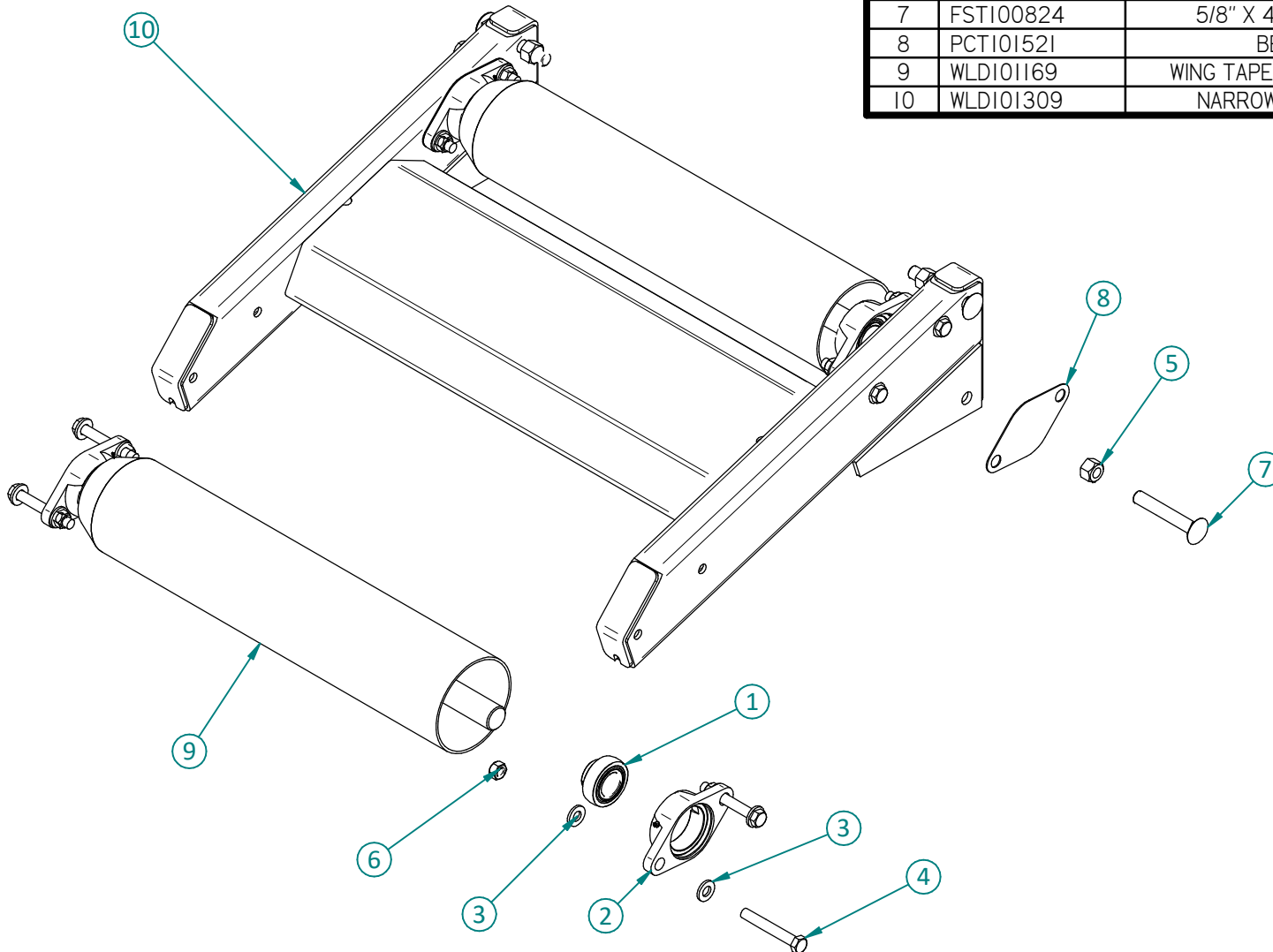
ITEM	PART NO.	DESCRIPTION	QTY
1	CMPI00128	CONSPICUITY TAPE AMBER 2" X 9"	1
2	CMP500066	DECAL GREASE	1
3	ELCI00532	MM-20 PROXIMITY MAGNET	1
4	FSTI00135	1/4" LOCK NUT	6
5	FSTI00185	5/8" X 2" CAP SCREW	7
6	FSTI00233	1/4" X 3/4" CARRIAGE BOLT	4
7	FSTI00235	1/2" X 1 1/4" CARRIAGE BOLT	2
8	FSTI00278	5/8" CRIMP NUT	7
9	FSTI00349	5/8" HARDENED WASHER	14
10	FSTI00356	1/2" CRIMP NUT	2
11	FSTI00895	1/4" X 1" CARRIAGE BOLT	2
12	HYDI00266	GREASE ZERK 1/8" -27 PIPE (NPT)	1
13	HYDI00940	CYL 2.5 X 16 (HYS25FEM16-90)	1
14	PCTI01486	WING CYL LUG	1
15	PCTI01963	WING MAGNET MOUNT	1
16	WLDI01308	NARROW WING WLDT LH	1
17	WLDI01320	WING BALE GUIDE WLDT	1

AC5130

NARROW WING TAILPIECE ASSY RH

ASM101073

ITEM	PART NO.	DESCRIPTION	QTY
1	CMPI00109	BEARING YET 206-104	4
2	CMPI00169	FL206 2-BOLT HOUSING	4
3	FSTI00151	1/2" FLAT WASHER HARDENED	16
4	FSTI00194	1/2" X 3 1/2" CAP SCREW	8
5	FSTI00278	5/8" CRIMP NUT	4
6	FSTI00356	1/2" CRIMP NUT	8
7	FSTI00824	5/8" X 4" CARRIAGE BOLT	4
8	PCTI01521	BEARING CAP	2
9	WLDI01169	WING TAPERED ROLLER WELDT	2
10	WLDI01309	NARROW WING TAIL PIECE	1

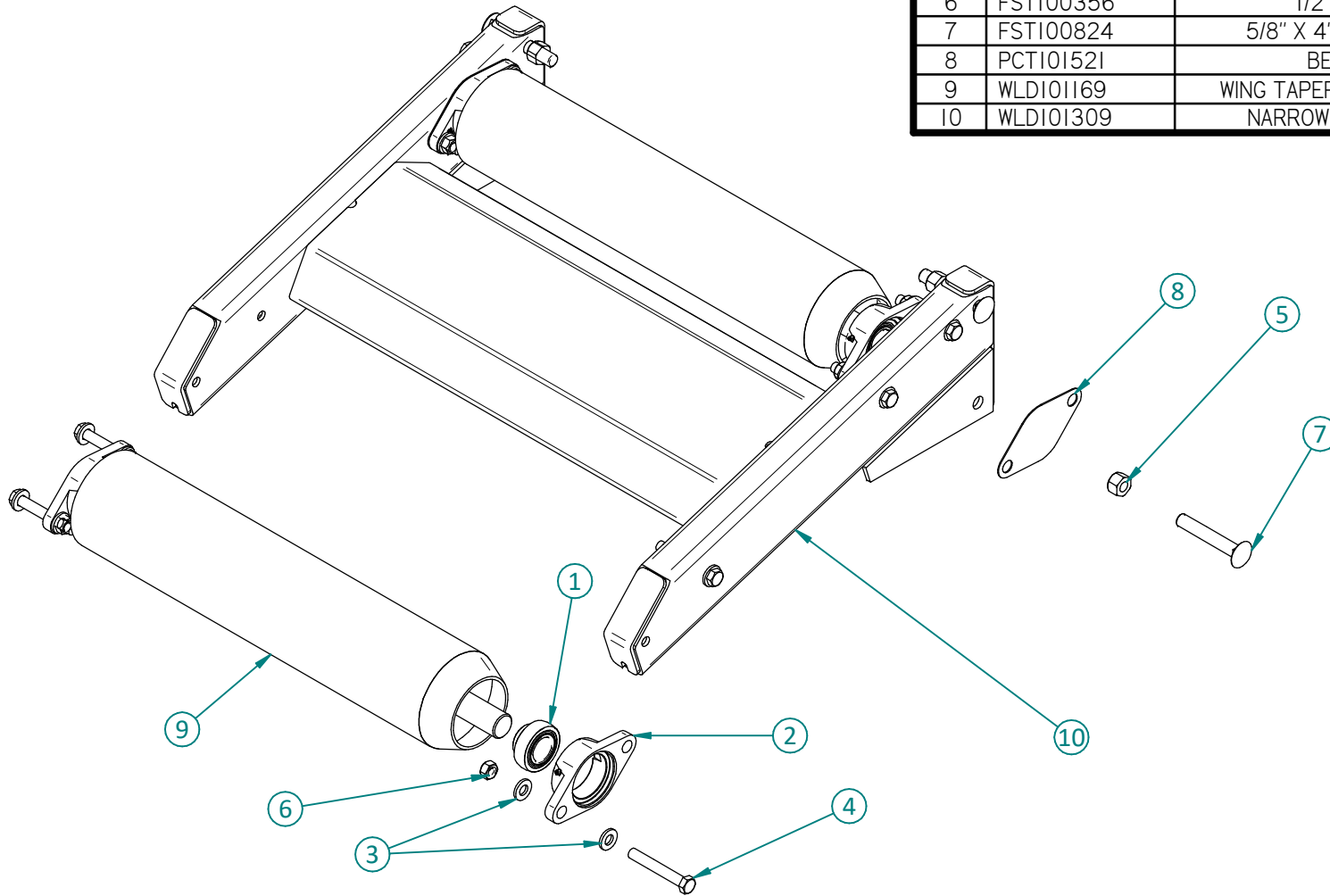


AC5130

NARROW WING TAILPIECE ASSY LH

ASM101074

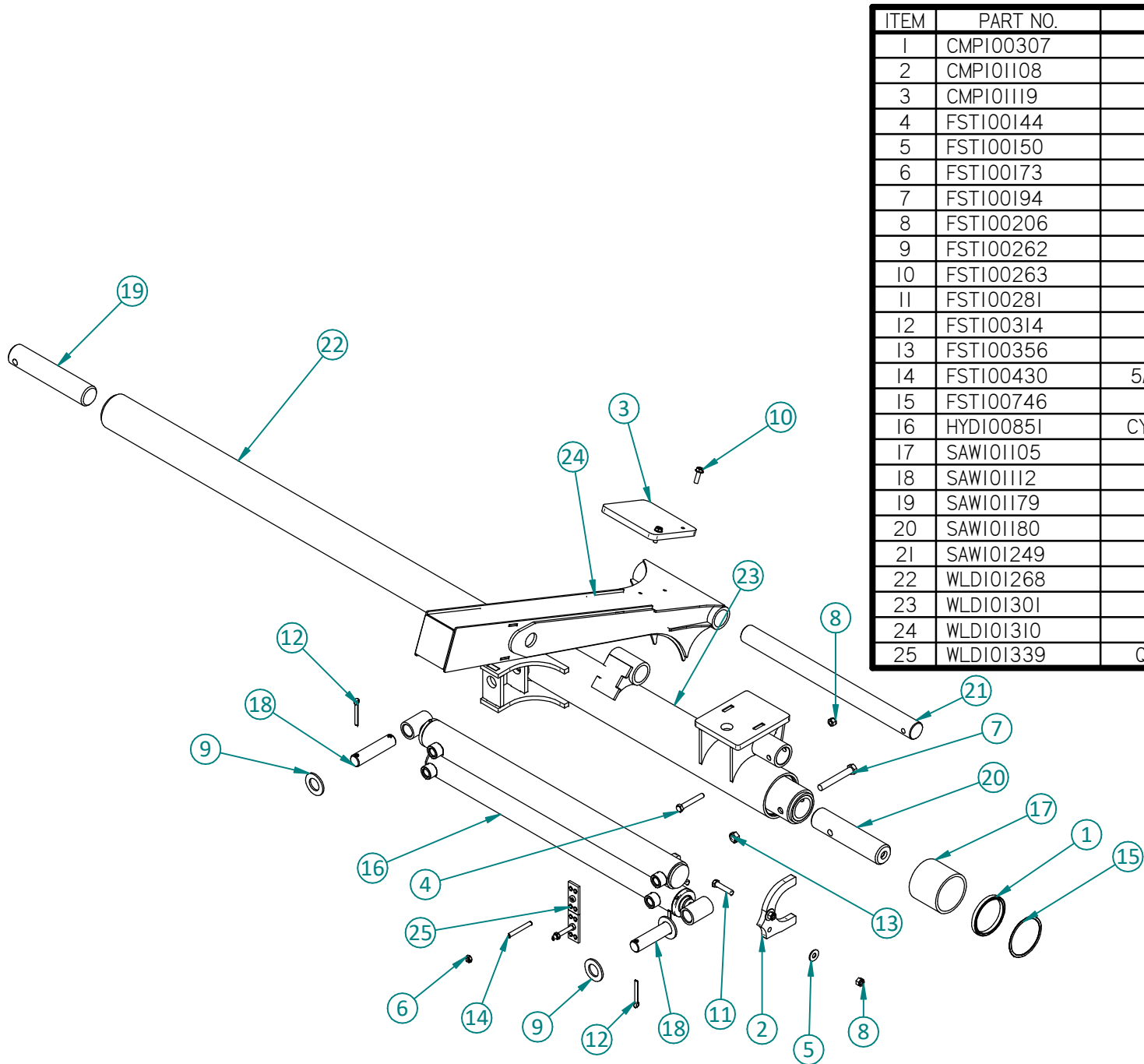
ITEM	PART NO.	DESCRIPTION	QTY
1	CMP100109	BEARING YET 206-104	4
2	CMP100169	FL206 2-BOLT HOUSING	4
3	FST100151	1/2" FLAT WASHER HARDENED	16
4	FST100194	1/2" X 3 1/2" CAP SCREW	8
5	FST100278	5/8" CRIMP NUT	4
6	FST100356	1/2" CRIMP NUT	8
7	FST100824	5/8" X 4" CARRIAGE BOLT	4
8	PCT101521	BEARING CAP	2
9	WLD101169	WING TAPERED ROLLER WELDT	2
10	WLD101309	NARROW WING TAIL PIECE	1



AC5130

PUSH OFF SLIDER RH

ASM101075

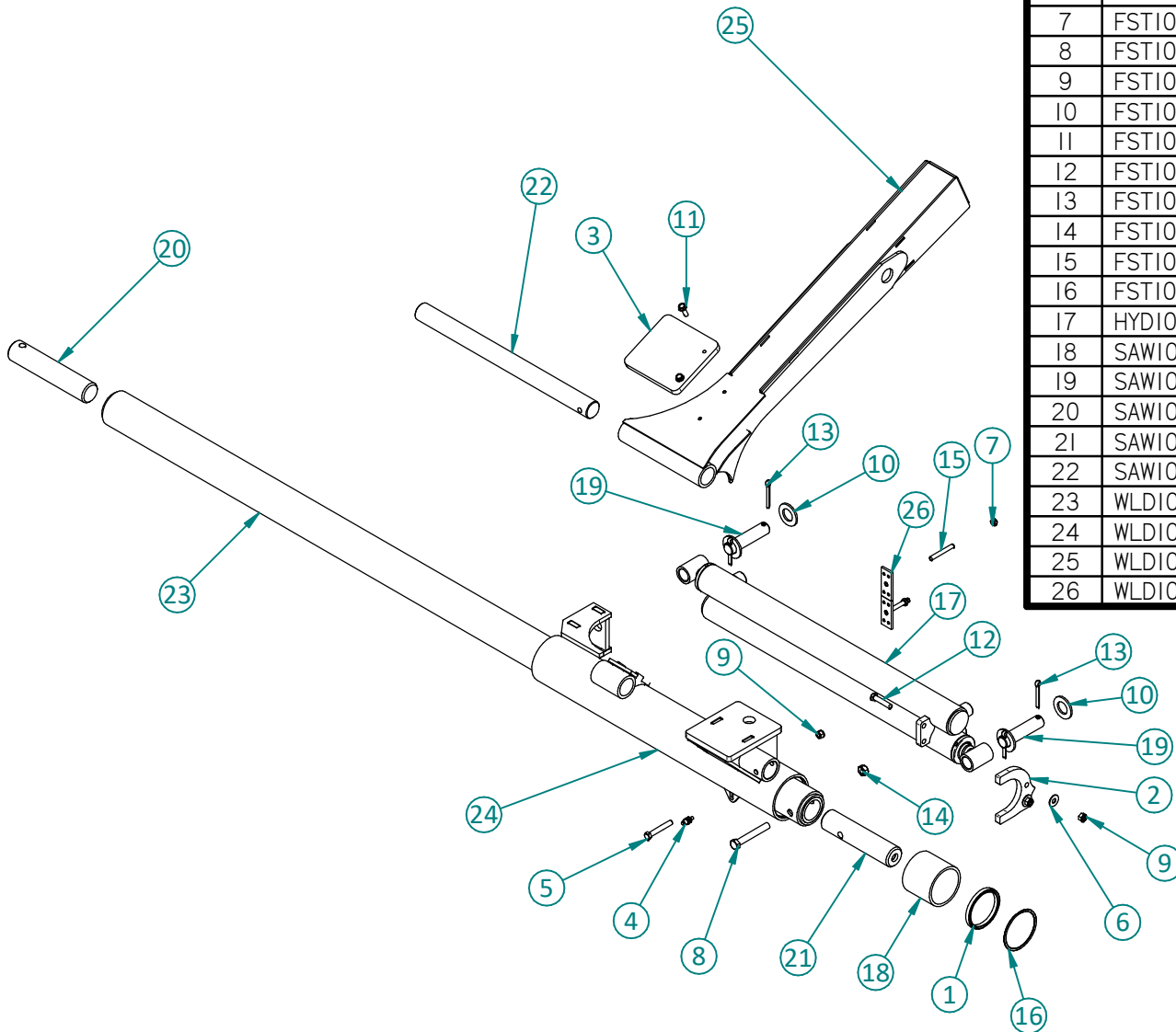


ITEM	PART NO.	DESCRIPTION	QTY
1	CMPI00307	GREASE SEAL	2
2	CMPI01108	CYL GUIDE	1
3	CMPI01119	RUBBER FLAP	1
4	FSTI00144	3/8" X 2 1/2" CAP SCREW	1
5	FSTI00150	3/8" FLAT WASHER	2
6	FSTI00173	5/16" LOCK NUT	2
7	FSTI00194	1/2" X 3 1/2" CAP SCREW	1
8	FSTI00206	3/8" LOCKNUT	3
9	FSTI00262	1" HARDENED WASHER F436	4
10	FSTI00263	5/16" x 1" SELF TAP	2
11	FSTI00281	3/8" X 1 3/4" BOLT	2
12	FSTI00314	1/4" x 2" COTTER PIN	4
13	FSTI00356	1/2" CRIMP NUT	1
14	FSTI00430	5/16" X 2 1/2" SOCKET HEAD SET	2
15	FSTI00746	SPIRAL SNAP RING INT 3.500	2
16	HYDI00851	CYL 2.0 X 48 XI.25 ROD DUAL RH	1
17	SAWI01105	PUSH OFF BUSHING	2
18	SAWI01112	PUSH OFF CYLINDER PIN	2
19	SAWI01179	REAR WING PIVOT SHAFT	1
20	SAWI01180	FRONT WING PIVOT	1
21	SAWI01249	WING PUSH OFF PIVOT SHAFT	1
22	WLDI01268	PIVOT TUBE WLDT	1
23	WLDI01301	PUSH OFF SLIDER WLDT RH	1
24	WLDI01310	WING PUSH OFF WLDT RH	1
25	WLDI01339	QUADRUPLE HOSE CLAMP BASE	1

AC5130

PUSH OFF SLIDER LH

ASM101076



ITEM	PART NO.	DESCRIPTION	QTY
1	CMPI00307	GREASE SEAL	2
2	CMPI01108	CYL GUIDE	1
3	CMPI01119	RUBBER FLAP	1
4	ELCI00532	MM-20 PROXIMITY MAGNET	1
5	FSTI00144	3/8" X 2 1/2" CAP SCREW	1
6	FSTI00150	3/8" FLAT WASHER	2
7	FSTI00173	5/16" LOCK NUT	2
8	FSTI00194	1/2" X 3 1/2" CAP SCREW	1
9	FSTI00206	3/8" LOCKNUT	3
10	FSTI00262	1" HARDENED WASHER F436	4
11	FSTI00263	5/16" x 1" SELF TAP	2
12	FSTI00281	3/8" X 1 3/4" BOLT	2
13	FSTI00314	1/4" x 2" COTTER PIN	4
14	FSTI00356	1/2" CRIMP NUT	1
15	FSTI00430	5/16" X 2 1/2" SOCKET HEAD SET	2
16	FSTI00746	SPIRAL SNAP RING INT 3.500	2
17	HYDI00840	CYL 2.0 X 48 XI.25 ROD DUAL LH	1
18	SAWI01105	PUSH OFF BUSHING	2
19	SAWI01112	PUSH OFF CYLINDER PIN	2
20	SAWI01179	REAR WING PIVOT SHAFT	1
21	SAWI01180	FRONT WING PIVOT	1
22	SAWI01249	WING PUSH OFF PIVOT SHAFT	1
23	WLDI01268	PIVOT TUBE WLDT	1
24	WLDI01303	PUSH OFF SLIDER WLDT LH	1
25	WLDI01311	WING PUSH OFF WLDT LH	1
26	WLDI01339	QUADRUPLE HOSE CLAMP BASE	1

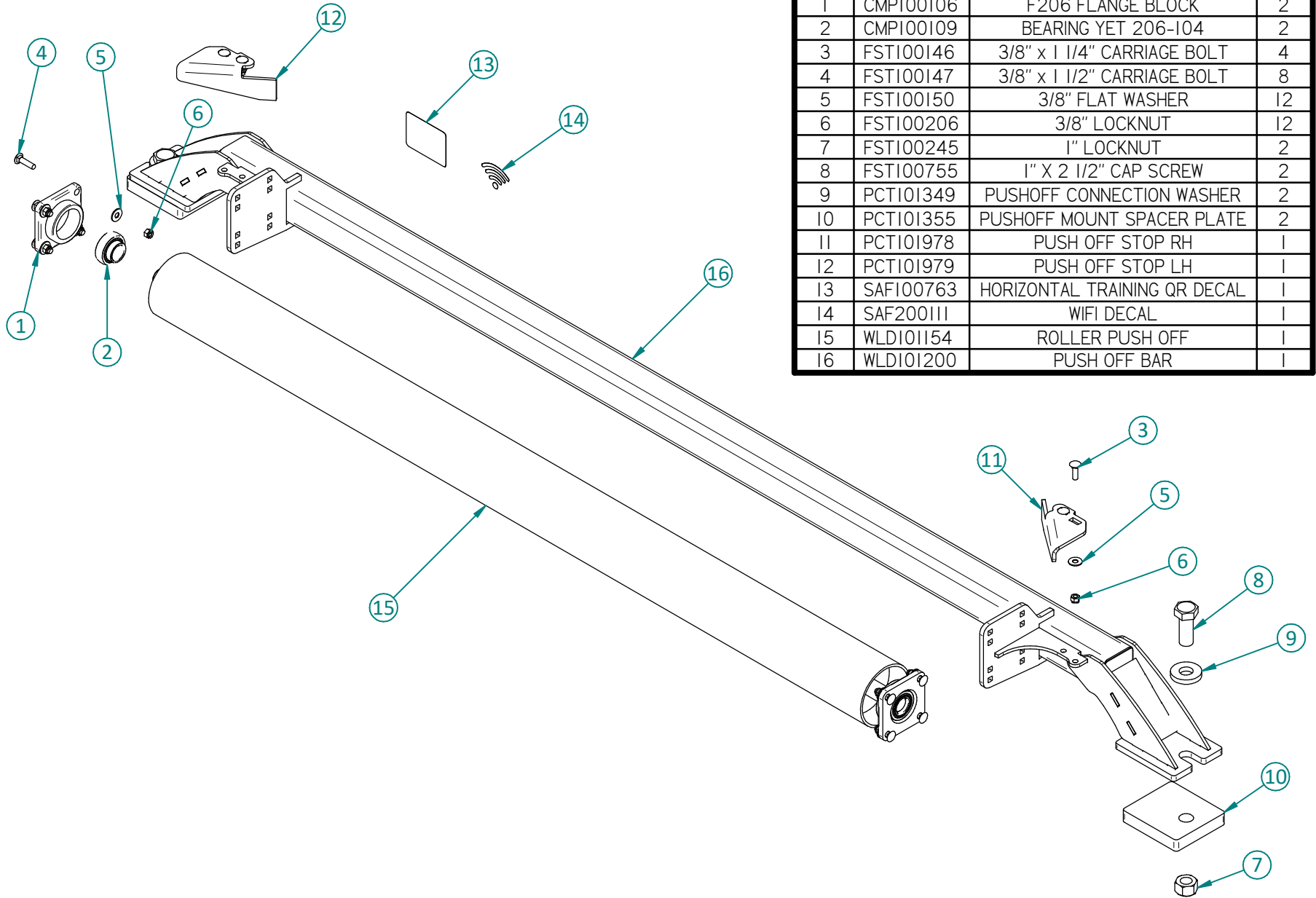
AC5130/5150

PUSH OFF ASSY

ASM101046

SERIAL # PHB05130KP0000014 AND OVER

ITEM	PART NO.	DESCRIPTION	QTY
1	CMPI00106	F206 FLANGE BLOCK	2
2	CMPI00109	BEARING YET 206-104	2
3	FSTI00146	3/8" x 1 1/4" CARRIAGE BOLT	4
4	FSTI00147	3/8" x 1 1/2" CARRIAGE BOLT	8
5	FSTI00150	3/8" FLAT WASHER	12
6	FSTI00206	3/8" LOCKNUT	12
7	FSTI00245	1" LOCKNUT	2
8	FSTI00755	1" X 2 1/2" CAP SCREW	2
9	PCTI01349	PUSHOFF CONNECTION WASHER	2
10	PCTI01355	PUSHOFF MOUNT SPACER PLATE	2
11	PCTI01978	PUSH OFF STOP RH	1
12	PCTI01979	PUSH OFF STOP LH	1
13	SAFI00763	HORIZONTAL TRAINING QR DECAL	1
14	SAF200111	WIFI DECAL	1
15	WLDI01154	ROLLER PUSH OFF	1
16	WLDI01200	PUSH OFF BAR	1



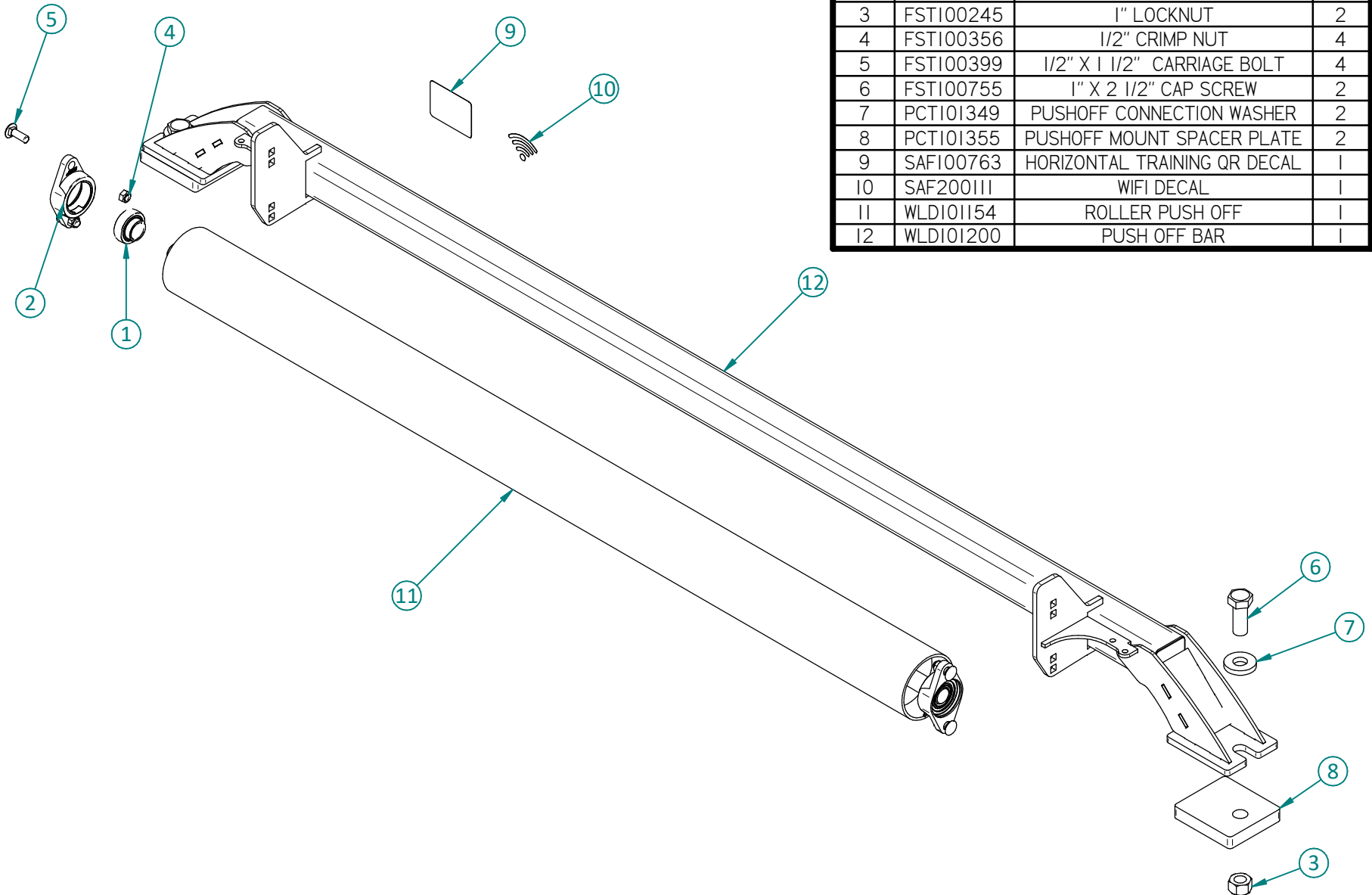
AC5130/5150

PUSH OFF ASSY

ASM101046

SERIAL # PHB05150VNO000013 AND UNDER

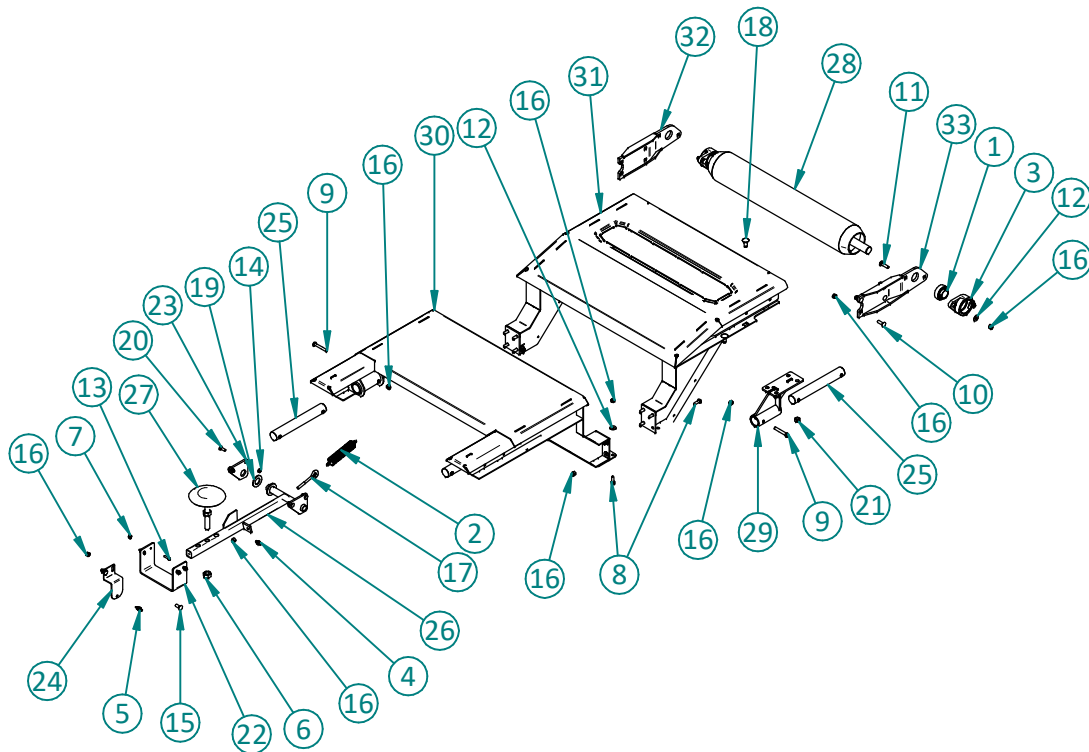
ITEM	PART NO.	DESCRIPTION	QTY
1	CMPI00109	BEARING YET 206-104	2
2	CMPI01143	FE206 2-BOLT HOUSING	2
3	FSTI00245	1" LOCKNUT	2
4	FSTI00356	1/2" CRIMP NUT	4
5	FSTI00399	1/2" X 1 1/2" CARRIAGE BOLT	4
6	FSTI00755	1" X 2 1/2" CAP SCREW	2
7	PCTI01349	PUSHOFF CONNECTION WASHER	2
8	PCTI01355	PUSHOFF MOUNT SPACER PLATE	2
9	SAFI00763	HORIZONTAL TRAINING QR DECAL	1
10	SAF200111	WIFI DECAL	1
11	WLDI01154	ROLLER PUSH OFF	1
12	WLDI01200	PUSH OFF BAR	1



AC5130/5150

SCALE DECK ASSEMBLY

ASM101034

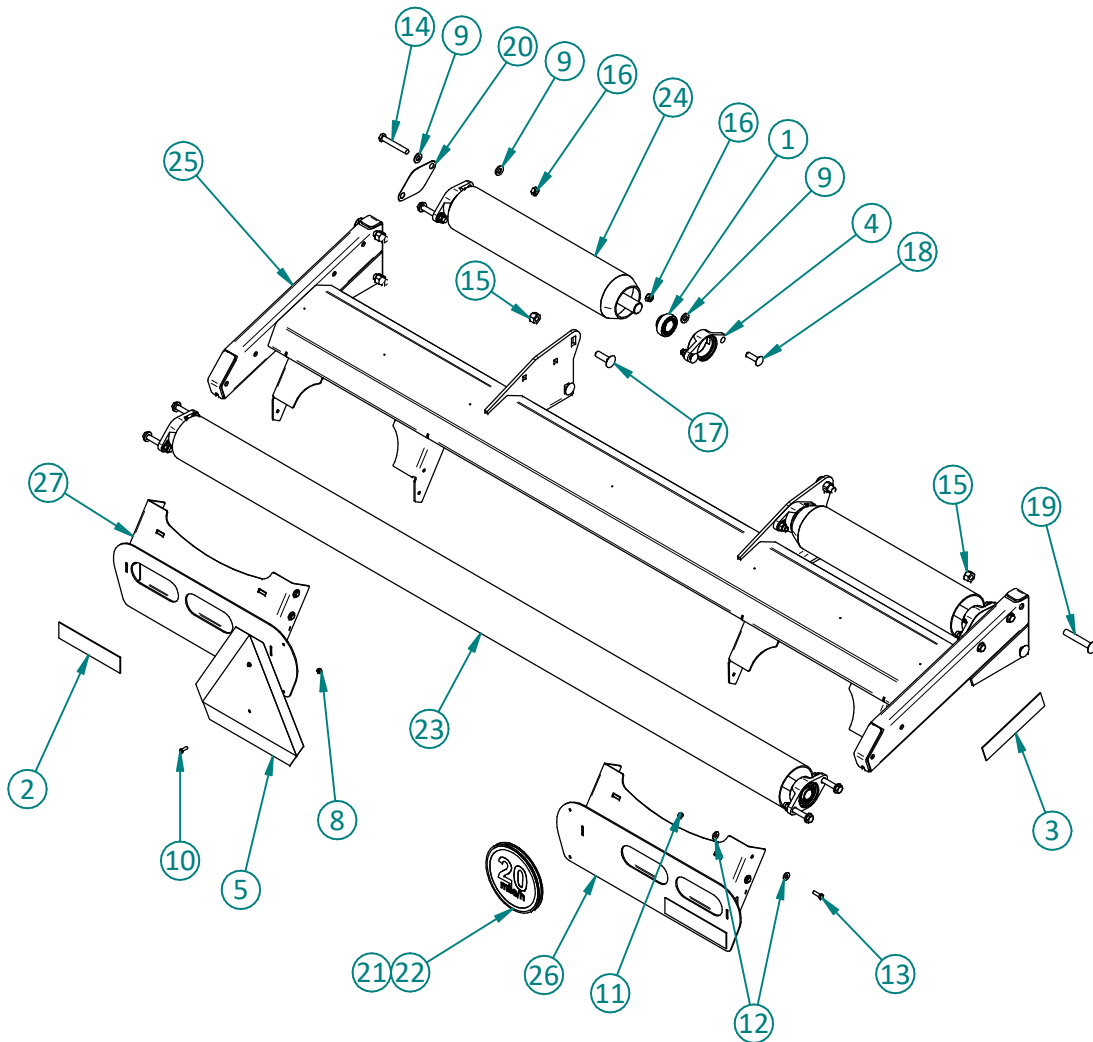


ITEM	PART NO.	DESCRIPTION	QTY
1	CMP100109	BEARING YET 206-104	2
2	CMP100145	EXTENSION SPRING	1
3	CMP100169	FL206 2-BOLT HOUSING	2
4	ELC100532	MM-20 PROXIMITY MAGNET	1
5	ELC100533	PROXIMITY SWITCH ASSEMBLY	1
6	FST100117	3/4" NUT	2
7	FST100135	1/4" LOCK NUT	4
8	FST100141	3/8" X 1" CAP SCREW	12
9	FST100144	3/8" X 2 1/2" CAP SCREW	4
10	FST100146	3/8" x 1 1/4" CARRIAGE BOLT	8
11	FST100147	3/8" x 1 1/2" CARRIAGE BOLT	4
12	FST100150	3/8" FLAT WASHER	16
13	FST100156	1/4" X 1" CAP SCREW	4
14	FST100173	5/16" LOCK NUT	4
15	FST100199	3/8" x 1" CARRIAGE BOLT	2
16	FST100206	3/8" LOCKNUT	31
17	FST100226	3/8" X 3" EYE BOLT	1
18	FST100232	1/2" X 1" CARRIAGE BOLT	8
19	FST100262	1" HARDENED WASHER F436	1
20	FST100344	5/16" x 1" CARRIAGE BOLT	4
21	FST100356	1/2" CRIMP NUT	8
22	PCT100855	SAFETY STOP	1
23	PCT100864	ACCUMULATOR BALE SWITCH MTG LUG	2
24	PCT101260	BALE TRIGGER SENSOR MOUNT	1
25	SAWI01150	LOAD CELL DUMMY SHAFT	4
26	WLD100501	ACCUMULATOR BALE SWITCH ARM	1
27	WLD100502	BALE BUTTON	1
28	WLD101167	FLAT CENTER ROLLER	1
29	WLD101204	REAR LOAD CELL MOUNT WLDT	2
30	WLD101286	FRONT CENTER DECK	1
31	WLD101289	CENTER DECK	1
32	WLD101304	ROLLER BRKT WLDT RH	1
33	WLD101305	ROLLER BRKT WLDT LH	1

AC5130/5150

CENTER TAILPIECE ASSY

ASM101049



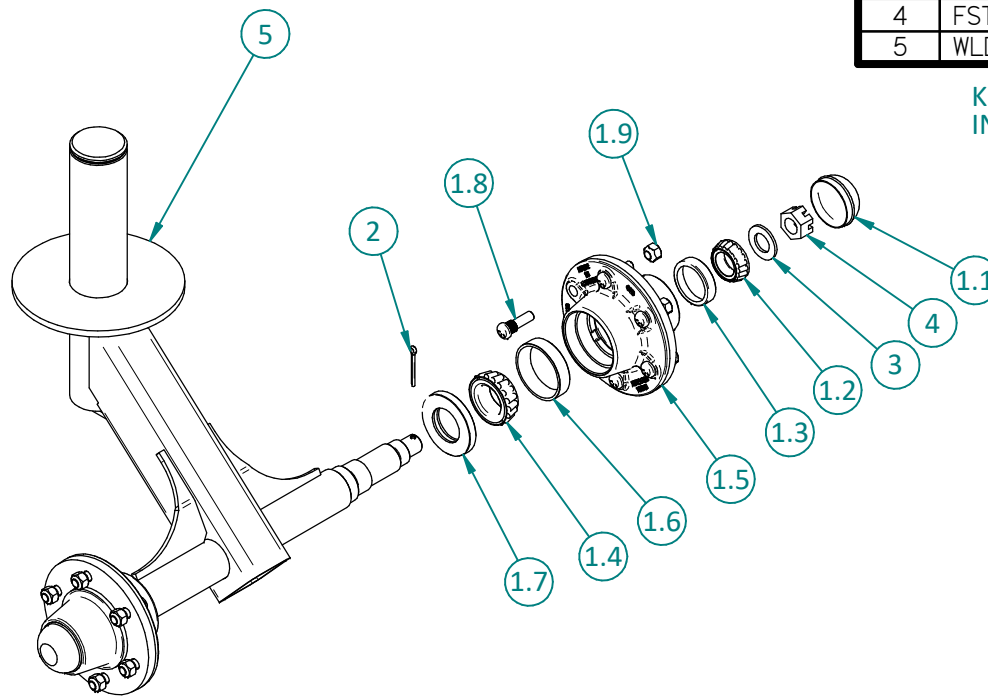
ITEM	PART NO.	DESCRIPTION	QTY
1	CMP100109	BEARING YET 206-104	6
2	CMP100115	CONSPICUITY TAPE RED 2" X 9"	2
3	CMP100128	CONSPICUITY TAPE AMBER 2" X 9"	2
4	CMP100169	FL206 2-BOLT HOUSING	6
5	CMP100171	SLOW MOVING VEHICLE (SMV) SIGN	1
6	ELC100827	LIGHT, LED OVAL RED LSTL72RB	2
7	ELC100828	LIGHT, OVAL LED AMBER LSTL72AB	2
8	FST100135	1/4" LOCK NUT	2
9	FST100151	1/2" FLAT WASHER HARDENED	20
10	FST100169	1/4" X 3/4" CAP SCREW	2
11	FST100173	5/16" LOCK NUT	8
12	FST100174	5/16" FLAT WASHER	16
13	FST100176	5/16" X 1" CAP SCREW	8
14	FST100194	1/2" X 3 1/2" CAP SCREW	8
15	FST100278	5/8" CRIMP NUT	8
16	FST100356	1/2" CRIMP NUT	12
17	FST100397	5/8" X 2" CARRIAGE BOLT GRADE 5	4
18	FST100429	1/2" X 1 3/4" CARRIAGE BOLT	4
19	FST100824	5/8" X 4" CARRIAGE BOLT	4
20	PCT101521	BEARING CAP	2
21	SAF100761	SIS DECAL METRIC	1
22	SAF100764	SIS DECAL US	1
23	WLD101127	CENTER ROLLER WELDT	1
24	WLD101169	WING TAPERED ROLLER WELDT	2
25	WLD101264	CENTER TAILPIECE WELDT	1
26	WLD101294	LIGHT HOLDER RH	1
27	WLD101314	LIGHT HOLDER LH	1

AC5130/5150

CASTER ASSEMBLY 618

ASM101052

ITEM	PART NO.	DESCRIPTION	QTY
1	CMP100203	HUB HA618-7	2
1.1	CMP101005	DUST CAP DC15	1
1.2	CMP101007	BEARING, HA614 HUB OUTER, LM48548	1
1.3	CMP101032	RACE, HA614 OUTER, LM48510	1
1.4	CMP101066	BEARING, HA618 HUB INNER, 25580	1
1.5	CMP101067	HOUSING, H618	1
1.6	CMP101068	RACE, HA618 HUB INNER, 25520	1
1.7	CMP101069	GREASE SEAL, SE-30	1
1.8	CMP101070	WHEEL STUD, WB16	6
1.9	CMP101071	1/2-20 UNF WHEEL NUT, WB11	6
2	FST100220	3/16" X 2" COTTER PIN	2
3	FST100262	1" HARDENED WASHER F436	2
4	FST100330	1" CASTLE NUT 14 UNC	2
5	WLD101229	618 FLAT CASTER WELDMENT	1



KIT100579: HA618 HUB REBUILD KIT
INCLUDES ITEM 1.2, 1.3, 1.4, 1.6, 1.7

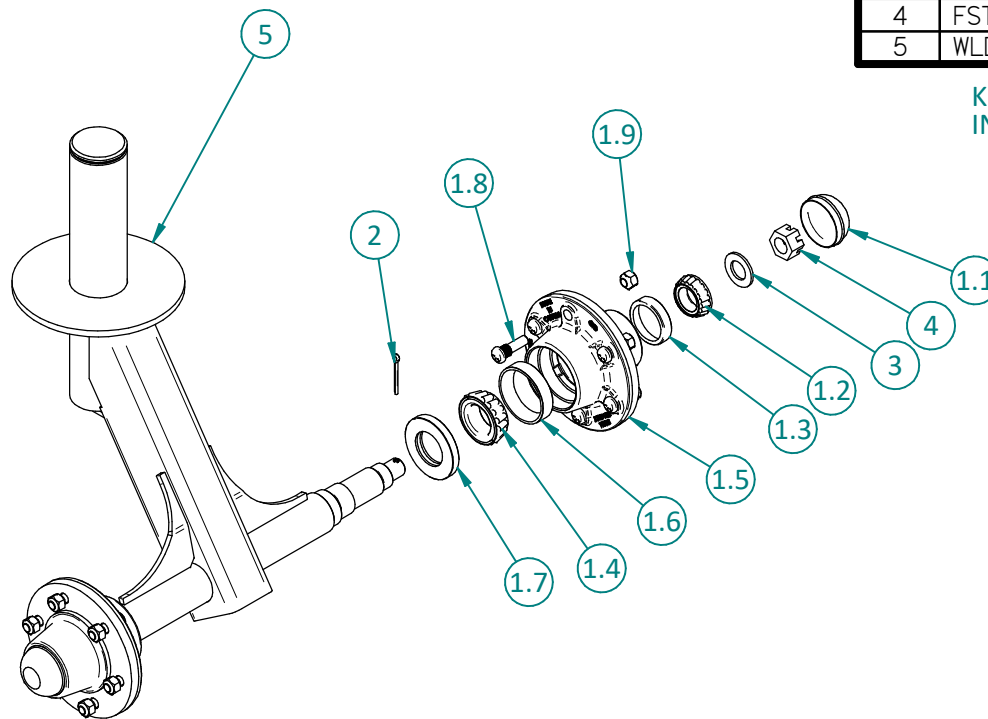
AC5130/5150

TALL 618 CASTER ASSEMBLY

ASM101083

ITEM	PART NO.	DESCRIPTION	QTY
1	CMP100203	HUB HA618-7	2
1.1	CMP101005	DUST CAP DC15	1
1.2	CMP101007	BEARING, HA614 HUB OUTER, LM48548	1
1.3	CMP101032	RACE, HA614 OUTER, LM48510	1
1.4	CMP101066	BEARING, HA618 HUB INNER, 25580	1
1.5	CMP101067	HOUSING, H618	1
1.6	CMP101068	RACE, HA618 HUB INNER, 25520	1
1.7	CMP101069	GREASE SEAL, SE-30	1
1.8	CMP101070	WHEEL STUD, WB16	6
1.9	CMP101071	1/2-20 UNF WHEEL NUT, WB11	6
2	FST100220	3/16" X 2" COTTER PIN	2
3	FST100262	1" HARDENED WASHER F436	2
4	FST100330	1" CASTLE NUT 14 UNC	2
5	WLD101330	TALL 618 CASTER WELDMENT	1

KIT100579: HA618 HUB REBUILD KIT
INCLUDES ITEM 1.2, 1.3, 1.4, 1.6, 1.7

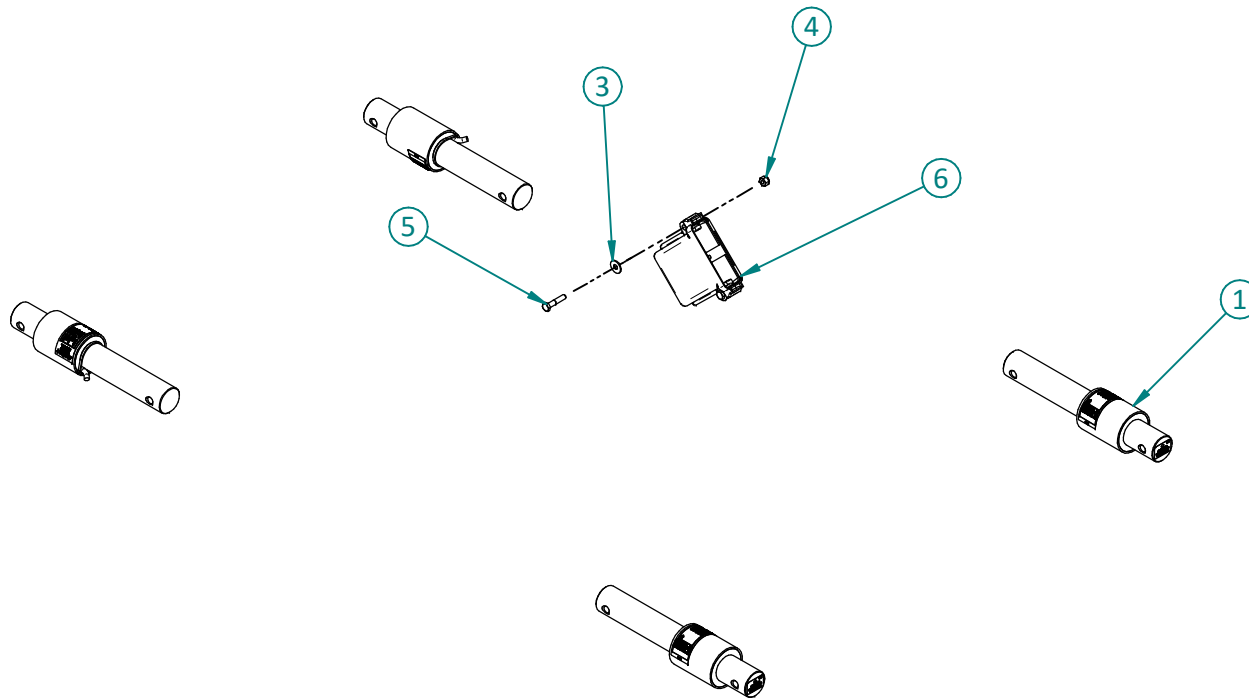


AC5130/5150

SCALE FOLD. FLAT ACCUMULATOR

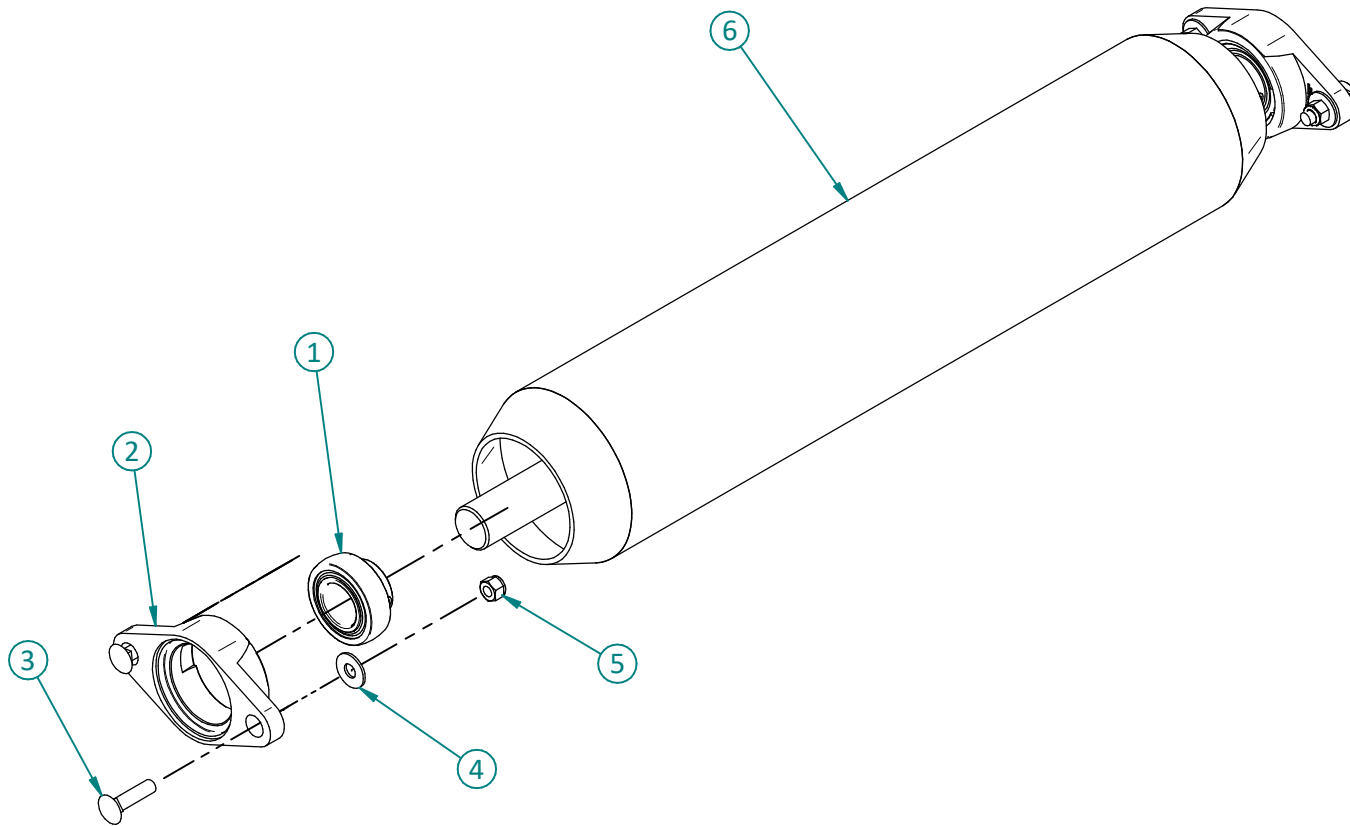
KIT100548

ITEM	PART NO.	DESCRIPTION	QTY
1	ELCI00321	LOAD CELL 2500 LB	4
2*	ELCI00829	MERLIN WIRE HARNESS	1
3	FSTI00134	1/4" FLAT WASHER	2
4	FSTI00135	1/4" LOCK NUT	2
5	FSTI00170	1/4" X 1 1/4" CAP SCREW	2
6	KIT100520	MERLIN SCALE CONTROLLER KIT	1



AC5130/5150 BALAGE KIT FOLD. FLAT ACCUMULATOR KIT100549

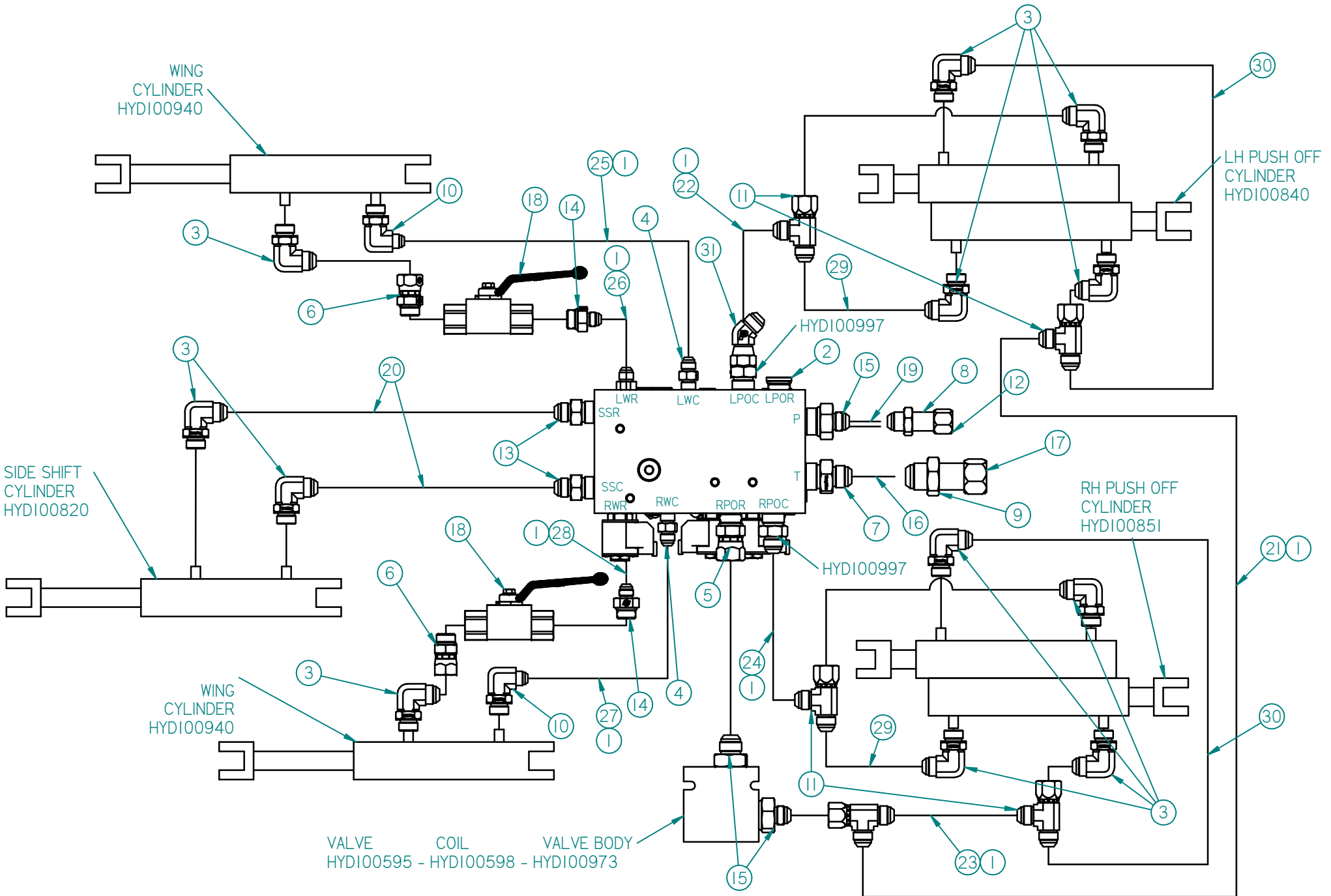
ITEM	PART NO.	DESCRIPTION	QTY
1	CMPI00109	BEARING YET 206-104	2
2	CMPI00169	FL206 2-BOLT HOUSING	2
3	FSTI00147	3/8" x 1 1/2" CARRIAGE BOLT	4
4	FSTI00150	3/8" FLAT WASHER	4
5	FSTI00206	3/8" LOCKNUT	4
6	WLD101172	CENTER ROLLER	1



AC5130/5150

HOSE KIT, AC51 SERIES

HYDI00949



AC5130/5150

HOSE KIT, AC51 SERIES

HYDI00949

Item	Part NO.	Description	QTY
1	CMPI01117	HOSE SLEEVE	4
2	HYDI00174	ST PLUG 10 MORB	1
3	HYDI00337	ST ELBOW 90 DEG 08 MJIC X 08 MORB	12
4	HYDI00338	ST ADAPTER 06 MJIC X 06 MORB	2
5	HYDI00346	ST ADAPTER 10 MORB X 10 FJIC	1
6	HYDI00365	ST ADAPTER 08 MORB X 08 FJIC	2
7	HYDI00389	ST ADAPTER 10 MJIC X 12 MORB	2
8	HYDI00392	ST BULKHEAD 08 MJIC X 08 MJIC	1
9	HYDI00393	ST BULKHEAD 12 MJIC X 12 MJIC	1
10	HYDI00398	ST ELBOW 90 DEG 06 MJIC X 08 MORB	2
11	HYDI00464	ST TEE RUN 08 MJIC X 08 FJIC	5
12	HYDI00530	ST CAP 08 FJIC	1
13	HYDI00534	ST ADAPTER 08 MJIC X 10 MORB	2
14	HYDI00563	ST ADAPTER 06 MJIC X 08 MORB	2
15	HYDI00578	ST ADAPTER 08 MJIC X 12 MORB	2
16	HYDI00581	AC3106 / 4106 RETURN HOSE	1
17	HYDI00594	ST CAP 12 FJIC	1
18	HYDI00825	ST VALVE BALL 08 FORB X 08 FORB	2
19	HYDI00950	AC5130/5150 MAIN PRESSURE HOSE	1
20	HYDI00951	AC4106 SIDE SHIFT HOSE	2
21	HYDI00952	AC51 LH PUSH OFF HOSE ROD END	1
22	HYDI00953	AC51 LH PUSH OFF HOSE CAP END	1
23	HYDI00954	AC51 RH PUSH OFF HOSE ROD END	1
24	HYDI00955	AC51 RH PUSH OFF HOSE CAP END	1
25	HYDI00956	AC51 LH WING HOSE CAP END	1
26	HYDI00957	AC51 LH WING HOSE ROD END	1
27	HYDI00958	AC51 RH WING HOSE CAP END	1
28	HYDI00959	AC51 RH WING HOSE ROD END	1
29	HYDI00960	AC51 PUSH OFF CROSS HOSE	2
30	HYDI00975	AC51 PUSH OFF CROSS HOSE	2
31	HYDI00999	ST ELBOW 45 DEG 08 MJIC X 08 MORB	1
	KIT100413	HOSE ACC. TO TRACTOR 35' (2014)	
	KIT100421	HOSE ACC. TO TRACTOR 38' (2014)	

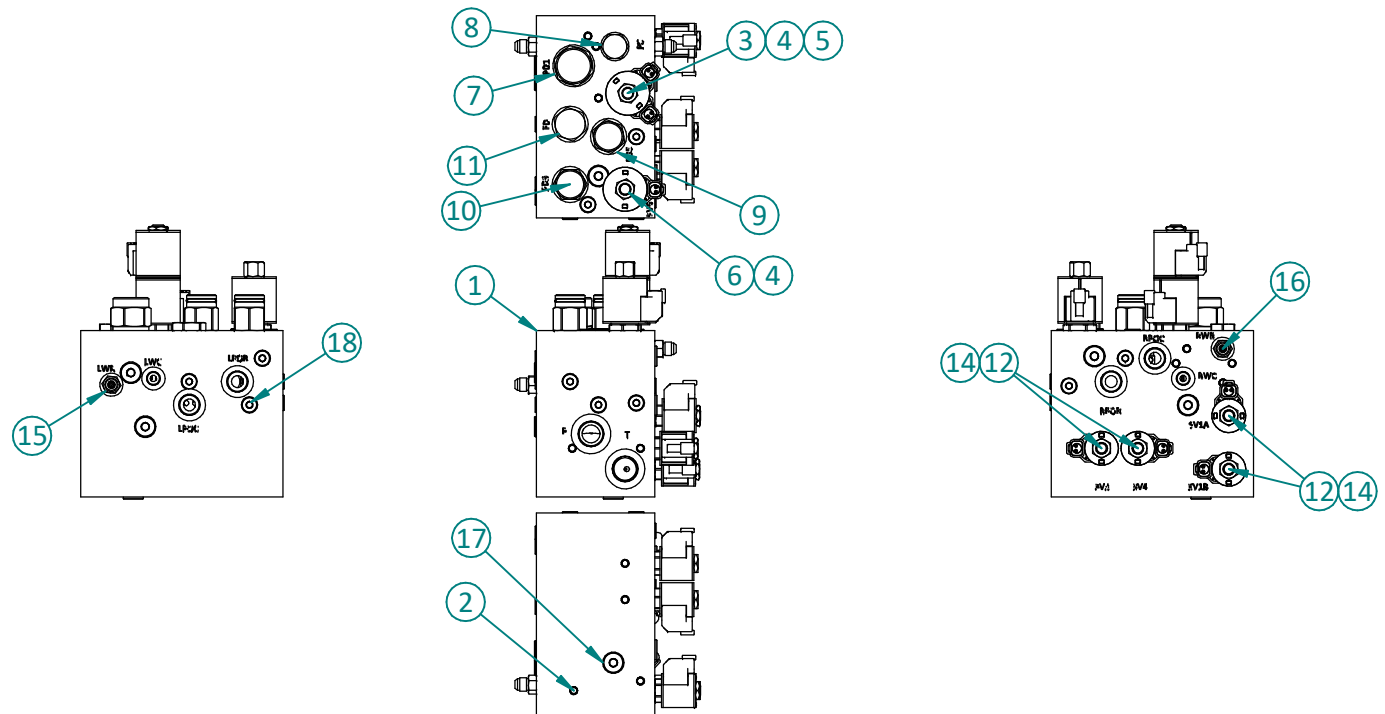
HYDRAULIC CYLINDERS		
Item	Part NO.	Description
N/A	HYDI00820	CYL 2.5 X 36
	HYDI00608	SEAL KIT AC3104 SS CYL
N/A	HYDI00840	CYL 2.0 X 48 X 1.25 ROD DUAL LH
	HYDI00864	SEAL KIT, CYL 2.0 X 48 X 1.25 ROD DUAL
N/A	HYDI00851	CYL 2.0 X 48 X 1.25 ROD DUAL RH
	HYDI00864	SEAL KIT, CYL 2.0 X 48 X 1.25 ROD DUAL
N/A	HYDI00940	CYL 2.5 X 16
	HYDI00778	SEAL KIT FOR WAJAX / HYSPEC CYLINDER 1.5" ROD

AC5130/5150

VALVE BLOCK FOLDING ACC

HYD100868

ITEM	PART NO.	REF. NO.	DESCRIPTION	QTY	TORQUE [FTLB]	SEAL KIT
1	-	I90335M-A	JEM MANIFOLD BLOCK	1	N/A	N/A
2	-	HWI0286-080	EXPANDER PLUG, 8 MM	21	N/A	N/A
3	HYD100427	SV10-47D-0-N-00	SOLENOID VALVE, 4W/3P, MOTOR SPOOL	1	25	HYD100436
4	HYD100598	4303712	12 VDC, -10 SIZE E-COIL, DEUTSCH	3	5	N/A
5	HYD100970	4539700	-10 SIZE E-COIL SPACER	1	N/A	N/A
6	HYD100426	SV12-21-0-N-00	2/2 N.O. SOLENOID VALVE	1	35	HYD100435
7	HYD100601	PDI6-S67C-0-N-170	DIRECTIONAL VALVE	1	50	HYD100962
8	HYD100961	PCI0-30-0-N	VALVE, P.O. CHECK, 30 PSI SPRING, BUNA	1	25	HYD100963
9	HYD100964	PDI2-41-0-N-110	PILOT DIRECTIONAL VALVE	1	35	HYD100965
10	HYD100966	PDI2-41-0-N-170	PILOT DIRECTIONAL VALVE	1	35	HYD100965
11	HYD100968	FD52-45-0-N-66	FLOW DIVIDER/COMBINER	1	75	HYD100965
12	HYD100597	SV08-31-0-N-00	3/2 SOLENOID VALVE	1	20	HYD100616
13	HYD100338	6 F50X-S	STRAIGHT FITTING ADAPTER, -06 MJIC X -06 MORB	1	25	N/A
14	HYD100599	4303612	12 VDC, -08 SIZE E-COIL, DEUTSCH	4	5	N/A
15	-	6112046	0.046 ORIFICE, 3/8-16	2	N/A	N/A
16	-	6112040	0.040 ORIFICE, 3/8-16	4	N/A	N/A
17	-	6118008	ZERO-LEAK PLUG, SAE-08	1	50	N/A
18	-	6118006	ZERO-LEAK PLUG, SAE-06	10	25	N/A

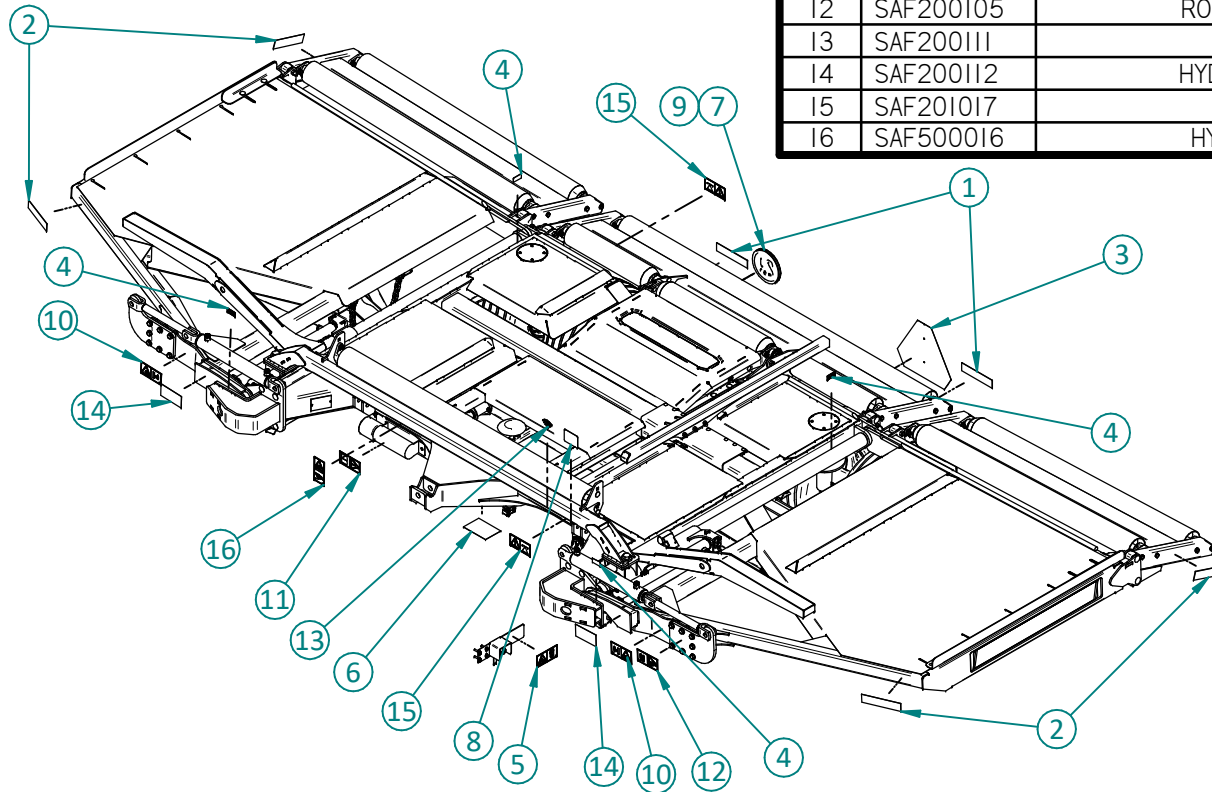


AC5130/5150

AC5150 ACCUMULATOR

WHG101003

ITEM	PART NO.	DESCRIPTION	QTY
1	CMP100115	CONSPICUITY TAPE RED 2" X 9"	2
2	CMP100128	CONSPICUITY TAPE AMBER 2" X 9"	4
3	CMP100171	SLOW MOVING VEHICLE (SMV) SIGN	1
4	CMP500066	DECAL GREASE	4
5	SAF100104	DECAL EMERGENCY SHUT OFF	1
6	SAF100112	DECAL WASH MACHINE	1
7	SAF100761	SIS DECAL METRIC	1
8	SAF100763	HORIZONTAL TRAINING QR DECAL	1
9	SAF100764	SIS DECAL US	1
10	SAF200103	PINCH POINT HAZARD UNDER LIFT IN ACCUMULATOR	2
11	SAF200104	READ SAFETY MANUAL	1
12	SAF200105	ROLL-OVER RISK AT 20 MPH	1
13	SAF200111	WIFI DECAL	1
14	SAF200112	HYDRAULIC LOCKOUT DECAL	2
15	SAF201017	JACK POINT DECAL	2
16	SAF500016	HYDRAULIC SAFETY DECAL	1

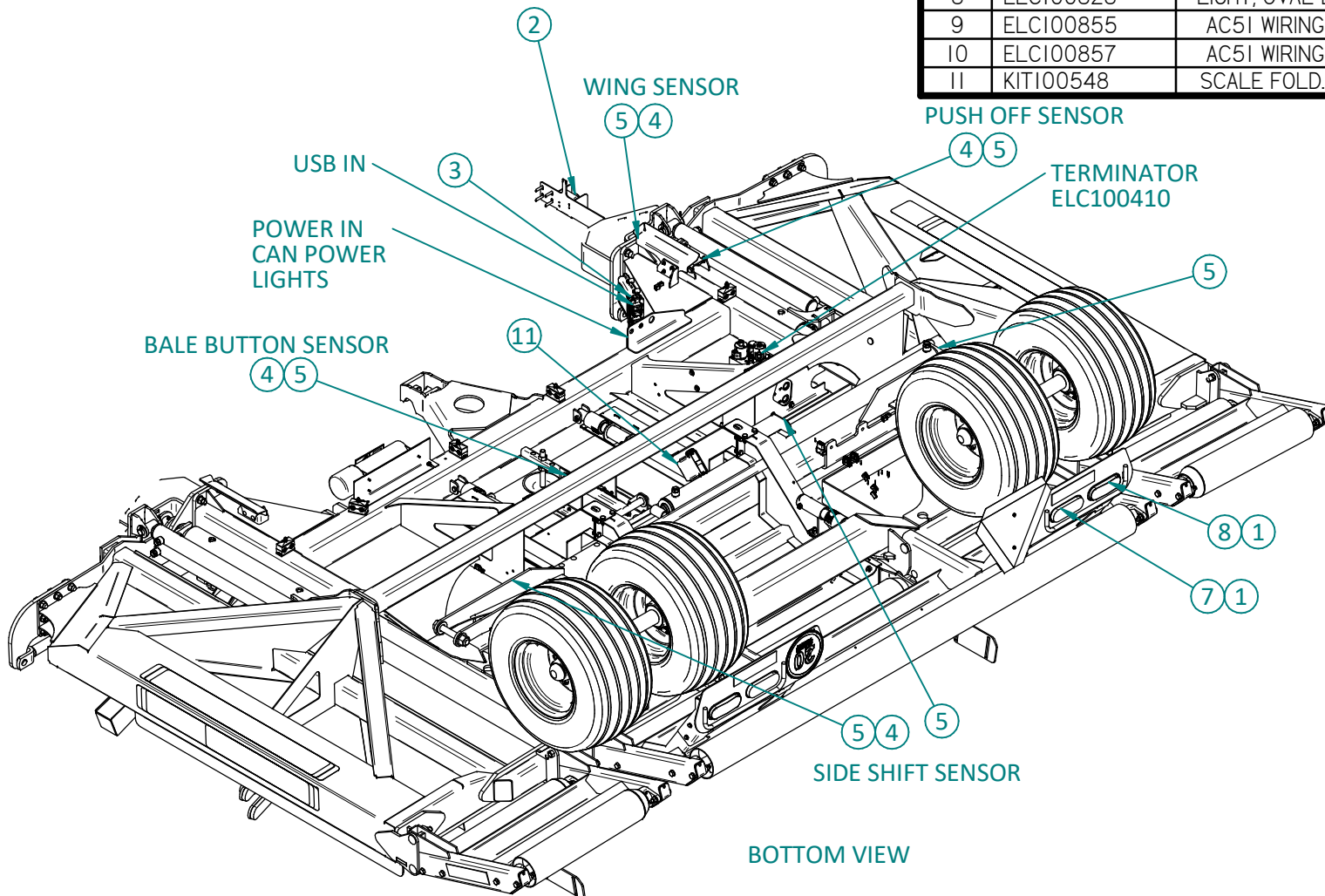


AC5130/5150

ELECTRICAL CONTROL SYSTEM

WHG101004

ITEM	PART NO.	DESCRIPTION	QTY
1	ELCI00183	LIGHT, OVAL GROMMET 92420	4
2	ELCI00480	SAFETY SHUT OF BUTTON	1
3	ELCI00509	FALCON CONTROLLER, WIFI	1
4	ELCI00532	MM-20 PROXIMITY MAGNET	1
5	ELCI00533	PROXIMITY SWITCH ASSEMBLY	6
6	ELCI00825	WIRE HARNESS MAIN, WINGED FLAT	1
7	ELCI00827	LIGHT, LED OVAL RED LSTL72RB	4
8	ELCI00828	LIGHT, OVAL LED AMBER LSTL72AB	4
9	ELCI00855	AC5I WIRING HARNESS - LIGHTING	1
10	ELCI00857	AC5I WIRING HARNESS - LIGHTING	1
11	KIT100548	SCALE FOLD. FLAT ACCUMULATOR	1



This page is intentionally left blank



PhiBer Manufacturing Inc.
Box 58 Crystal City, MB
R0K 0N0 Canada