

The Dash Delivery System



Model: Dash 2.4 & 4.4



INNOVATIONS FOR PROGRESSIVE PEOPLE

PARTS MANUAL

www.phiber.ca

DASH 4.4

DASH MID-MOUNT ASSEMBLY.....	1
MID-MOUNT FRAME.....	2-3
MID-MOUNT STEP.....	4-5
REAR-MOUNT ASSEMBLY.....	6
REAR-MOUNT STEP.....	7
REAR-MOUNT FRAME.....	8-9
LINKAGE.....	10-11
TANKS.....	13
SUCTION.....	14
RINSE.....	15
SCHEMATIC.....	16-17

DASH 2.4

DASH 2.4 ASSEMBLY.....	19
FRAME.....	20-21
LINKAGE.....	22-23
SUCTION FITTINGS.....	25
RINSE FITTINGS.....	26
TANKS.....	27
SCHEMATIC.....	28-29

SINGLE INDUCTOR

DASH I.4 PRIMARY FRAME.....	30-31
DASH I.4 PRIMARY FITTINGS.....	32
DASH I.4 PIRMARY SCHEMATIC.....	33
DASH I.4 SECONDARY FRAME.....	34-35
DASH I.4 SECONDARY FITTINGS.....	36
DASH I.4 SECONDARY SCHEMATIC.....	37

OPTIONS

DS TANK.....	38-39
AH TANK.....	40-41
JUG RINSE KITS (OLD).....	42-43
JUG RINSE KIT (NEW).....	44
TANK KNIFE KIT.....	45
CAGE ASSEMBLIES.....	46-47
BAG HOLDER.....	48
TOTE RINSE KIT.....	49
BOOM ARM KIT.....	50
DUAL BOOM KIT.....	51
SECTIONAL BOOM ARM.....	52
STANDALONE BOOM KIT.....	53
TANK SIGHT GLASS.....	54
AUX BOOM HANDLE.....	55
MANIFOLD ASSEMBLY.....	56
3" FLOW METER.....	57
3" TRAILER BULKHEAD.....	58
LIGHT ASSEMBLY.....	59
TOTE PLATFORMS.....	60-61
TRAILER STEPS.....	62-63
CAGE TOTE TRANSFER HOSES.....	64-65
AUXILIARY REFILL KITS.....	66-67
BOOM BLOWOUT KIT.....	68-69
FIRE NOZZLE KIT.....	70
RAMP KIT.....	71
AIR DIAPHRAGM PUMP KITS.....	72-73
PLATFORM CARGO NET KIT.....	74

60 GAL AIR STORAGE.....75

10' LADDER.....76

JERRY CAN KIT.....77

TANK REFILL KITS.....78-79

TOTE TRANSFER HOSE 10'.....80

AGITATE KIT GEN 2.....81

FILTER KIT DUAL.....82

PRESSURE WASHER KIT.....83

ELLIPTICAL LEG TANKS.....85-92

1065 GAL TANK KIT.....93

735 GAL TANK KIT.....94

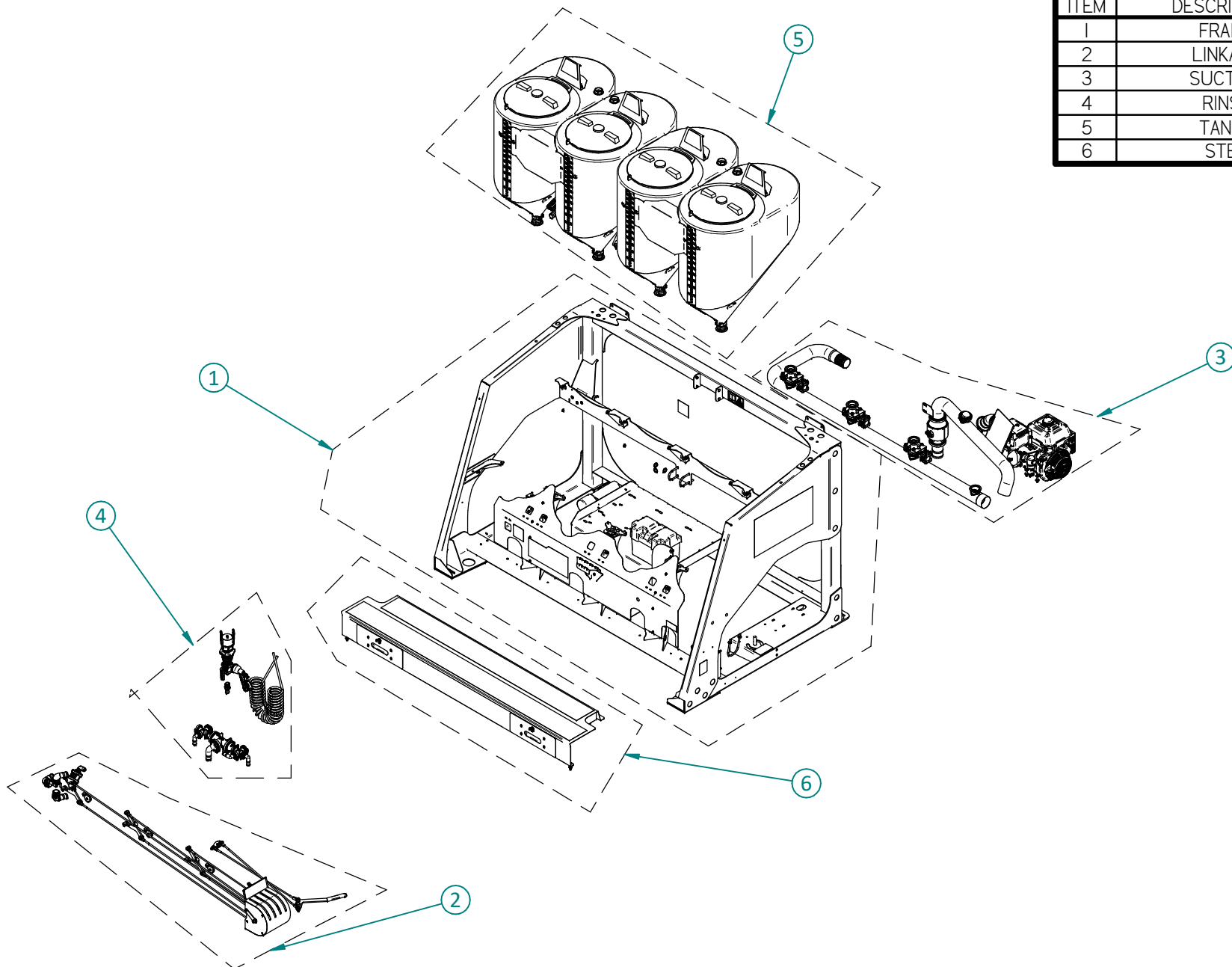
HONDA PUMP KITS.....95-98

4.4

CENTER MOUNT DASH 4.4

KIT400117

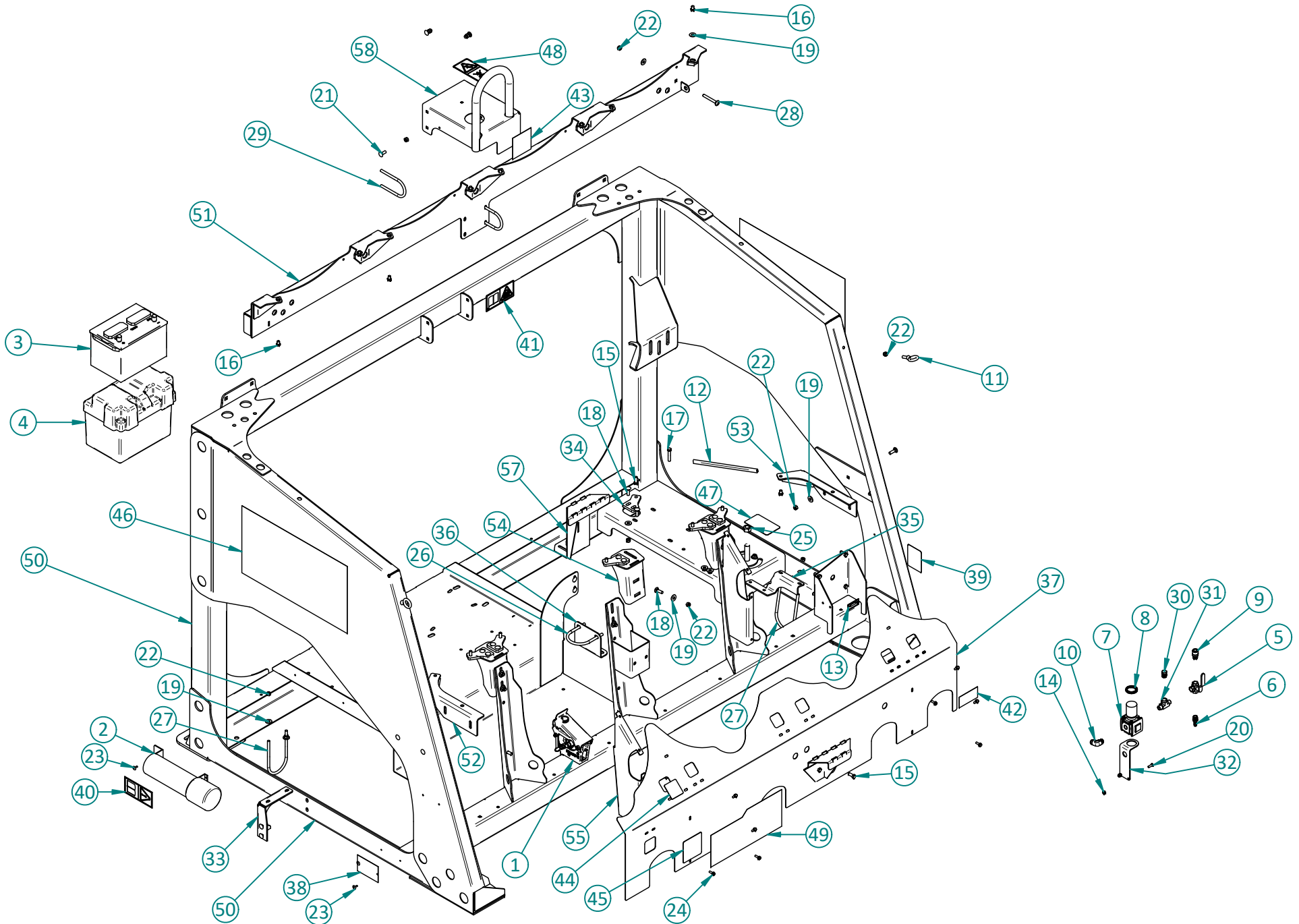
ITEM	DESCRIPTION
1	FRAME
2	LINKAGE
3	SUCTION
4	RINSE
5	TANKS
6	STEP



4.4

CENTER MOUNT DASH 4.4

KIT400117



4.4

CENTER MOUNT DASH 4.4

KIT400117

ITEM	PART NO.	DESCRIPTION	QTY	ITEM	PART NO.	DESCRIPTION	QTY
36	PCT400872	3" VALVE MOUNT BRKT	1	1	ASM400090	FOOT RINSE VALVE ASSY	1
37	PCT400874	MANIFOLD COVER	1	2	CMP100313	MANUAL CANISTER	1
38	SAF100100	SERIAL NUMBER PLATE	1	3	CMP400053	12V BATTERY	1
39	SAF100762	VERTICAL TRAINING QR DECAL	1	4	CMP400058	BATTERY CASE	1
40	SAF200104	READ SAFETY MANUAL	1	5	CMP400254	3/8" THREE WAY BRASS BALL VALVE	1
41	SAF400037	CHEMICAL WARNING READ MANUAL	1	6	CMP400292	BR ADAPTER 3/8" MNPT X 3/8" HB	1
42	SAF400041	MASTER AIR DECAL	1	7	CMP400343	3/8 AIR REGULATOR	1
43	SAF400047	HOSE RINSE DECAL	1	8	CMP400355	PANEL NUT	1
44	SAF400052	AGITATE D DECAL	1	9	CMP400605	BR ADAPTER 3/8" MNPT X 1/2" FPTC DOT	1
45	SAF400056	RINSE SOURCE DECAL	1	10	CMP400619	BR ELBOW 90 DEG 3/8" MNPT X 1/2" FPTC	1
46	SAF400059	PHIBER 12.625" X 23" DECAL	2	11	CMP400687	3/8 X 1 1/4 MACHINED EYEBOLT PLATED	2
47	SAF400062	MASTER WATER DECAL	1	12	CMP400723	3/8" X 9/16" TALL RUBBER TRIM	1
48	SAF400087	DECAL, FALL HAZARD	1	13	CMP500066	DECAL GREASE	1
49	SAF400088	DASH 4.4 DECAL	1	14	FST100135	1/4" LOCK NUT	2
50	WLD400167	FRAME WLDT 4.2	1	15	FST100141	3/8" X 1" CAP SCREW	18
51	WLD400186	REAR TANK MOUNT WLDT	1	16	FST100142	3/8" X 3/4" CAP SCREW	10
52	WLD400196	TANK MOUNT WLDT RH	1	17	FST100143	3/8" X 2" CAP SCREW	1
53	WLD400197	TANK MOUNT WLDT LH	1	18	FST100146	3/8" x 1 1/4" CARRIAGE BOLT	22
54	WLD400206	FRONT TANK MOUNT WLDT	3	19	FST100150	3/8" FLAT WASHER	42
55	WLD400207	MANIFOLD COVER BRACKET WLDT	2	20	FST100169	1/4" x 3/4" CAP SCREW	2
56*	WLD400216	STEP WELDMENT	1	21	FST100199	3/8" x 1" CARRIAGE BOLT	8
57	WLD400277	TOTE STEP	1	22	FST100206	3/8" LOCKNUT	42
58	WLD400279	HANDLE MOUNTING BLOCK	1	23	FST100228	POP RIVET STEEL 3/16 X 1/2 X 5/8 HEAD	4
				24	FST100247	1/4" X 3/4" FLANGE BOLTS	8
				25	FST100405	3/4" CRIMP NUT	1
				26	FST100826	3/8" X 3 1/2" X 4 3/4" U-BOLT	1
				27	FST100891	3/8" X 3 1/2" X 6 3/4" U-BOLT	2
				28	FST100896	3/8 X 3 CARRIAGE BOLT	6
				29	FST100899	3/8" X 2 1/2" X 5" U-BOLT	2
				30	HYD100152	ST PLUG 06 MNPT	1
				31	HYD100852	ST TEE BRANCH 06 MNPT X 06 FNPT	1
				32	PCT400331	REGULATOR MOUNT BRKT	1
				33	PCT400533	MANIFOLD SUPPORT BRACKET	1
				34	PCT400632	TANK MOUNT PLATE	6
				35	PCT400755	MANIFOLD MOUNT BRKT	1

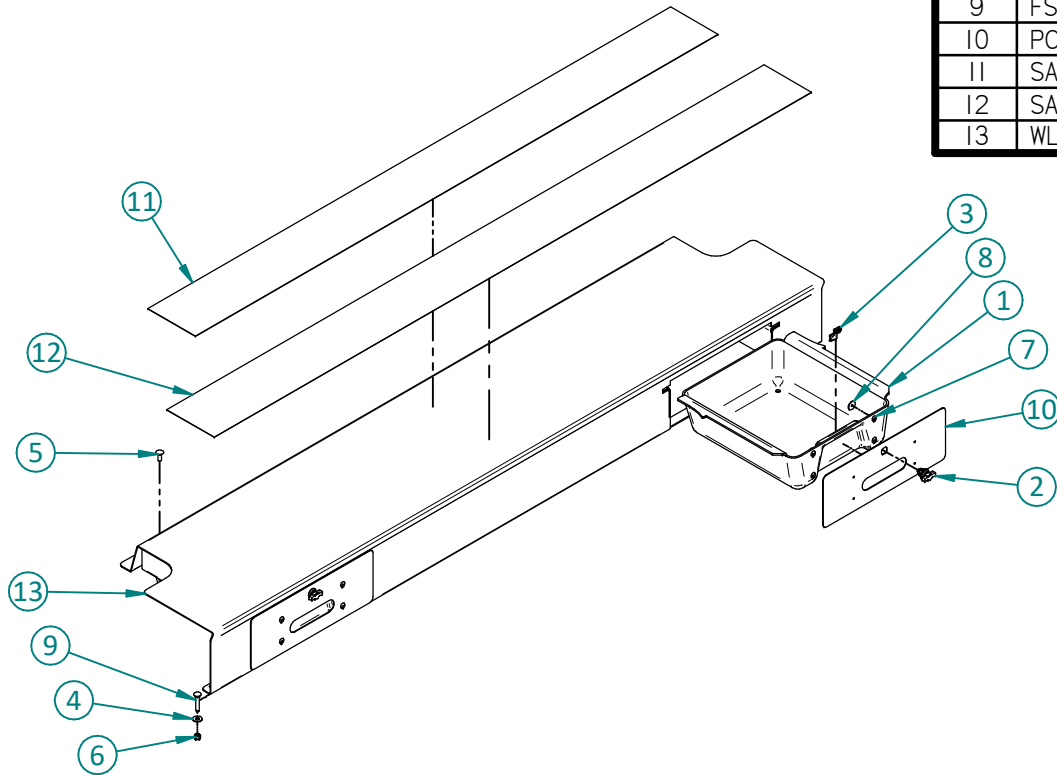
4.4

CENTER MOUNT DASH 4.4

KIT400117

SERIAL #XXXXX240395 AND ABOVE

ITEM	PART NO.	DESCRIPTION	QTY
1	CMP400798	PLASTIC STEP BOX	2
2	CMP400808	QUARTER TURN WING KNOB	2
3	CMP400809	CAM LOCK	2
4	FSTI00150	3/8" FLAT WASHER	4
5	FSTI00199	3/8" x 1" CARRIAGE BOLT	2
6	FSTI00206	3/8" LOCKNUT	4
7	FSTI00228	POP RIVET STEEL 3/16 X 1/2 X 5/8	8
8	FSTI00298	3/16" FENDER WASHER	8
9	FSTI00403	3/8" X 2" CARRIAGE BOLT	2
10	PCT400947	DRAWER FACE PLATE	2
11	SAF400071	DASH 4 STEP ANTI SLIP SHARP CORNER	1
12	SAF400073	DASH 4 STEP ANTI SLIP SHARP CORNER	1
13	WLD400299	WORK STEP WELDT DASH 4.X GEN 3	1



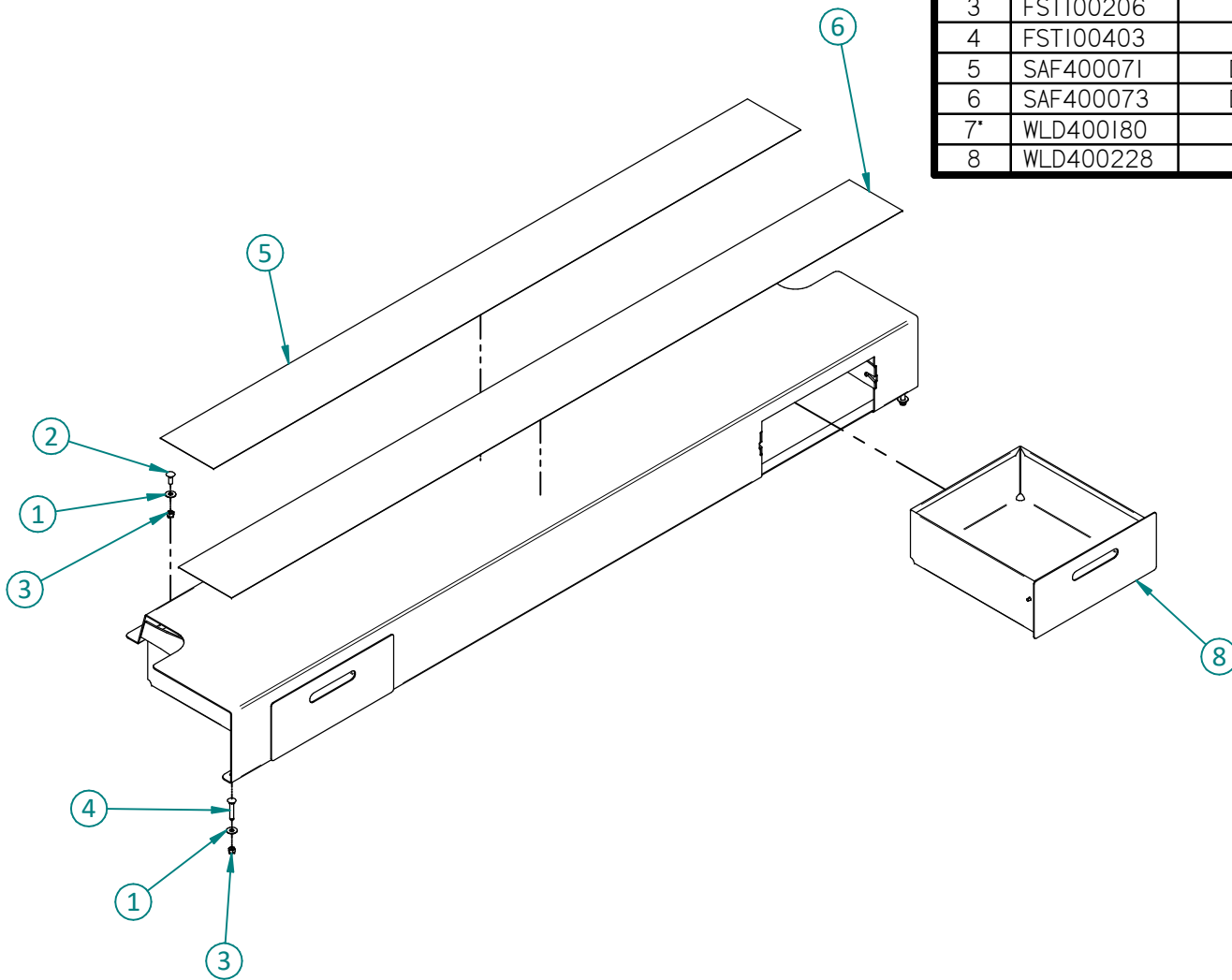
2.4 / 4.4

CENTER MOUNT DASH 4.4

KIT400117

SERIAL #XXXXX240394 AND BELOW

ITEM	PART NO.	DESCRIPTION	QTY
1	FST100150	3/8" FLAT WASHER	4
2	FST100199	3/8" x 1" CARRIAGE BOLT	2
3	FST100206	3/8" LOCKNUT	4
4	FST100403	3/8" X 2" CARRIAGE BOLT	2
5	SAF400071	DASH 4 STEP ANTI SLIP SHARP CORNER	1
6	SAF400073	DASH 4 STEP ANTI SLIP SHARP CORNER	1
7	WLD400180	WORK STEP WELD DASH 4.X GEN 2	1
8	WLD400228	STEP DRAWER WLDT	2

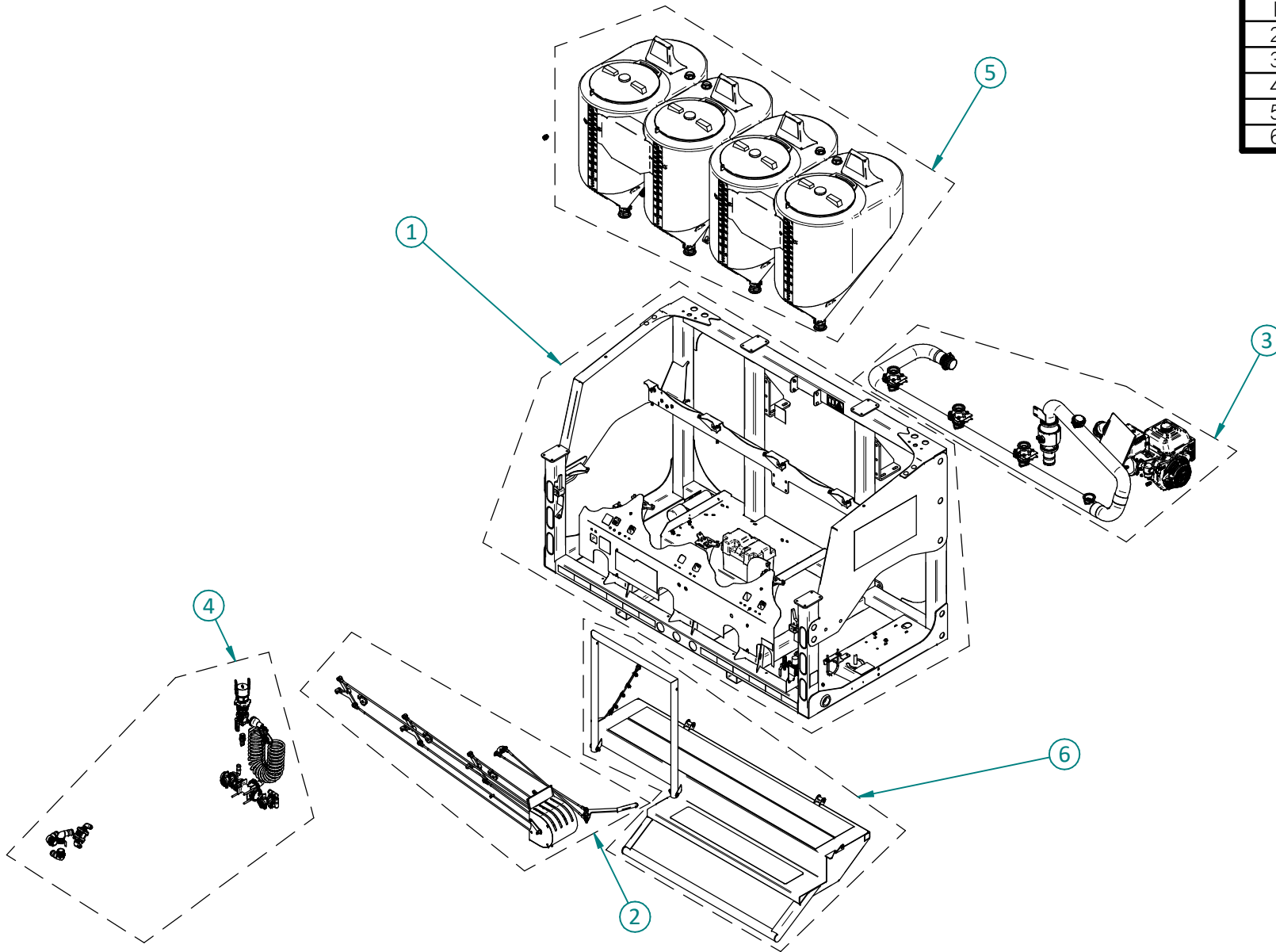


4.4

REAR MOUNT DASH 4.4

KIT400125

ITEM	DESCRIPTION
1	FRAME
2	LINKAGE
3	SUCTION
4	RINSE
5	TANKS
6	STEP

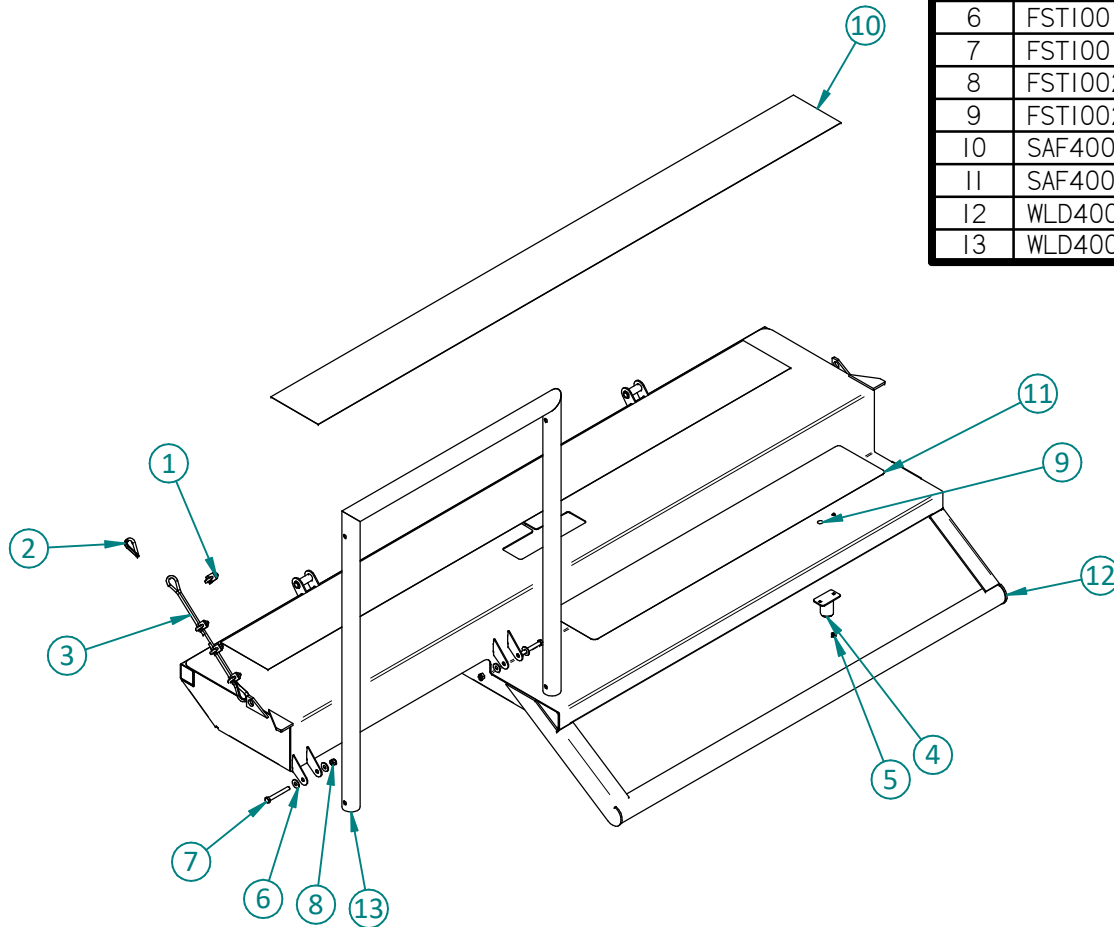


4.4

REAR MOUNT DASH 4.4

KIT400125

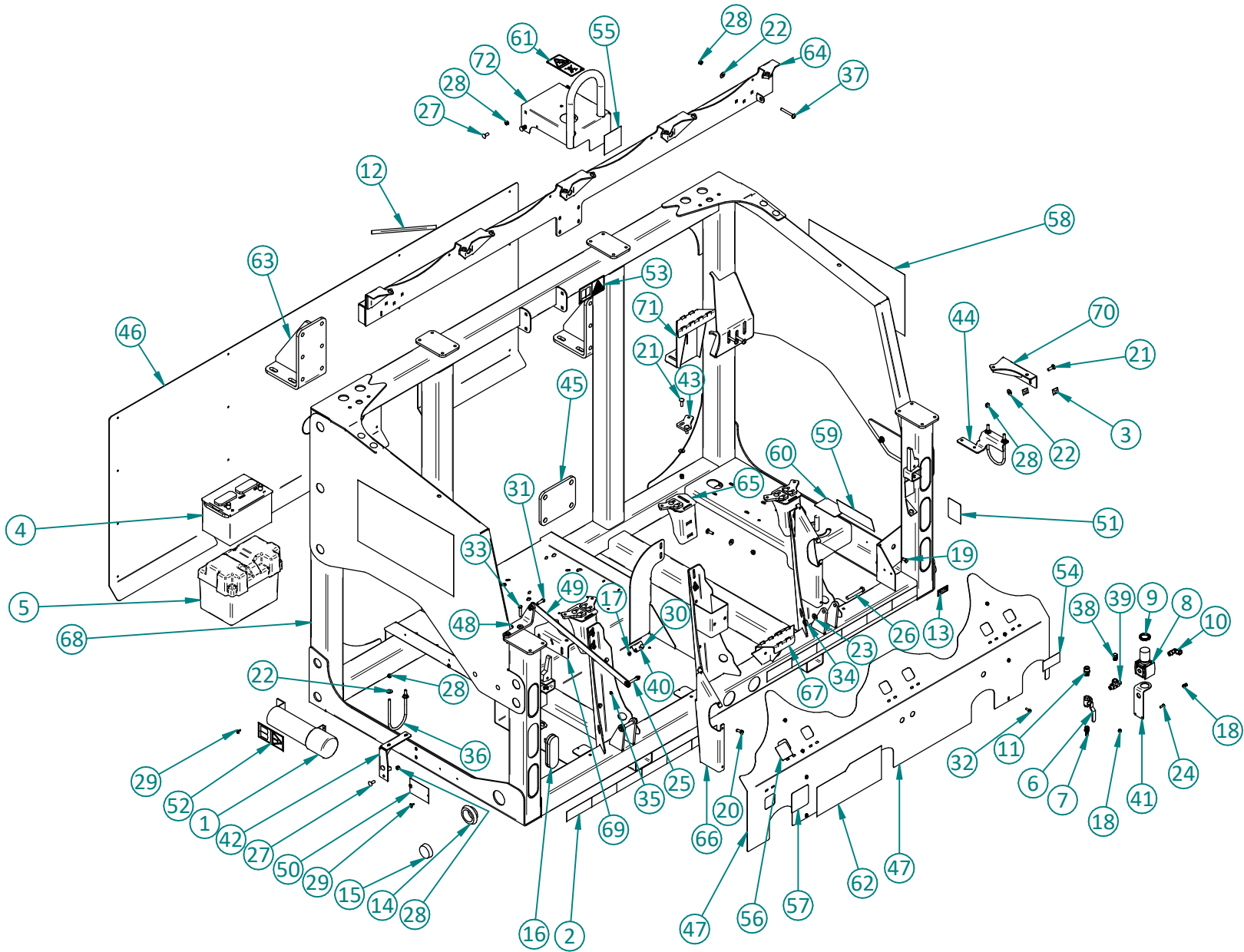
ITEM	PART NO.	DESCRIPTION	QTY
1	CMP400751	1/4" WIRE ROPE CLAMP	4
2	CMP400752	1/4" ROPE THIMBLE	2
3	CMP400753	1/4 WIRE ROPE, 7 X 19	1
4	ELC400005	REAR MOUNT DASH LIGHTING HARNESS	1
5	FST100135	1/4" LOCK NUT	2
6	FST100150	3/8" FLAT WASHER	4
7	FST100182	3/8" X 3" CAP SCREW	2
8	FST100206	3/8" LOCKNUT	2
9	FST100233	1/4" X 3/4" CARRIAGE BOLT	2
10	SAF400071	DASH 4 STEP ANTI SLIP SHARP CORNER	2
11	SAF400080	DASH 2 STEP ANTI SLIP ROUND CORNER	1
12	WLD400280	END GATE WLDT	1
13	WLD400283	RAILING WLDT	1



4.4

REAR MOUNT DASH 4.4

KIT400125



4.4

REAR MOUNT DASH 4.4

KIT400125

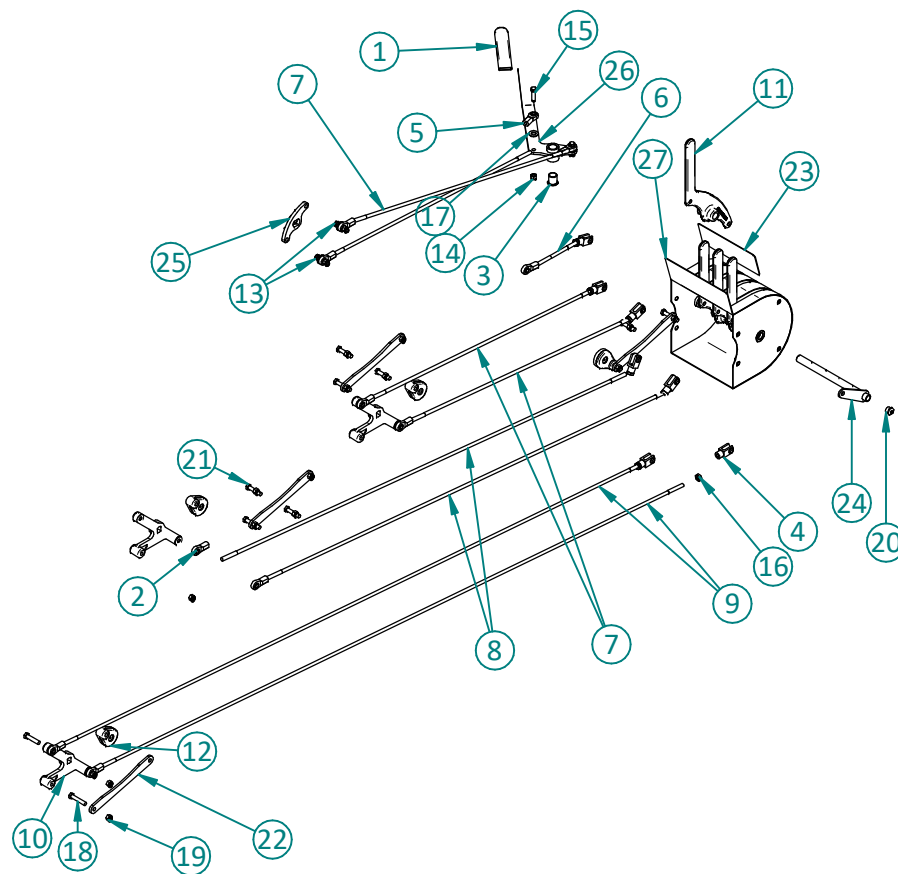
ITEM	PART NO.	DESCRIPTION	QTY	ITEM	PART NO.	DESCRIPTION	QTY
41	PCT400331	REGULATOR MOUNT BRKT	1	1	CMP100313	MANUAL CANISTER	1
42	PCT400533	MANIFOLD SUPPORT BRACKET	1	2	CMP100320	CONSPICUITY TAPE - RED/WHITE	2
43	PCT400632	TANK MOUNT PLATE	6	3	CMP101126	ZIP TIE MOUNT, ADHESIVE	2
44	PCT400755	MANIFOLD MOUNT BRKT	1	4	CMP400053	12V BATTERY	1
45	PCT400779	MOUNTING PLATE	2	5	CMP400058	BATTERY CASE	1
46	PCT400808	REAR ROCK GUARD	1	6	CMP400254	3/8" THREE WAY BRASS BALL VALVE	1
47	PCT400874	MANIFOLD COVER	1	7	CMP400292	BR ADAPTER 3/8" MNPT X 3/8" HB	1
48	PCT400883	LINKAGE MOUNT PLATE	1	8	CMP400343	3/8 AIR REGULATOR	1
49	PCT400892	LINKAGE PLATE	1	9	CMP400355	PANEL NUT	1
50	SAF100100	SERIAL NUMBER PLATE	1	10	CMP400517	BR ELBOW 90 DEG 1/2" COMP X 3/8" MNPT	1
51	SAF100762	VERTICAL TRAINING QR DECAL	1	11	CMP400605	BR ADAPTER 3/8" MNPT X 1/2" FPTC DOT	1
52	SAF200104	READ SAFETY MANUAL	1	12	CMP400723	3/8" X 9/16" TALL RUBBER TRIM	1
53	SAF400037	CHEMICAL WARNING READ MANUAL	1	13	CMP500066	DECAL GREASE	1
54	SAF400041	MASTER AIR DECAL	1	14	ELC-100332	LIGHT, OPEN GROMMET 2 1/2"- 3D2	2
55	SAF400047	HOSE RINSE DECAL	1	15	ELC100797	LIGHT, ROUND RED 13 LED 2 1/2"- 3C4	6
56	SAF400052	AGITATE D DECAL	1	16	ELC100827	LIGHT, LED OVAL RED LSTL72RB	6
57	SAF400056	RINSE SOURCE DECAL	1	17	FST100129	1/4" FLANGE NUT	2
58	SAF400059	PHIBER 12.625" X 23" DECAL	2	18	FST100135	1/4" LOCK NUT	2
59	SAF400061	LEVER DECAL	1	19	FST100140	3/8" X 3/4" CAP SCREW	4
60	SAF400062	MASTER WATER DECAL	1	20	FST100141	3/8" X 1" CAP SCREW	4
61	SAF400087	DECAL, FALL HAZARD	1	21	FST100146	3/8" x 1 1/4" CARRIAGE BOLT	22
62	SAF400088	DASH 4.4 DECAL	1	22	FST100150	3/8" FLAT WASHER	39
63	WLD400093	DASH ATTACHMENT WELDT	2	23	FST100151	1/2" FLAT WASHER HARDENED	4
64	WLD400186	REAR TANK MOUNT WLDT	1	24	FST100169	1/4" x 3/4" CAP SCREW	2
65	WLD400206	FRONT TANK MOUNT WLDT	3	25	FST100182	3/8" X 3" CAP SCREW	1
66	WLD400207	MANIFOLD COVER BRACKET WLDT	2	26	FST100194	1/2" X 3 1/2" CAP SCREW	2
67	WLD400216	STEP WELDMENT	1	27	FST100199	3/8" x 1" CARRIAGE BOLT	6
68	WLD400235	REAR FRAME WLDT 4.2	1	28	FST100206	3/8" LOCKNUT	42
69	WLD400254	TANK MOUNT WLDT RH	1	29	FST100228	POP RIVET STEEL 3/16 X 1/2 X 5/8 HEAD	4
70	WLD400255	TANK MOUNT WLDT LH	1	30	FST100233	1/4" X 3/4" CARRIAGE BOLT	2
71	WLD400277	TOTE STEP	1	31	FST100241	3/8" X 1 1/4" CAP SCREW	2
72	WLD400279	HANDLE MOUNTING BLOCK	1	32	FST100247	1/4" X 3/4" FLANGE BOLTS	8
				33	FST100281	3/8" X 1 3/4" BOLT	2
				34	FST100356	1/2" CRIMP NUT	1
				35	FST100733	3/8" NYLON FLAT WASHER	2
				36	FST100891	3/8" X 3 1/2" X 6 3/4" U-BOLT	2
				37	FST100896	3/8 X 3 CARRIAGE BOLT	6
				38	HYD100152	ST PLUG 06 MNPT	1
				39	HYD100852	ST TEE BRANCH 06 MNPT X 06 FNPT	1
				40	PCT400034	VALVE MOUNT BRKT	1

4.4

CENTER MOUNT DASH 4.4

KIT400117

SERIAL #XXXXX230292 AND ABOVE



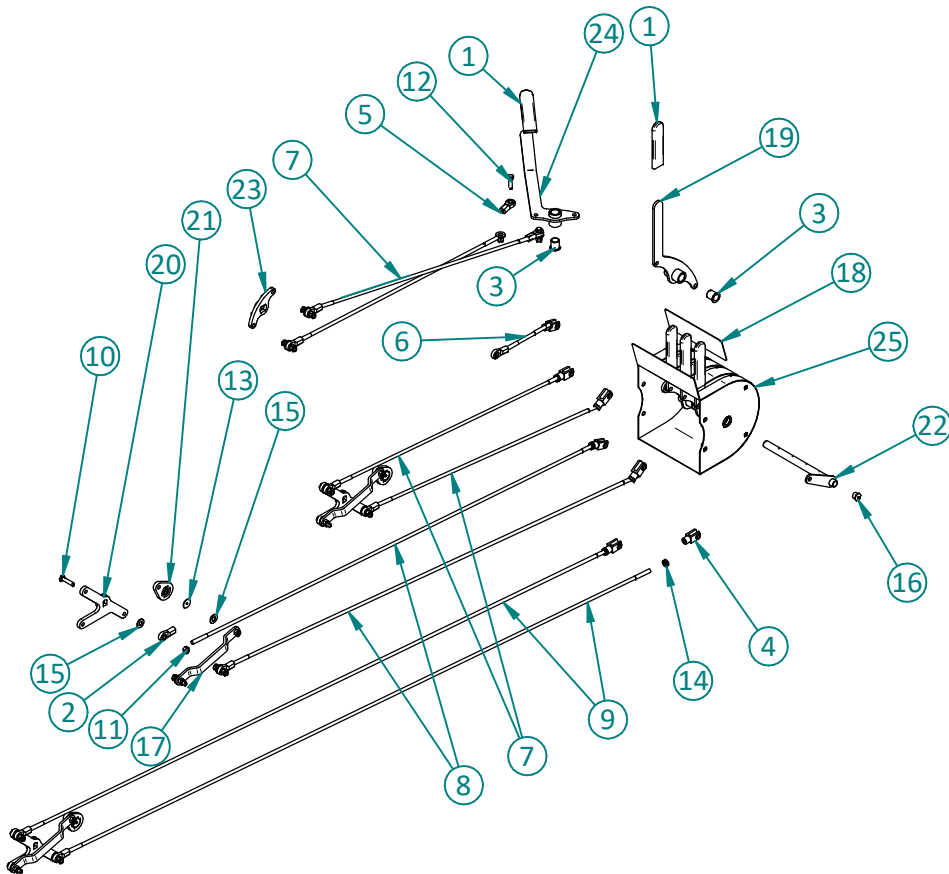
ITEM	PART NO.	DESCRIPTION	QTY
1	CMP400040	HAND GRIP	1
2	CMP400132	3/8 LH ROD END	9
3	CMP400172	FLANGE BUSHING .750" X .875" X 1.000"	1
4	CMP400173	3/8 CLEVIS W/ PIN AND CIRCLIP	7
5	CMP400473	3/8 RH ROD END	2
6	CMP400523	TANK H SHUT OFF LINK	1
7	CMP400524	TANK S SHUT OFF LINK	4
8	CMP400525	TANK A SHUT OFF LINK	2
9	CMP400526	TANK D SHUT OFF LINK	2
10	CMP400742	TANK LINK ARM INJECTION MOLDED	3
11	CMP400743	DASH LEVER ARM MOLDED	4
12	CMP400749	VALVE LINK MOLD	4
13	FST100201	3/8" X 1 1/2" CAP SCREW	2
14	FST100206	3/8" LOCKNUT	4
15	FST100241	3/8" X 1 1/4" CAP SCREW	2
16	FST100379	3/8" UNF JAM NUT	7
17	FST100732	1/2" NYLON FLAT WASHER	4
18	FST100900	3/8" X 2" STAINLESS STEEL CAP SCREW	4
19	FST100909	3/8" SS LOCKNUT	15
20	FST100915	GREASE ZERK 3/8" -18 PIPE(INPT)	1
21	FST100928	3/8" X 1-3/4" SS CAP SCREW	8
22	PCT400920	CONNECTING LINK PLATE	4
23	SAF400061	LEVER DECAL	1
24	WLD400117	LINKAGE PIN WELDT	1
25	WLD400165	MAIN SHUT OFF LINK WELDT	1
26	WLD400171	MAIN SHUT OFF WELDT	1
27	WLD400211	LINK CASE WELDT	1

4.4

CENTER MOUNT DASH 4.4

KIT400117

SERIAL #XXXXX23091 AND BELOW



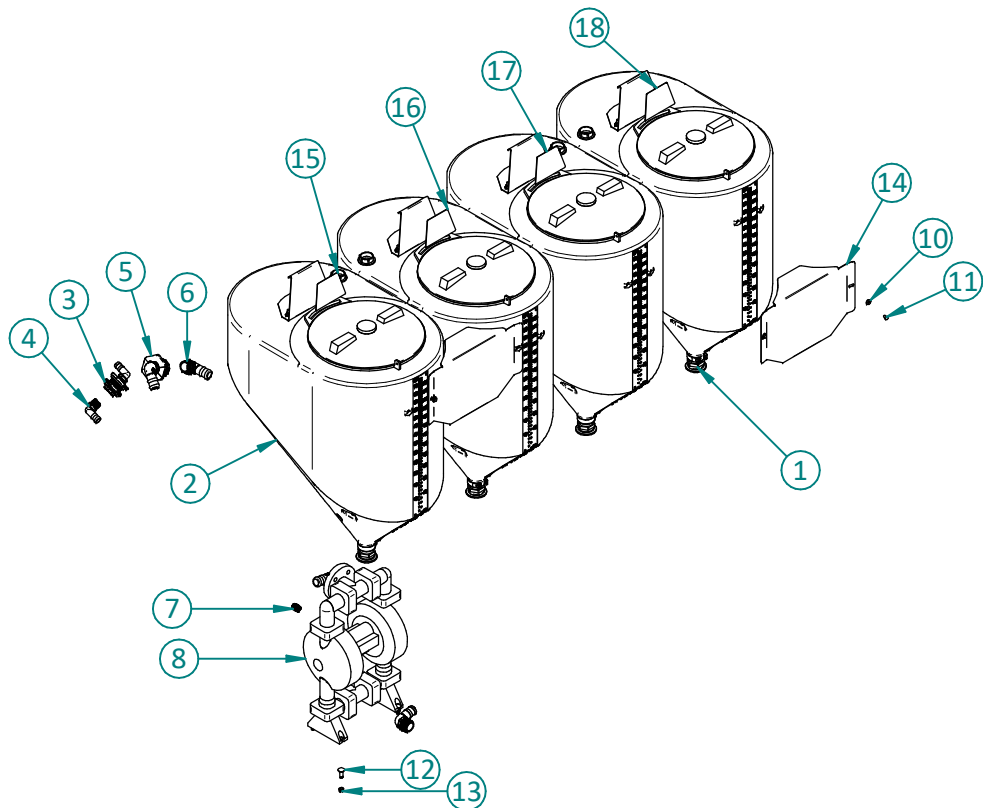
ITEM	PART NO.	DESCRIPTION	QTY
1	CMP400040	HAND GRIP	5
2	CMP400132	3/8 LH ROD END	9
3	CMP400172	FLANGE BUSHING .750" X .875" X 1.000"	9
4	CMP400173	3/8 CLEVIS W/ PIN AND CIRCLIP	7
5	CMP400473	3/8 RH ROD END	2
6	CMP400523	TANK H SHUT OFF LINK	1
7	CMP400524	TANK S SHUT OFF LINK	4
8	CMP400525	TANK A SHUT OFF LINK	2
9	CMP400526	TANK D SHUT OFF LINK	2
10	FST100201	3/8" X 1 1/2" CAP SCREW	11
11	FST100206	3/8" LOCKNUT	16
12	FST100241	3/8" X 1 1/4" CAP SCREW	2
13	FST100298	3/16" FENDER WASHER	3
14	FST100379	3/8" UNF JAM NUT	7
15	FST100732	1/2" NYLON FLAT WASHER	16
16	FST100915	GREASE ZERK 3/8" -18 PIPE(NPT)	1
17	PCT400137	LINK ARM	3
18	SAF400061	LEVER DECAL	1
19	WLD400040	HANDLE WELDT	4
20	WLD400068	TANK EMPY LINK WELDT	3
21	WLD400070	RINSE VALVE LINK WELDT	3
22	WLD400117	LINKAGE PIN WELDT	1
23	WLD400165	MAIN SHUT OFF LINK WELDT	1
24	WLD400171	MAIN SHUT OFF WELDT	1
25	WLD400211	LINK CASE WELDT	1

This page is intentionally left blank

4.4

CENTER MOUNT DASH 4.4

KIT400117

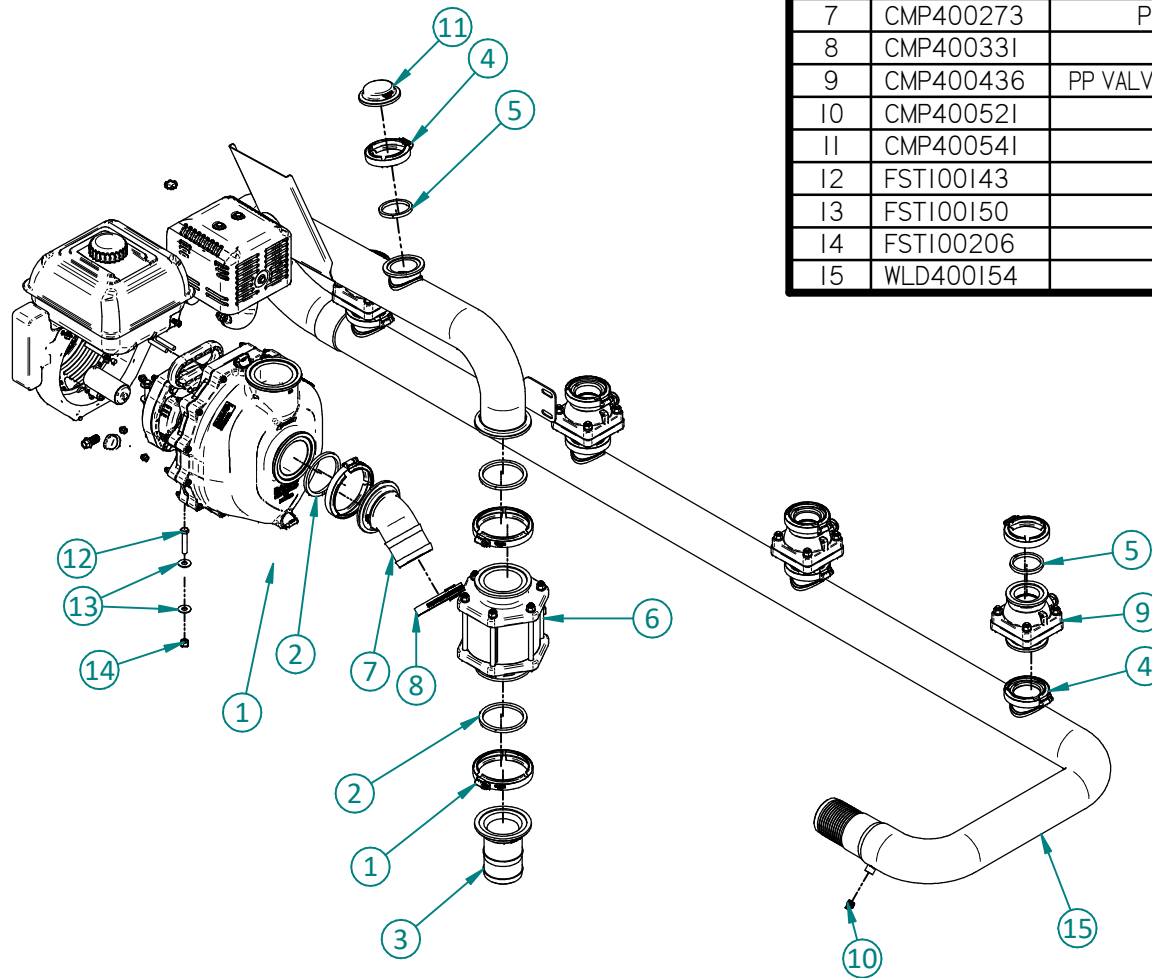


ITEM	PART NO.	DESCRIPTION	QTY
1	ASM400107	75 GAL TANK ASSY AH	2
2	ASM400108	75 GAL TANK ASSY DS	2
3	CMP400023	PP BULKHEAD 1" FNPT X 1" FNPT	1
4	CMP400037	PP ELBOW 90 DEG 1" MNPT X 1" HB	2
5	CMP400126	PP BULKHEAD 1 1/2" FNPT X 1 1/2" FNPT	1
6	CMP400474	PP ELBOW 90 DEG 1 1/2" MNPT X 1 1/2" HB	4
7	CMP400512	PL ADAPTER 1/2" MNPT X 1/2" FPTC	1
8	CMP400686	1 1/2" AIR DIAPHRAGM PUMP RD-P-40PPTT	1
9*	FST100151	1/2" FLAT WASHER HARDENED	1
10	FST100174	5/16" FLAT WASHER	4
11	FST100175	5/16" X 1/2" CAP SCREW	4
12	FST100235	1/2" X 1 1/4" CARRIAGE BOLT	4
13	FST100936	1/2" SERRATED FLANGE NUT	4
14	PCT400873	TANK COVER PLATE	2
15	SAF400048	INDUCTOR D DECAL	1
16	SAF400049	INDUCTOR A DECAL	1
17	SAF400050	INDUCTOR S DECAL	1
18	SAF400051	INDUCTOR H DECAL	1

4.4

CENTER MOUNT DASH 4.4

KIT400117



ITEM	PART NO.	DESCRIPTION	QTY
1	CMP400004	SS CLAMP 3" FLG	3
2	CMP400005	EPDM GASKET 3" FLG	3
3	CMP400008	PP ADAPTER 3" FLG X 3" HB	1
4	CMP400134	SS CLAMP 2" FP FLG	9
5	CMP400136	EPDM GASKET 2" FP FLG	9
6	CMP400154	PP VALVE BALL FULL PORT 3" FLG X 3" FLG	1
7	CMP400273	PP ELBOW 45 DEG 3" FLG X 3" HB	1
8	CMP400331	GEAR CLAMP HD 3.31"-4.00"	1
9	CMP400436	PP VALVE BALL FULL PORT 2" FP FLG X 2" FP FLG	4
10	CMP400521	SS PLUG 1/4" MNPT	1
11	CMP400541	PP PLUG 2" FP FLG	1
12	FST100143	3/8" X 2" CAP SCREW	2
13	FST100150	3/8" FLAT WASHER	4
14	FST100206	3/8" LOCKNUT	2
15	WLD400154	MANIFOLD WLDT	1

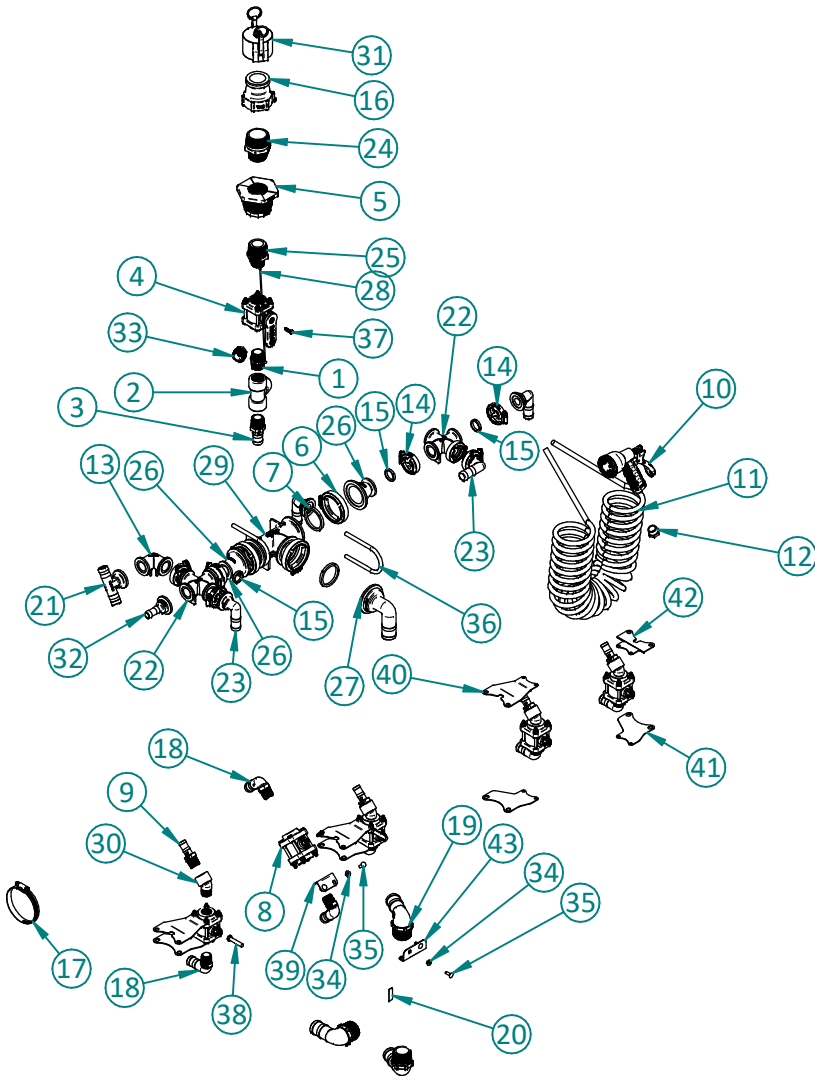
4.4

CENTER MOUNT DASH 4.4

KIT400117

ITEM	PART NO.	DESCRIPTION	QTY
41	PCT400141	VALVE BTM CONN BRKT	4
42	PCT400473	VALVE TOP CONN BRKT	1
43	PCT400579	VALVE MOUNT BRKT	1

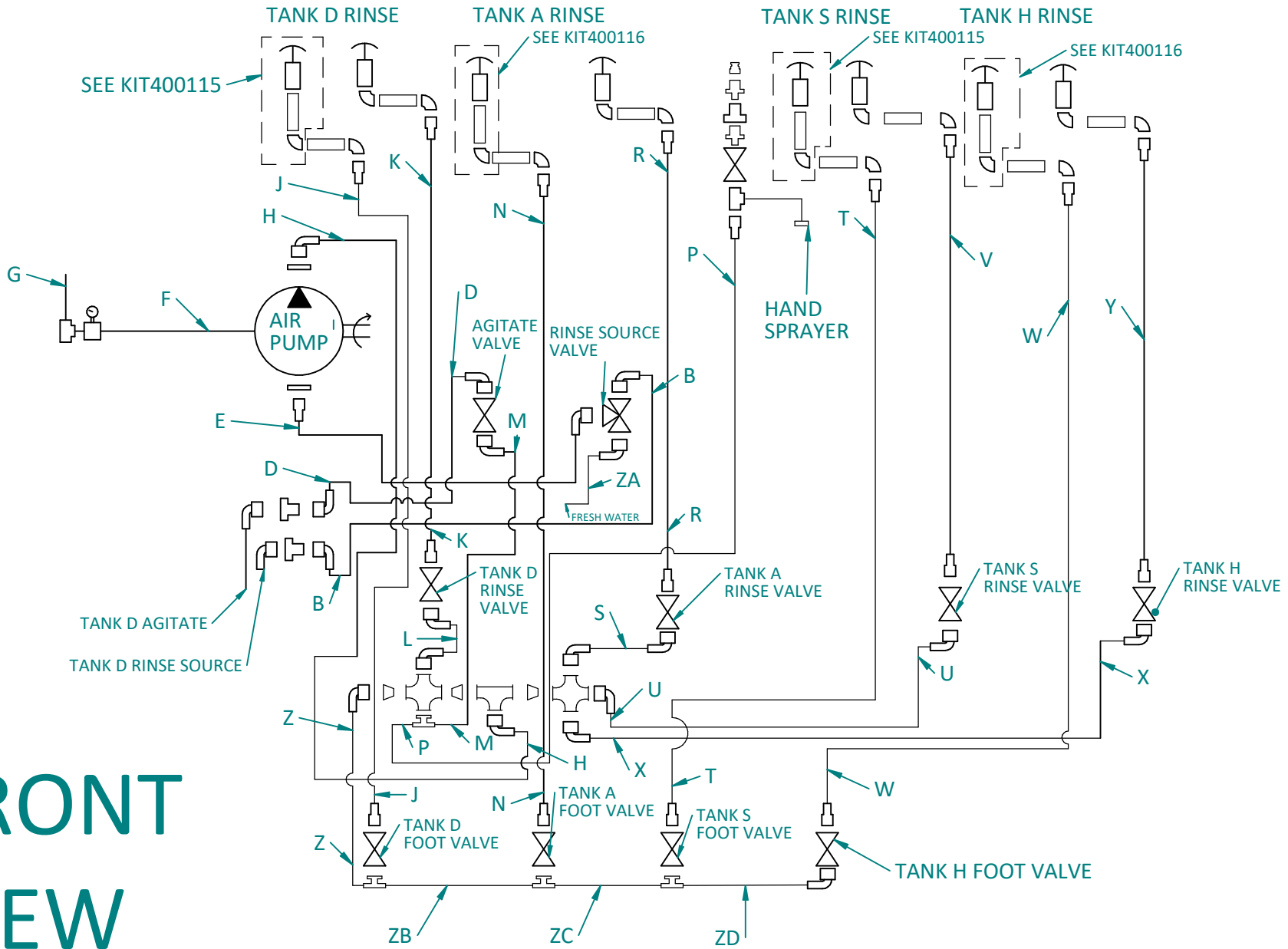
ITEM	PART NO.	DESCRIPTION	QTY
1	CMP400024	PP ADAPTER 1" MNPT X 1" MNPT	1
2	CMP400025	PP TEE 1" FNPT X 1" FNPT	1
3	CMP400028	PP ADAPTER 1" MNPT X 1" HB	1
4	CMP400029	PP VALVE BALL 1" FNPT X 1" FNPT	1
5	CMP400126	PP BULKHEAD 1 1/2" FNPT X 1 1/2" FNPT	1
6	CMP400134	SS CLAMP 2" FP FLG	3
7	CMP400136	EPDM GASKET 2" FP FLG	3
8	CMP400138	PP VALVE BALL 3/4" FNPT X 3/4" FNPT	5
9	CMP400143	PP ADAPTER 3/4" MNPT X 3/4" HB	4
10	CMP400162	HEAVY DUTY NOZZLE	1
11	CMP400170	3/8" X 25' RECOIL AIR HOSE	1
12	CMP400192	BR ADAPTER 3/8" GHT X 3/8" FNPT	1
13	CMP400211	PP ELBOW 90 DEG 1" FLG X 1" FLG	1
14	CMP400213	SS CLAMP 1" FLG	8
15	CMP400214	EPDM GASKET 1" FLG	8
16	CMP400304	PP ADAPTER 2" FNPT X 2" MQDC	1
17	CMP400331	GEAR CLAMP HD 3.31"-4.00"	1
18	CMP400339	PP ELBOW 90 DEG 3/4" MNPT X 1" HB	6
19	CMP400474	PP ELBOW 90 DEG 1 1/2" MNPT X 1 1/2" HB	3
20	CMP400475	PP VALVE BALL 3 WAY SIDE 1 1/2" FNPT X 1 1/2" FNPT	1
21	CMP400485	PP TEE BRANCH 1" HB X 1" FLG	1
22	CMP400486	PP CROSS 1" FLG X 1" FLG	2
23	CMP400487	PP ELBOW 90 DEG 1" FLG X 1" HB	4
24	CMP400489	PP ADAPTER 2" MNPT X 1 1/2" MNPT	1
25	CMP400490	PP ADAPTER 1 1/2" MNPT X 1" MNPT	1
26	CMP400539	PP ADAPTER 2" FP FLG X 1" FLG	2
27	CMP400540	PP ELBOW 90 DEG 2" FP FLG X 1 1/2" HB	1
28	CMP400543	11" QDC LANYARD	1
29	CMP400546	PP TEE 2" FP FLG X 2" FP FLG	1
30	CMP400567	PP ELBOW 45 DEG 3/4" FNPT X 3/4" MNPT	4
31	CMP400569	PP CAP 2" FQDC	1
32	CMP400688	PP ADAPTER 1" FLG X 3/4" HB	1
33	CMP400693	BR ADAPTER 1" MNPT X 3/8" FNPT	1
34	FST100129	1/4" FLANGE NUT	4
35	FST100233	1/4" X 3/4" CARRIAGE BOLT	4
36	FST100899	3/8" X 2 1/2" X 5" U-BOLT	2
37	FST100919	#10-12 X 1" HEX HEAD SCREW SS	2
38	FST100928	3/8" X 1-3/4" SS CAP SCREW	2
39	PCT400034	VALVE MOUNT BRKT	1
40	PCT400140	VALVE TOP CONN BRKT	3



4.4

CENTER MOUNT DASH 4.4

KIT400117



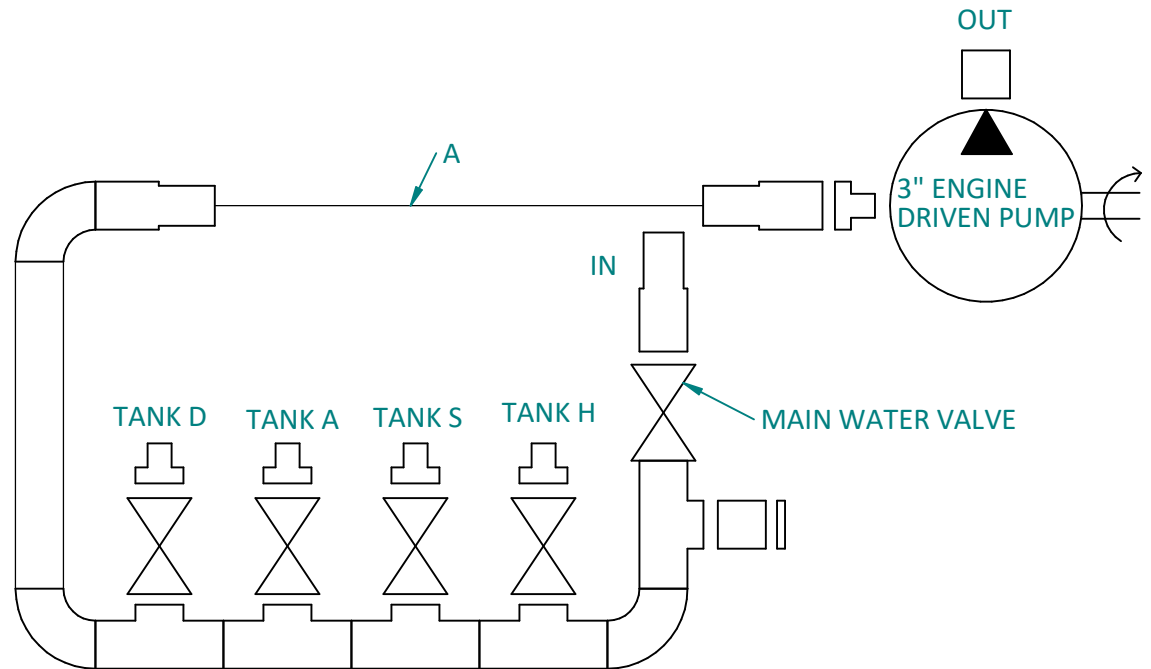
FRONT VIEW

4.4

CENTER MOUNT DASH 4.4

KIT400117

ZD	CMP400104	3/4" INDUSTRIAL WATER HOSE	11.00
ZC	CMP400104	3/4" INDUSTRIAL WATER HOSE	23.00
ZB	CMP400104	3/4" INDUSTRIAL WATER HOSE	23.00
ZA	HYD100971	HOSE EPDM SUCTION I 1/2" GREY	84.00
Z	CMP400104	3/4" INDUSTRIAL WATER HOSE	72.00
Y	CMP400104	3/4" INDUSTRIAL WATER HOSE	52.00
X	HYD100800	1" INDUSTRIAL WATER HOSE	47.00
W	CMP400104	3/4" INDUSTRIAL WATER HOSE	65.00
V	CMP400104	3/4" INDUSTRIAL WATER HOSE	52.00
U	HYD100800	1" INDUSTRIAL WATER HOSE	44.00
T	CMP400104	3/4" INDUSTRIAL WATER HOSE	66.00
S	HYD100800	1" INDUSTRIAL WATER HOSE	38.00
R	CMP400104	3/4" INDUSTRIAL WATER HOSE	56.00
P	HYD100800	1" INDUSTRIAL WATER HOSE	24.00
N	CMP400104	3/4" INDUSTRIAL WATER HOSE	68.00
M	HYD100800	1" INDUSTRIAL WATER HOSE	54.00
L	HYD100800	1" INDUSTRIAL WATER HOSE	42.00
K	CMP400104	3/4" INDUSTRIAL WATER HOSE	56.00
J	CMP400104	3/4" INDUSTRIAL WATER HOSE	67.00
H	CMP400105	I 1/2" INDUSTRIAL WATER HOSE	25.00
G	HYD100806	3/8" INDUSTRIAL WATER HOSE	16.00
F	HYD100978	1/2 AIR BRAKE HOSE	110.00
E	HYD100971	HOSE EPDM SUCTION I 1/2" GREY	36.00
D	HYD100800	1" INDUSTRIAL WATER HOSE	38.00
C	HYD100800	1" INDUSTRIAL WATER HOSE	7.00
B	HYD100971	HOSE EPDM SUCTION I 1/2" GREY	15.50
A	HYD100972	HOSE EPDM SUCTION 3" GREY	62.50
ITEM	PART NO.	DESCRIPTION	LENGTH (IN)
HOSE CUT LIST			



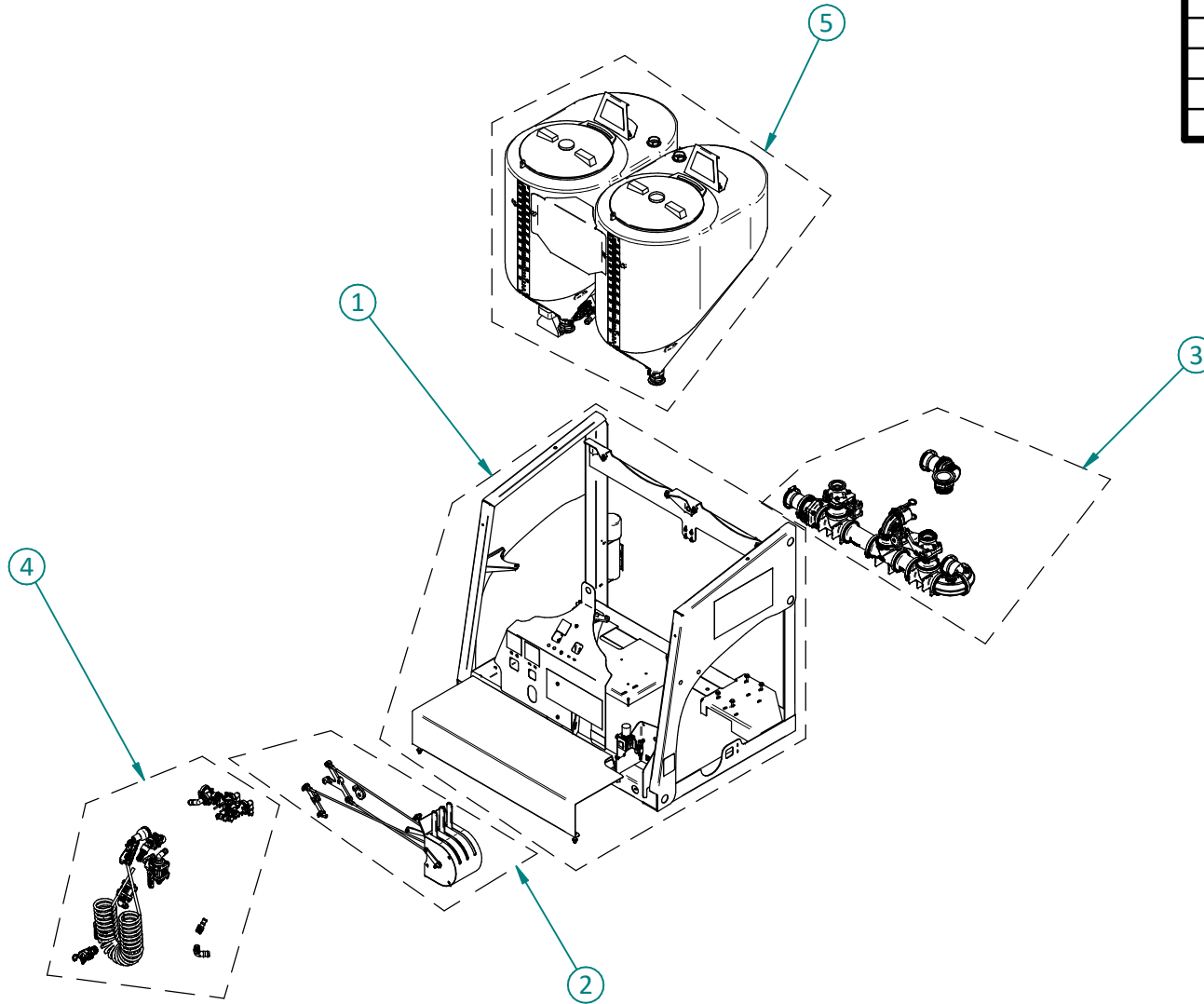
This page is intentionally left blank

2.4

DASH 2.4

KIT400118

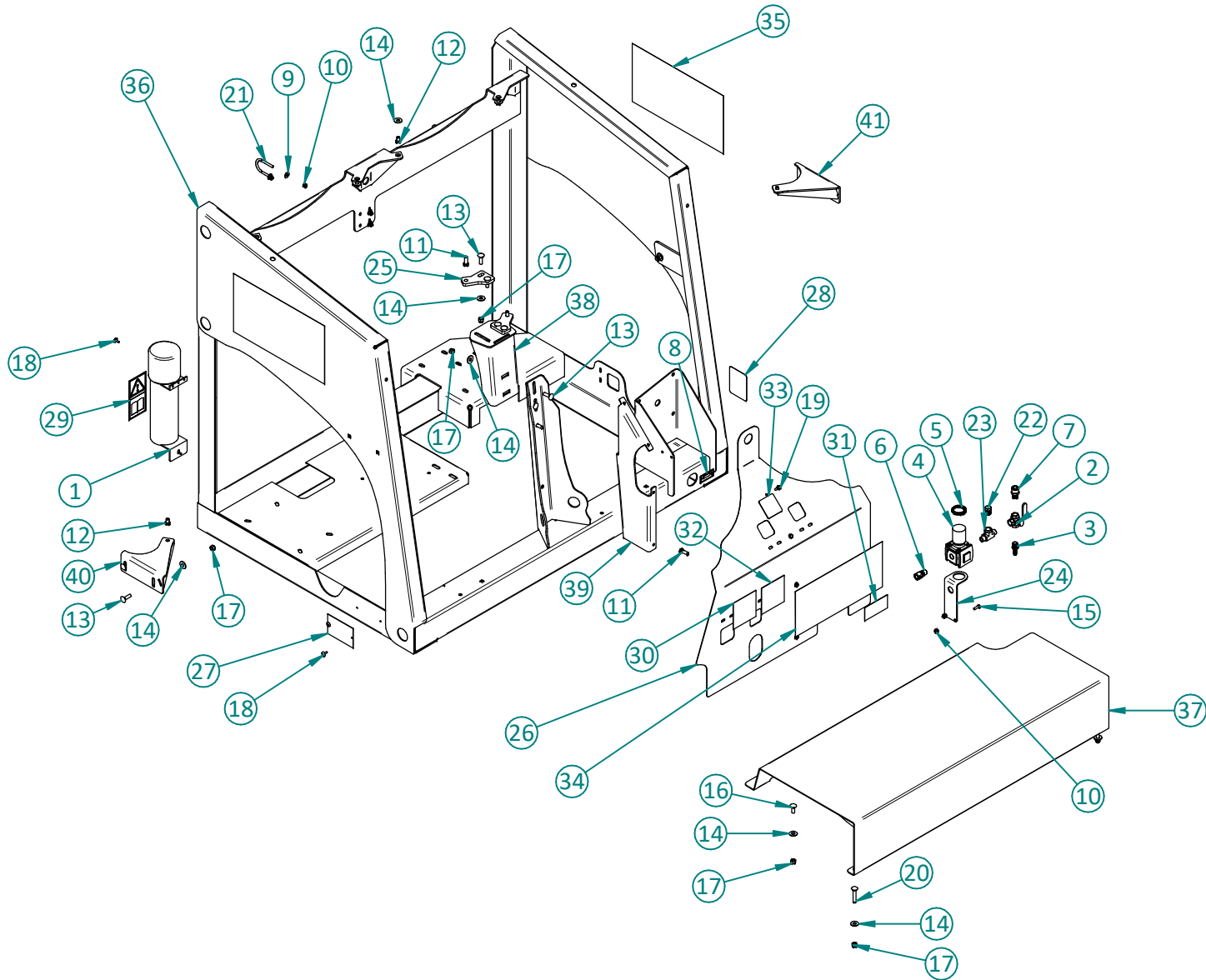
ITEM	DESCRIPTION
1	FRAME
2	LINKAGE
3	SUCTION
4	RINSE
5	TANKS



2.4

DASH 2.4

KIT400118



2.4**DASH 2.4****KIT400118**

ITEM	PART NO.	DESCRIPTION	QTY	ITEM	PART NO.	DESCRIPTION	QTY
35	SAF400096	PHIBER LOGO DASH 2.4 (8-7/8" X 16")	2	1	CMP100313	MANUAL CANISTER	1
36	WLD400218	FRAME WLDT 2.2	1	2	CMP400254	3/8" THREE WAY BRASS BALL VALVE	1
37	WLD400220	WORK STEP WELDT DASH 2.X	1	3	CMP400292	BR ADAPTER 3/8" MNPT X 3/8" HB	1
38	WLD400224	FRONT TANK MOUNT WLDT	1	4	CMP400343	3/8 AIR REGULATOR	1
39	WLD400227	MANIFOLD COVER BRACKET WLDT	1	5	CMP400355	PANEL NUT	1
40	WLD400291	TANK MOUNT WLDT LH	1	6	CMP400516	PL ADAPTER 3/8" MNPT X 1/2" FPTC	1
41	WLD400292	TANK MOUNT WLDT RH	1	7	CMP400605	BR ADAPTER 3/8" MNPT X 1/2" FPTC DOT	1
				8	CMP500066	DECAL GREASE	1
				9	FST100134	1/4" FLAT WASHER	4
				10	FST100135	1/4" LOCK NUT	6
				11	FST100141	3/8" X 1" CAP SCREW	4
				12	FST100142	3/8" X 3/4" CAP SCREW	6
				13	FST100146	3/8" x 1 1/4" CARRIAGE BOLT	10
				14	FST100150	3/8" FLAT WASHER	18
				15	FST100169	1/4" x 3/4" CAP SCREW	2
				16	FST100199	3/8" x 1" CARRIAGE BOLT	2
				17	FST100206	3/8" LOCKNUT	14
				18	FST100228	POP RIVET STEEL 3/16 X 1/2 X 5/8 HEAD	4
				19	FST100247	1/4" X 3/4" FLANGE BOLTS	4
				20	FST100403	3/8" X 2" CARRIAGE BOLT	2
				21	FST100480	1/4" X 1" PIPE SIZE U-BOLT	2
				22	HYD100152	ST PLUG 06 MNPT	1
				23	HYD100852	ST TEE BRANCH 06 MNPT X 06 FNPT	1
				24	PCT400331	REGULATOR MOUNT BRKT	1
				25	PCT400632	TANK MOUNT PLATE	2
				26	PCT400876	MANIFOLD COVER	1
				27	SAF100100	SERIAL NUMBER PLATE	1
				28	SAF100762	VERTICAL TRAINING QR DECAL	1
				29	SAF200104	READ SAFETY MANUAL	1
				30	SAF400036	RINSE SOURCE DECAL	1
				31	SAF400041	MASTER AIR DECAL	1
				32	SAF400047	HOSE RINSE DECAL	1
				33	SAF400052	AGITATE D DECAL	1
				34	SAF400089	DASH 2.4 DECAL	1

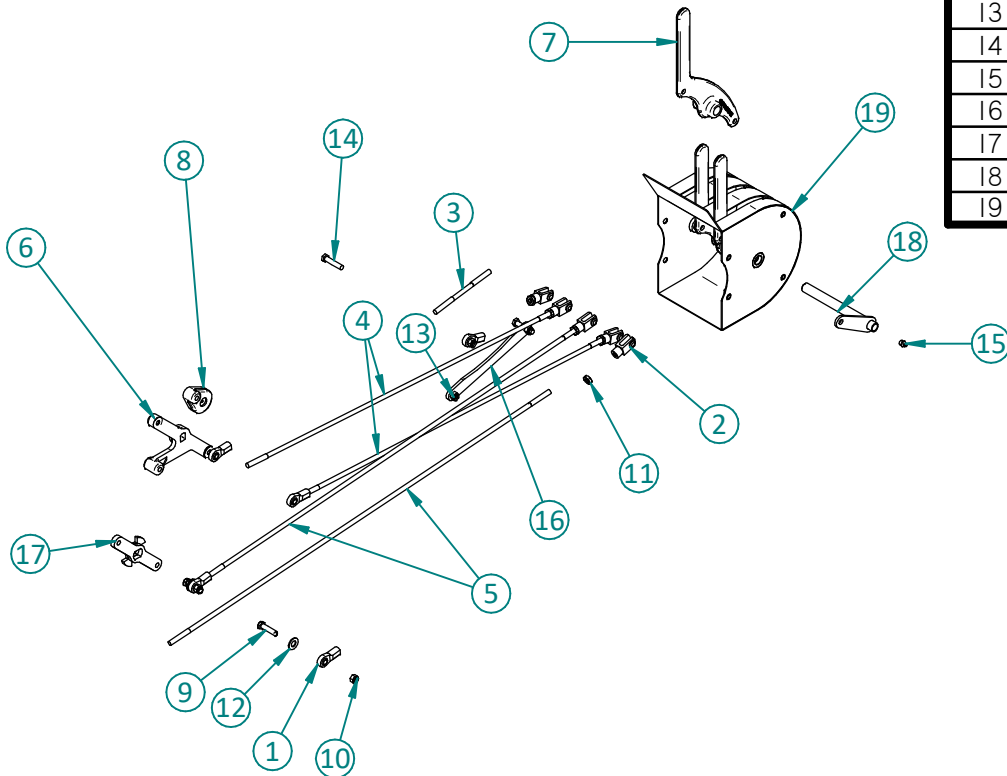
2.4

DASH 2.4

KIT400118

SERIAL #XXXXX230292 AND ABOVE

ITEM	PART NO.	DESCRIPTION	QTY
1	CMP400132	3/8 LH ROD END	5
2	CMP400173	3/8 CLEVIS W/ PIN AND CIRCLIP	5
3	CMP400523	TANK H SHUT OFF LINK	1
4	CMP400588	TANK J SHUT OFF LINK	2
5	CMP400589	MAIN SHUT OFF LINK	2
6	CMP400742	TANK LINK ARM INJECTION MOLDED	1
7	CMP400743	DASH LEVER ARM MOLDED	3
8	CMP400749	VALVE LINK MOLD	1
9	FST100201	3/8" X 1 1/2" CAP SCREW	2
10	FST100206	3/8" LOCKNUT	2
11	FST100379	3/8" UNF JAM NUT	5
12	FST100732	1/2" NYLON FLAT WASHER	2
13	FST100909	3/8" SS LOCKNUT	3
14	FST100928	3/8" X 1-3/4" SS CAP SCREW	2
15	HYD-100266	GREASE ZERK 1/8" -27 PIPE (NPT)	1
16	PCT400920	CONNECTING LINK PLATE	1
17	WLD400073	MAIN SHUT OFF LINK WELDT	1
18	WLD400140	LINKAGE PIN WELDT	1
19	WLD400221	3 LINK CASE WELDT	1

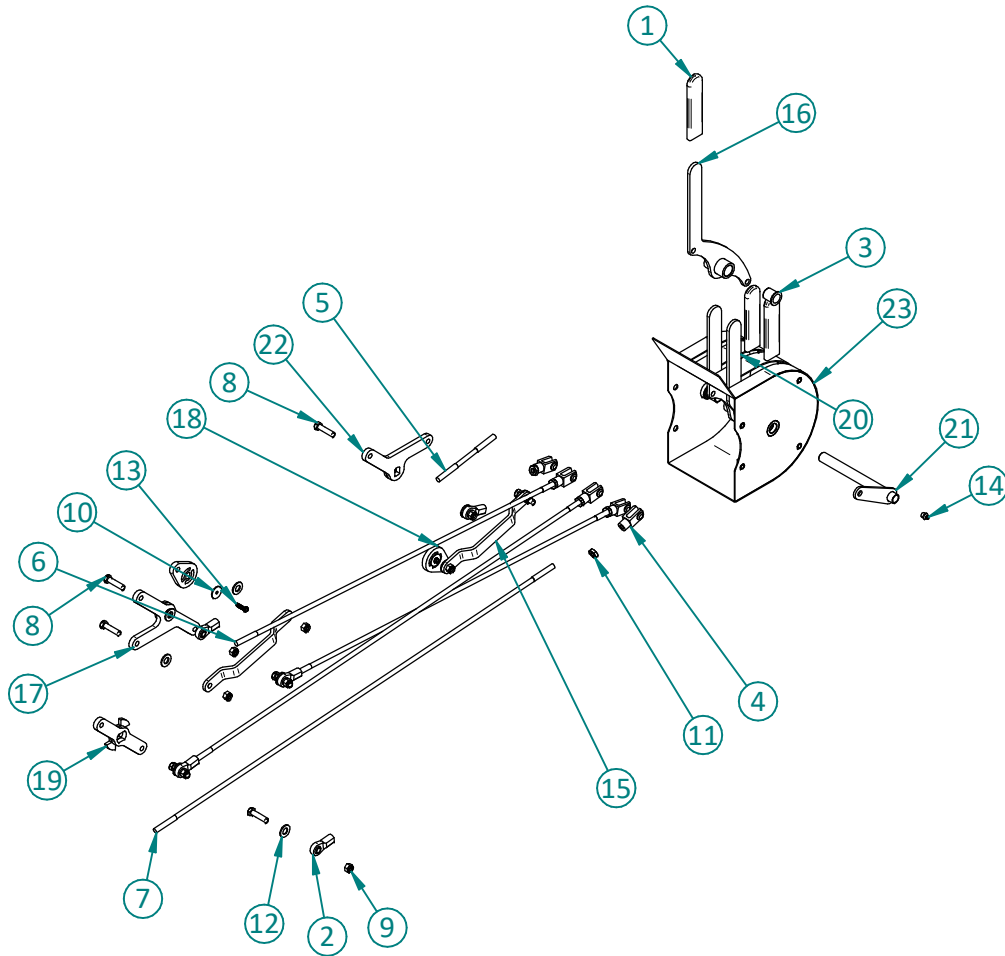


2.4

DASH 2.4

KIT400118

SERIAL #XXXXX230292 AND BELOW



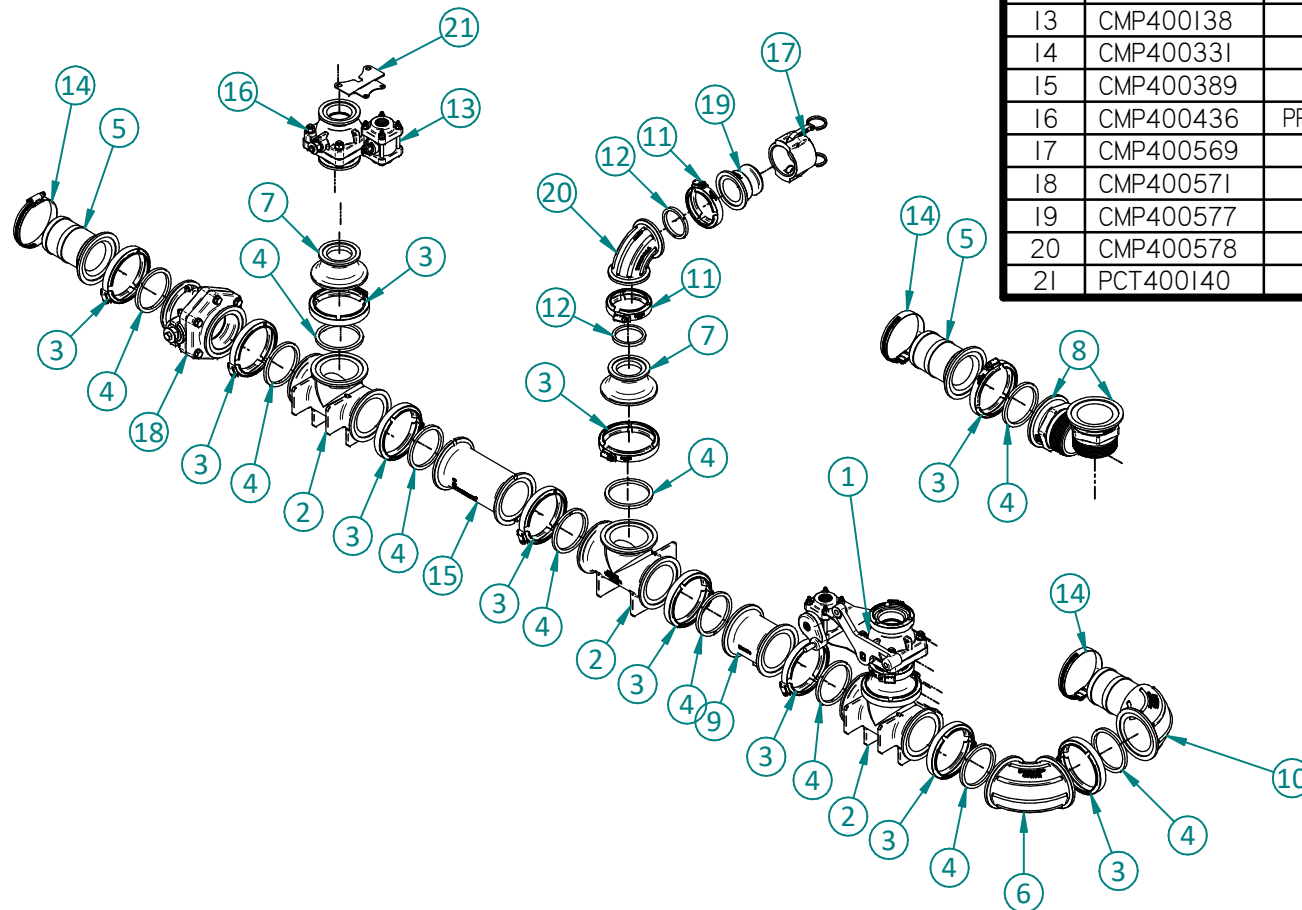
ITEM	PART NO.	DESCRIPTION	QTY
1	CMP400040	HAND GRIP	3
2	CMP400132	3/8 LH ROD END	5
3	CMP400172	FLANGE BUSHING .750" X .875" X 1.000"	2
4	CMP400173	3/8 CLEVIS W/ PIN AND CIRCLIP	5
5	CMP400523	TANK H SHUT OFF LINK	1
6	CMP400588	TANK J SHUT OFF LINK	2
7	CMP400589	MAIN SHUT OFF LINK	2
8	FST100201	3/8" X 1 1/2" CAP SCREW	7
9	FST100206	3/8" LOCKNUT	9
10	FST100298	3/16" FENDER WASHER	2
11	FST100379	3/8" UNF JAM NUT	5
12	FST100732	1/2" NYLON FLAT WASHER	9
13	FST100919	#10-12 X 1" HEX HEAD SCREW SS	2
14	HYD-100266	GREASE ZERK 1/8" -27 PIPE (NPT)	1
15	PCT400137	LINK ARM	2
16	WLD400040	HANDLE WELDT	2
17	WLD400068	TANK EMPY LINK WELDT	1
18	WLD400070	RINSE VALVE LINK WELDT	2
19	WLD400073	MAIN SHUT OFF LINK WELDT	1
20	WLD400082	HANDLE WELDT	1
21	WLD400140	LINKAGE PIN WELDT	1
22	WLD400157	TANK EMPY LINK WELDT	1
23	WLD400221	3 LINK CASE WELDT	1

This page is intentionally left blank

2.4

DASH 2.4

KIT400118

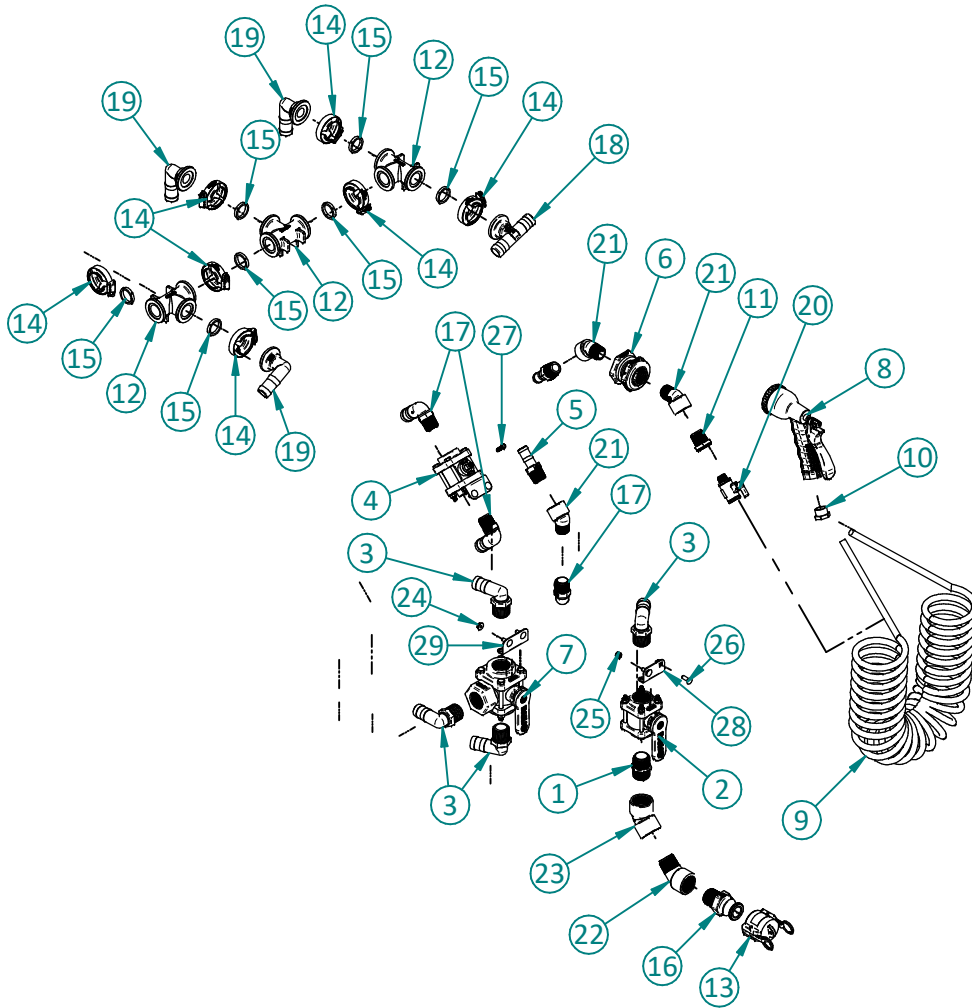


ITEM	PART NO.	DESCRIPTION	QTY
1	ASM400113	H VALVE ASSEMBLY	1
2	CMP400003	PP TEE 3" FLG X 3" FLG	3
3	CMP400004	SS CLAMP 3" FLG	12
4	CMP400005	EPDM GASKET 3" FLG	12
5	CMP400008	PP ADAPTER 3" FLG X 3" HB	2
6	CMP400009	PP SWEEP 3" FLG X 3" FLG	1
7	CMP400017	PP ADAPTER 3" FLG X 2" FP FLG	3
8	CMP400032	PP ADAPTER 3" FLG X 3" MNPT	2
9	CMP400093	PP ADAPTER 3" FLG X 3" FLG	1
10	CMP400094	PP SWEEP 3" FLG X 3" HB	1
11	CMP400134	SS CLAMP 2" FP FLG	4
12	CMP400136	EPDM GASKET 2" FP FLG	4
13	CMP400138	PP VALVE BALL 3/4" FNPT X 3/4" FNPT	1
14	CMP400331	GEAR CLAMP HD 3.31"-4.00"	3
15	CMP400389	PP ADAPTER 7" LONG 3" FLG X 3" FLG	1
16	CMP400436	PP VALVE BALL FULL PORT 2" FP FLG X 2" FP FLG	1
17	CMP400569	PP CAP 2" FQDC	1
18	CMP400571	3" FLANGE STUBBY VALVE FULL PORT	1
19	CMP400577	PP ADAPTER 2" FP FLG X 2" MQDC	1
20	CMP400578	PP SWEEP 2" FP FLG X 2" FP FLG	1
21	PCT400140	VALVE TOP CONN BRKT	1

2.4

DASH 2.4

KIT400118

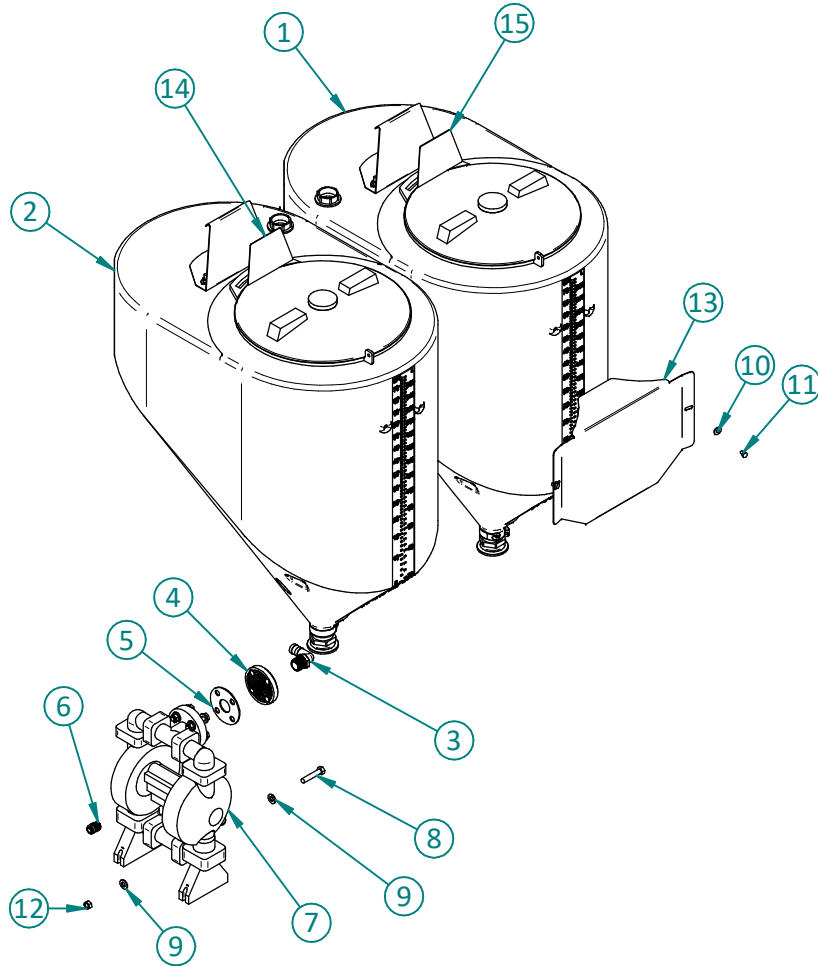


ITEM	PART NO.	DESCRIPTION	QTY
1	CMP400024	PP ADAPTER 1" MNPT X 1" MNPT	1
2	CMP400029	PP VALVE BALL 1" FNPT X 1" FNPT	1
3	CMP400037	PP ELBOW 90 DEG 1" MNPT X 1" HB	4
4	CMP400138	PP VALVE BALL 3/4" FNPT X 3/4" FNPT	1
5	CMP400143	PP ADAPTER 3/4" MNPT X 3/4" HB	2
6	CMP400145	PP BULKHEAD 3/4" FNPT X 3/4" FNPT	1
7	CMP400157	PP VALVE BALL 3 WAY SIDE 1" FNPT X 1" FNPT	1
8	CMP400162	HEAVY DUTY NOZZLE	1
9	CMP400170	3/8" X 25' RECOIL AIR HOSE	1
10	CMP400192	BR ADAPTER 3/8" GHT X 3/8" FNPT	1
11	CMP400193	PP ADAPTER 3/4" MNPT X 3/8" FNPT	1
12	CMP400205	PP TEE 1" FLG X 1" FLG	3
13	CMP400206	PP CAP 1" FQDC	1
14	CMP400213	SS CLAMP 1" FLG	7
15	CMP400214	EPDM GASKET 1" FLG	7
16	CMP400216	PP ADAPTER 1" MNPT X 1" MQDC	1
17	CMP400339	PP ELBOW 90 DEG 3/4" MNPT X 1" HB	3
18	CMP400485	PP TEE BRANCH 1" HB X 1" FLG	1
19	CMP400487	PP ELBOW 90 DEG 1" FLG X 1" HB	3
20	CMP400551	PP VALVE MICRO 3/8" MNPT X 3/8" FNPT	1
21	CMP400567	PP ELBOW 45 DEG 3/4" FNPT X 3/4" MNPT	3
22	CMP400600	PP ELBOW 45 DEG 1" FNPT X 1" MNPT	1
23	CMP400601	PP ELBOW 45 DEG 1" FNPT X 1" FNPT	1
24	FSTI00129	1/4" FLANGE NUT	4
25	FSTI00135	1/4" LOCK NUT	2
26	FSTI00233	1/4" X 3/4" CARRIAGE BOLT	6
27	FSTI00919	#10-12 X 1" HEX HEAD SCREW SS	1
28	PCT400034	VALVE MOUNT BRKT	2
29	PCT400051	VALVE MOUNT BRKT	1

2.4

DASH 2.4

KIT400118



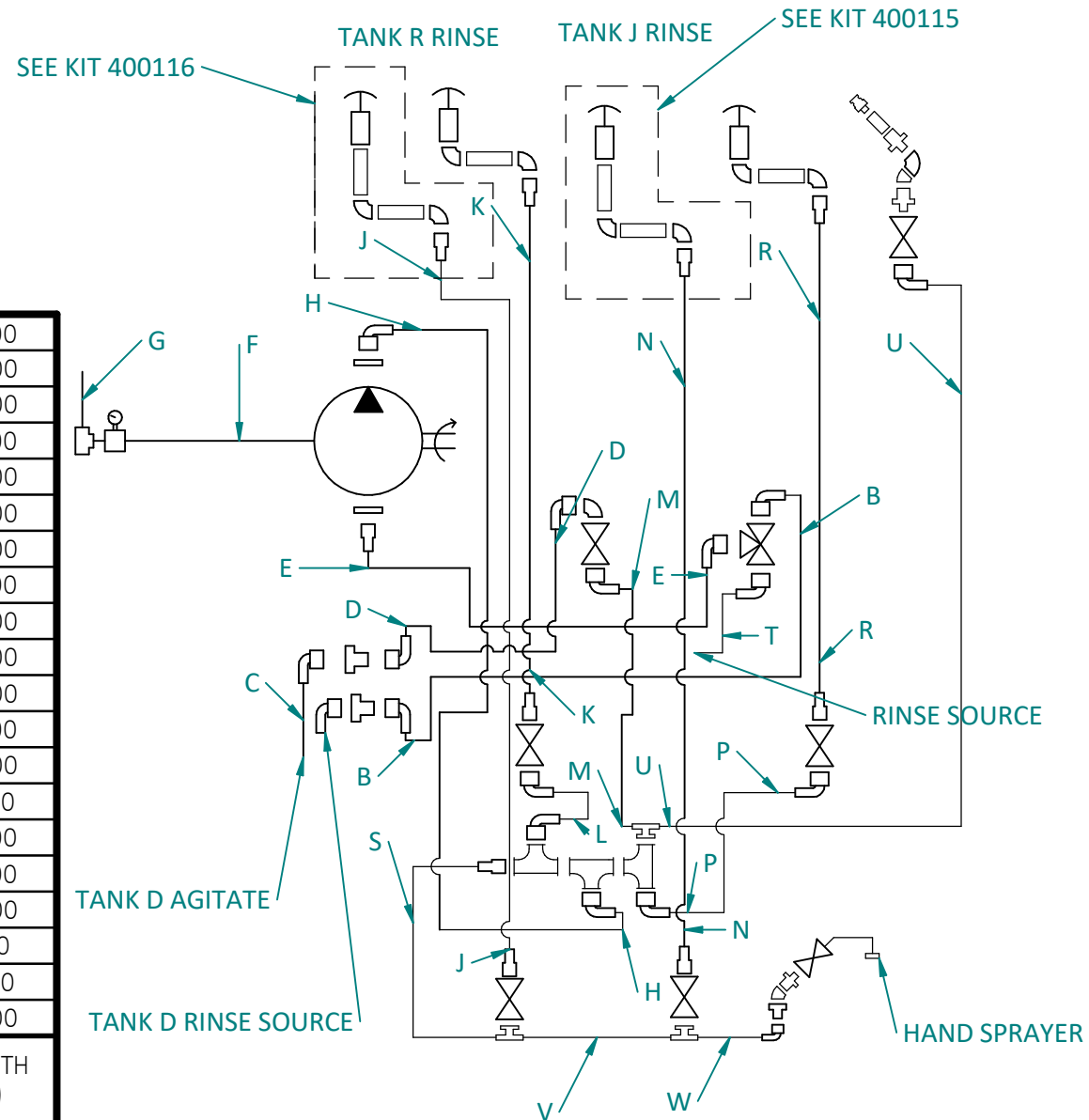
ITEM	PART NO.	DESCRIPTION	QTY
1	ASM400107	75 GAL TANK ASSY AH	1
2	ASM400108	75 GAL TANK ASSY DS	1
3	CMP400037	PP ELBOW 90 DEG 1" MNPT X 1" HB	2
4	CMP400045	PP ADAPTER 1" ANSI X 1" FNPT	2
5	CMP400168	EPDM GASKET 1" ANSI	2
6	CMP400512	PL ADAPTER 1/2" MNPT X 1/2" FPTC	1
7	CMP400704	1" AIR DIAPHRAGM PUMP RD-P-25PPTT	1
8	FST100102	1/2" x 2 1/2" CAP SCREW	8
9	FST100151	1/2" FLAT WASHER HARDENED	16
10	FST100174	5/16" FLAT WASHER	2
11	FST100175	5/16" X 1/2" CAP SCREW	2
12	FST100356	1/2" CRIMP NUT	8
13	PCT400873	TANK COVER PLATE	1
14	SAF400066	INDUCTOR J DECAL	1
15	SAF400067	INDUCTOR R DECAL	1

2.4

DASH 2.4

KIT400118

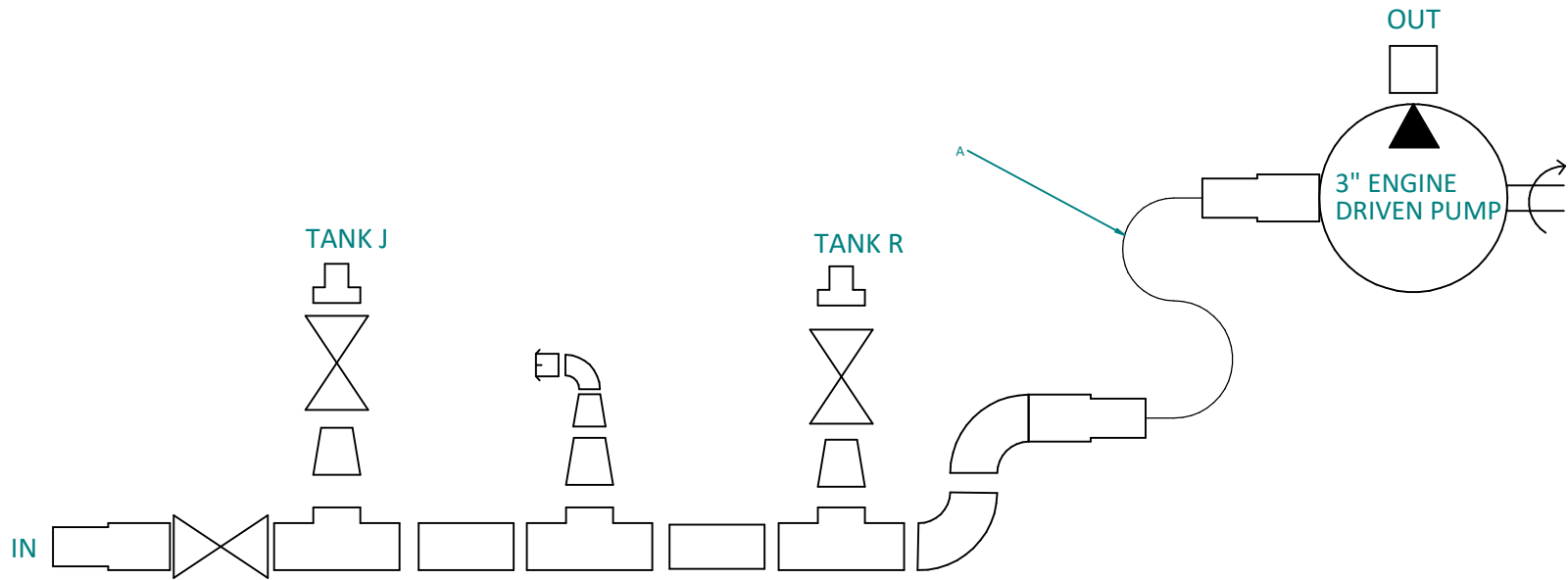
W	CMP400104	3/4" INDUSTRIAL WATER HOSE	38.00
V	CMP400104	3/4" INDUSTRIAL WATER HOSE	24.00
U	HYDI00800	1" INDUSTRIAL WATER HOSE	45.00
T	HYDI00800	1" INDUSTRIAL WATER HOSE	84.00
S	CMP400104	3/4" INDUSTRIAL WATER HOSE	60.00
R	CMP400104	3/4" INDUSTRIAL WATER HOSE	54.00
P	HYDI00800	1" INDUSTRIAL WATER HOSE	42.00
N	CMP400104	3/4" INDUSTRIAL WATER HOSE	67.00
M	HYDI00800	1" INDUSTRIAL WATER HOSE	46.00
L	HYDI00800	1" INDUSTRIAL WATER HOSE	42.00
K	CMP400104	3/4" INDUSTRIAL WATER HOSE	54.00
J	CMP400104	3/4" INDUSTRIAL WATER HOSE	67.00
H	HYDI00800	1" INDUSTRIAL WATER HOSE	36.00
G	HYDI00806	3/8" INDUSTRIAL WATER HOSE	16.00
F	HYDI00978	1/2 AIR BRAKE HOSE	80.00
E	HYDI00800	1" INDUSTRIAL WATER HOSE	27.00
D	HYDI00800	1" INDUSTRIAL WATER HOSE	36.00
C	HYDI00800	1" INDUSTRIAL WATER HOSE	7.00
B	HYDI00800	1" INDUSTRIAL WATER HOSE	17.00
A	HYDI00972	HOSE EPDM SUCTION 3" GREY	56.00
ITEM	PART NO.	DESCRIPTION	LENGTH (IN)
HOSE CUT LIST			



2.4

DASH 2.4

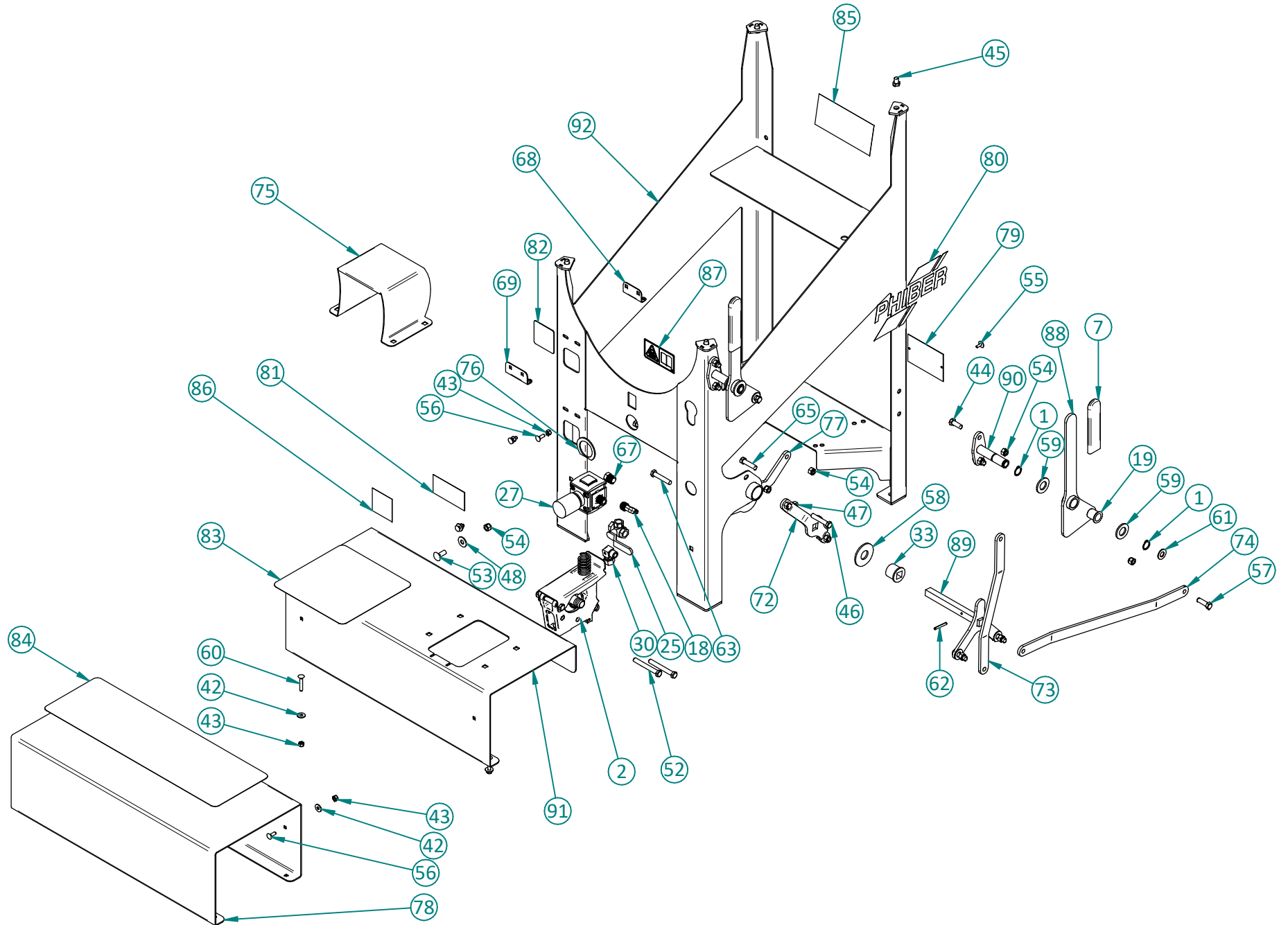
KIT400118



1.4

DASH 1.4 PRIMARY

KIT400103



1.4

DASH 1.4 PRIMARY

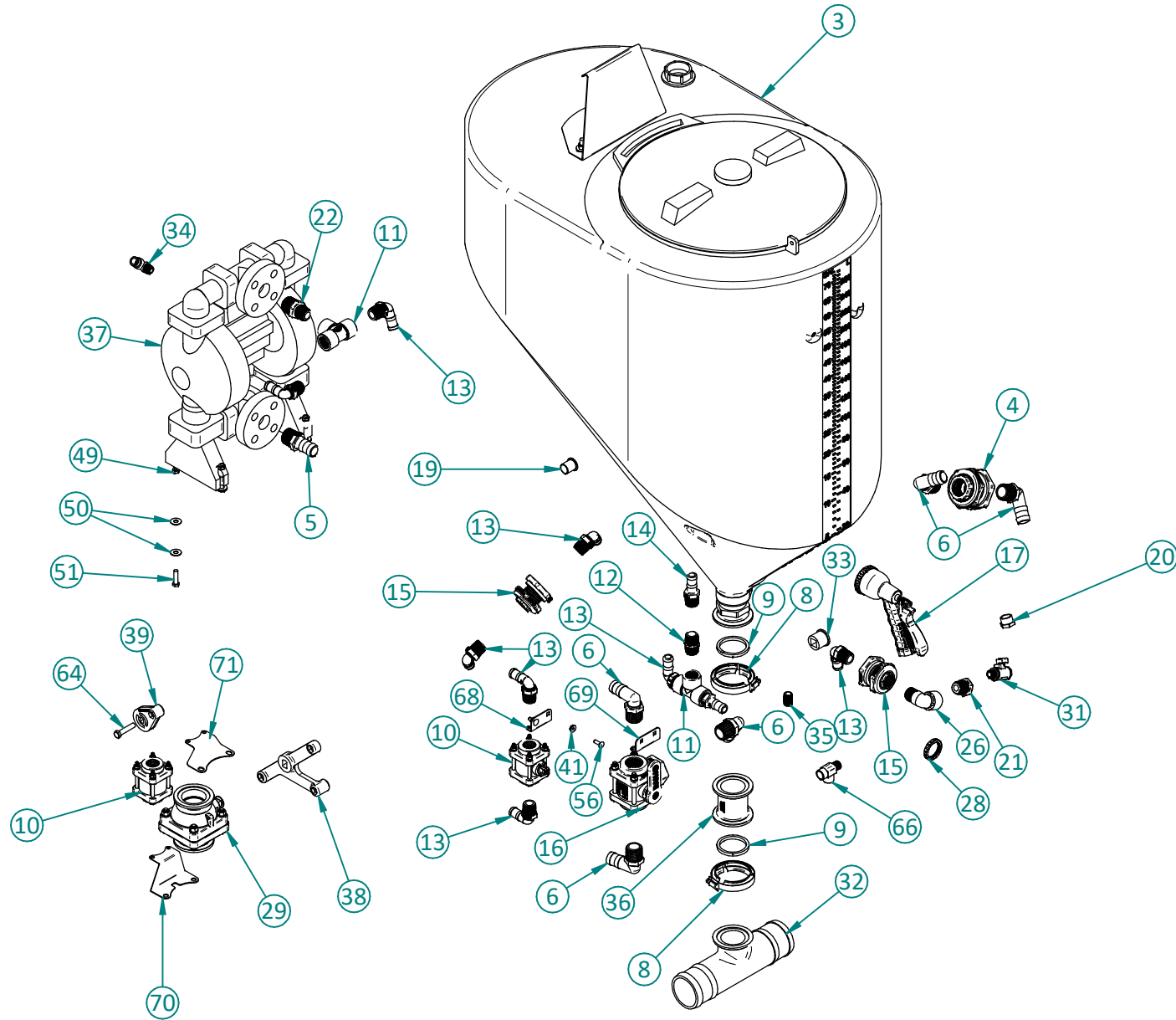
KIT400103

ITEM	PART NO.	DESCRIPTION	QTY	ITEM	PART NO.	DESCRIPTION	QTY
47	FST100148	3/8" NUT	1	1	300338	SNAP RING EXTERNAL SS 0.75	4
48	FST100150	3/8" FLAT WASHER	2	2	ASM400090	FOOT RINSE VALVE ASSY	1
49	FST100173	5/16" LOCK NUT	4	3	ASM400108	75 GAL TANK ASSY DS	1
50	FST100174	5/16" FLAT WASHER	8	4	CMP400023	PP BULKHEAD 1" FNPT X 1" FNPT	1
51	FST100177	5/16" X 1 1/4" CAP SCREW	4	5	CMP400028	PP ADAPTER 1" MNPT X 1" HB	1
52	FST100182	3/8" X 3" CAP SCREW	2	6	CMP400037	PP ELBOW 90 DEG 1" MNPT X 1" HB	5
53	FST100199	3/8" x 1" CARRIAGE BOLT	6	7	CMP400040	HAND GRIP	2
54	FST100206	3/8" LOCKNUT	21	8	CMP400134	SS CLAMP 2" FP FLG	3
55	FST100228	POP RIVET STEEL 3/16 X 1/2 X 5/8	2	9	CMP400136	EPDM GASKET 2" FP FLG	3
56	FST100233	1/4" X 3/4" CARRIAGE BOLT	6	10	CMP400138	PP VALVE BALL 3/4" FNPT X 3/4" FNPT	2
57	FST100241	3/8" X 1 1/4" CAP SCREW	4	11	CMP400139	PP TEE 3/4" FNPT X 3/4" FNPT	2
58	FST100257	7/8" FLAT WASHER	1	12	CMP400140	PP ADAPTER 3/4" MNPT X 3/4" MNPT	1
59	FST100404	3/4" WASHER HARDENED	4	13	CMP400141	PP ELBOW 90 DEG 3/4" MNPT X 3/4" HB	8
60	FST100448	1/4" X 1 1/2" CARRIAGE BOLT	2	14	CMP400143	PP ADAPTER 3/4" MNPT X 3/4" HB	2
61	FST100732	1/2" NYLON FLAT WASHER	4	15	CMP400145	PP BULKHEAD 3/4" FNPT X 3/4" FNPT	2
62	FST100872	3/16 X 1 1/2" ROLL PIN	1	16	CMP400157	PP VALVE BALL 3 WAY SIDE 1" FNPT X 1" FNPT	1
63	FST100900	3/8" X 2" STAINLESS STEEL CAP SCREW	1	17	CMP400162	HEAVY DUTY NOZZLE	1
64	FST100928	3/8" X 1-3/4" SS CAP SCREW	1	18	CMP400166	BR ELBOW 90 DEG 3/8" MNPT X 3/8" HB	1
65	FST100935	3/8" X 1 1/2" CAP SCREW SS	2	19	CMP400172	FLANGE BUSHING .750" X .875" X 1.000"	2
66	HYD-100164	ST TEE 06 MNPT X 06 FNPT	1	20	CMP400192	BR ADAPTER 3/8" GHT X 3/8" FNPT	1
67	HYDI00152	ST PLUG 06 MNPT	1	21	CMP400193	PP ADAPTER 3/4" MNPT X 3/8" FNPT	1
68	PCT400034	VALVE MOUNT BRKT	1	22	CMP400222	PP ADAPTER 1" MNPT X 3/4" MNPT	1
69	PCT400051	VALVE MOUNT BRKT	1	23*	CMP400224	-12 GEAR CLAMP	7
70	PCT400140	VALVE TOP CONN BRKT	1	24*	CMP400225	-16 GEAR CLAMP	12
71	PCT400141	VALVE BTM CONN BRKT	1	25	CMP400254	3/8" THREE WAY BRASS BALL VALVE	1
72	PCT400743	LINK ARM	1	26	CMP400287	PP ELBOW 90 DEG 3/4" MNPT X 3/4" FNPT	1
73	PCT400748	SHORT LINK PLATE	1	27	CMP400343	3/8 AIR REGULATOR	1
74	PCT400749	LONG LINK PLATE	1	28	CMP400355	PANEL NUT	1
75	PCT400838	PEDAL GUARD BRKT	1	29	CMP400436	PP VALVE BALL FULL PORT 2" FP FLG X 2" FP FLG	1
76	PCT400908	WASHER FOR 1.4P DASH REGULATOR	1	30	CMP400511	BR ELBOW 90 DEG 3/8" MNPT X 1/2" FPTC DOT	1
77	PCT400961	LINK ARM	1	31	CMP400551	PP VALVE MICRO 3/8" MNPT X 3/8" FNPT	1
78	PCT400964	STEP BRKT	1	32	CMP400565	PP TEE 2" FP FLG X 3" HB	1
79	SAFI00100	SERIAL NUMBER PLATE	1	33	CMP400596	BUSHING	1
80	SAFI00786	PHIBER LOGO DECAL 5.19" X 9.40"	2	34	CMP400619	BR ELBOW 90 DEG 3/8" MNPT X 1/2" FPTC	2
81	SAF400041	MASTER AIR DECAL	1	35	CMP400667	BR ADAPTER 3/8" MNPT X 3/8" MNPT	1
82	SAF400052	AGITATE D DECAL	1	36	CMP400692	PP ADAPTER 2" FP FLG X 2" FP FLG	1
83	SAF400074	PLATFORM ANTI SLIP ROUND CORNER	1	37	CMP400704	1" AIR DIAPHRAGM PUMP RD-P-25PPTT	1
84	SAF400076	STEP ANTI SLIP ROUND CORNER	1	38	CMP400742	TANK LINK ARM INJECTION MOLDED	1
85	SAF400092	DASH 1.4P DECAL	1	39	CMP400749	VALVE LINK MOLD	1
86	SAF400094	RINSE SOURCE DECAL 1.4 DASH	1	40*	DOC400068	DASH 1.4 PRIMARY QUICK START GUIDE	1
87	SAF400095	CHEMICAL WARNING READ MANUAL DASH 1.4	1	41	FST100129	1/4" FLANGE NUT	2
88	WLD400239	HANDLE WLDT	2	42	FST100134	1/4" FLAT WASHER	4
89	WLD400244	HANDLE WLDT	1	43	FST100135	1/4" LOCK NUT	6
90	WLD400247	HANDLE PIVOT WLDT	2	44	FST100141	3/8" X 1" CAP SCREW	4
91	WLD400302	DASH 1X WORK STEP	1	45	FST100142	3/8" X 3/4" CAP SCREW	4
92	WLD400303	INDUCTOR STAND WELDT	1	46	FST100143	3/8" X 2" CAP SCREW	1

1.4

DASH 1.4 PRIMARY

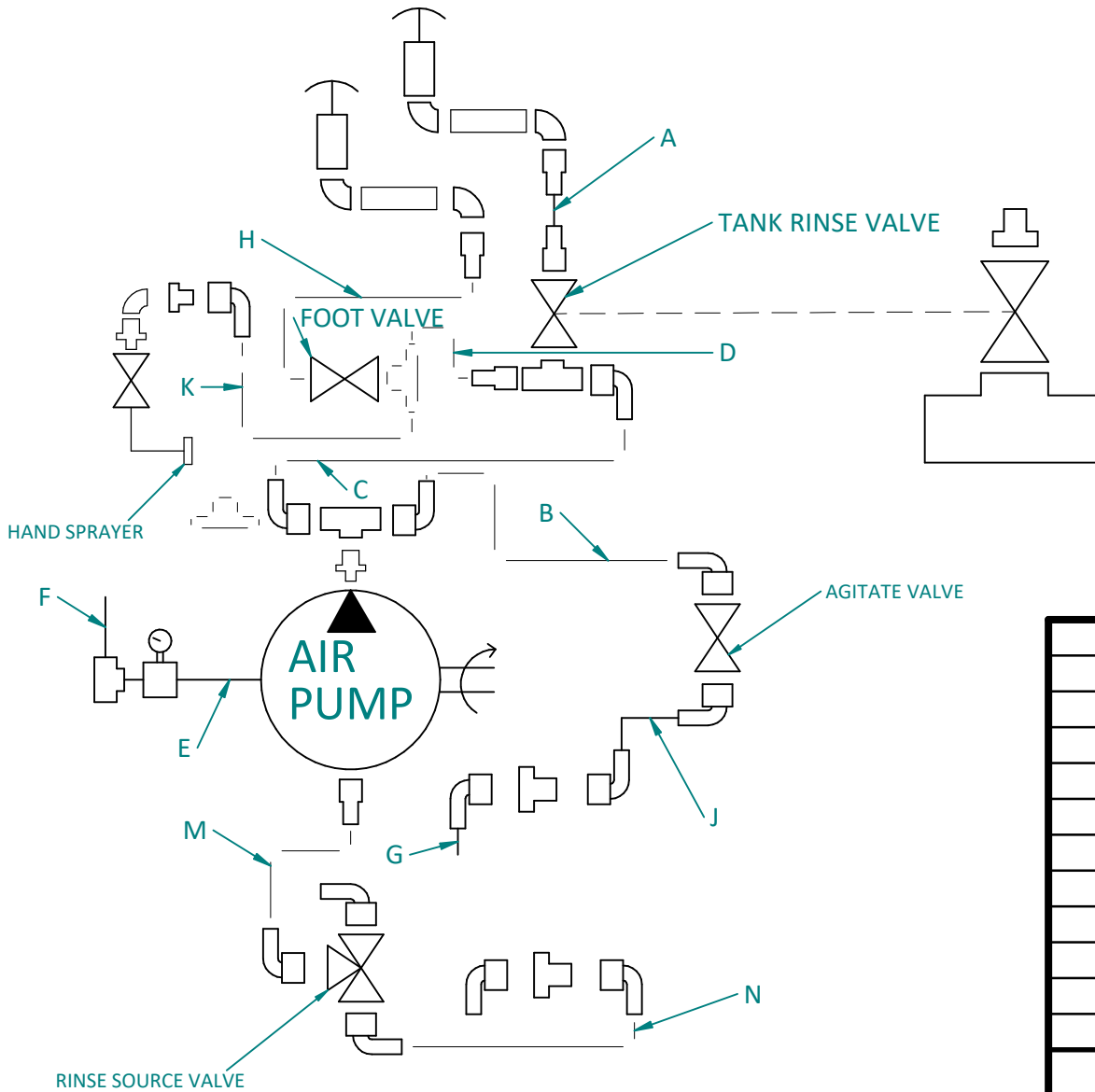
KIT400103



1.4

DASH 1.4 PRIMARY

KIT400103



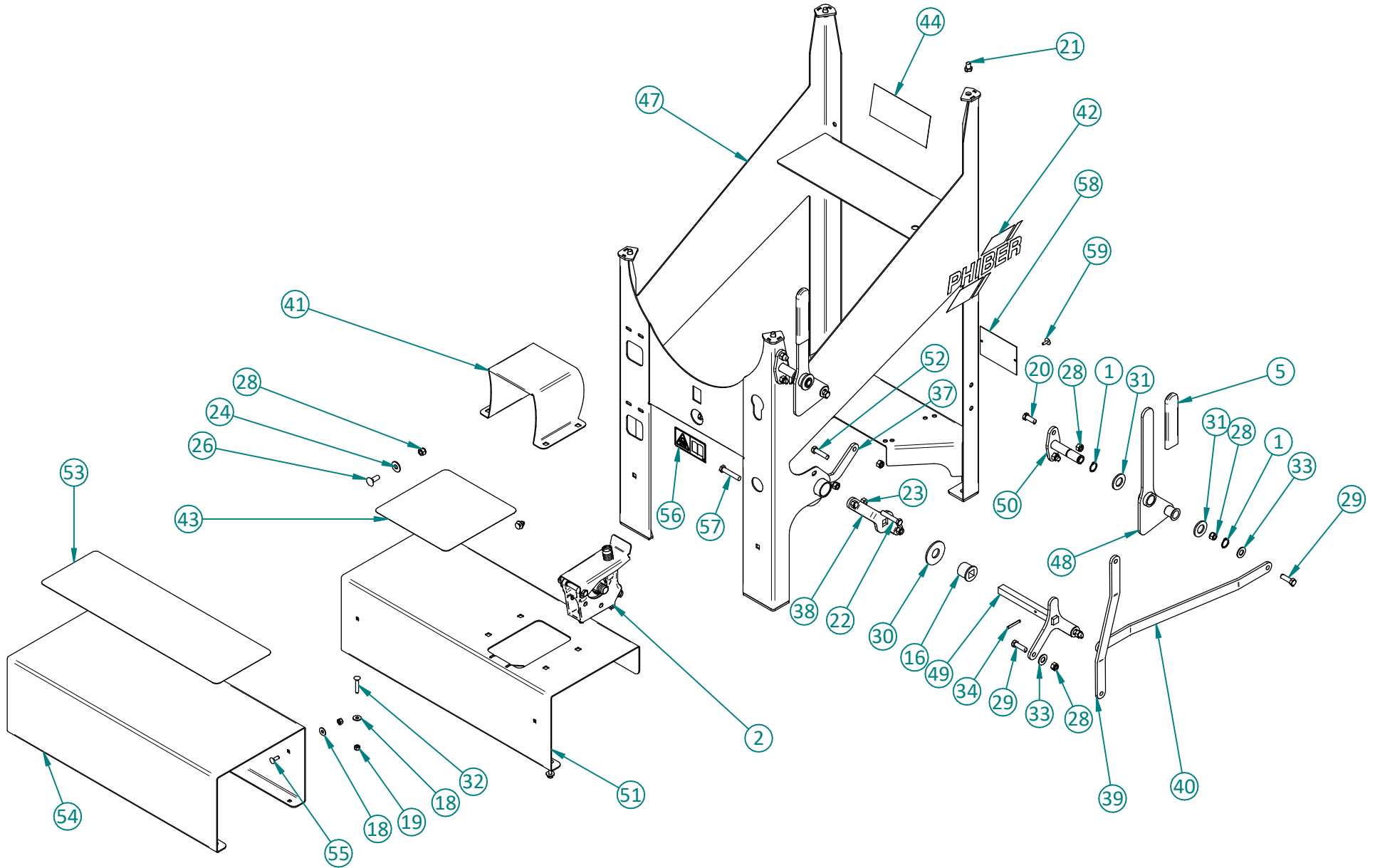
N	HYD100800	1" INDUSTRIAL WATER HOSE	20
M	HYD100800	1" INDUSTRIAL WATER HOSE	16
K	CMP400104	3/4" INDUSTRIAL WATER	30
J	CMP400104	3/4" INDUSTRIAL WATER HOSE	6
H	CMP400104	3/4" INDUSTRIAL WATER HOSE	60
G	CMP400104	3/4" INDUSTRIAL WATER HOSE	7
F	HYD100806	3/8" INDUSTRIAL WATER HOSE	16
E	HYD100978	1/2 AIR BRAKE HOSE	28
D	CMP400104	3/4" INDUSTRIAL WATER HOSE	26
C	CMP400104	3/4" INDUSTRIAL WATER HOSE	15
B	CMP400104	3/4" INDUSTRIAL WATER HOSE	18
A	CMP400104	3/4" INDUSTRIAL WATER HOSE	50
ITEM	PART NO.	DESCRIPTION	LENGTH (IN)

HOSE CUT LIST

1.4

DASH 1.4 SECONDARY

KIT400124



1.4

DASH 1.4 SECONDARY

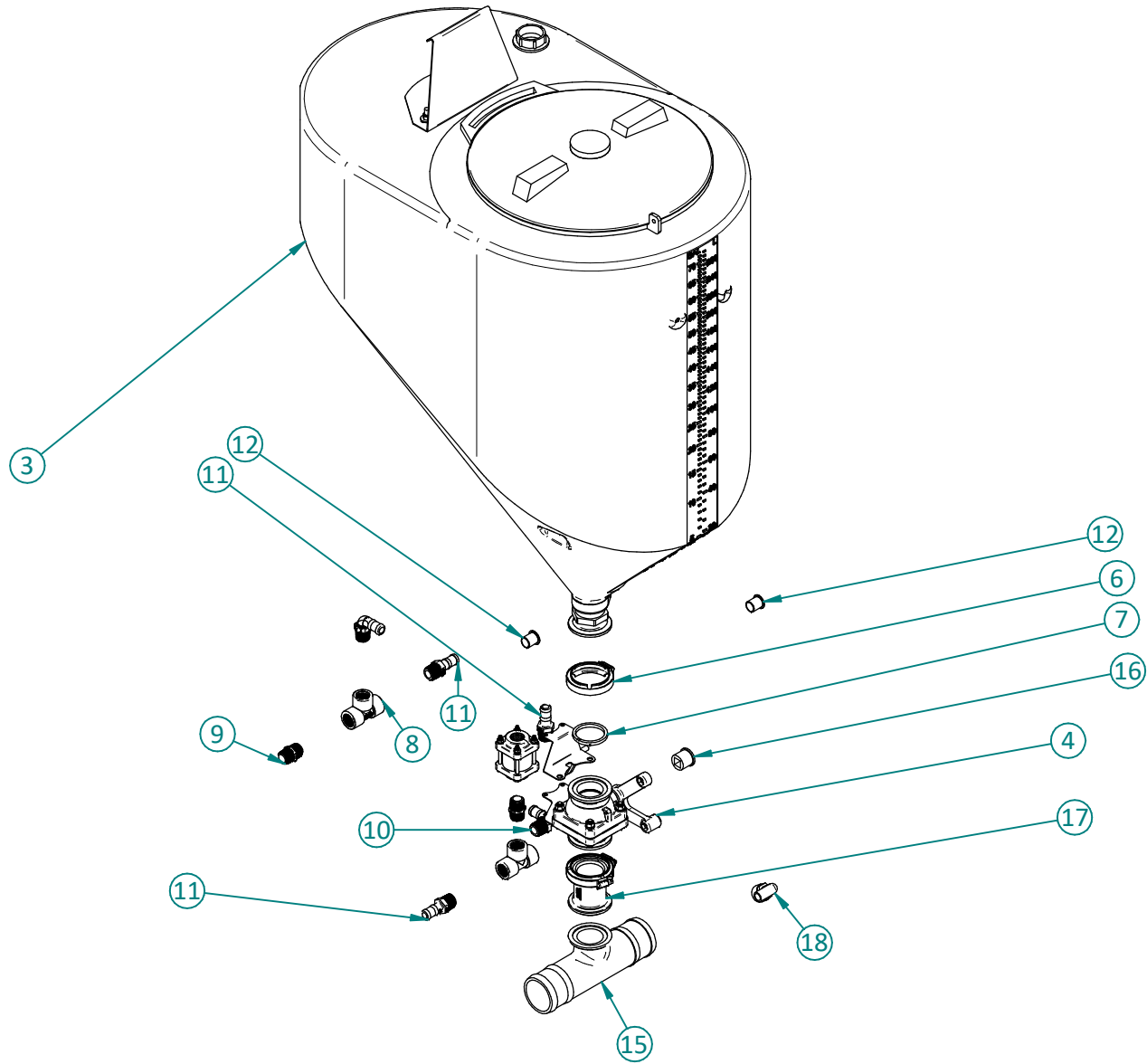
KIT400124

ITEM	PART NO.	DESCRIPTION	QTY	ITEM	PART NO.	DESCRIPTION	QTY
47	SAF400074	PLATFORM ANTI SLIP ROUND CORNER	1	1	300338	SNAP RING EXTERNAL SS 0.75	4
48	SAF400076	STEP ANTI SLIP ROUND CORNER	1	2	ASM400090	FOOT RINSE VALVE ASSY	1
49	SAF400093	DASH 1.4S DECAL	1	3	ASM400108	75 GAL TANK ASSY DS	1
50	SAF400095	CHEMICAL WARNING READ MANUAL DASH 1.4	1	4	ASM400114	D.A.S VALVE ASSEMBLY	1
51	WLD400239	HANDLE WLDT	2	5	CMP400040	HAND GRIP	2
52	WLD400244	HANDLE WLDT	1	6	CMP400134	SS CLAMP 2" FP FLG	3
53	WLD400247	HANDLE PIVOT WLDT	2	7	CMP400136	EPDM GASKET 2" FP FLG	3
54	WLD400302	DASH 1X WORK STEP	1	8	CMP400139	PP TEE 3/4" FNPT X 3/4" FNPT	2
55	WLD400303	INDUCTOR STAND WELDT	1	9	CMP400140	PP ADAPTER 3/4" MNPT X 3/4" MNPT	2
				10	CMP400141	PP ELBOW 90 DEG 3/4" MNPT X 3/4" HB	1
				11	CMP400143	PP ADAPTER 3/4" MNPT X 3/4" HB	3
				12	CMP400172	FLANGE BUSHING .750" X .875" X 1.000"	2
				13*	CMP400224	-12 GEAR CLAMP	7
				14*	CMP400225	-16 GEAR CLAMP	12
				15	CMP400565	PP TEE 2" FP FLG X 3" HB	1
				16	CMP400596	BUSHING	1
				17	CMP400692	PP ADAPTER 2" FP FLG X 2" FP FLG	1
				18	CMP400711	PP ELBOW 3/4" FNPT X 3/4" HB	1
				19	FST100134	1/4" FLAT WASHER	4
				20	FST100135	1/4" LOCK NUT	4
				21	FST100141	3/8" X 1" CAP SCREW	4
				22	FST100142	3/8" X 3/4" CAP SCREW	4
				23	FST100143	3/8" X 2" CAP SCREW	1
				24	FST100148	3/8" NUT	1
				25	FST100150	3/8" FLAT WASHER	2
				26*	FST100182	3/8" X 3" CAP SCREW	2
				27	FST100199	3/8" x 1" CARRIAGE BOLT	6
				28	FST100206	3/8" LOCKNUT	21
				29	FST100228	POP RIVET STEEL 3/16 X 1/2 X 5/8	2
				30	FST100233	1/4" X 3/4" CARRIAGE BOLT	2
				31	FST100241	3/8" X 1 1/4" CAP SCREW	4
				32	FST100257	7/8" FLAT WASHER	1
				33	FST100404	3/4" WASHER HARDENED	4
				34	FST100448	1/4" X 1 1/2" CARRIAGE BOLT	2
				35	FST100732	1/2" NYLON FLAT WASHER	4
				36	FST100872	3/16 X 1 1/2" ROLL PIN	1
				37	FST100900	3/8" X 2" STAINLESS STEEL CAP SCREW	1
				38	FST100935	3/8" X 1 1/2" CAP SCREW SS	2
				39	PCT400743	LINK ARM	1
				40	PCT400748	SHORT LINK PLATE	1
				41	PCT400749	LONG LINK PLATE	1
				42	PCT400838	PEDAL GUARD BRKT	1
				43	PCT400961	LINK ARM	1
				44	PCT400964	STEP BRKT	1
				45	SAF100100	SERIAL NUMBER PLATE	1
				46	SAF100786	PHIBER LOGO DECAL 5.19" X 9.40"	2

1.4

DASH 1.4 SECONDARY

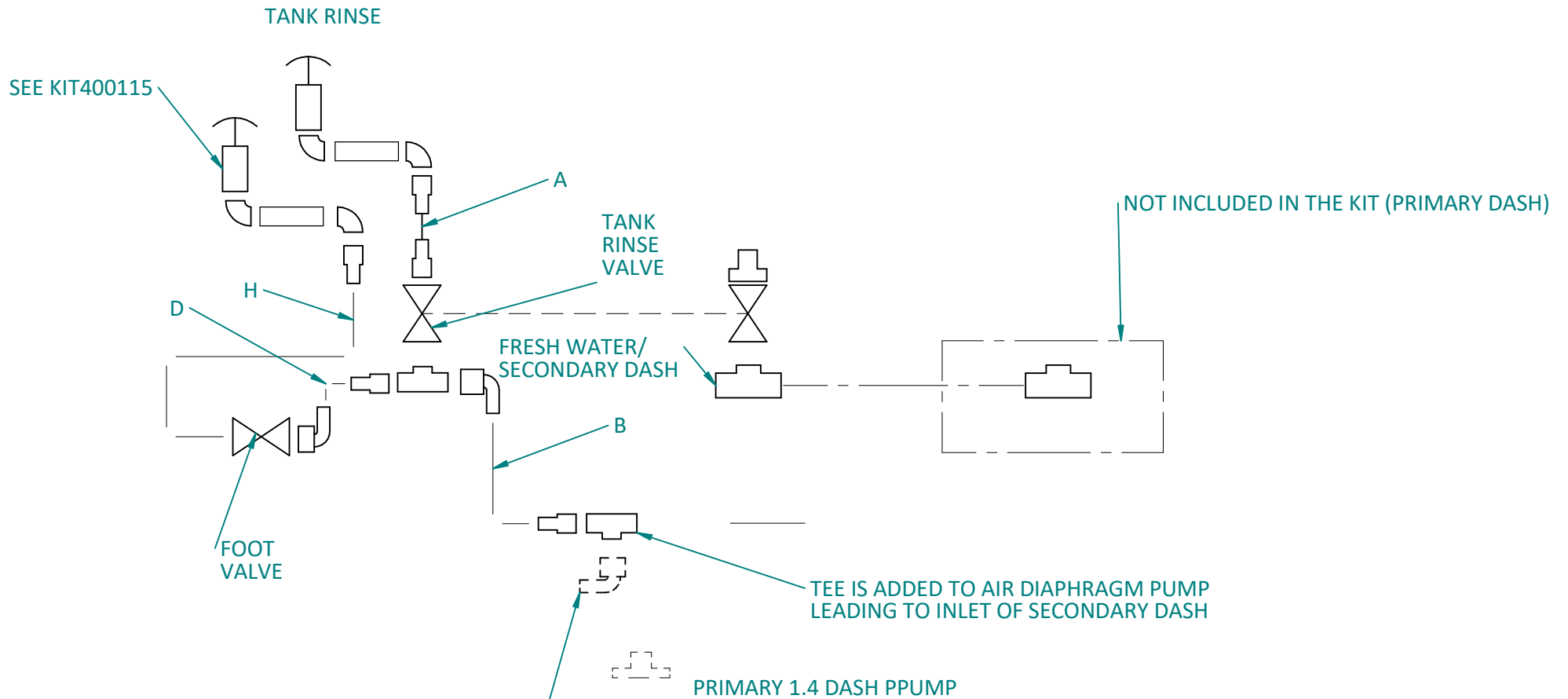
KIT400124



1.4

DASH 1.4 SECONDARY

KIT400124



PLACE HOSE BARB REMOVED FROM PRIMARY

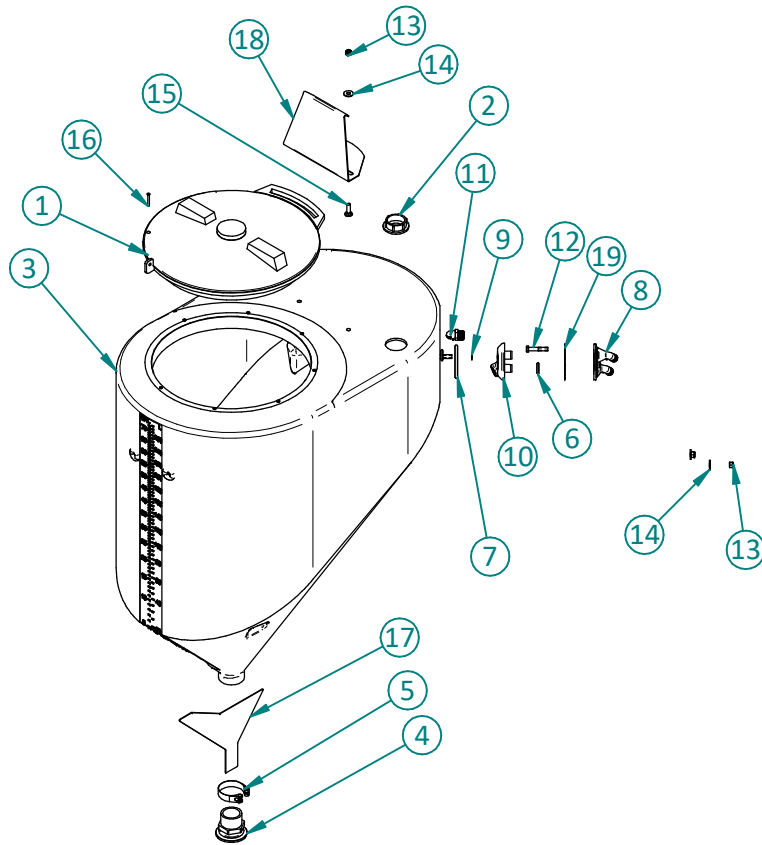
H	CMP400104	3/4" INDUSTRIAL WATER HOSE	60
D	CMP400104	3/4" INDUSTRIAL WATER HOSE	16
B	CMP400104	3/4" INDUSTRIAL WATER HOSE	34
A	CMP400104	3/4" INDUSTRIAL WATER HOSE	45
ITEM	PART NO.	DESCRIPTION	LENGTH (IN)
HOSE CUT LIST			

2.4 / 4.4

75 GAL TANK ASSY DS

ASM400108

SERIAL #XXXXX240337 AND ABOVE



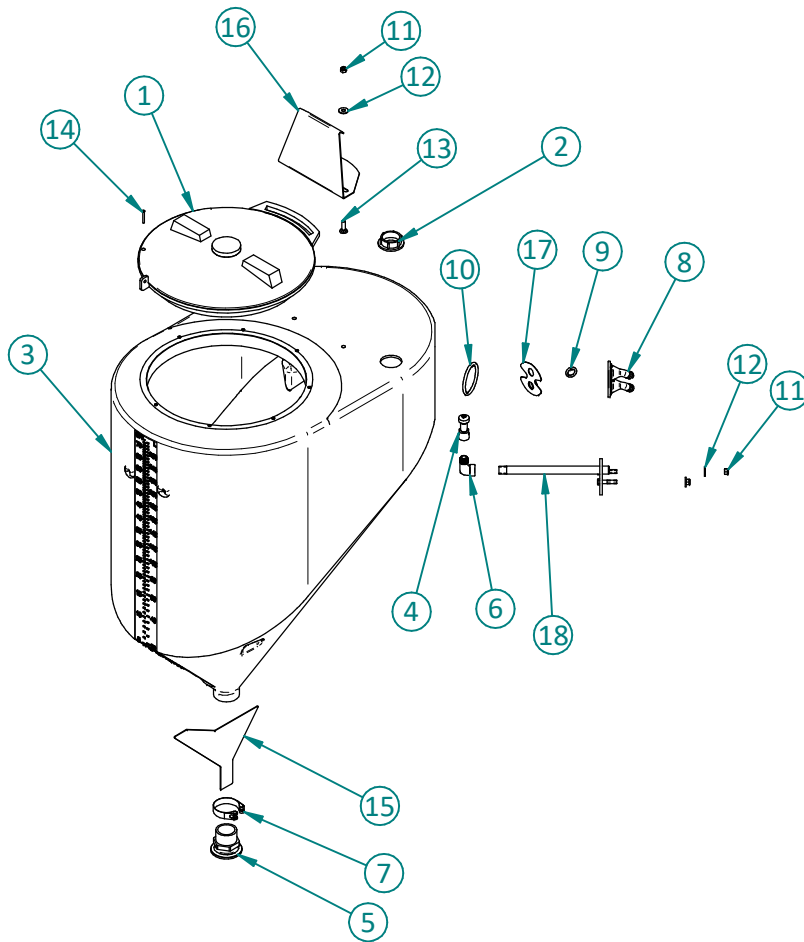
ITEM	PART NO.	DESCRIPTION	QTY
1	CMP400064	16" HINGED LID ASSY (VENTED)	1
2	CMP400329	PL SWF MEMBRANE 1 1/2" FNPT	1
3	CMP400433	TANK 75 GAL	1
4	CMP400542	PP ADAPTER 2" FP FLG X 2" MNPT	1
5	CMP400548	HOSE CLAMP SS T-BOLT 2.50" TO 2.81"	1
6	CMP400676	O-RING (13/16 X 3/16 C/S) 70 DURO BUNA-N RUBBER	2
7	CMP400682	O-RING (3.00 X 1/4 C/S) 70 DURO BUNA-N RUBBER	1
8	CMP400694	DASH TANK RINSE INPUT CASTING DS	1
9	CMP400778	O-RING (.375 X 3/32 C/S) 70 DURO BUNA-N RUBBER	2
10	CMP400785	TANK RINSE BASE CASTING	1
11	CMP400806	TANK RINSE FITTING	1
12	FST100900	3/8" X 2" STAINLESS STEEL CAP SCREW	2
13	FST100909	3/8" SS LOCKNUT	4
14	FST100910	3/8" SS FLAT WASHER	4
15	FST100911	3/8" x 1 1/4" SS CARRIAGE BOLT	2
16	FST100914	#10 X 1 1/2" SS FLAT HEAD TAPPING SCREW	8
17	PCT400548	ANTI VORTEX PLATE 75 GAL	1
18	PCT400637	LID STOP	1
19	PCT400869	RINSE INPUT BACKING PLATE	1

2.4 / 4.4

75 GAL TANK ASSY DS

ASM400075

SERIAL #XXXXX240336 AND BELOW



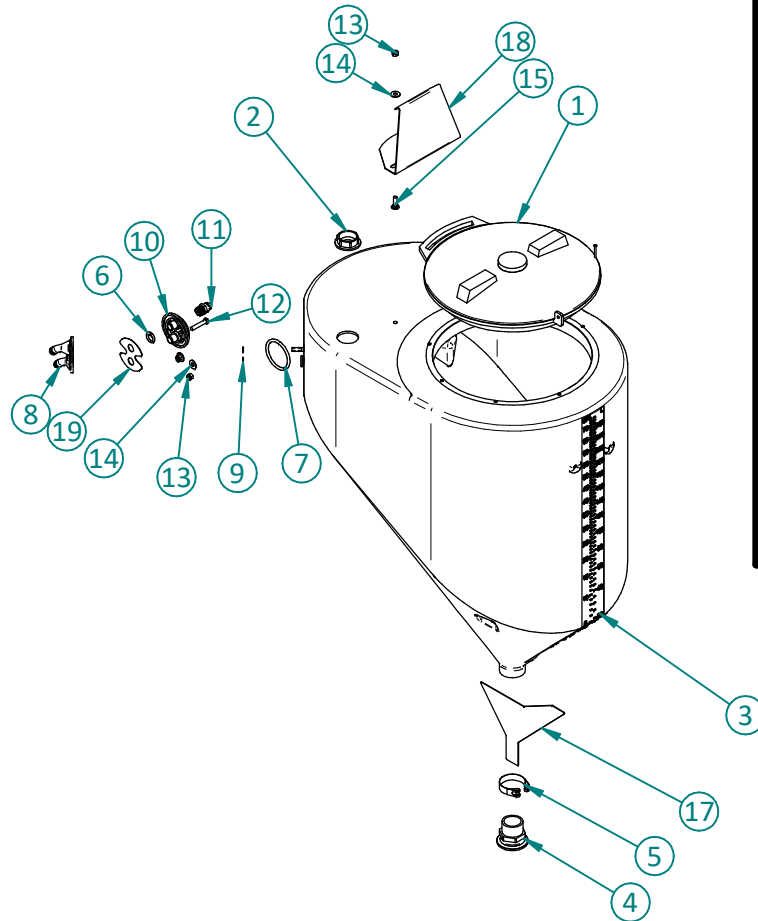
ITEM	PART NO.	DESCRIPTION	QTY
1	CMP400064	16" HINGED LID ASSY (VENTED)	1
2	CMP400329	PL SWF MEMBRANE 1 1/2" FNPT	1
3	CMP400433	TANK 75 GAL	1
4	CMP400460	TANK WASH NOZZLE	1
5	CMP400542	PP ADAPTER 2" FP FLG X 2" MNPT	1
6	CMP400547	SS ELBOW 90 DEG 1/2" FNPT X 1/2" MNPT	1
7	CMP400548	HOSE CLAMP SS T-BOLT 2.50" TO 2.81"	1
8	CMP400665	DASH TANK RINSE INPUT CASTING DS	1
9	CMP400676	O-RING (13/16 X 3/16 C/S) 70 DURO BUNA-N RUBBER	2
10	CMP400682	O-RING (3.00 X 1/4 C/S) 70 DURO BUNA-N RUBBER	1
11	FST100909	3/8" SS LOCKNUT	4
12	FST100910	3/8" SS FLAT WASHER	4
13	FST100911	3/8" x 1 1/4" SS CARRIAGE BOLT	2
14	FST100914	#10 X 1 1/2" SS FLAT HEAD TAPPING SCREW	8
15	PCT400548	ANTI VORTEX PLATE 75 GAL	1
16	PCT400637	LID STOP	1
17	PCT400869	RINSE INPUT BACKING PLATE	1
18	WLD400273	TANK RINSE TUBE WLDT	1

2.4 / 4.4

75 GAL TANK ASSY AH

ASM400107

SERIAL #XXXXX240337 AND ABOVE



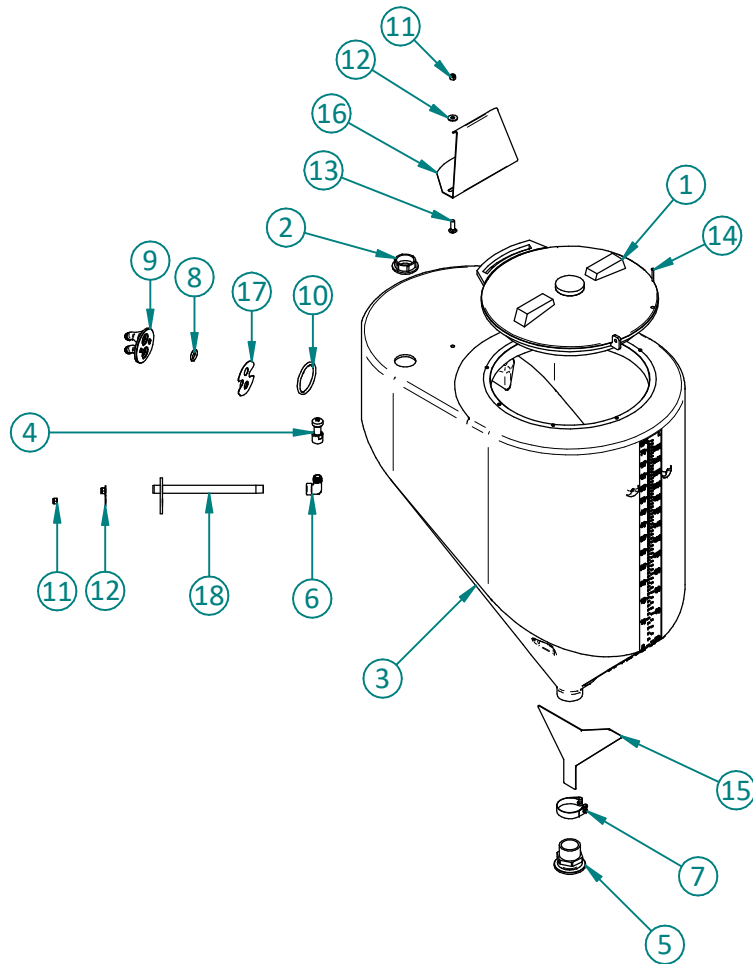
ITEM	PART NO.	DESCRIPTION	QTY
1	CMP400064	16" HINGED LID ASSY (VENTED)	1
2	CMP400329	PL SWF MEMBRANE 1 1/2" FNPT	1
3	CMP400433	TANK 75 GAL	1
4	CMP400542	PP ADAPTER 2" FP FLG X 2" MNPT	1
5	CMP400548	HOSE CLAMP SS T-BOLT 2.50" TO 2.81"	1
6	CMP400676	O-RING (13/16 X 3/16 C/S) 70 DURO BUNA-N RUBBER	2
7	CMP400682	O-RING (3.00 X 1/4 C/S) 70 DURO BUNA-N RUBBER	1
8	CMP400695	DASH RINSE INPUT CASTING AH	1
9	CMP400778	O-RING (.375 X 3/32 C/S) 70 DURO BUNA-N RUBBER	2
10	CMP400789	TANK RINSE BASE CASTING OPP	1
11	CMP400806	TANK RINSE FITTING	1
12	FST100900	3/8" X 2" STAINLESS STEEL CAP SCREW	2
13	FST100909	3/8" SS LOCKNUT	4
14	FST100910	3/8" SS FLAT WASHER	4
15	FST100911	3/8" x 1 1/4" SS CARRIAGE BOLT	2
16	FST100914	#10 X 1 1/2" SS FLAT HEAD TAPPING SCREW	8
17	PCT400548	ANTI VORTEX PLATE 75 GAL	1
18	PCT400637	LID STOP	1
19	PCT400869	RINSE INPUT BACKING PLATE	1

2.4 / 4.4

75 GAL TANK ASSY AH

ASM400080

SERIAL #XXXXX240336 AND BELOW



ITEM	PART NO.	DESCRIPTION	QTY
1	CMP400064	16" HINGED LID ASSY (VENTED)	1
2	CMP400329	PL SWF MEMBRANE 1 1/2" FNPT	1
3	CMP400433	TANK 75 GAL	1
4	CMP400460	TANK WASH NOZZLE	1
5	CMP400542	PP ADAPTER 2" FP FLG X 2" MNPT	1
6	CMP400547	SS ELBOW 90 DEG 1/2" FNPT X 1/2" MNPT	1
7	CMP400548	HOSE CLAMP SS T-BOLT 2.50" TO 2.81"	1
8	CMP400676	O-RING (1 3/16 X 3/16 C/S) 70 DURO BUNA-N RUBBER	2
9	CMP400677	DASH RINSE INPUT CASTING AH	1
10	CMP400682	O-RING (3.00 X 1/4 C/S) 70 DURO BUNA-N RUBBER	1
11	FST100909	3/8" SS LOCKNUT	4
12	FST100910	3/8" SS FLAT WASHER	4
13	FST100911	3/8" x 1 1/4" SS CARRIAGE BOLT	2
14	FST100914	#10 X 1 1/2" SS FLAT HEAD TAPPING SCREW	8
15	PCT400548	ANTI VORTEX PLATE 75 GAL	1
16	PCT400637	LID STOP	1
17	PCT400869	RINSE INPUT BACKING PLATE	1
18	WLD400274	TANK RINSE TUBE WLDT B	1

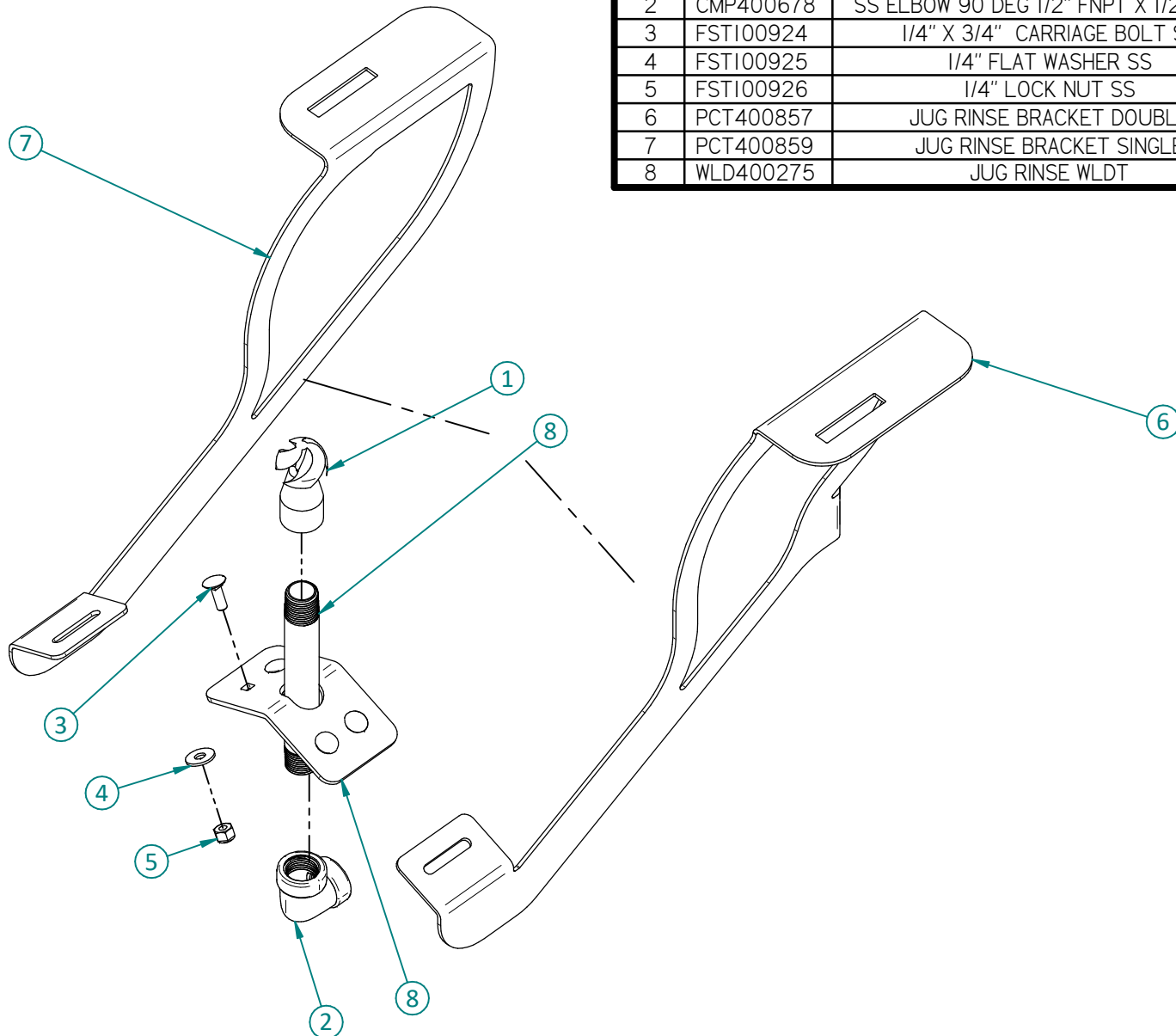
2.4 / 4.4

JUG RINSE KIT X

KIT400115

SERIAL #DM000240336 AND BELOW

ITEM	PART NO.	DESCRIPTION	QTY
1	CMP400061	RINSING NOZZLE	1
2	CMP400678	SS ELBOW 90 DEG 1/2" FNPT X 1/2" FNPT	1
3	FST100924	1/4" X 3/4" CARRIAGE BOLT SS	4
4	FST100925	1/4" FLAT WASHER SS	4
5	FST100926	1/4" LOCK NUT SS	4
6	PCT400857	JUG RINSE BRACKET DOUBLE	1
7	PCT400859	JUG RINSE BRACKET SINGLE	1
8	WLD400275	JUG RINSE WLDT	1



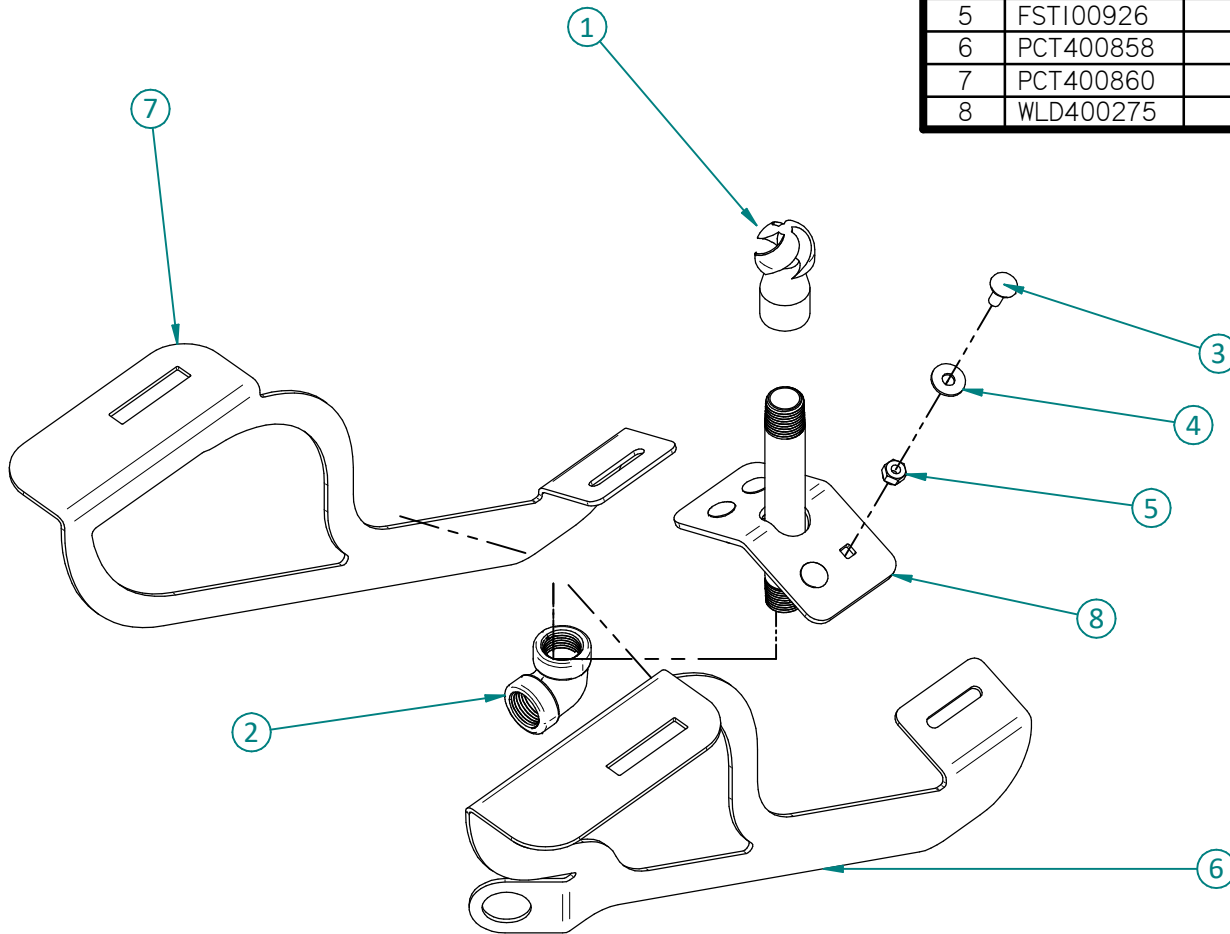
2.4 / 4.4

JUG RINSE KIT Y

KIT400116

SERIAL #XXXXX240336 AND BELOW

ITEM	PART NO.	DESCRIPTION	QTY
1	CMP400061	RINSING NOZZLE	1
2	CMP400678	SS ELBOW 90 DEG 1/2" FNPT X 1/2" FNPT	1
3	FST100924	1/4" X 3/4" CARRIAGE BOLT SS	4
4	FST100925	1/4" FLAT WASHER SS	4
5	FST100926	1/4" LOCK NUT SS	4
6	PCT400858	JUG RINSE BRACKET DOUBLE	1
7	PCT400860	JUG RINSE BRACKET SINGLE	1
8	WLD400275	JUG RINSE WLDT	1



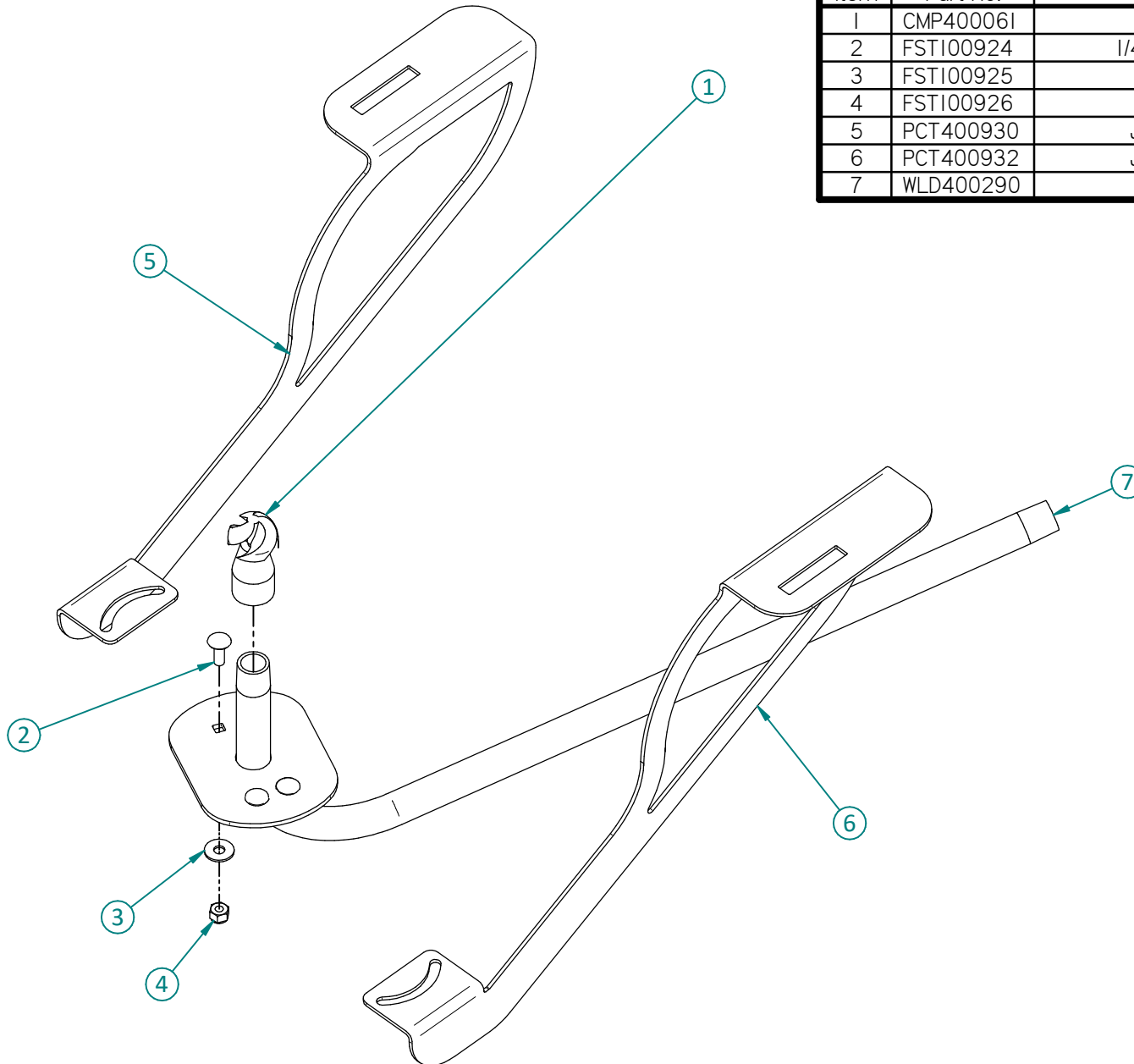
2.4 / 4.4

JUG RINSE KIT

KIT400138

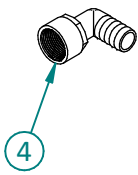
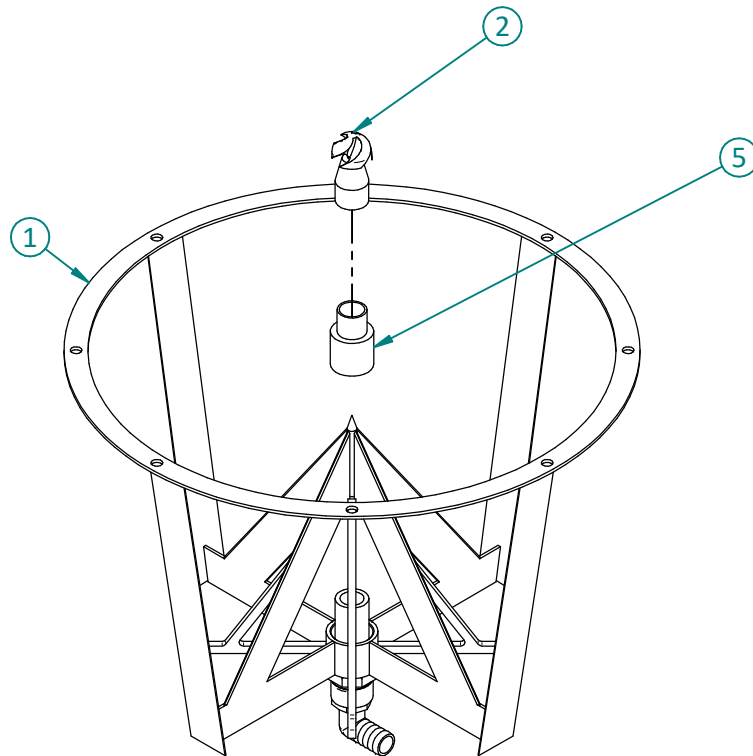
SERIAL #DM000240337 AND ABOVE

Item	Part NO.	Description	QTY
1	CMP400061	RINSING NOZZLE	1
2	FST100924	1/4" X 3/4" CARRIAGE BOLT SS	4
3	FST100925	1/4" FLAT WASHER SS	4
4	FST100926	1/4" LOCK NUT SS	4
5	PCT400930	JUG RINSE BRACKET SINGLE	1
6	PCT400932	JUG RINSE BRACKET SINGLE	1
7	WLD400290	JUG RINSE WLDT	2



2.4 / 4.4**DASH 4.4 KNIFE KIT****KIT400119**

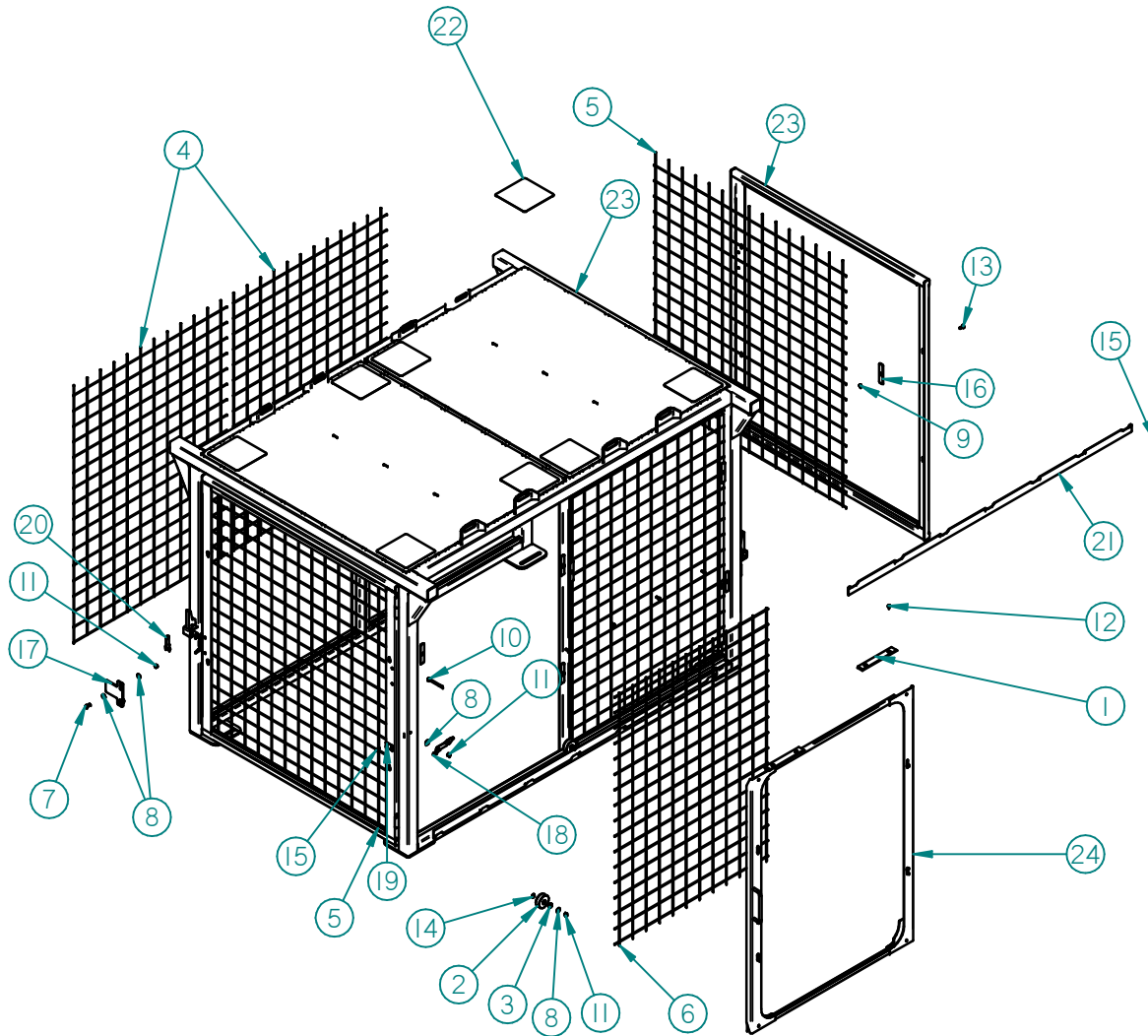
Item	Part NO.	Description	QTY
1	CMP400060	TANK KNIFE	1
2	CMP400061	RINSING NOZZLE	1
3*	CMP400104	3/4" INDUSTRIAL WATER HOSE	15 IN
4	CMP400186	PP ELBOW 90 DEG 1/2" FNPT X 3/4" HB	1
5	CMP400187	3/4" SOCKET X MPT PVC ADAPTER	1



2.4 / 4.4

CAGE 6' GEN 4

KIT400079

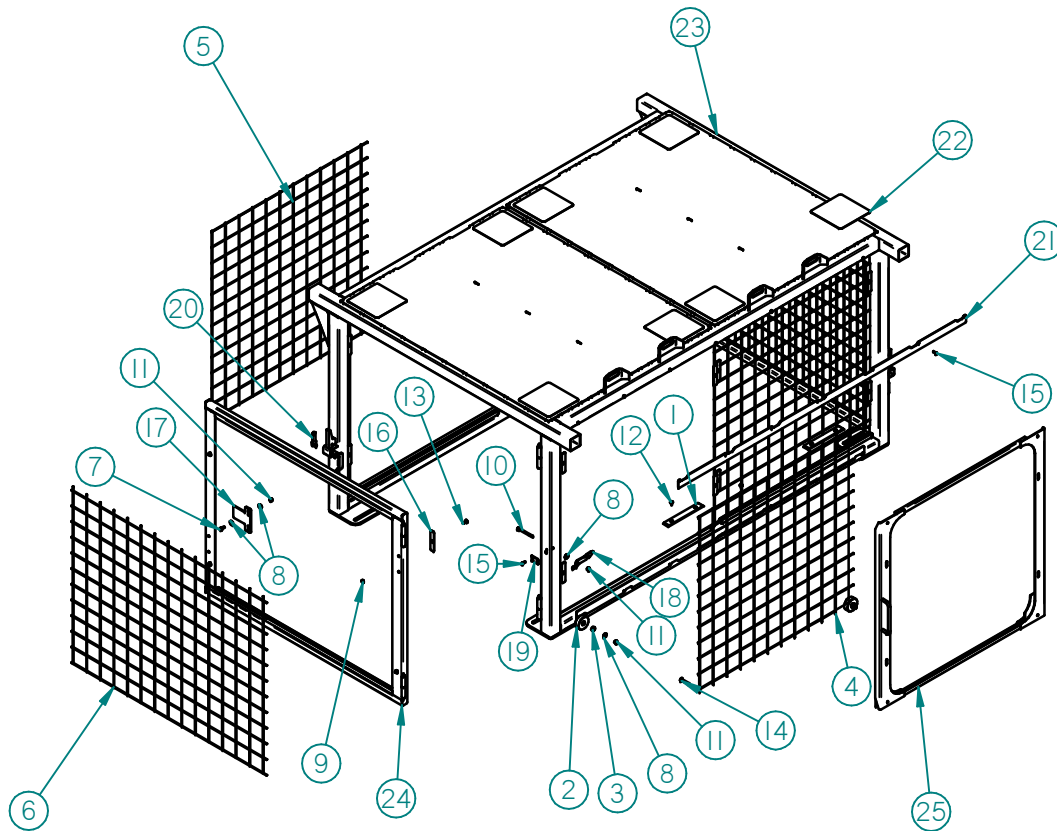


Item	Part NO.	Description	QTY
1	CMP100147	PLASTIC STRIP BOTTOM	2
2	CMP400353	DOOR ROLLER	2
3	CMP400374	BEARING, 1604-2RS	6
4	CMP400495	CAGE SHEET	3
5	CMP400500	HINGE DOOR SHEET	2
6	CMP400848	6' CAGE SLIDING DOOR MESH	1
7	FST100141	3/8" X 1" CAP SCREW	4
8	FST100150	3/8" FLAT WASHER	12
9	FST100173	5/16" LOCK NUT	24
10	FST100200	3/8" X 4" CAP SCREW	1
11	FST100206	3/8" LOCKNUT	7
12	FST100228	POP RIVET STEEL 3/16 X 1/2 X 5/8	4
13	FST100344	5/16" x 1" CARRIAGE BOLT	24
14	FST100833	3/8" X 2" FLAT HEAD CAP SCREW	2
15	FST100894	1/4" x 3/4" THREAD CUTTING SCREW	9
16	PCT400252	WIRE CLAMP PLATE	24
17	PCT400334	DOOR CATCH	2
18	PCT400342	LATCH PLATE	1
19	PCT400343	DOOR LOCK PLATE	1
20	PCT400346	LATCH PLATE	2
21	PCT400587	SLIDE DOOR TOP GUIDE PLATE	1
22	SAF400074	PLATFORM ANTI SLIP ROUND CORNER	8
23	WLD400191	6' CAGE WELDMENT	1
24	WLD400300	SLIDING DOOR	1

2.4 / 4.4

CAGE 5' GEN 4

KIT400080



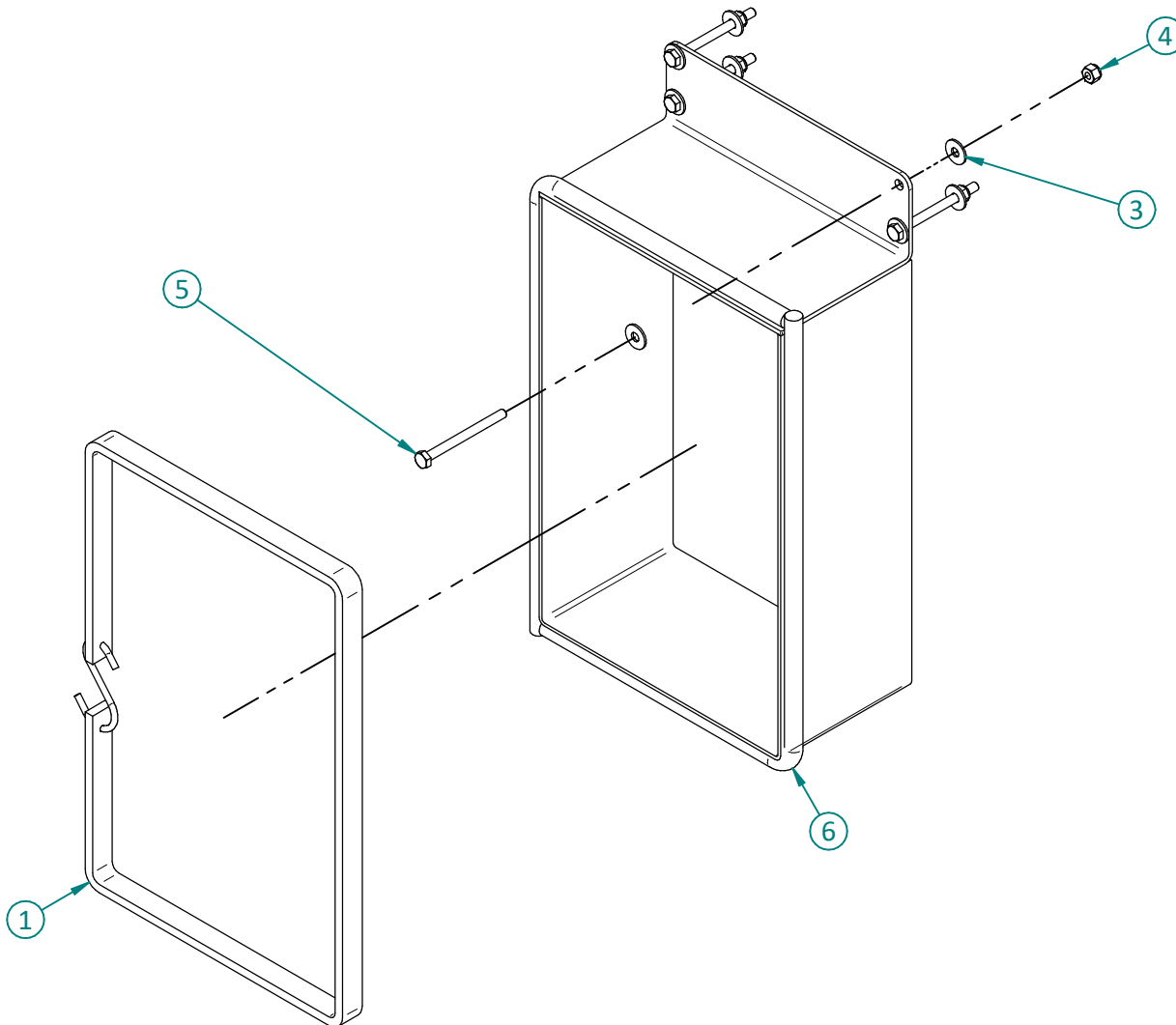
Item	Part NO.	Description	QTY
1	CMP100147	PLASTIC STRIP BOTTOM	2
2	CMP400353	DOOR ROLLER	2
3	CMP400374	BEARING, I604-2RS	6
4	CMP400496	SLIDING DOOR CAGE SHEET	1
5	CMP400497	CAGE SHEET	3
6	CMP400502	HINGE DOOR SHEET	2
7	FST100141	3/8" X 1" CAP SCREW	4
8	FST100150	3/8" FLAT WASHER	12
9	FST100173	5/16" LOCK NUT	24
10	FST100200	3/8" X 4" CAP SCREW	1
11	FST100206	3/8" LOCKNUT	7
12	FST100228	POP RIVET STEEL 3/16 X 1/2 X 5/8	4
13	FST100344	5/16" X 1" CARRIAGE BOLT	24
14	FST100833	3/8" X 2" FLAT HEAD CAP SCREW	2
15	FST100894	1/4" X 3/4" THREAD CUTTING SCREW	9
16	PCT400252	WIRE CLAMP PLATE	24
17	PCT400334	DOOR CATCH	2
18	PCT400342	LATCH PLATE	1
19	PCT400343	DOOR LOCK PLATE	1
20	PCT400346	LATCH PLATE	2
21	PCT400587	SLIDE DOOR TOP GUIDE PLATE	1
22	SAF400074	PLATFORM ANTI SLIP ROUND CORNER	8
23	WLD400189	5' CAGE WELDMENT	1
24	WLD400190	SWING DOOR WELDMENT	2
25	WLD400301	SLIDING DOOR SHORT	1

2.4 / 4.4

BAG HOLDER

KIT400088

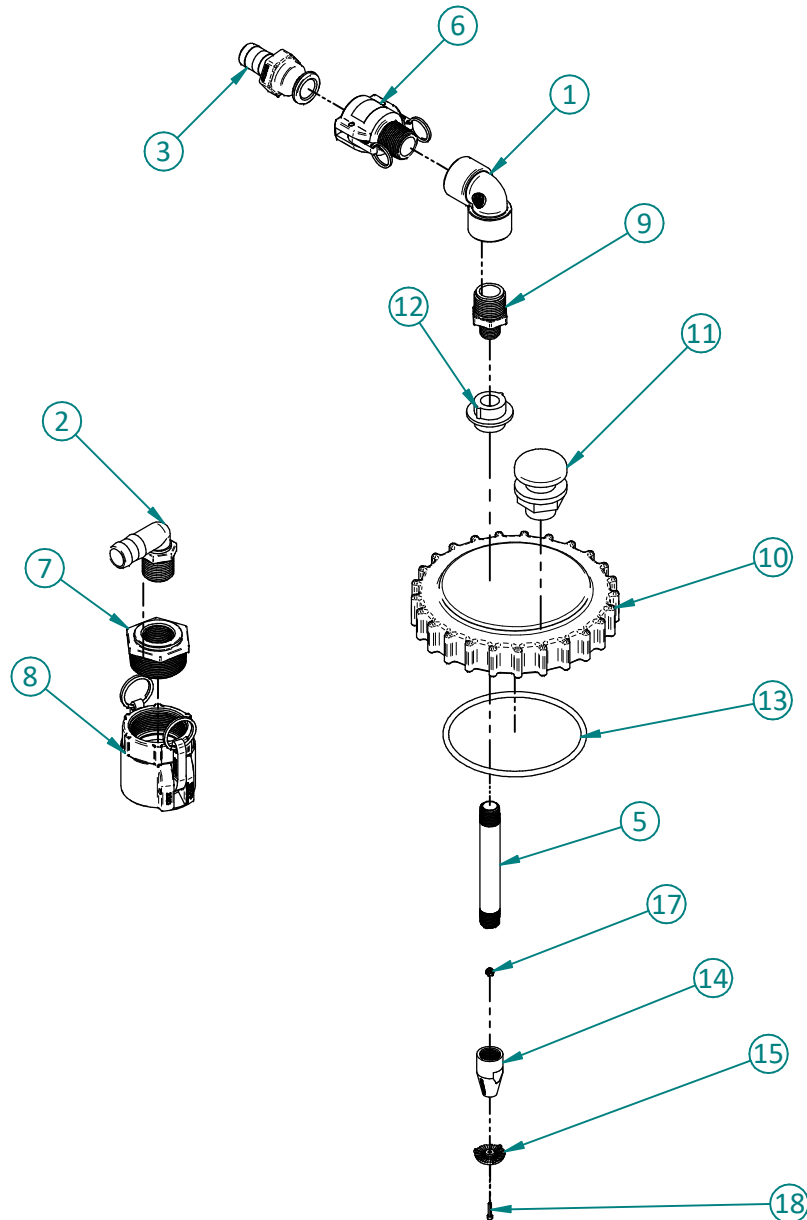
Item	Part NO.	Description	QTY
1	CMP400576	41" RUBBER TARP STRAP	1
2	DOC400061	TOTE BAG KIT QUICK START GUIDE	1
3	FST100134	1/4" FLAT WASHER	8
4	FST100135	1/4" LOCK NUT	4
5	FST100172	1/4" X 3" BOLT	4
6	WLD400199	BAG MOUNT WLDT	1



2.4 / 4.4

TOTE RINSE KIT

KIT400085



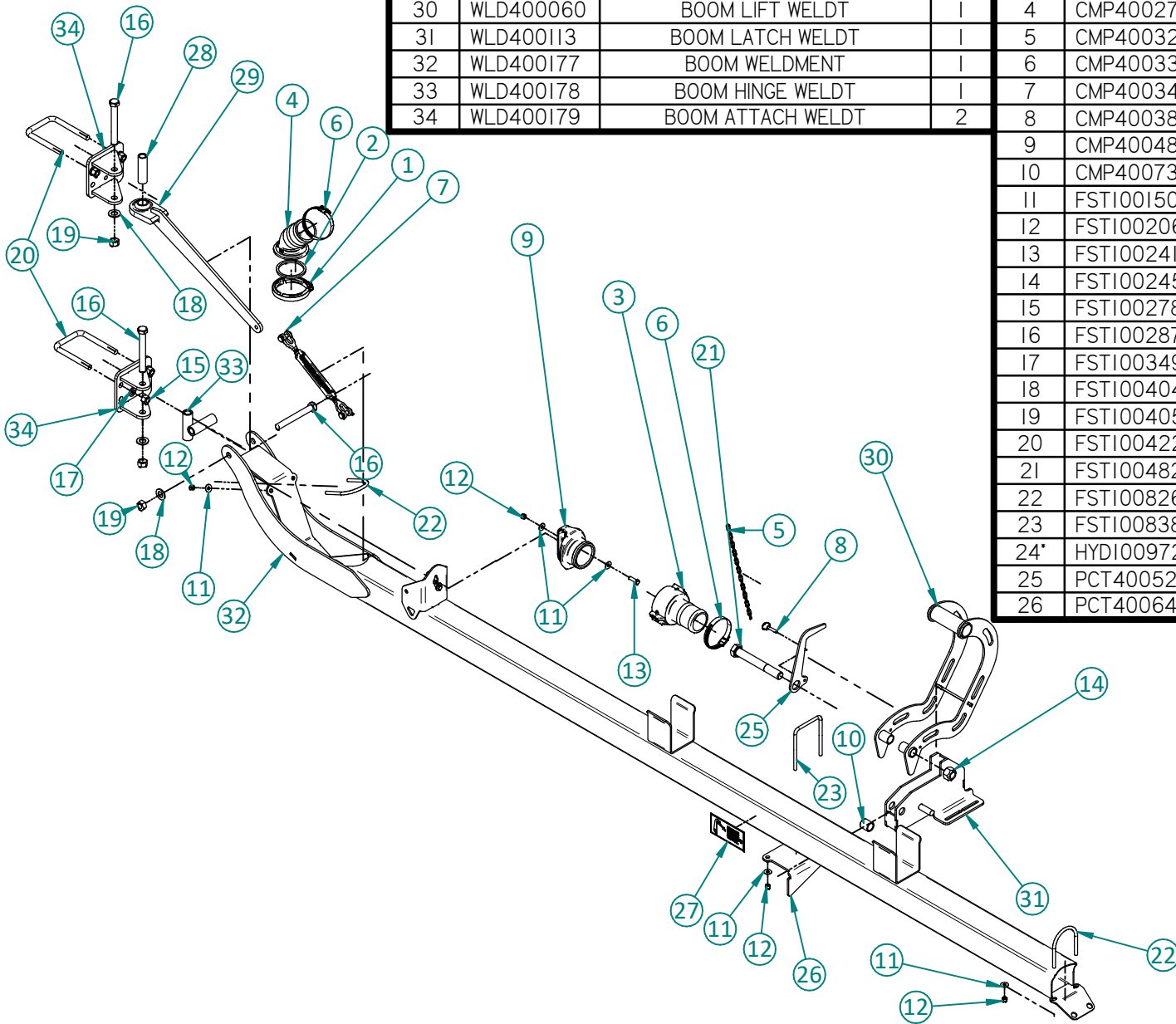
ITEM	PART NO.	DESCRIPTION	QTY
1	CMP400027	PP ELBOW 90 DEG 1" FNPT X 1" FNPT	1
2	CMP400037	PP ELBOW 90 DEG 1" MNPT X 1" HB	1
3	CMP400209	PP ADAPTER 1" HB X 1" MQDC	1
4*	CMP400225	-16 GEAR CLAMP	2
5	CMP400230	SS ADAPTER 6" LONG 1/2" MNPT X 1/2" MNPT	1
6	CMP400305	PP ADAPTER 1" MNPT X 1" FQDC	1
7	CMP400307	PP ADAPTER 2" MNPT X 1" FNPT	1
8	CMP400309	PP ADAPTER 2" FNPT X 2" FQDC	1
9	CMP400504	PP ADAPTER 1" MNPT X 1/2" MNPT	1
10	CMP400506	6.5" IBC TANK LID	1
11	CMP400507	TANK AIR VENT	1
12	CMP400508	PL SWF 1/2" FNPT X 1/2" FNPT	1
13	CMP400712	O-RING (MI40 X M6 C/S) 70 DURO EPDM RUBBER	1
14	CMP400757	RINSE BASE	1
15	CMP400768	TOTE RINSE TOP	1
16*	DOC400050	TOTE RINSE QUICK START MANUAL	1
17	FST100940	#6-32 LOCK NUT SS	1
18	FST100941	#6-32 X 5/8" SOCKET HEAD CAP SCREW SS	1
19*	HYDI00800	1" INDUSTRIAL WATER HOSE	1

2.4 / 4.4

BOOM ARM KIT GEN 3

KIT400075

Item	Part NO.	Description	QTY	Item	Part NO.	Description	QTY
27	SAF400038	DECAL BOOM LATCH	1	1	CMP400004	SS CLAMP 3" FLG	1
28	SAW400395	BUSHING TUBE	1	2	CMP400005	EPDM GASKET 3" FLG	1
29	WLD400042	BOOM GUSSET ARM WELDT	1	3	CMP400232	PP ADAPTER 3" HB X 3" FQDC	1
30	WLD400060	BOOM LIFT WELDT	1	4	CMP400273	PP ELBOW 45 DEG 3" FLG X 3" HB	1
31	WLD400113	BOOM LATCH WELDT	1	5	CMP400324	#4 STRAIGHT LINK CHAIN	1
32	WLD400177	BOOM WELDMENT	1	6	CMP400331	GEAR CLAMP HD 3.31"-4.00"	2
33	WLD400178	BOOM HINGE WELDT	1	7	CMP400348	1/2" X 6" TURNBUCKLE	1
34	WLD400179	BOOM ATTACH WELDT	2	8	CMP400381	5/16 X 1" QUICK RELEASE PIN	1
				9	CMP400483	PP PLUG 3" MQDC	1
				10	CMP400735	SLEEVE BEARING, 1" X 1-1/4" X 1-1/4" LONG	1
				11	FST100150	3/8" FLAT WASHER	10
				12	FST100206	3/8" LOCKNUT	8
				13	FST100241	3/8" X 1 1/4" CAP SCREW	2
				14	FST100245	1" LOCKNUT	1
				15	FST100278	5/8" CRIMP NUT	4
				16	FST100287	3/4" X 6" CAP SCREW	3
				17	FST100349	5/8" HARDENED WASHER	4
				18	FST100404	3/4" WASHER HARDENED	3
				19	FST100405	3/4" CRIMP NUT	3
				20	FST100422	5/8" X 4" X 4" U-BOLT	2
				21	FST100482	1" X 7 1/2" BOLT	1
				22	FST100826	3/8" X 3 1/2" X 4 3/4" U-BOLT	2
				23	FST100838	3/8" X 4" X 6" U-BOLT	1
				24'	HYD100972	HOSE EPDM SUCTION 3" GREY	33 FT
				25	PCT400526	BOOM LATCH PLATE	1
				26	PCT400648	BOOM RAMP	1



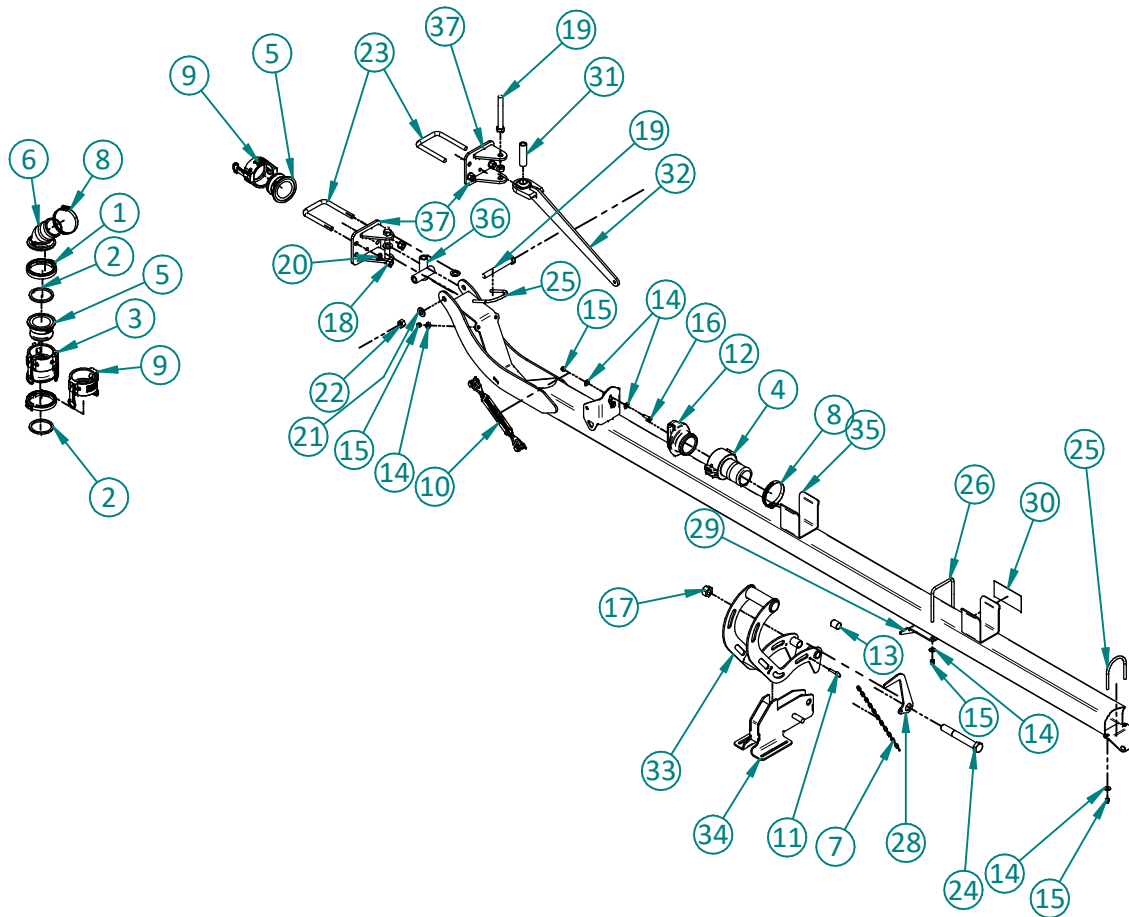
2.4 / 4.4

DUAL BOOM ARM KIT GEN 3

KIT400084

ITEM	PART NO.	DESCRIPTION	QTY
35	WLD400177	BOOM WELDMENT	1
36	WLD400178	BOOM HINGE WELDT	1
37	WLD400179	BOOM ATTACH WELDT	2

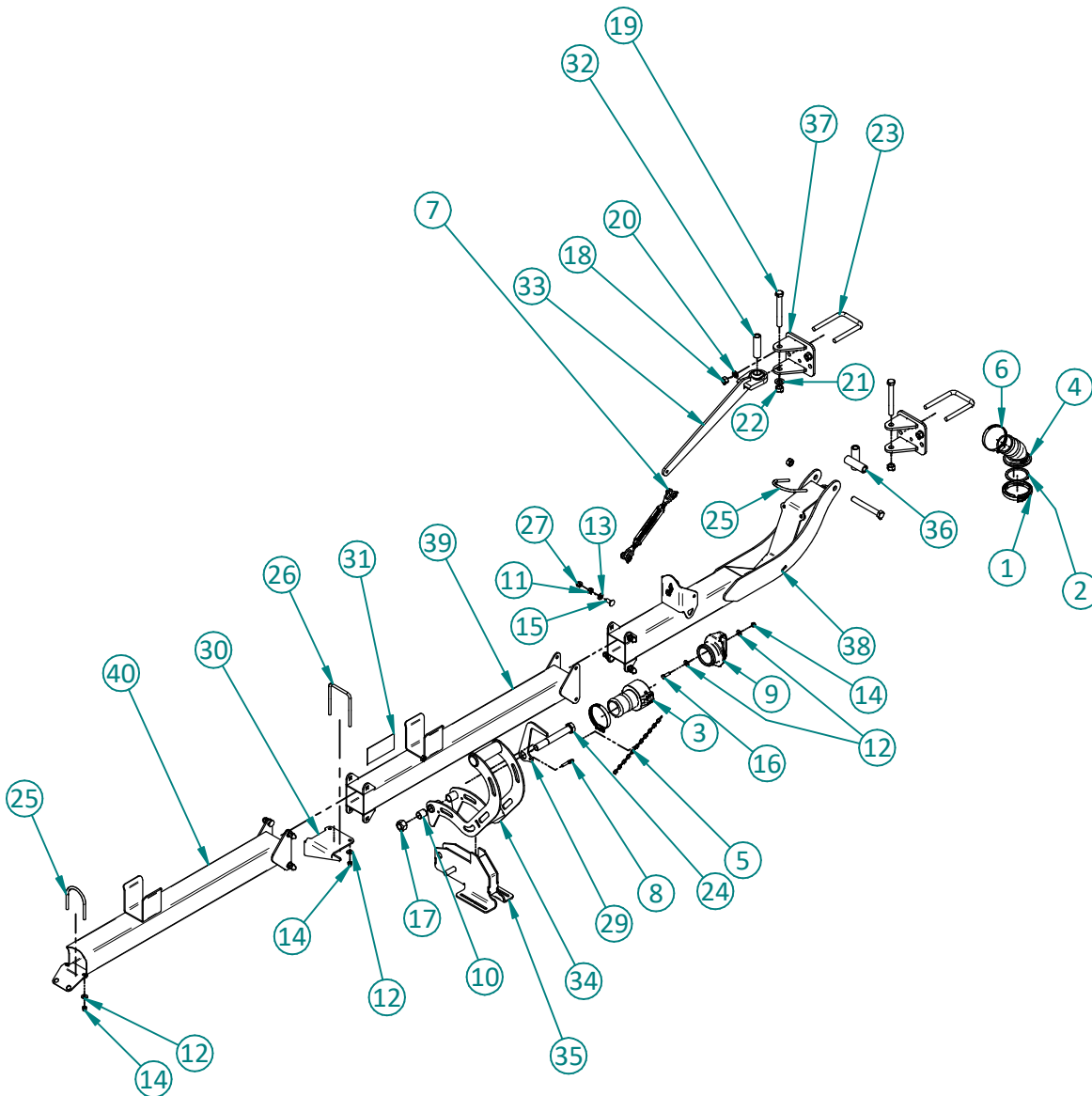
ITEM	PART NO.	DESCRIPTION	QTY
1	CMP400004	SS CLAMP 3" FLG	2
2	CMP400005	EPDM GASKET 3" FLG	2
3	CMP400030	PP ADAPTER 3" FLG X 3" FQDC	1
4	CMP400232	PP ADAPTER 3" HB X 3" FQDC	1
5	CMP400243	PP ADAPTER 3" FLG X 3" MQDC	2
6	CMP400273	PP ELBOW 45 DEG 3" FLG X 3" HB	1
7	CMP400324	#4 STRAIGHT LINK CHAIN	1
8	CMP400331	GEAR CLAMP HD 3.31"-4.00"	2
9	CMP400335	PP CAP 3" FQDC	2
10	CMP400348	1/2" X 6" TURNBUCKLE	1
11	CMP400381	5/16 X 1" QUICK RELEASE PIN	1
12	CMP400483	PP PLUG 3" MQDC	1
13	CMP400710	SLEEVE BEARING, 1" X 1-1/8" X 1-1/4" LONG	1
14	FST100150	3/8" FLAT WASHER	10
15	FST100206	3/8" LOCKNUT	8
16	FST100241	3/8" X 1 1/4" CAP SCREW	2
17	FST100245	1" LOCKNUT	1
18	FST100278	5/8" CRIMP NUT	4
19	FST100287	3/4" X 6" CAP SCREW	3
20	FST100349	5/8" HARDENED WASHER	4
21	FST100404	3/4" WASHER HARDENED	3
22	FST100405	3/4" CRIMP NUT	3
23	FST100422	5/8" X 4" X 4" U-BOLT	2
24	FST100482	1" X 7 1/2" BOLT	1
25	FST100826	3/8" X 3 1/2" X 4 3/4" U-BOLT	2
26	FST100838	3/8" X 4" X 6" U-BOLT	1
27	HYD100972	HOSE EPDM SUCTION 3" GREY	40 FT
28	PCT400526	BOOM LATCH PLATE	1
29	PCT400648	BOOM RAMP	1
30	SAF400038	DECAL BOOM LATCH	1
31	SAW400395	BUSHING TUBE	1
32	WLD400042	BOOM GUSSET ARM WELDT	1
33	WLD400060	BOOM LIFT WELDT	1
34	WLD400113	BOOM LATCH WELDT	1



2.4 / 4.4

BOOM ARM KIT SECTIONAL

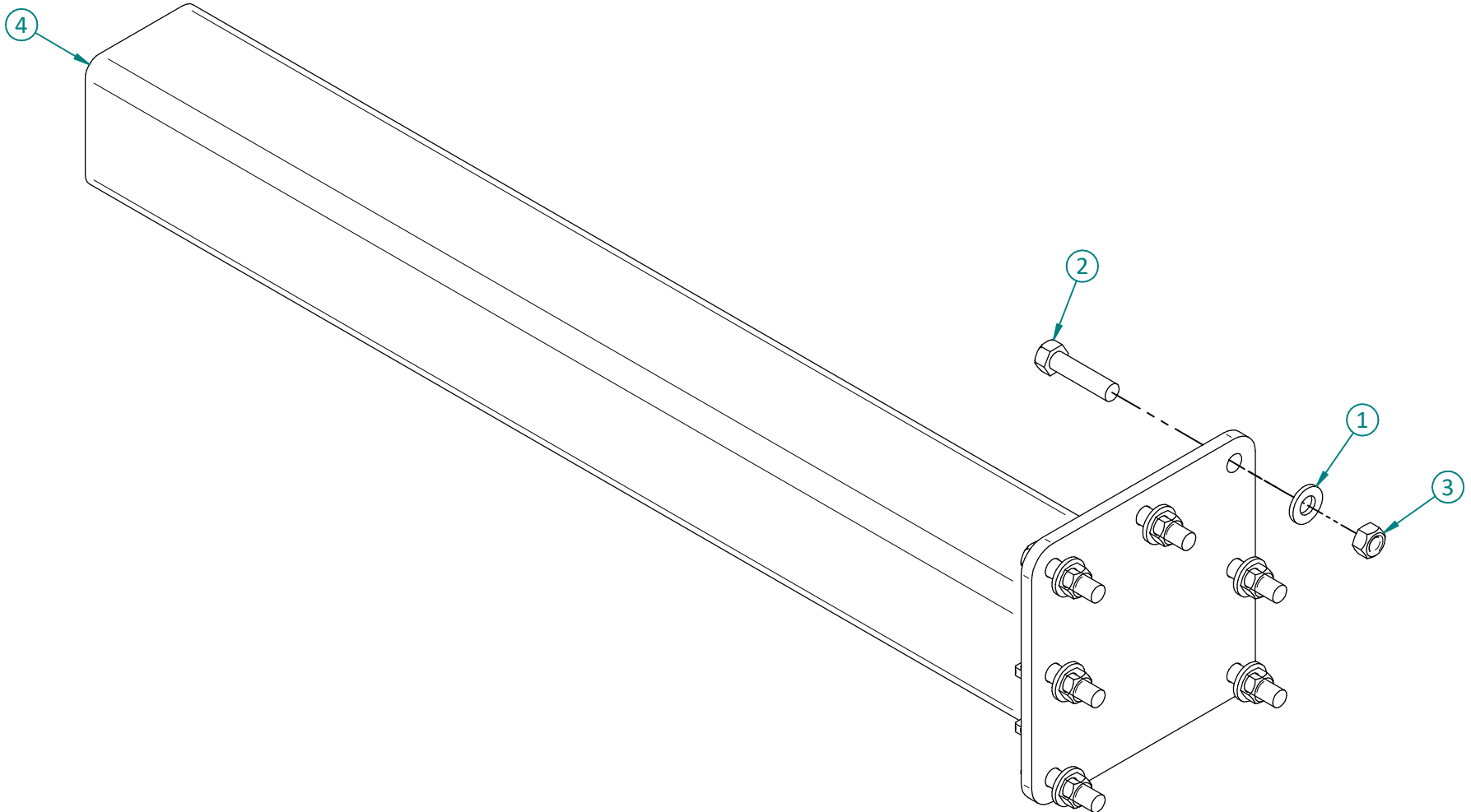
KIT400113



Item	Part NO.	Description	QTY
1	CMP400004	SS CLAMP 3" FLG	1
2	CMP400005	EPDM GASKET 3" FLG	1
3	CMP400232	PP ADAPTER 3" HB X 3" FQDC	1
4	CMP400273	PP ELBOW 45 DEG 3" FLG X 3" HB	1
5	CMP400324	#4 STRAIGHT LINK CHAIN	1
6	CMP400331	GEAR CLAMP HD 3.31"-4.00"	2
7	CMP400348	1/2" X 6" TURNBUCKLE	1
8	CMP400381	5/16 X 1" QUICK RELEASE PIN	1
9	CMP400483	PP PLUG 3" MQDC	1
10	CMP400710	SLEEVE BEARING, 1" X 1-1/8" X 1-1/4" LONG	1
11	FST100107	1/2" NUT	8
12	FST100150	3/8" FLAT WASHER	10
13	FST100151	1/2" FLAT WASHER HARDENED	8
14	FST100206	3/8" LOCKNUT	8
15	FST100235	1/2" X 1 1/4" CARRIAGE BOLT	8
16	FST100241	3/8" X 1 1/4" CAP SCREW	2
17	FST100245	1" LOCKNUT	1
18	FST100278	5/8" CRIMP NUT	4
19	FST100287	3/4" X 6" CAP SCREW	3
20	FST100349	5/8" HARDENED WASHER	4
21	FST100404	3/4" WASHER HARDENED	3
22	FST100405	3/4" CRIMP NUT	3
23	FST100422	5/8" X 4" X 4" U-BOLT	2
24	FST100482	1" X 7 1/2" BOLT	1
25	FST100826	3/8" X 3 1/2" X 4 3/4" U-BOLT	2
26	FST100838	3/8" X 4" X 6" U-BOLT	1
27	FST100923	1/2" ACORN NUT	8
28	HYDI00972	HOSE EPDM SUCTION 3" GREY	33 FT
29	PCT400526	BOOM LATCH PLATE	1
30	PCT400648	BOOM RAMP	1
31	SAF400038	DECAL BOOM LATCH	1
32	SAW400395	BUSHING TUBE	1
33	WLD400042	BOOM GUSSET ARM WELDT	1
34	WLD400060	BOOM LIFT WELDT	1
35	WLD400113	BOOM LATCH WELDT	1
36	WLD400178	BOOM HINGE WELDT	1
37	WLD400179	BOOM ATTACH WELDT	2
38	WLD400260	BOOM BASE WELDMENT	1
39	WLD400265	CENTER BOOM WELDMENT	1
40	WLD400266	END BOOM WELDMENT	1

2.4 / 4.4**STANDALONE BOOM KIT****KIT400023**

Item	Part NO.	Description	QTY
1	FSTI00151	1/2" FLAT WASHER HARDENED	7
2	FSTI00192	1/2" x 2" BOLT	7
3	FSTI00356	1/2" CRIMP NUT	7
4	WLD400083	STANDALONE BOOM WELDT	1

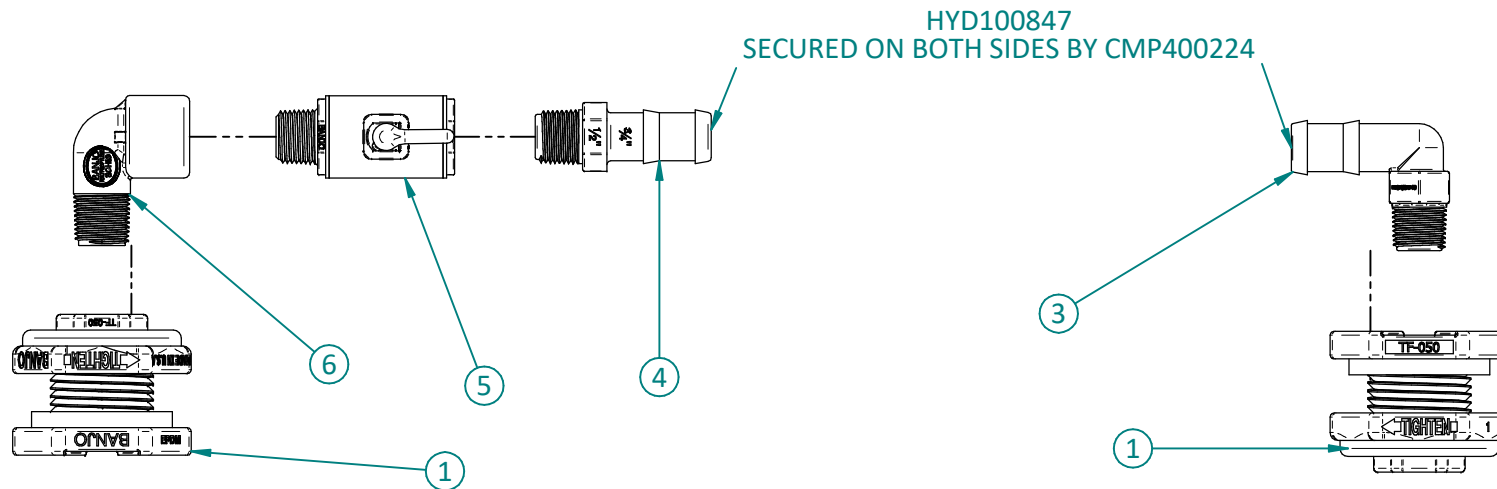


2.4 / 4.4

TANK SIGHT GLASS

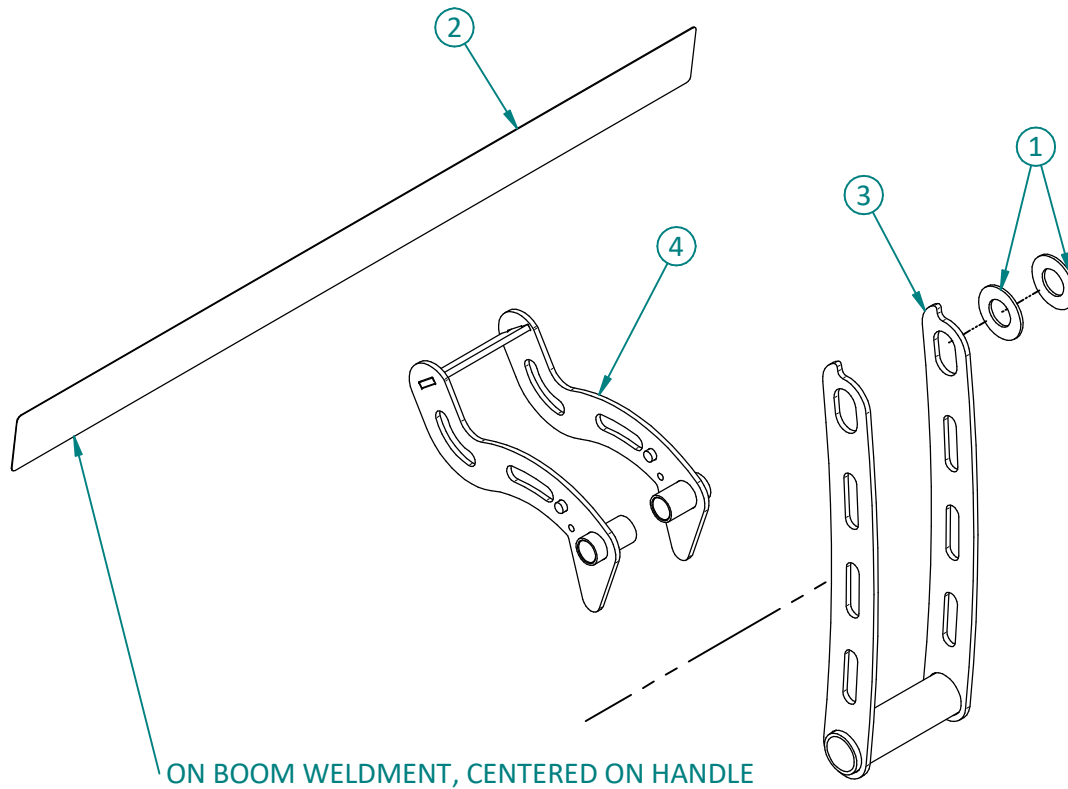
KIT400135

Item	Part NO.	Description	QTY
1	CMP400084	PP BULKHEAD 1/2" FNPT X 1/2" FNPT	2
2*	CMP400224	-12 GEAR CLAMP	2
3	CMP400321	PP ELBOW 90 DEG 1/2" MNPT X 3/4" HB	1
4	CMP400322	PP ADAPTER 1/2" MNPT X 3/4" HB	1
5	CMP400323	PP VALVE MICRO 1/2" MNPT X 1/2" FNPT	1
6	CMP400327	PP ELBOW 90 DEG 1/2" FNPT X 1/2" MNPT	1
7*	HYD100847	HOSE PVC 3/4" CLEAR	96 IN



2.4 / 4.4**AUX BOOM HANDLE****KIT400101**

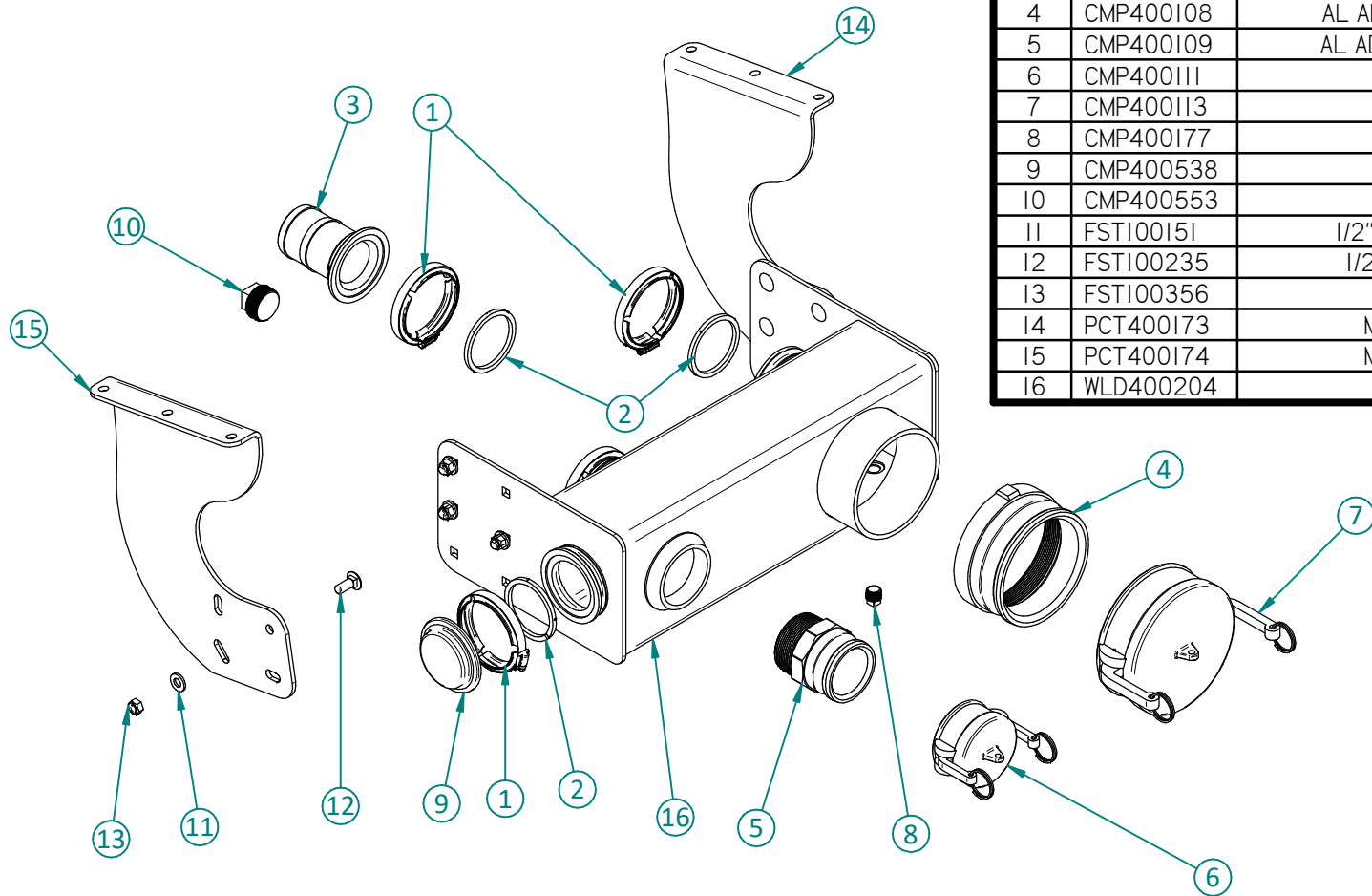
ITEM	PART NO.	DESCRIPTION	QTY
1	FST100726	1 1/4" HARDENED WASHER F436	2
2	SAF400069	DO NOT PUSH IN ZONE DECAL	1
3	WLD400215	BOOM LIFT WELDT	1
4	WLD400217	BOOM LIFT WELDT	1



2.4 / 4.4

TANK MANIFOLD KIT GEN 3

KIT400095



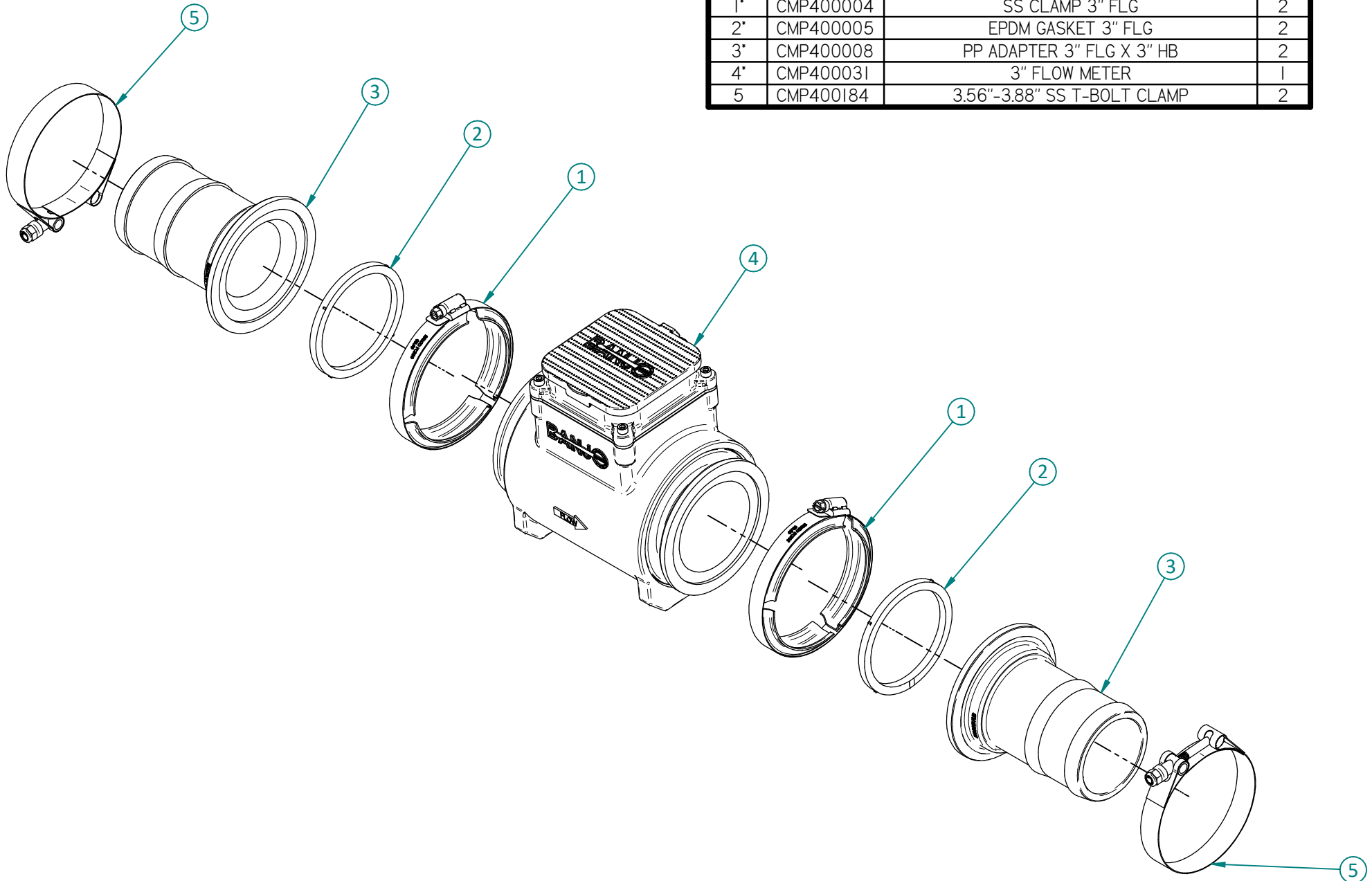
ITEM	PART NO.	DESCRIPTION	QTY
1	CMP400004	SS CLAMP 3" FLG	4
2	CMP400005	EPDM GASKET 3" FLG	4
3	CMP400008	PP ADAPTER 3" FLG X 3" HB	1
4	CMP400108	AL ADAPTER 6" FNPT X 6" MQDC	1
5	CMP400109	AL ADAPTER 3" MNPT X 3" MQDC	1
6	CMP400111	AL CAP 3" FQDC	1
7	CMP400113	AL CAP 6" FQDC	1
8	CMP400177	BI PLUG 1/2" MNPT	1
9	CMP400538	PP PLUG 3" FLG	1
10	CMP400553	BI PLUG I 1/2" MNPT	1
11	FST100151	1/2" FLAT WASHER HARDENED	8
12	FST100235	1/2" X 1 1/4" CARRIAGE BOLT	8
13	FST100356	1/2" CRIMP NUT	8
14	PCT400173	MANIFOLD HANGER BRKT	1
15	PCT400174	MANIFOLD HANGER BRKT	1
16	WLD400204	MANIFOLD WELDT	1

2.4 / 4.4

3" FLOW METER KIT

KIT400009

Item	Part NO.	Description	QTY
1*	CMP400004	SS CLAMP 3" FLG	2
2*	CMP400005	EPDM GASKET 3" FLG	2
3*	CMP400008	PP ADAPTER 3" FLG X 3" HB	2
4*	CMP400031	3" FLOW METER	1
5	CMP400184	3.56"-3.88" SS T-BOLT CLAMP	2

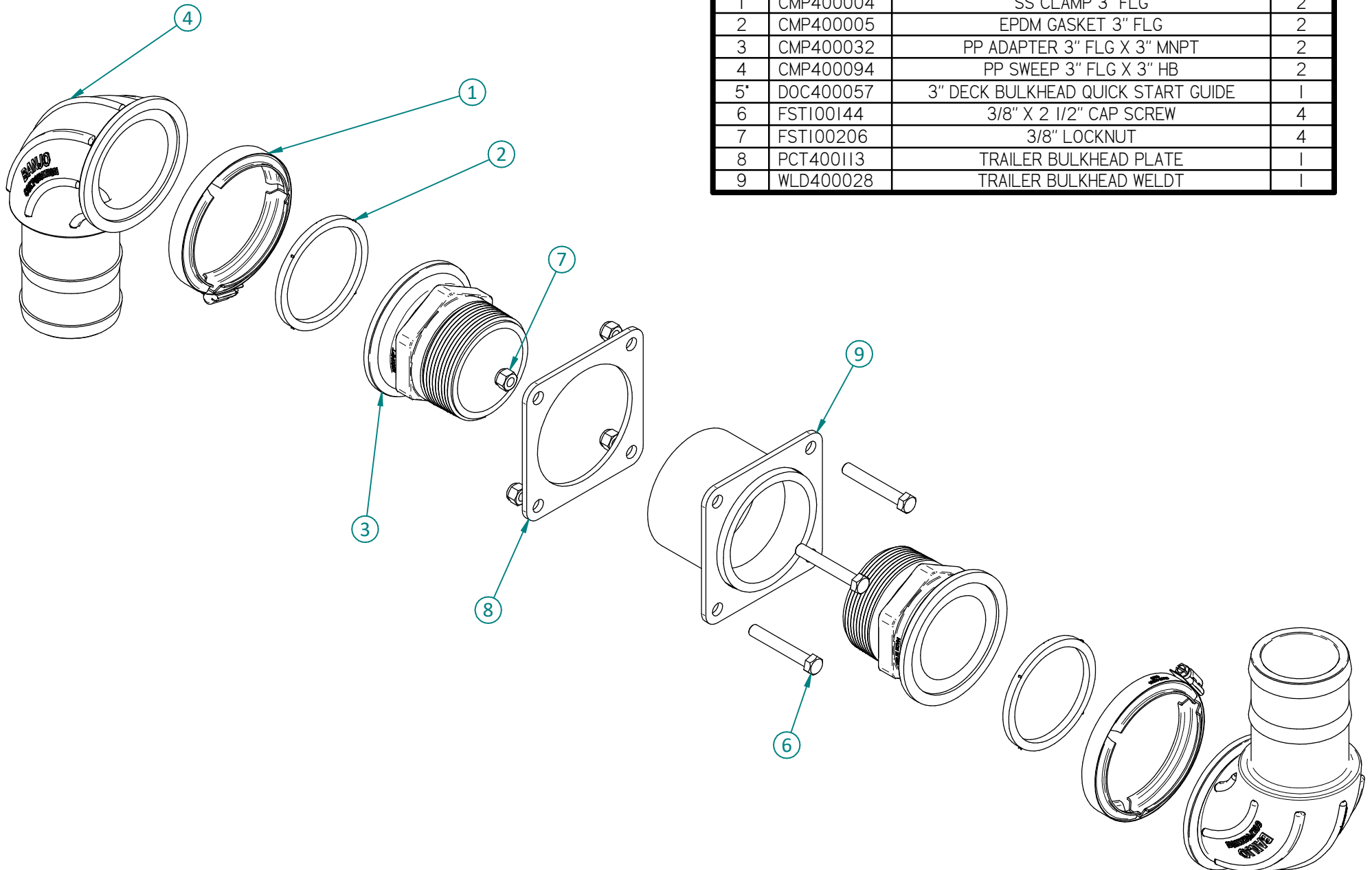


2.4 / 4.4

3" DECK BULKHEAD

KIT400005

ITEM	PART NO.	DESCRIPTION	QTY
1	CMP400004	SS CLAMP 3" FLG	2
2	CMP400005	EPDM GASKET 3" FLG	2
3	CMP400032	PP ADAPTER 3" FLG X 3" MNPT	2
4	CMP400094	PP SWEEP 3" FLG X 3" HB	2
5*	DOC400057	3" DECK BULKHEAD QUICK START GUIDE	1
6	FST100144	3/8" X 2 1/2" CAP SCREW	4
7	FST100206	3/8" LOCKNUT	4
8	PCT400113	TRAILER BULKHEAD PLATE	1
9	WLD400028	TRAILER BULKHEAD WELDT	1

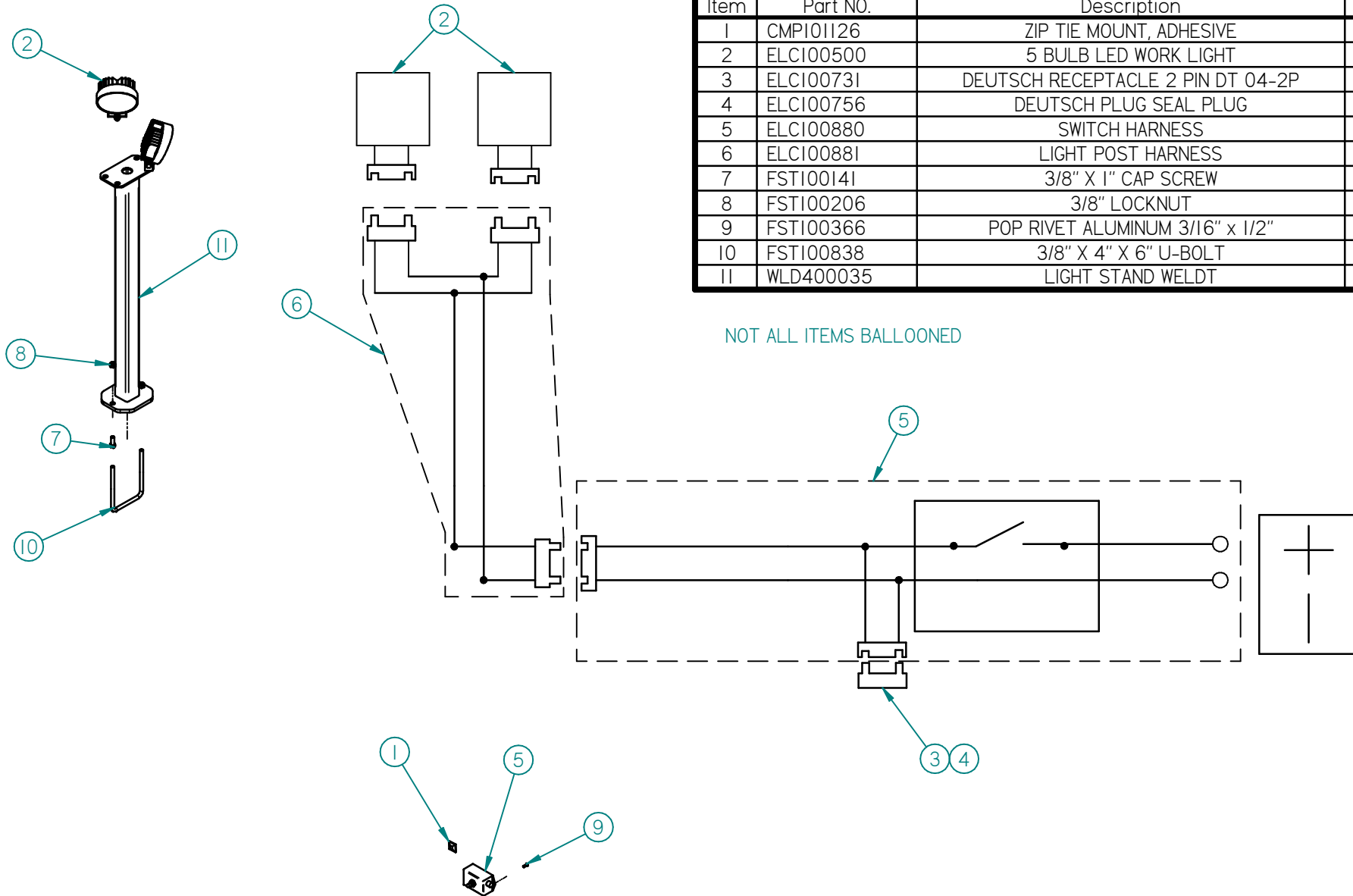


4.4

LIGHT ASSEMBLY

KIT400011

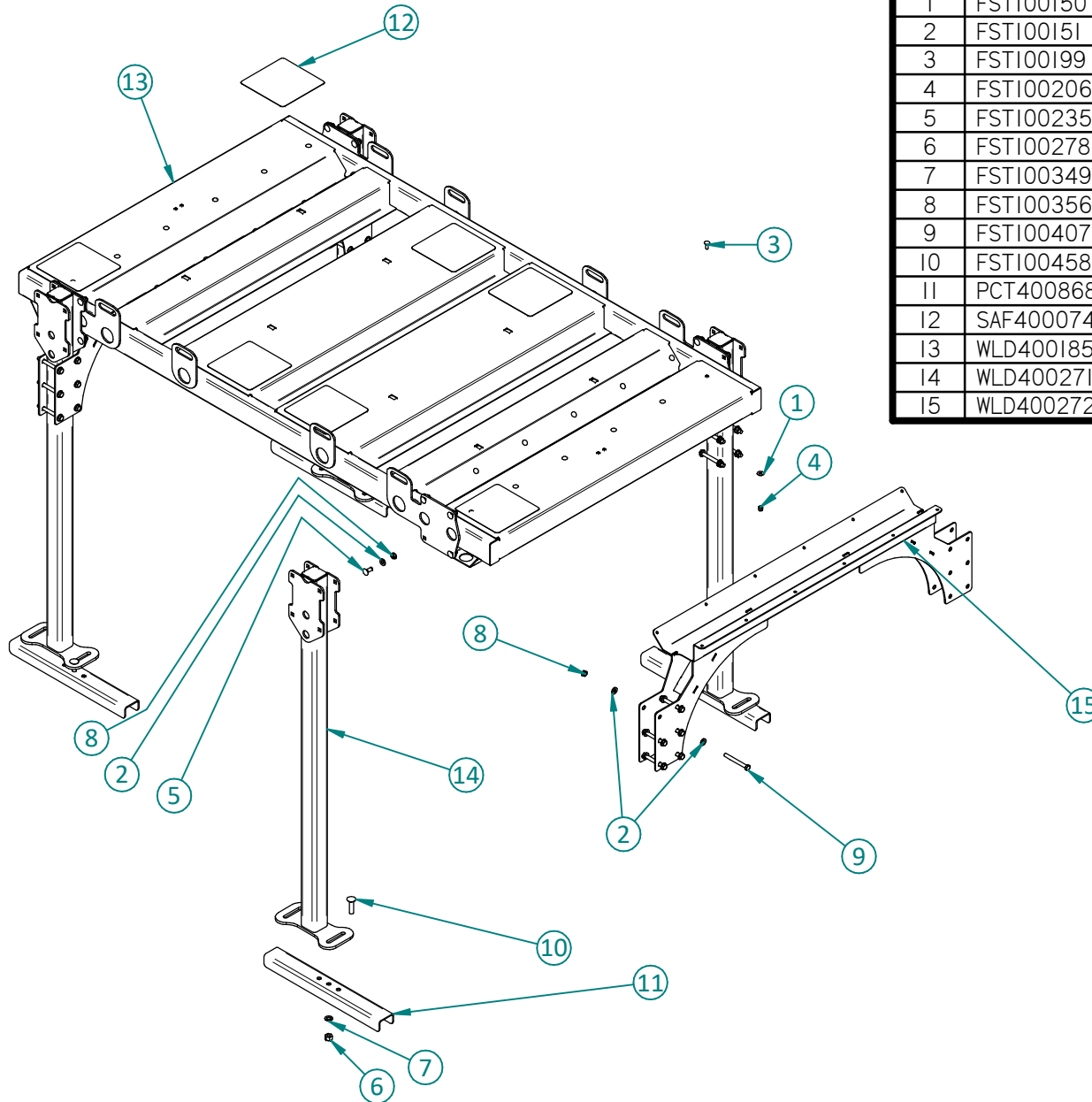
Item	Part NO.	Description	QTY
1	CMPI01126	ZIP TIE MOUNT, ADHESIVE	3
2	ELCI00500	5 BULB LED WORK LIGHT	2
3	ELCI00731	DEUTSCH RECEPTACLE 2 PIN DT 04-2P	1
4	ELCI00756	DEUTSCH PLUG SEAL PLUG	2
5	ELCI00880	SWITCH HARNESS	1
6	ELCI00881	LIGHT POST HARNESS	1
7	FSTI00141	3/8" X 1" CAP SCREW	2
8	FSTI00206	3/8" LOCKNUT	2
9	FSTI00366	POP RIVET ALUMINUM 3/16" x 1/2"	2
10	FSTI00838	3/8" X 4" X 6" U-BOLT	1
11	WLD400035	LIGHT STAND WELDT	1



4.4

FREE STANDING TOTE PLATFORM

KIT400114



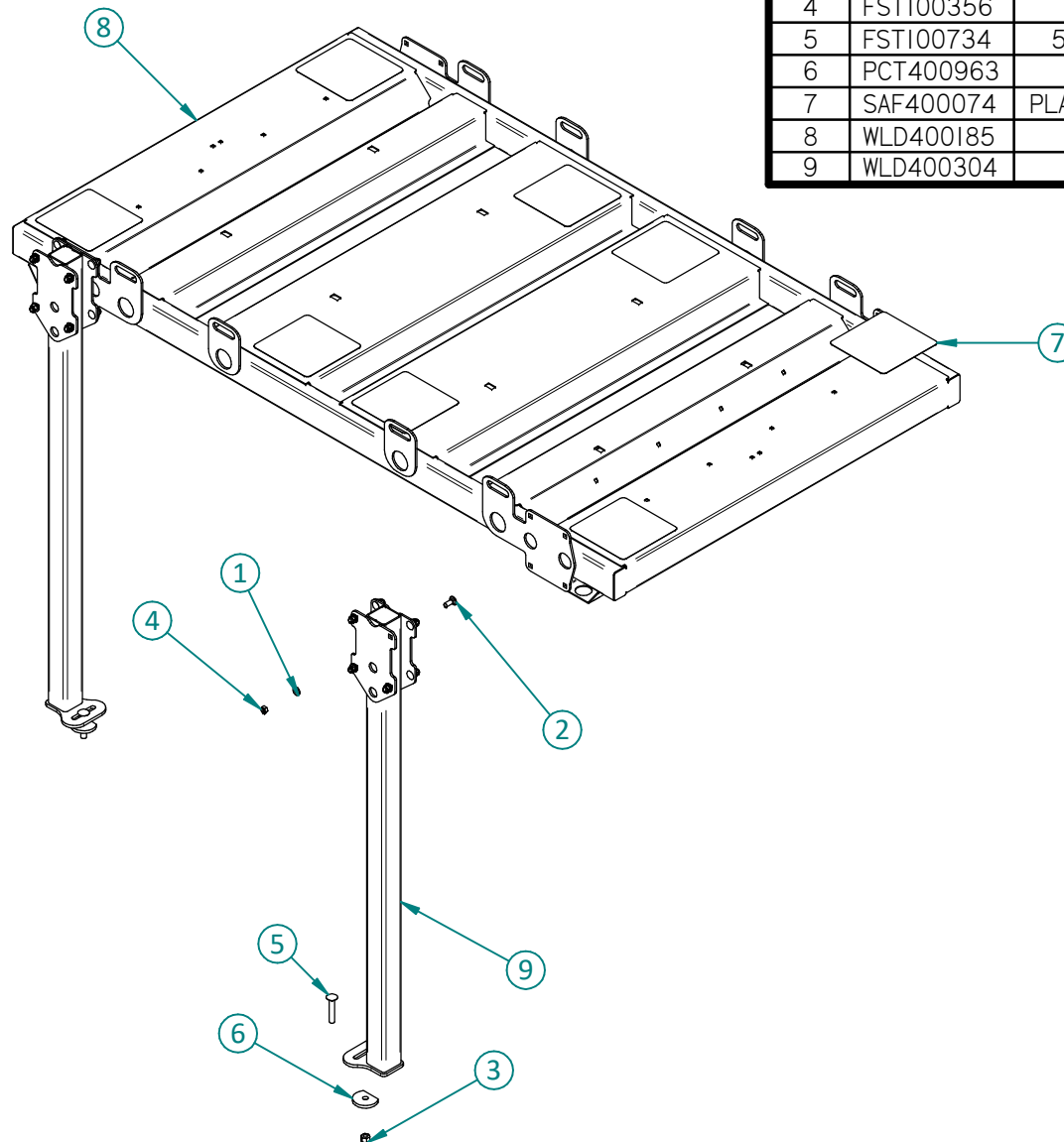
ITEM	PART NO.	DESCRIPTION	QTY
1	FST100150	3/8" FLAT WASHER	24
2	FST100151	1/2" FLAT WASHER HARDENED	64
3	FST100199	3/8" x 1" CARRIAGE BOLT	24
4	FST100206	3/8" LOCKNUT	24
5	FST100235	1/2" X 1 1/4" CARRIAGE BOLT	16
6	FST100278	5/8" CRIMP NUT	4
7	FST100349	5/8" HARDENED WASHER	4
8	FST100356	1/2" CRIMP NUT	40
9	FST100407	1/2" X 4 1/2" CAP SCREW	24
10	FST100458	5/8" X 2 1/2" CARRIAGE BOLT GR8	4
11	PCT400868	DECK SUPPORT BRKT	4
12	SAF400074	PLATFORM ANTI SLIP ROUND CORNER	8
13	WLD400185	PLATFORM WELDMNT	1
14	WLD400271	UPRIGHT STAND WELDT	4
15	WLD400272	PLATFORM GUSSET WLDT	2

4.4

TOTE PLATFORM GEN 2

KIT400078

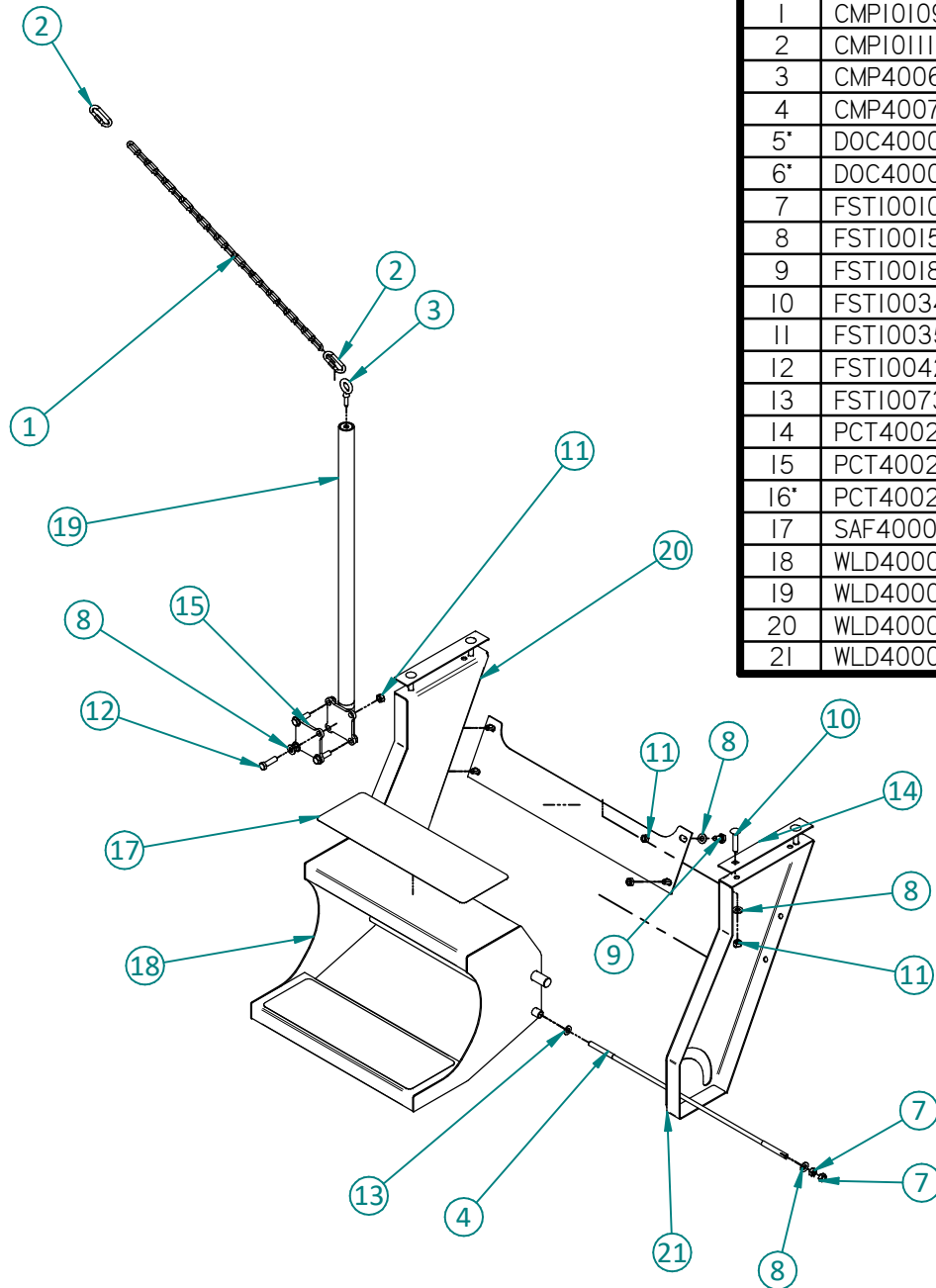
ITEM	PART NO.	DESCRIPTION	QTY
1	FST100151	1/2" FLAT WASHER HARDENED	16
2	FST100235	1/2" X 1 1/4" CARRIAGE BOLT	16
3	FST100278	5/8" CRIMP NUT	2
4	FST100356	1/2" CRIMP NUT	16
5	FST100734	5/8" X 3 1/2" CARRIAGE BOLT GR8	2
6	PCT400963	DECK SUPPORT WASHER	2
7	SAF400074	PLATFORM ANTI SLIP ROUND CORNER	8
8	WLD400185	PLATFORM WELDMENT	1
9	WLD400304	UPRIGHT STAND WELDT	2



2.4 / 4.4

TRAILER STEPS (41" DECK)

KIT400026

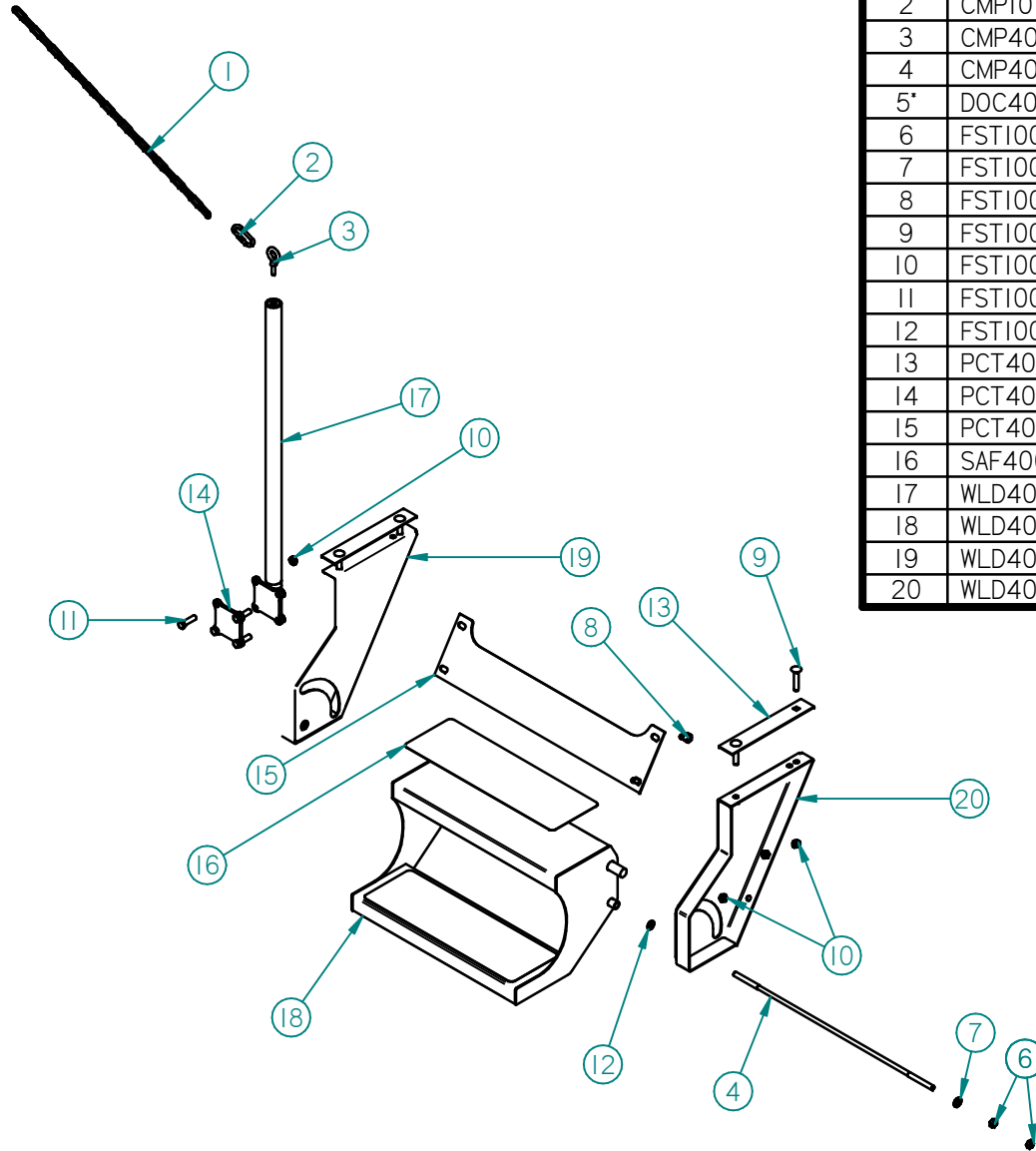


ITEM	PART NO.	DESCRIPTION	QTY
1	CMP101093	1/4" CHAIN	1
2	CMP101113	5/16" CHAIN CONNECTOR	2
3	CMP400687	3/8 X 1 1/4 MACHINED EYEBOLT PLATED	1
4	CMP400766	STEP ROD W/ THREADS	1
5*	DOC400000	DASH STEP DRILL TEMPLATE	1
6*	DOC400053	TRAILER STEPS (41" DECK) QUICK START GUIDE	1
7	FST100107	1/2" NUT	4
8	FST100151	1/2" FLAT WASHER HARDENED	14
9	FST100189	1/2" X 1" CAP SCREW	4
10	FST100346	1/2" X 2 1/2" CARRIAGE BOLT	4
11	FST100356	1/2" CRIMP NUT	12
12	FST100421	1/2" X 1 3/4" CAP SCREW	4
13	FST100732	1/2" NYLON FLAT WASHER	2
14	PCT400267	TOP PLATE	2
15	PCT400268	HANDLE PLATE	1
16*	PCT400271	BRACE	1
17	SAF400076	STEP ANTI SLIP ROUND CORNER	2
18	WLD400094	STEP WLDT	1
19	WLD400095	HANDLE WLDT	1
20	WLD400096	STEP HANGER LH	1
21	WLD400097	STEP HANGER RH	1

2.4 / 4.4

TRAILER STEPS (34" DECK)

KIT400055



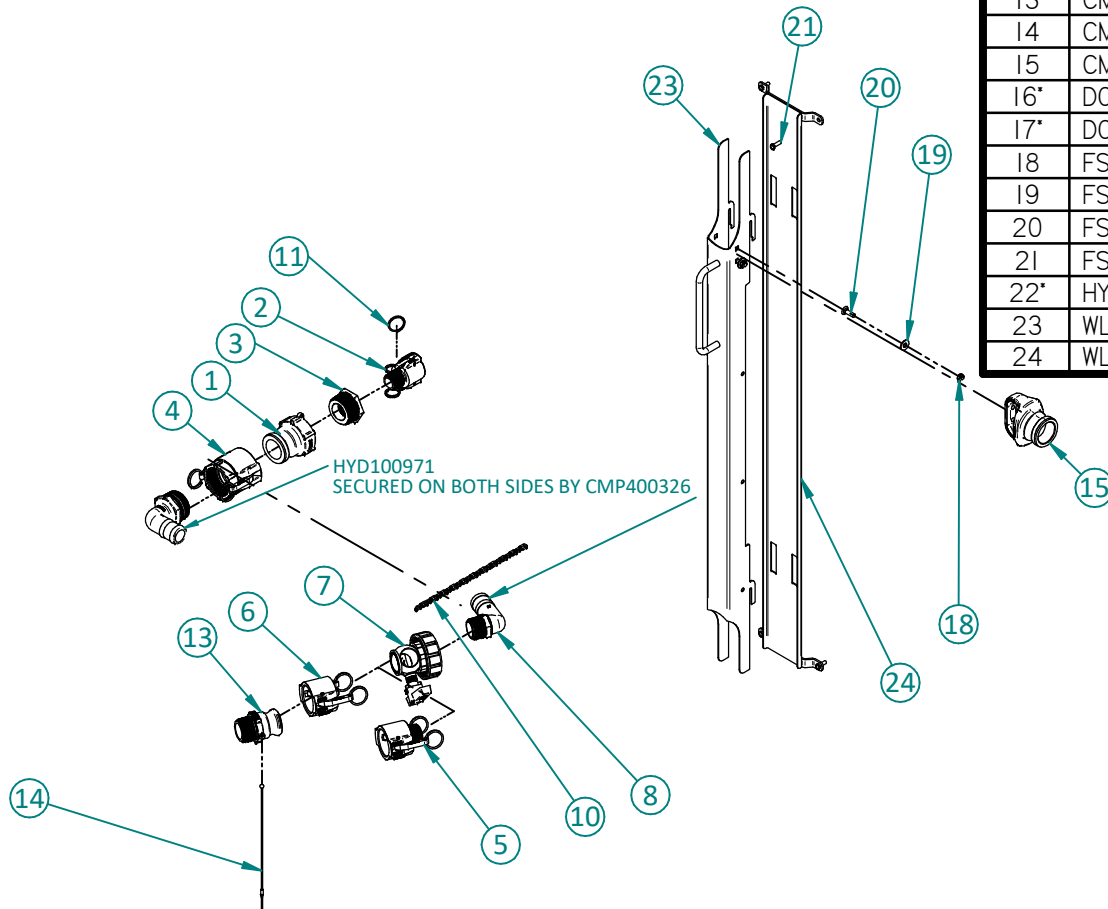
Item	Part NO.	Description	QTY
1	CMP101093	1/4" CHAIN	1
2	CMP101113	5/16" CHAIN CONNECTOR	2
3	CMP400687	3/8 X 1 1/4 MACHINED EYEBOLT PLATED	1
4	CMP400766	STEP ROD W/ THREADS	1
5*	DOC400054	TRAILER STEPS (34" DECK) QUICK START GUIDE	1
6	FST100107	1/2" NUT	4
7	FST100151	1/2" FLAT WASHER HARDENED	14
8	FST100189	1/2" X 1" CAP SCREW	4
9	FST100346	1/2" X 2 1/2" CARRIAGE BOLT	4
10	FST100356	1/2" CRIMP NUT	12
11	FST100421	1/2" X 1 3/4" CAP SCREW	4
12	FST100732	1/2" NYLON FLAT WASHER	2
13	PCT400267	TOP PLATE	2
14	PCT400268	HANDLE PLATE	1
15	PCT400271	BRACE	1
16	SAF400076	STEP ANTI SLIP ROUND CORNER	2
17	WLD400095	HANDLE WLDT	1
18	WLD400129	TRAILER STEP 13"(34" DECK)	1
19	WLD400130	STEP HANGER RH	1
20	WLD400131	STEP HANGER LH	1

2.4 / 4.4

5' CAGE TOTE TRANSFER HOSE

KIT400149

Item	Part NO.	Description	QTY
1	CMP400304	PP ADAPTER 2" FNPT X 2" MQDC	1
2	CMP400305	PP ADAPTER 1" MNPT X 1" FQDC	1
3	CMP400307	PP ADAPTER 2" MNPT X 1" FNPT	1
4	CMP400309	PP ADAPTER 2" FNPT X 2" FQDC	1
5	CMP400313	PP ADAPTER 1 1/4" MNPT X 1 1/2" FQDC	1
6	CMP400314	PP CAP 1 1/2" FQDC	1
7	CMP400315	PP VALVE BALL 1 1/4" FNPT X 1 1/4" FNPT	1
8	CMP400319	PP ELBOW 90 DEG 1 1/4" MNPT X 1 1/2" HB	1
9	CMP400320	PP ELBOW 90 DEG 2" MNPT X 1 1/2" HB	1
10	CMP400324	#4 STRAIGHT LINK CHAIN	1
11	CMP400325	1 1/4" SPLIT RING	1
12'	CMP400326	GEAR CLAMP 1-1/2	3
13	CMP400396	PP ADAPTER 1 1/2" MNPT X 1 1/2" MQDC	1
14	CMP400543	11" QDC LANYARD	1
15	CMP400709	PP PLUG 2" MQDC W/ HANDLE	1
16*	DOC400015	TOTE HOSE ASSEMBLY INSTRUCTIONS	1
17*	DOC400051	CAGE TOTE TRANSFER HOSE QUICK START MANUAL	1
18	FST100173	5/16" LOCK NUT	2
19	FST100174	5/16" FLAT WASHER	2
20	FST100344	5/16" x 1" CARRIAGE BOLT	2
21	FST100894	1/4" x 3/4" THREAD CUTTING SCREW	4
22'	HYD100971	HOSE EPDM SUCTION 1 1/2" GREY	288 IN
23	WLD400337	5' HOSE CONTAINMENT WLDT	1
24	WLD400338	5' CONTAINMENT BRKT MOUNT WLDT	1

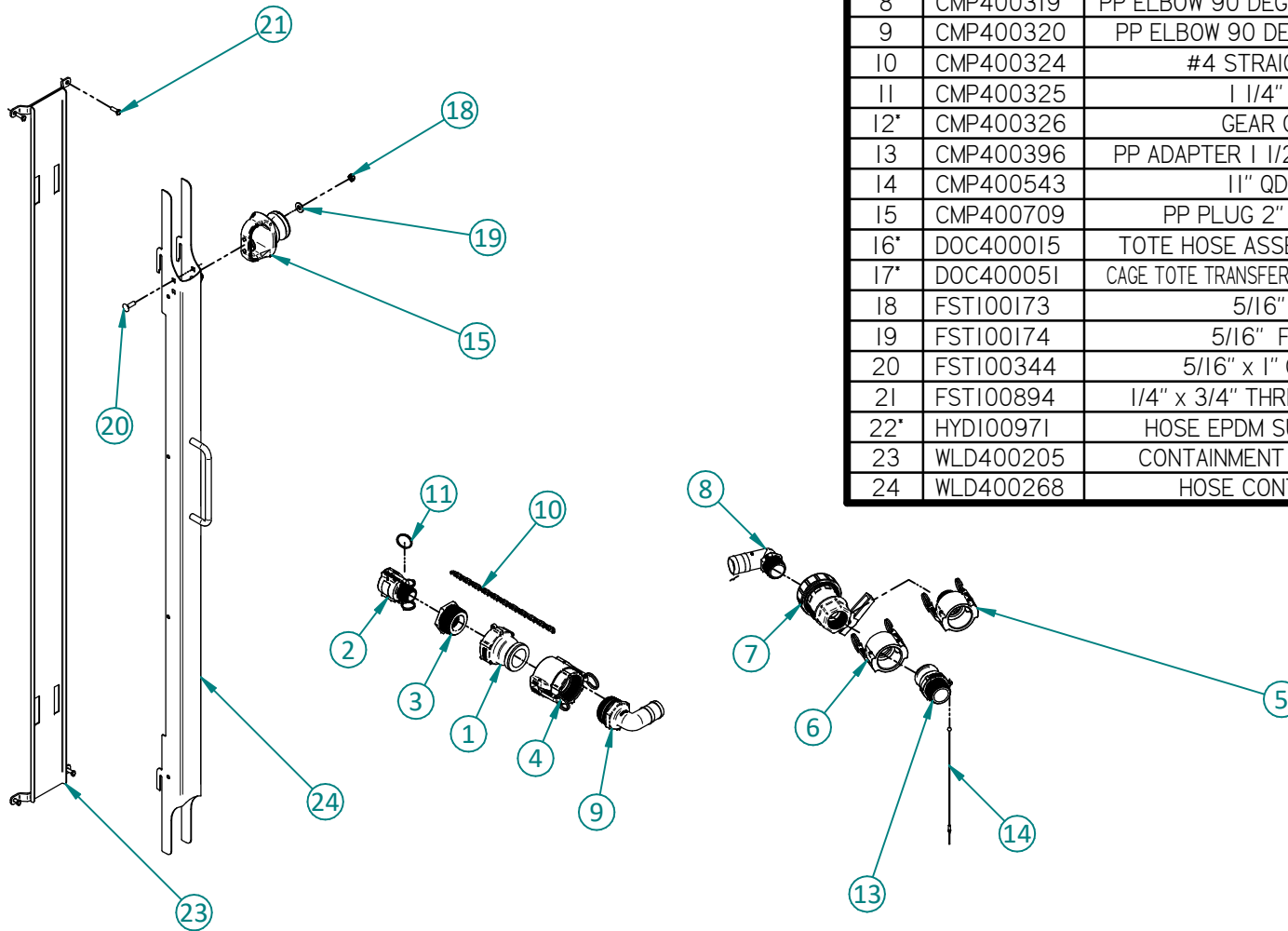


2.4 / 4.4

CAGE TOTE TRANSFER HOSE

KIT400097

ITEM	PART NO.	DESCRIPTION	QTY
1	CMP400304	PP ADAPTER 2" FNPT X 2" MQDC	1
2	CMP400305	PP ADAPTER 1" MNPT X 1" FQDC	1
3	CMP400307	PP ADAPTER 2" MNPT X 1" FNPT	1
4	CMP400309	PP ADAPTER 2" FNPT X 2" FQDC	1
5	CMP400313	PP ADAPTER 1 1/4" MNPT X 1 1/2" FQDC	1
6	CMP400314	PP CAP 1 1/2" FQDC	1
7	CMP400315	PP VALVE BALL 1 1/4" FNPT X 1 1/4" FNPT	1
8	CMP400319	PP ELBOW 90 DEG 1 1/4" MNPT X 1 1/2" HB	1
9	CMP400320	PP ELBOW 90 DEG 2" MNPT X 1 1/2" HB	1
10	CMP400324	#4 STRAIGHT LINK CHAIN	6 IN
11	CMP400325	1 1/4" SPLIT RING	1
12*	CMP400326	GEAR CLAMP 1-1/2	3
13	CMP400396	PP ADAPTER 1 1/2" MNPT X 1 1/2" MQDC	1
14	CMP400543	11" QDC LANYARD	1
15	CMP400709	PP PLUG 2" MQDC W/ HANDLE	1
16*	DOC400015	TOTE HOSE ASSEMBLY INSTRUCTIONS	1
17*	DOC400051	CAGE TOTE TRANSFER HOSE QUICK START MANUAL	1
18	FST100173	5/16" LOCK NUT	2
19	FST100174	5/16" FLAT WASHER	2
20	FST100344	5/16" x 1" CARRIAGE BOLT	2
21	FST100894	1/4" x 3/4" THREAD CUTTING SCREW	4
22*	HYD100971	HOSE EPDM SUCTION 1 1/2" GREY	288 IN
23	WLD400205	CONTAINMENT BRKT MOUNT WLDT	1
24	WLD400268	HOSE CONTAINMENT WLDT	1

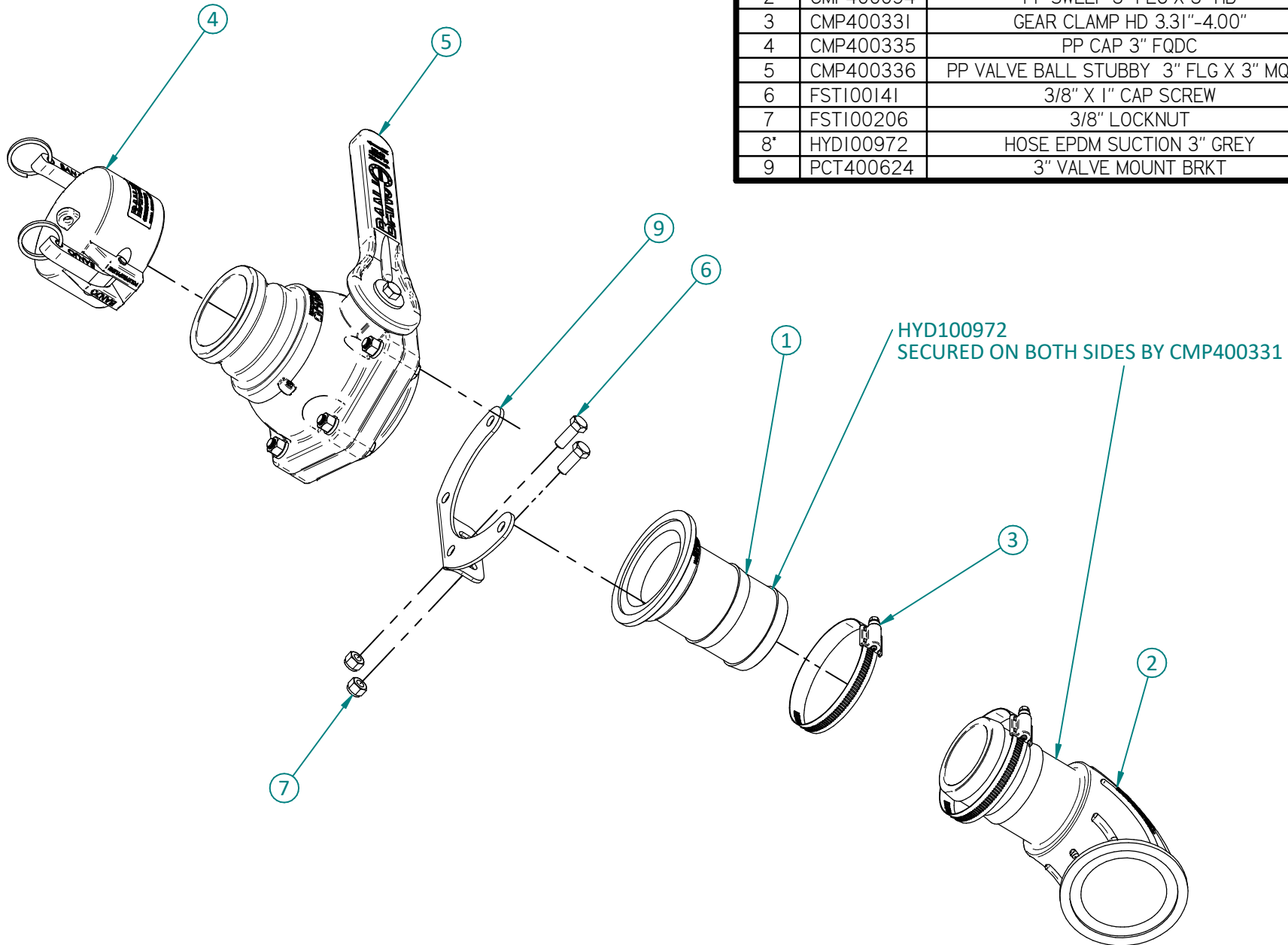


2.4 / 4.4

AUXILIARY REFILL KIT SIDE

KIT400096

Item	Part NO.	Description	QTY
1	CMP400008	PP ADAPTER 3" FLG X 3" HB	1
2	CMP400094	PP SWEEP 3" FLG X 3" HB	1
3	CMP400331	GEAR CLAMP HD 3.31"-4.00"	2
4	CMP400335	PP CAP 3" FQDC	1
5	CMP400336	PP VALVE BALL STUBBY 3" FLG X 3" MQDC	1
6	FST100141	3/8" X 1" CAP SCREW	2
7	FST100206	3/8" LOCKNUT	2
8	HYD100972	HOSE EPDM SUCTION 3" GREY	8 FT
9	PCT400624	3" VALVE MOUNT BRKT	1

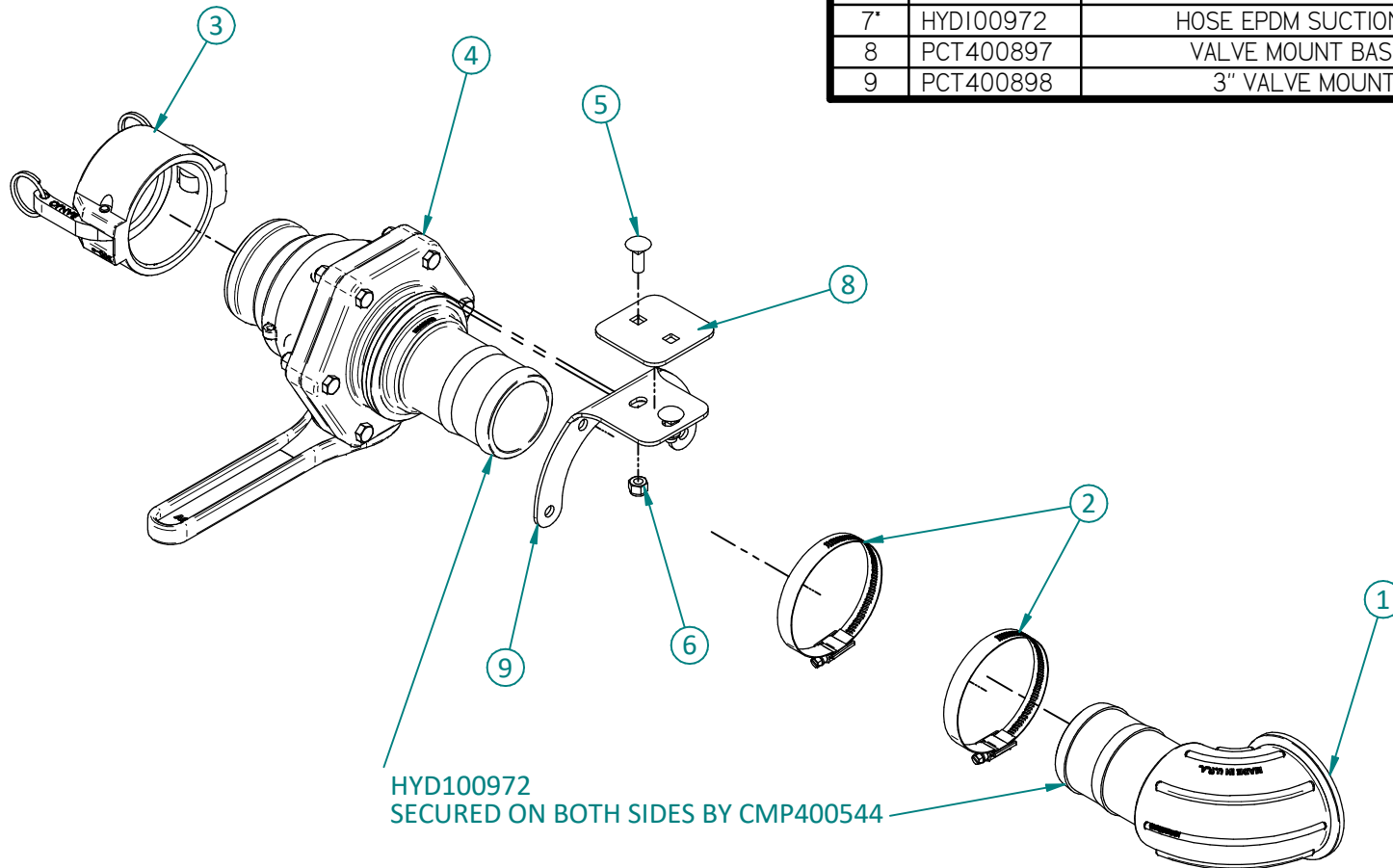


2.4 / 4.4

AUXILIARY REFILL KIT REAR

KIT400096/KIT400098

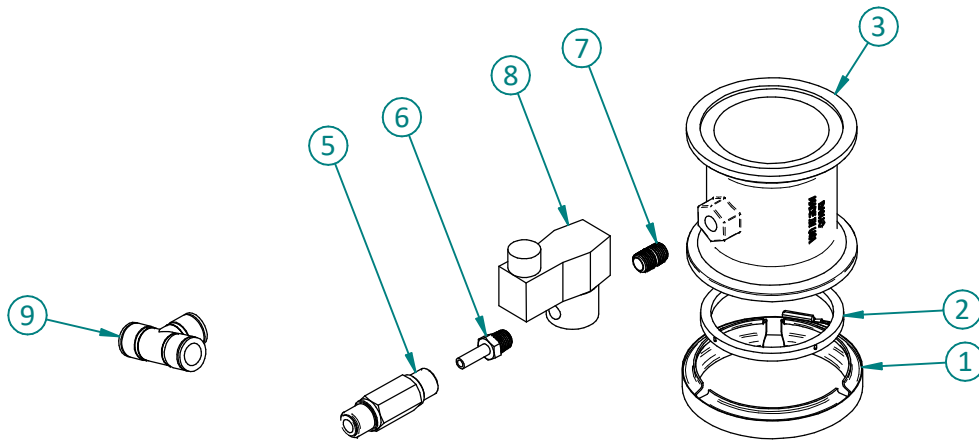
ITEM	PART NO.	DESCRIPTION	QTY
1	CMP400094	PP SWEEP 3" FLG X 3" HB	1
2*	CMP400331	GEAR CLAMP HD 3.31"-4.00"	2
3	CMP400335	PP CAP 3" FQDC	1
4	CMP400544	PP VALVE BALL STUBBY 3" HB X 3" MQDC	1
5	FST100199	3/8" x 1" CARRIAGE BOLT	2
6	FST100206	3/8" LOCKNUT	2
7*	HYD100972	HOSE EPDM SUCTION 3" GREY	1
8	PCT400897	VALVE MOUNT BASE PLATE	1
9	PCT400898	3" VALVE MOUNT BRKT	1



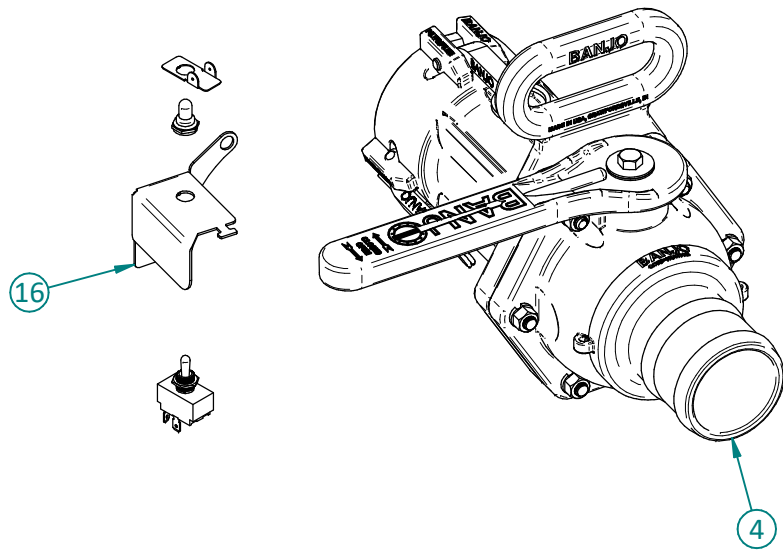
2.4 / 4.4

BOOM BLOWOUT KIT

KIT400094



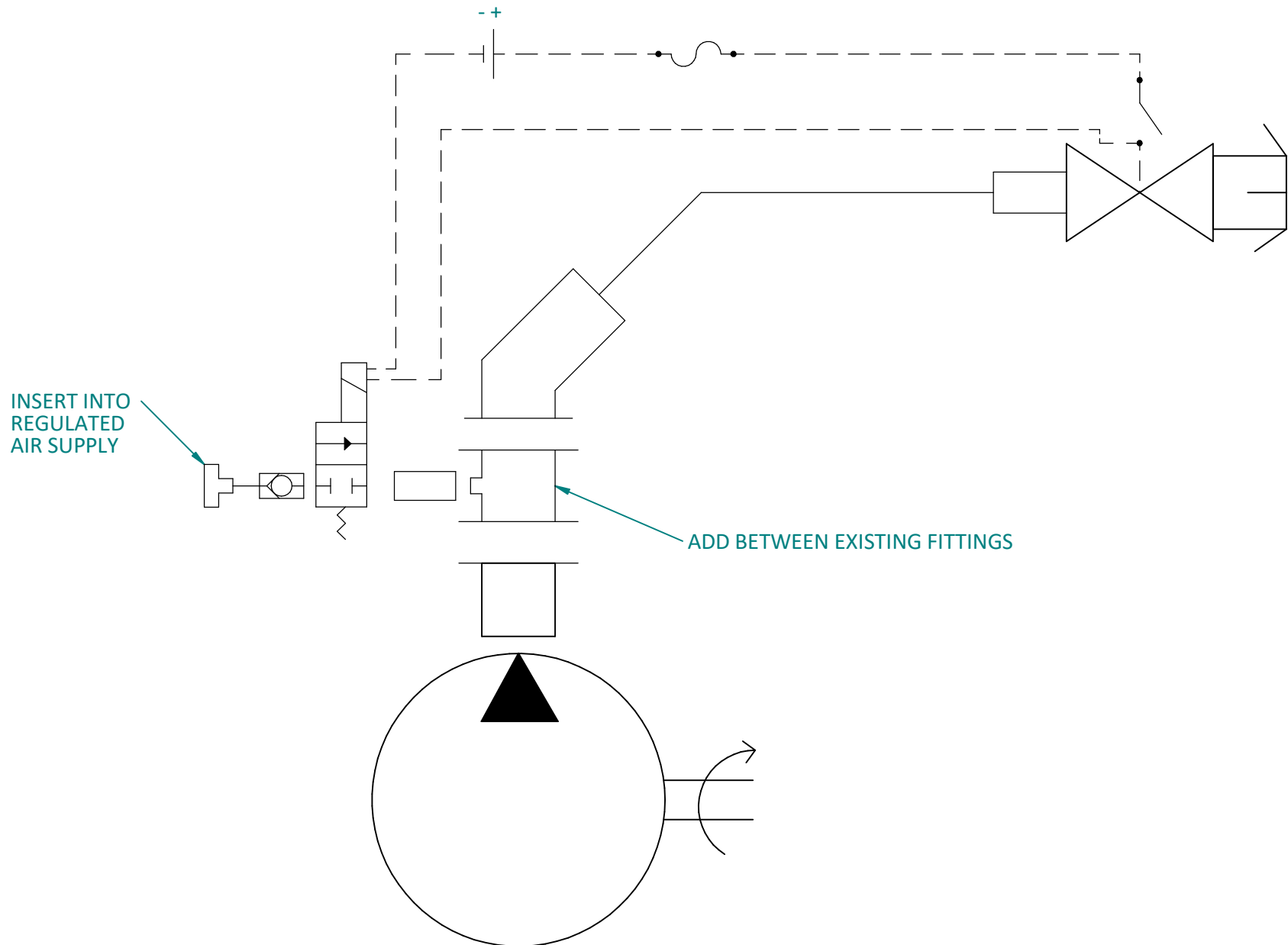
Item	Part NO.	Description	QTY
1	CMP400004	SS CLAMP 3" FLG	1
2	CMP400005	EPDM GASKET 3" FLG	1
3	CMP400093	PP ADAPTER 3" FLG X 3" FLG	1
4	CMP400481	BLOWOUT VALVE	1
5	CMP400557	PL VALVE CHECK 3/8" FPTC X 3/8" FPTC	1
6	CMP400558	PL ADAPTER 1/4" MNPT X 3/8" MPTC	1
7	CMP400559	SS ADAPTER 1/4" MNPT X 1/4" MNPT	1
8	CMP400561	1/4 SS SOLENOID VALVE N/C 12VDC	1
9	CMP400562	PL TEE 1/2" FPTC X 3/8" FPTC	1
10*	CMP400664	HOSE SLEEVE 4.40" ID	240 IN
11*	DOC400062	BOOM BLOWOUT KIT QUICK START GUIDE	1
12*	ELC100885	BOOM BLOWOUT HARNESS	1
13*	FST100210	CABLE TIE 7" 50LB BLACK	3
14*	FST100214	CABLE TIE 14" 120LB BLACK	8
15*	HYD100982	3/8 AIR BRAKE HOSE	48 IN
16	PCT400619	SWITCH MOUNT BRKT	1



2.4 / 4.4

BOOM BLOWOUT KIT

KIT400094



INSERT INTO
REGULATED
AIR SUPPLY

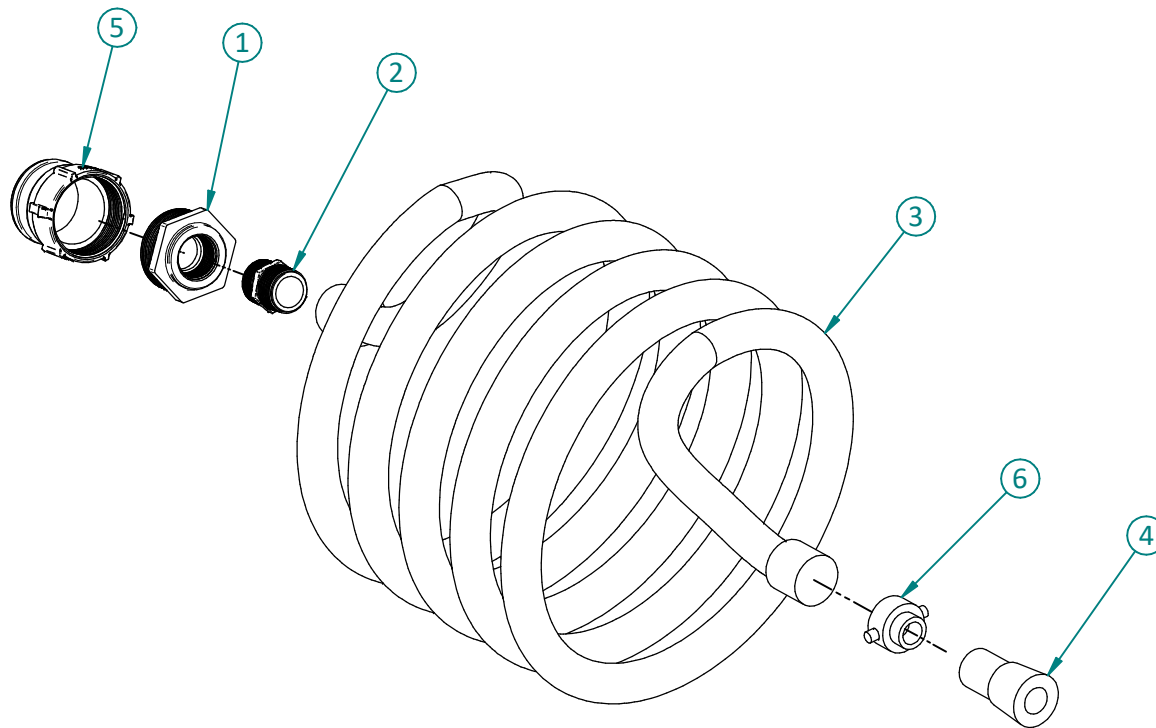
ADD BETWEEN EXISTING FITTINGS

2.4 / 4.4

FIRE NOZZLE KIT

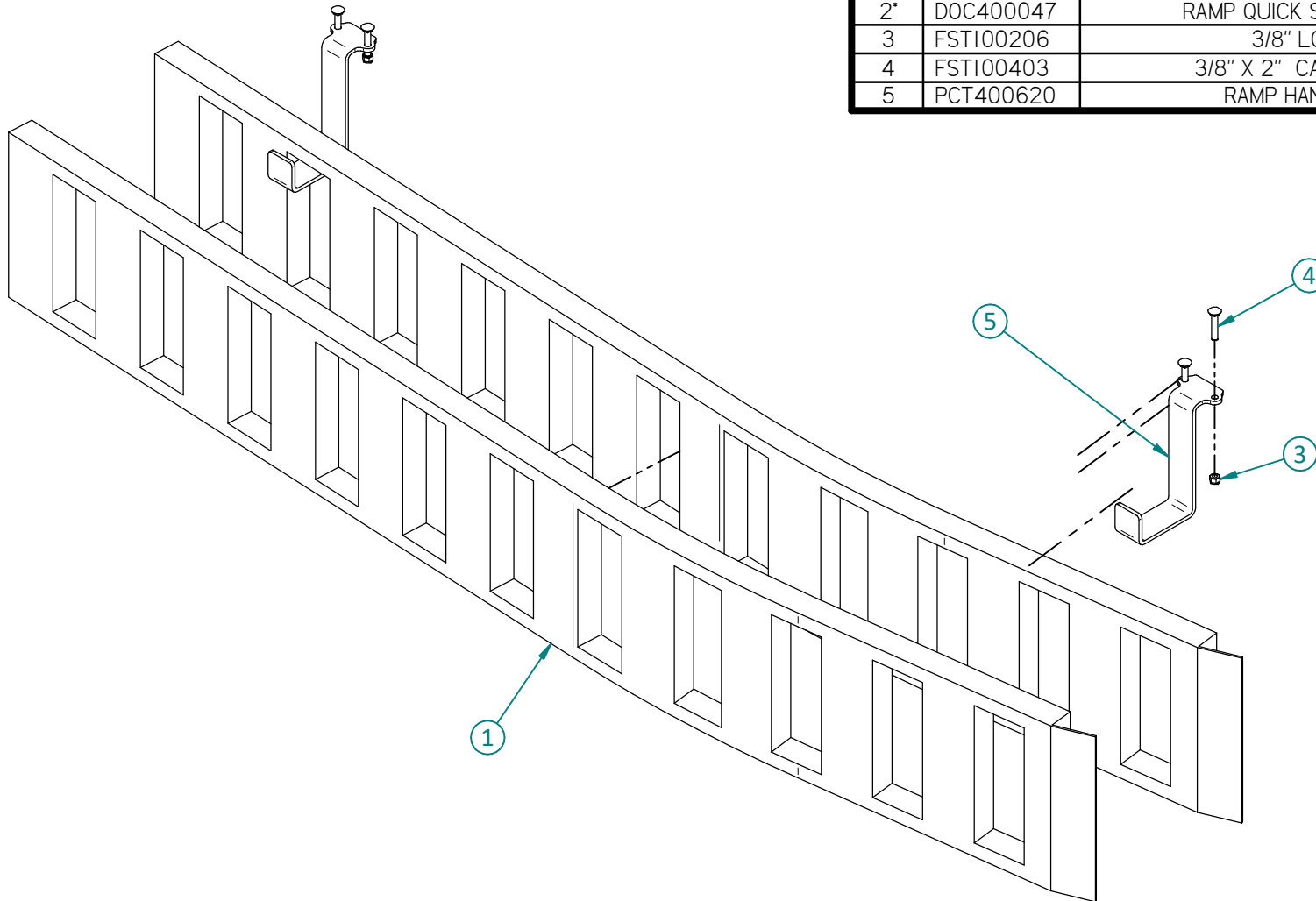
KIT400093

ITEM	PART NO.	DESCRIPTION	QTY
1	CMP400242	PP ADAPTER 3" MNPT X 1 1/2" FNPT	1
2	CMP400491	PP ADAPTER 1 1/2" MNPT X 1 1/2" MNPT	1
3	CMP400531	1 1/2" FIRE HOSE ASSY 75' W/ NPSH THREADS	1
4	CMP400533	1 1/2" FIRE HOSE NOZZLE	1
5	CMP400534	AL ADAPTER 3" FNPT X 3" MQDC	1
6	CMP400563	NPSH NOZZLE ADAPTER	1



2.4 / 4.4**RAMP KIT****KIT400089**

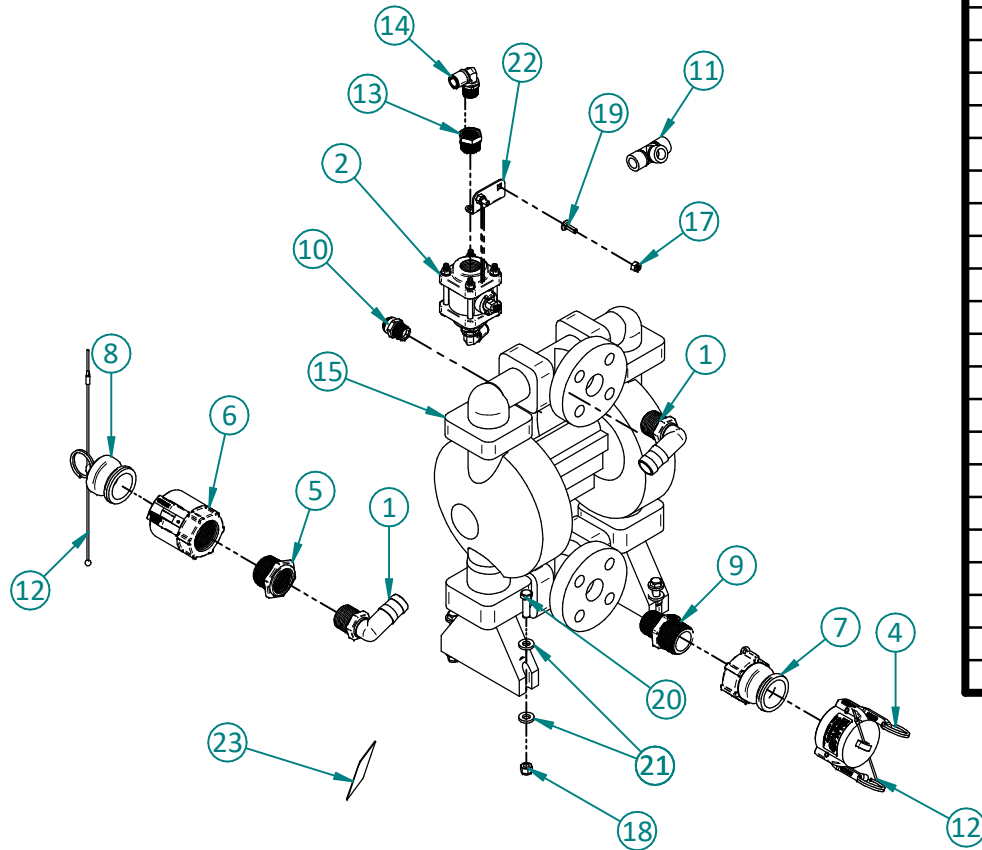
ITEM	PART NO.	DESCRIPTION	QTY
1	CMP400519	90 X 12 IN RAMP SET	2
2*	DOC400047	RAMP QUICK START MANUAL	1
3	FST100206	3/8" LOCKNUT	4
4	FST100403	3/8" X 2" CARRIAGE BOLT	4
5	PCT400620	RAMP HANGER BRKT	2



2.4 / 4.4

AIR DIAPHRAGM PUMP KIT 1"

KIT400033

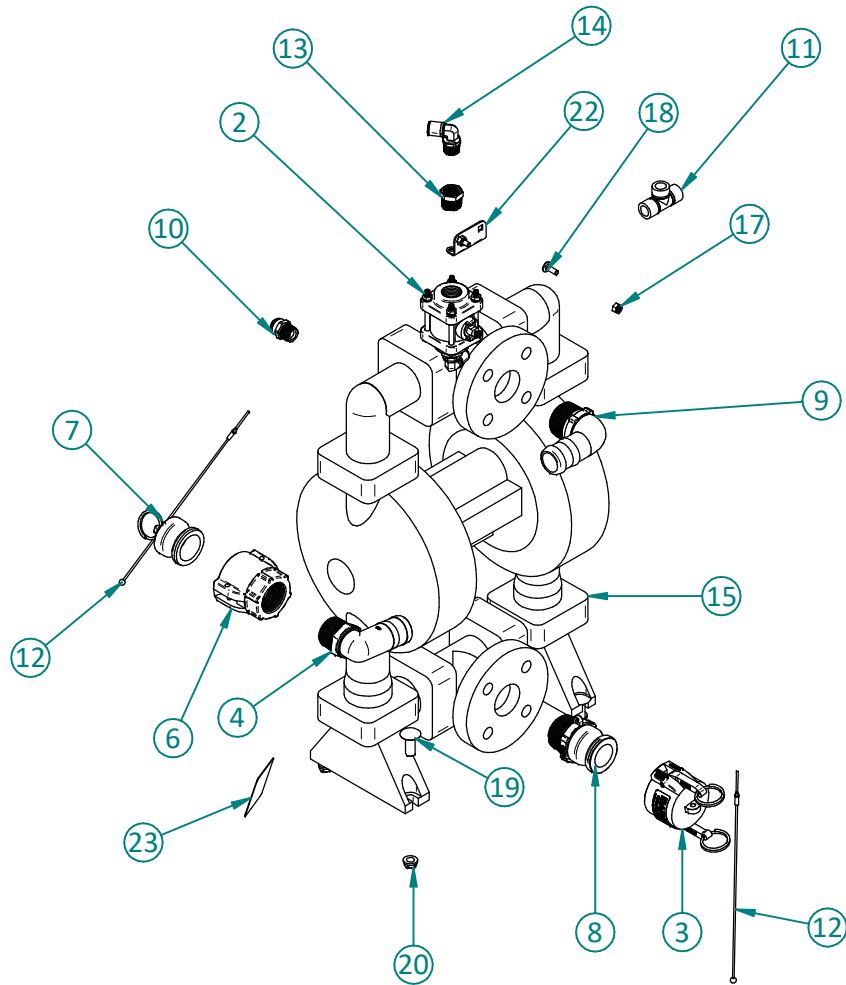


ITEM	PART NO.	DESCRIPTION	QTY
1	CMP400037	PP ELBOW 90 DEG 1" MNPT X 1" HB	2
2	CMP400138	PP VALVE BALL 3/4" FNPT X 3/4" FNPT	1
3*	CMP400225	-16 GEAR CLAMP	2
4	CMP400314	PP CAP 1 1/2" FQDC	1
5	CMP400332	PP ADAPTER 1 1/4" MNPT X 1" FNPT	1
6	CMP400334	PP ADAPTER 1 1/4" FNPT X 1 1/2" FQDC	1
7	CMP400349	PP ADAPTER 1 1/4" FNPT X 1 1/2" MQDC	1
8	CMP400350	PP PLUG 1 1/2" MQDC	1
9	CMP400501	PP ADAPTER 1" MNPT X 1 1/4" MNPT	1
10	CMP400512	PL ADAPTER 1/2" MNPT X 1/2" FPTC	1
11	CMP400513	PL TEE 1/2" FPTC X 1/2" FPTC	1
12	CMP400543	11" QDC LANYARD	2
13	CMP400574	BR ADAPTER 3/4" MNPT X 1/2" FNPT	2
14	CMP400646	BR ADAPTER 90 DEG 1/2" MNPT X 1/2" FPTC	2
15	CMP400704	1" AIR DIAPHRAGM PUMP RD-P-25PPTT	1
16*	DOC400070	AIR DIAPHRAGM PUMP KIT 1" QUICK START GUIDE	1
17	FST100135	1/4" LOCK NUT	2
18	FST100206	3/8" LOCKNUT	4
19	FST100233	1/4" X 3/4" CARRIAGE BOLT	2
20	FST100241	3/8" X 1 1/4" CAP SCREW	4
21	FST100930	3/8" HARDENED WASHER	8
22	PCT400034	VALVE MOUNT BRKT	1
23	SAF400057	CHEM PUMP DECAL	1

2.4 / 4.4

AIR DIAPHRAGM PUMP KIT 1 1/2"

KIT400086

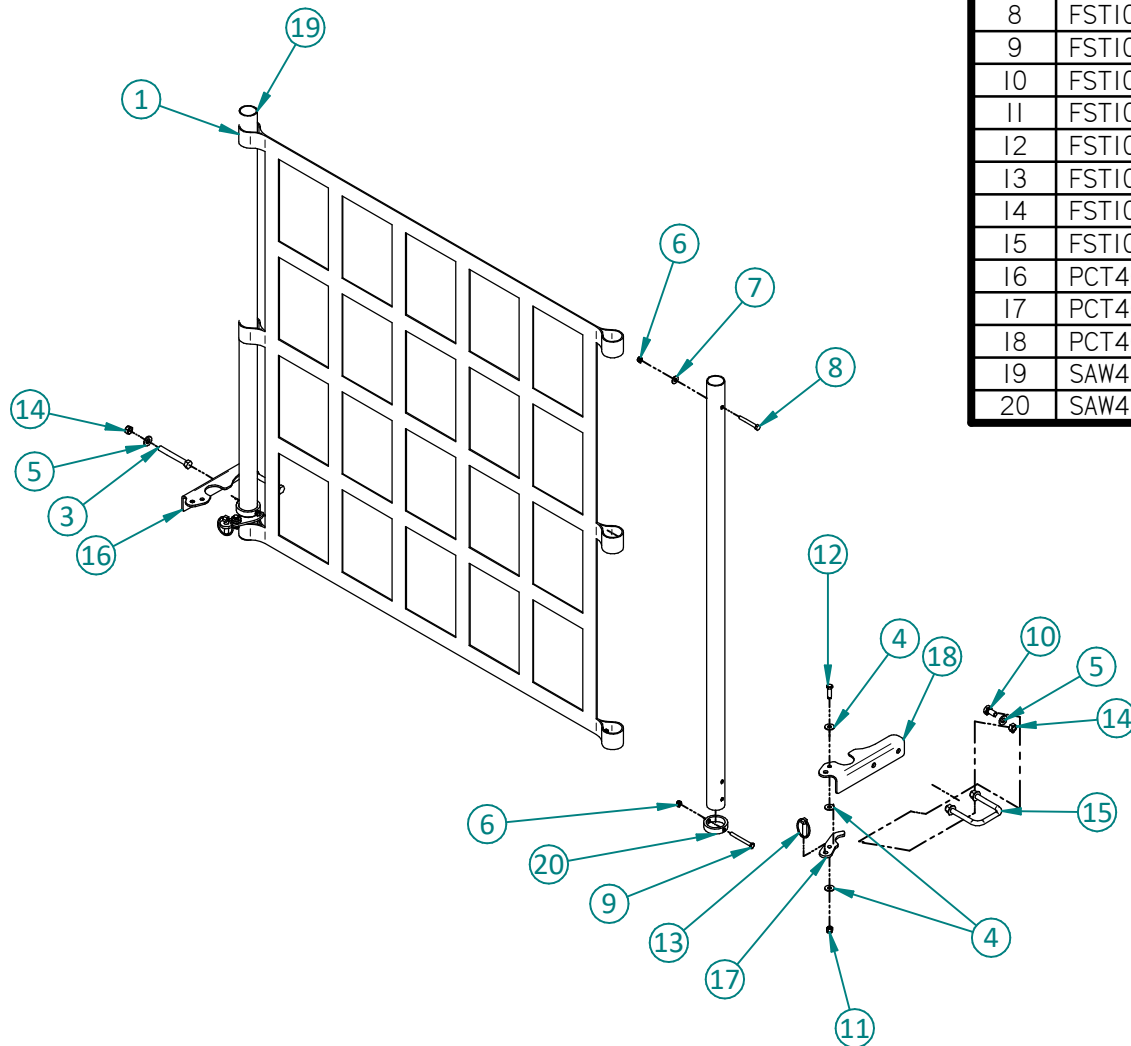


ITEM	PART NO.	DESCRIPTION	QTY
1*	CMP400105	1 1/2" INDUSTRIAL WATER HOSE	66 IN
2	CMP400138	PP VALVE BALL 3/4" FNPT X 3/4" FNPT	1
3	CMP400314	PP CAP 1 1/2" FQDC	1
4	CMP400319	PP ELBOW 90 DEG 1 1/4" MNPT X 1 1/2" HB	1
5*	CMP400326	GEAR CLAMP 1-1/2	2
6	CMP400334	PP ADAPTER 1 1/4" FNPT X 1 1/2" FQDC	1
7	CMP400350	PP PLUG 1 1/2" MQDC	1
8	CMP400396	PP ADAPTER 1 1/2" MNPT X 1 1/2" MQDC	1
9	CMP400474	PP ELBOW 90 DEG 1 1/2" MNPT X 1 1/2" HB	1
10	CMP400512	PL ADAPTER 1/2" MNPT X 1/2" FPTC	1
11	CMP400513	PL TEE 1/2" FPTC X 1/2" FPTC	1
12	CMP400543	11" QDC LANYARD	2
13	CMP400574	BR ADAPTER 3/4" MNPT X 1/2" FNPT	2
14	CMP400646	BR ADAPTER 90 DEG 1/2" MNPT X 1/2" FPTC	2
15	CMP400686	1 1/2" AIR DIAPHRAGM PUMP RD-P-40PPTT	1
16*	DOC400071	AIR DIAPHRAGM PUMP KIT 1 1/2" QUICK START GUIDE	1
17	FST100135	1/4" LOCK NUT	2
18	FST100233	1/4" X 3/4" CARRIAGE BOLT	2
19	FST100235	1/2" X 1 1/4" CARRIAGE BOLT	4
20	FST100936	1/2" SERRATED FLANGE NUT	4
21*	HYDI00978	1/2 AIR BRAKE HOSE	72 IN
22	PCT400034	VALVE MOUNT BRKT	1
23	SAF400057	CHEM PUMP DECAL	1

2.4 /4.4

PLATFORM CARGO NET KIT

KIT400083



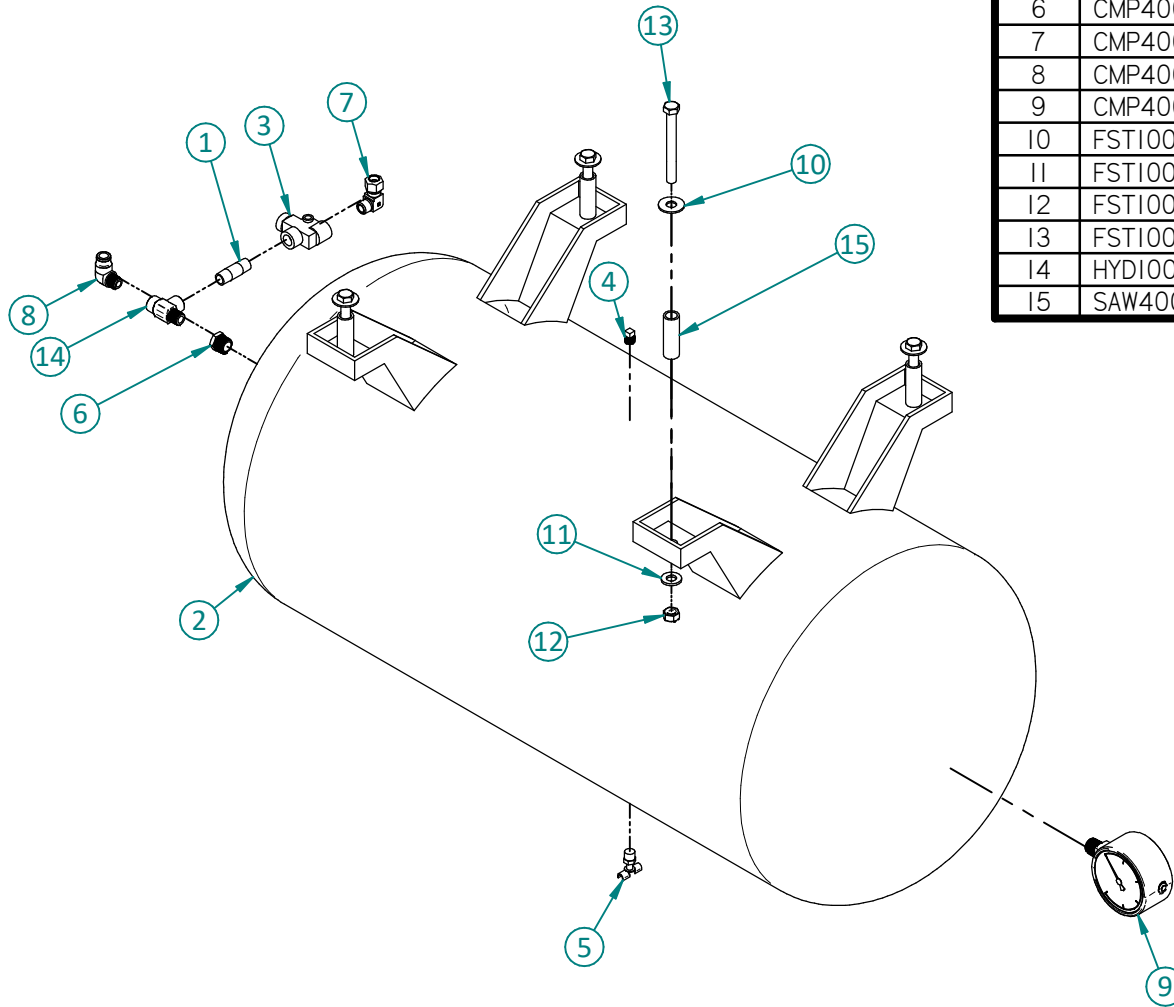
Item	Part NO.	Description	QTY
1	CMP400484	CARGO NET	2
2'	DOC400059	PLATFORM CARGO NET KIT QUICK START GUIDE	1
3	FST100103	1/2" X 4" CAP SCREW	4
4	FST100150	3/8" FLAT WASHER	12
5	FST100151	1/2" FLAT WASHER HARDENED	16
6	FST100173	5/16" LOCK NUT	12
7	FST100174	5/16" FLAT WASHER	8
8	FST100179	5/16" X 2 1/2" CAP SCREW	8
9	FST100180	5/16" X 3" CAP SCREW	4
10	FST100189	1/2" X 1" CAP SCREW	4
11	FST100206	3/8" LOCKNUT	4
12	FST100241	3/8" X 1 1/4" CAP SCREW	4
13	FST100264	7/16" LYNCH PIN	4
14	FST100356	1/2" CRIMP NUT	8
15	FST100832	1/2" X 3" X 3" U-BOLT	2
16	PCT400651	BOTTOM CONTAINMENT BRKT X	2
17	PCT400654	BOTTOM CONTAINMENT LATCH	4
18	PCT400657	BOTTOM CONTAINMENT BRKT Y	2
19	SAW400426	SHAFT	4
20	SAW400427	STOP TUBE	4

4.4

60 GAL AIR STORAGE KIT

KIT400059

Item	Part NO.	Description	QTY
1	CMP400155	BR ADAPTER 2" LONG 3/8" MNPT X 3/8" MNPT	1
2	CMP400386	60 GALLON AIR TANK	1
3	CMP400387	3/8" PRESSURE PROTECTION VALVE 70 PSI	1
4	CMP400440	BR PLUG 1/4" MNPT	1
5	CMP400442	1/4 MPT DRAIN COCK	1
6	CMP400443	BR ADAPTER 1/2" MNPT X 3/8" FNPT	1
7	CMP400511	BR ELBOW 90 DEG 3/8" MNPT X 1/2" FPTC DOT	1
8	CMP400619	BR ELBOW 90 DEG 3/8" MNPT X 1/2" FPTC	1
9	CMP400670	SS PRESSURE GAUGE, 0-200 PSI, 1/2" MNPT BOTTOM MOUNT	1
10	FST100106	1/2" FLAT WASHER	4
11	FST100151	1/2" FLAT WASHER HARDENED	4
12	FST100356	1/2" CRIMP NUT	4
13	FST100407	1/2" X 4 1/2" CAP SCREW	4
14	HYD100164	ST TEE 06 MNPT X 06 FNPT	1
15	SAW400540	SPACER TUBE	4

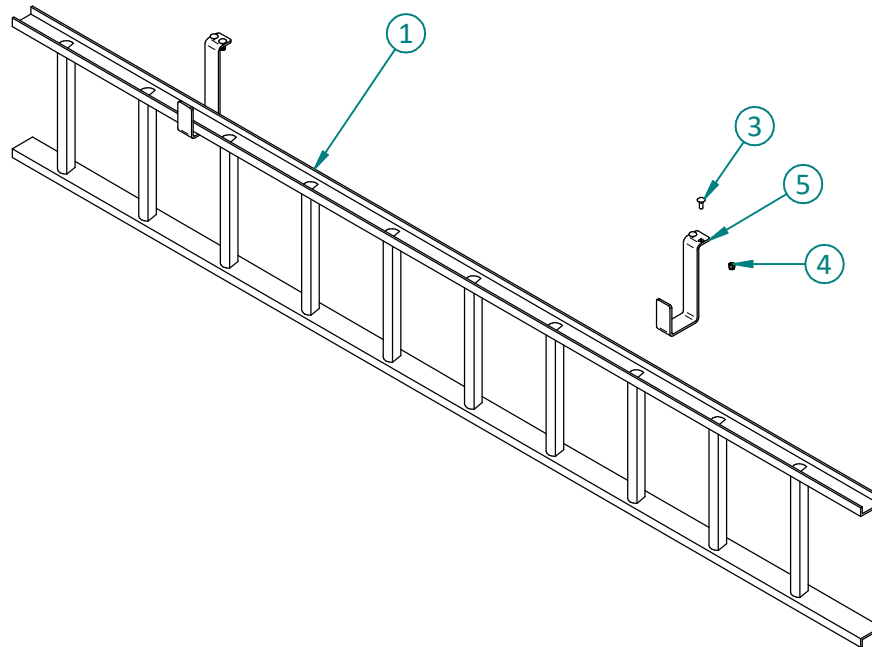


4.4

10' LADDER KIT

KIT400058

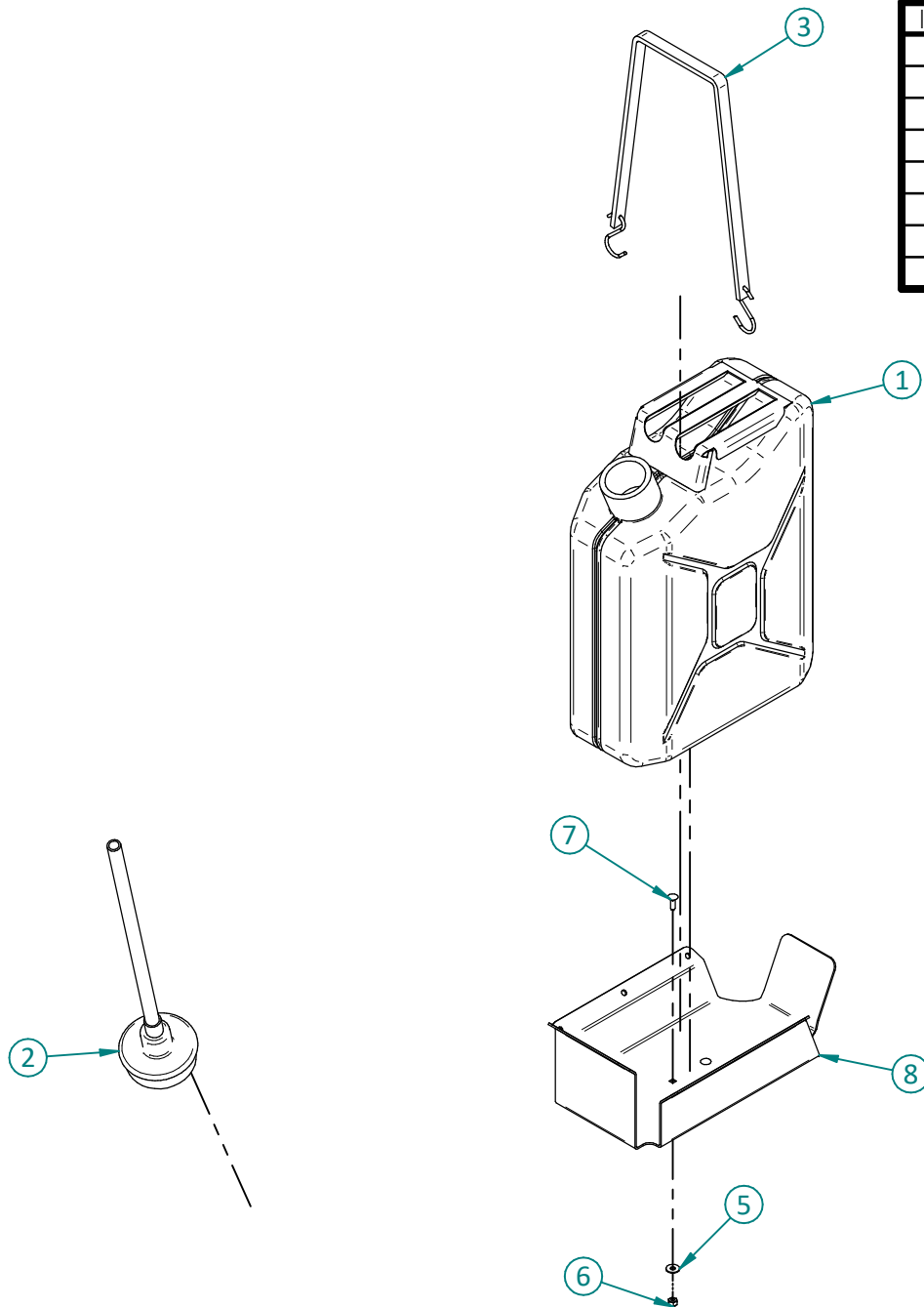
ITEM	PART NO.	DESCRIPTION	QTY
1	CMP400388	10' LADDER	1
2*	DOC400046	10' LADDER QUICK START MANUAL	1
3	FST100199	3/8" x 1" CARRIAGE BOLT	4
4	FST100206	3/8" LOCKNUT	4
5	PCT400401	LADDER HANGER BRKT	2



4.4

JERRY CAN KIT

KIT400087



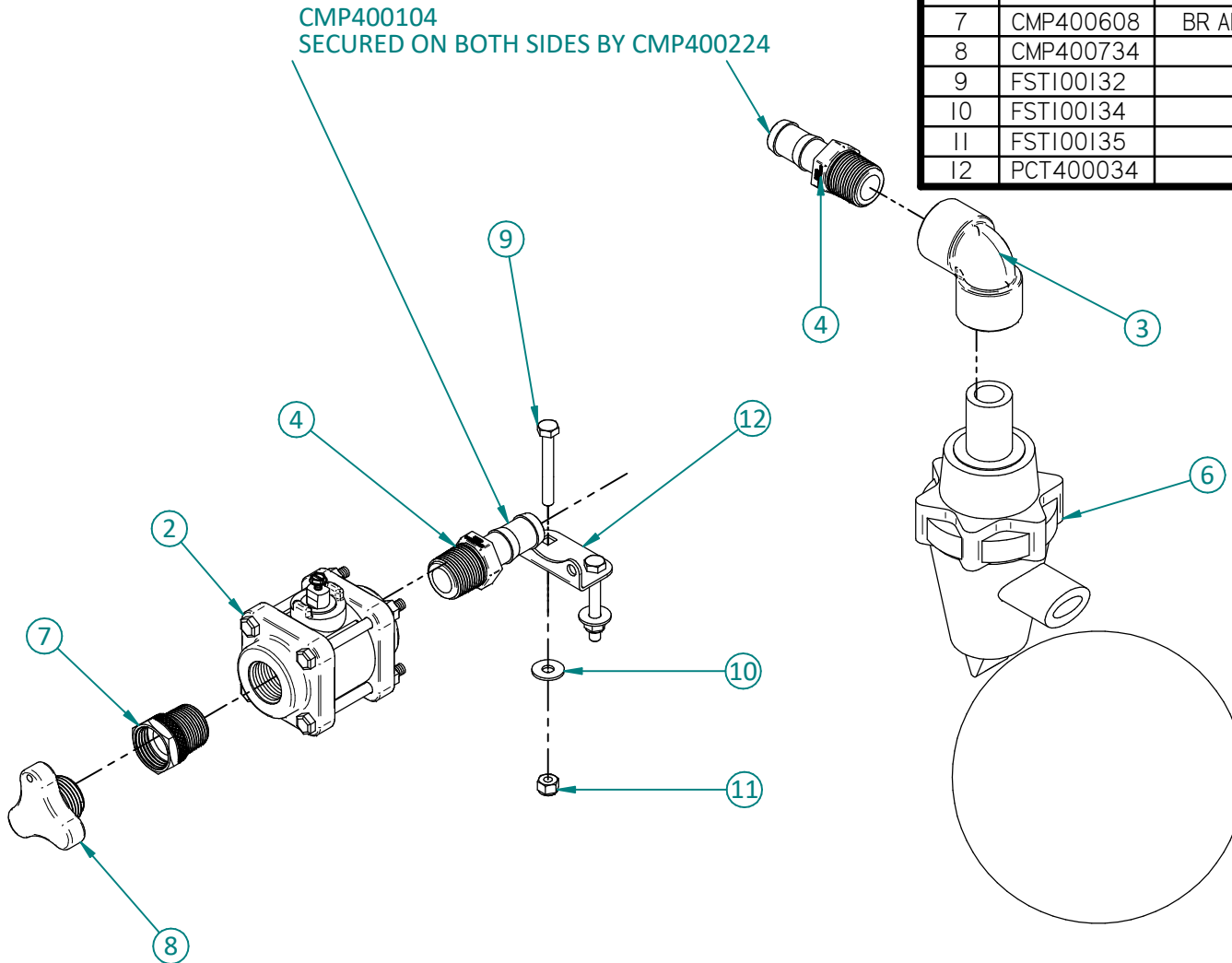
Item	Part NO.	Description	QTY
1	CMP400509	5 GAL/20 L FUEL CAN	1
2	CMP400510	FUEL NOZZLE	1
3	CMP400628	30" RUBBER TARP STRAP	1
4*	DOC400060	JERRY CAN KIT QUICK START GUIDE	1
5	FST100134	1/4" FLAT WASHER	2
6	FST100135	1/4" LOCK NUT	2
7	FST100233	1/4" X 3/4" CARRIAGE BOLT	2
8	PCT400609	JERRY CAN HOLDER	1

2.4 / 4.4

3/4" GARDEN HOSE TANK REFILL KIT

KIT400107

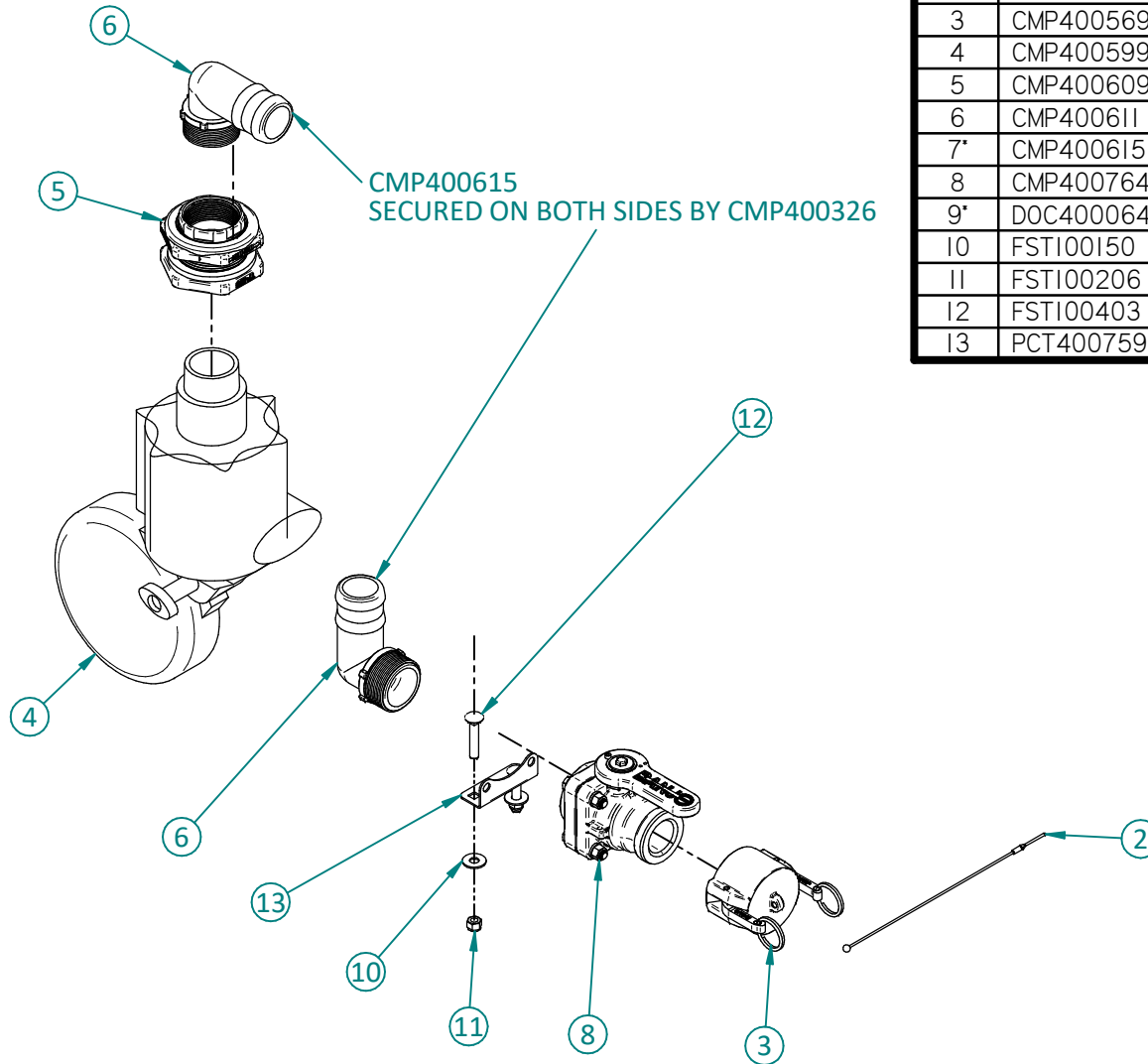
Item	Part NO.	Description	QTY
1*	CMP400104	3/4" INDUSTRIAL WATER HOSE	154 IN
2	CMP400138	PP VALVE BALL 3/4" FNPT X 3/4" FNPT	1
3	CMP400142	PP ELBOW 90 DEG 3/4" FNPT X 3/4" FNPT	1
4	CMP400143	PP ADAPTER 3/4" MNPT X 3/4" HB	2
5*	CMP400224	-12 GEAR CLAMP	2
6	CMP400598	PP VALVE FLOAT 3/4" MPT	1
7	CMP400608	BR ADAPTER 3/4" GHT SWIVEL X 3/4" MNPT	1
8	CMP400734	PL PLUG LOBED 3/4" GHT	1
9	FST100132	1/4" X 2" BOLT	2
10	FST100134	1/4" FLAT WASHER	2
11	FST100135	1/4" LOCK NUT	2
12	PCT400034	VALVE MOUNT BRKT	1



2.4 / 4.4

2" TANK REFILL KIT

KIT400108

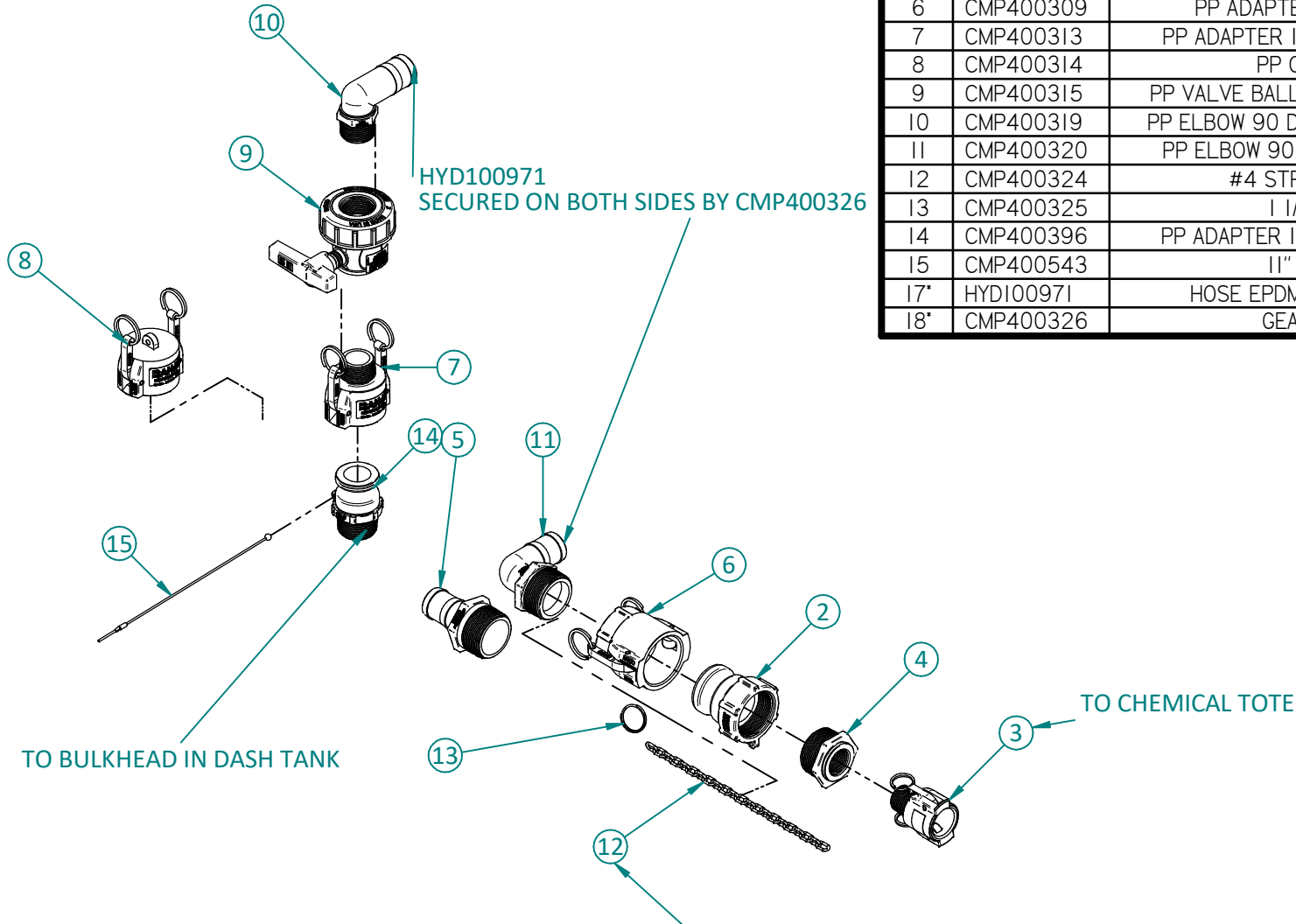


Item	Part NO.	Description	QTY
1*	CMP400326	GEAR CLAMP 1-1/2	2
2	CMP400543	11" QDC LANYARD	1
3	CMP400569	PP CAP 2" FQDC	1
4	CMP400599	PP VALVE FLOAT 2" MPT	1
5	CMP400609	PP BULKHEAD 2" FNPT X 2" FNPT	1
6	CMP400611	PP ELBOW 90 DEG 2" MNPT X 2" HB	2
7*	CMP400615	HOSE 2" WATER DISCHARGE	154 IN
8	CMP400764	PP VALVE BALL 2" MQDC X 2" FNPT	1
9*	DOC400064	2" TANK REFILL KIT QUICK START GUIDE	1
10	FST100150	3/8" FLAT WASHER	2
11	FST100206	3/8" LOCKNUT	2
12	FST100403	3/8" X 2" CARRIAGE BOLT	2
13	PCT400759	VALVE TOP CONN BRKT	1

2.4 / 4.4

TOTE TRANSFER HOSE 10'

KIT400035



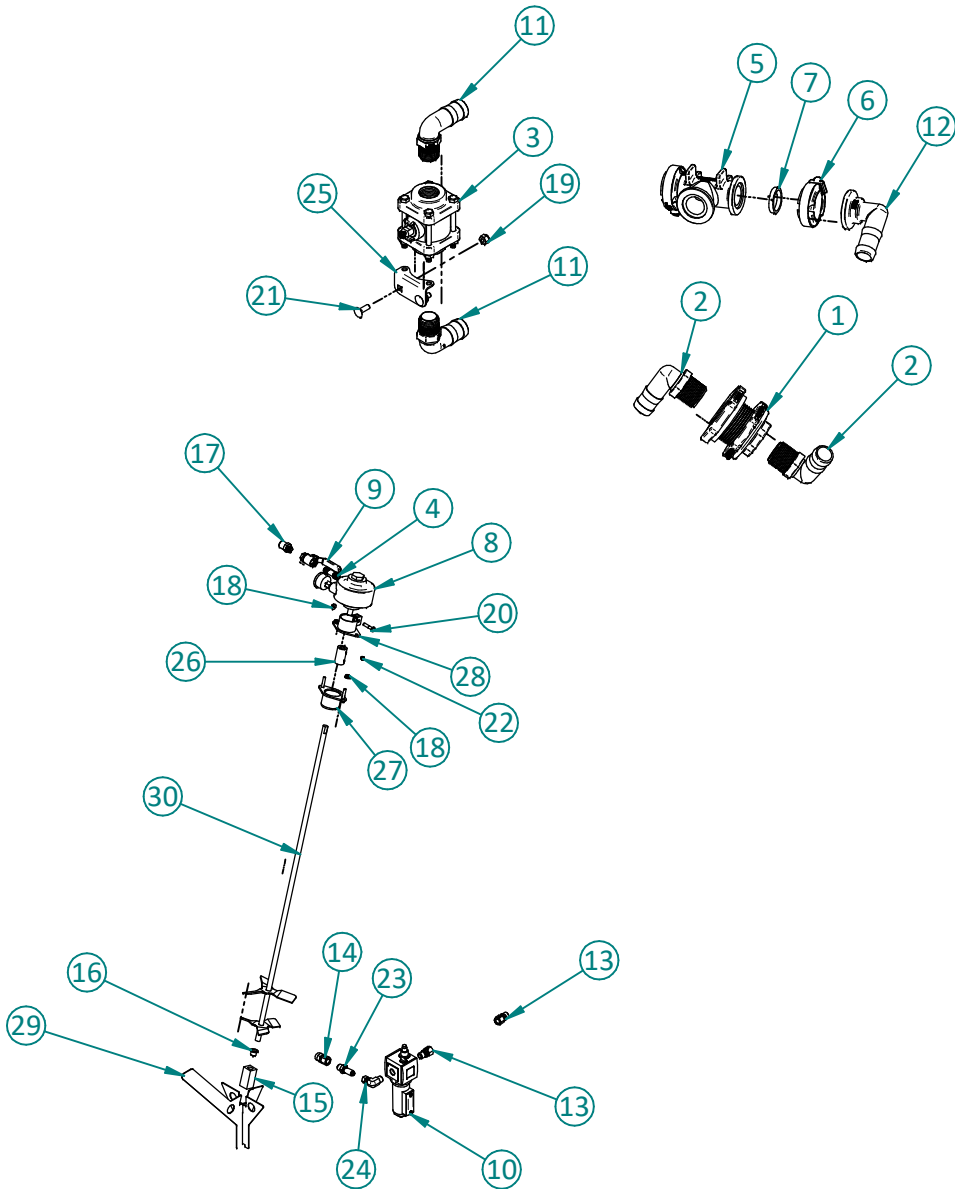
USE 6 IN OF CMP400324 AND 1X CMP400325
TO ATTACH CMP400304 TO CMP400309

ITEM	PART NO.	DESCRIPTION	QTY
1'	DOC400043	TOTE TRANSFER HOSE QUICK START MANUAL	1
2	CMP400304	PP ADAPTER 2" FNPT X 2" MQDC	1
3	CMP400305	PP ADAPTER 1" MNPT X 1" FQDC	1
4	CMP400307	PP ADAPTER 2" MNPT X 1" FNPT	1
5	CMP400308	PP ADAPTER 2" MNPT X 1 1/2" HB	1
6	CMP400309	PP ADAPTER 2" FNPT X 2" FQDC	1
7	CMP400313	PP ADAPTER 1 1/4" MNPT X 1 1/2" FQDC	1
8	CMP400314	PP CAP 1 1/2" FQDC	1
9	CMP400315	PP VALVE BALL 1 1/4" FNPT X 1 1/4" FNPT	1
10	CMP400319	PP ELBOW 90 DEG 1 1/4" MNPT X 1 1/2" HB	1
11	CMP400320	PP ELBOW 90 DEG 2" MNPT X 1 1/2" HB	1
12	CMP400324	#4 STRAIGHT LINK CHAIN	6 IN
13	CMP400325	1 1/4" SPLIT RING	1
14	CMP400396	PP ADAPTER 1 1/2" MNPT X 1 1/2" MQDC	1
15	CMP400543	11" QDC LANYARD	1
17'	HYD100971	HOSE EPDM SUCTION 1 1/2" GREY	120 IN
18'	CMP400326	GEAR CLAMP 1-1/2	2

2.4 / 4.4

AGITATE KIT GEN 2

KIT400070

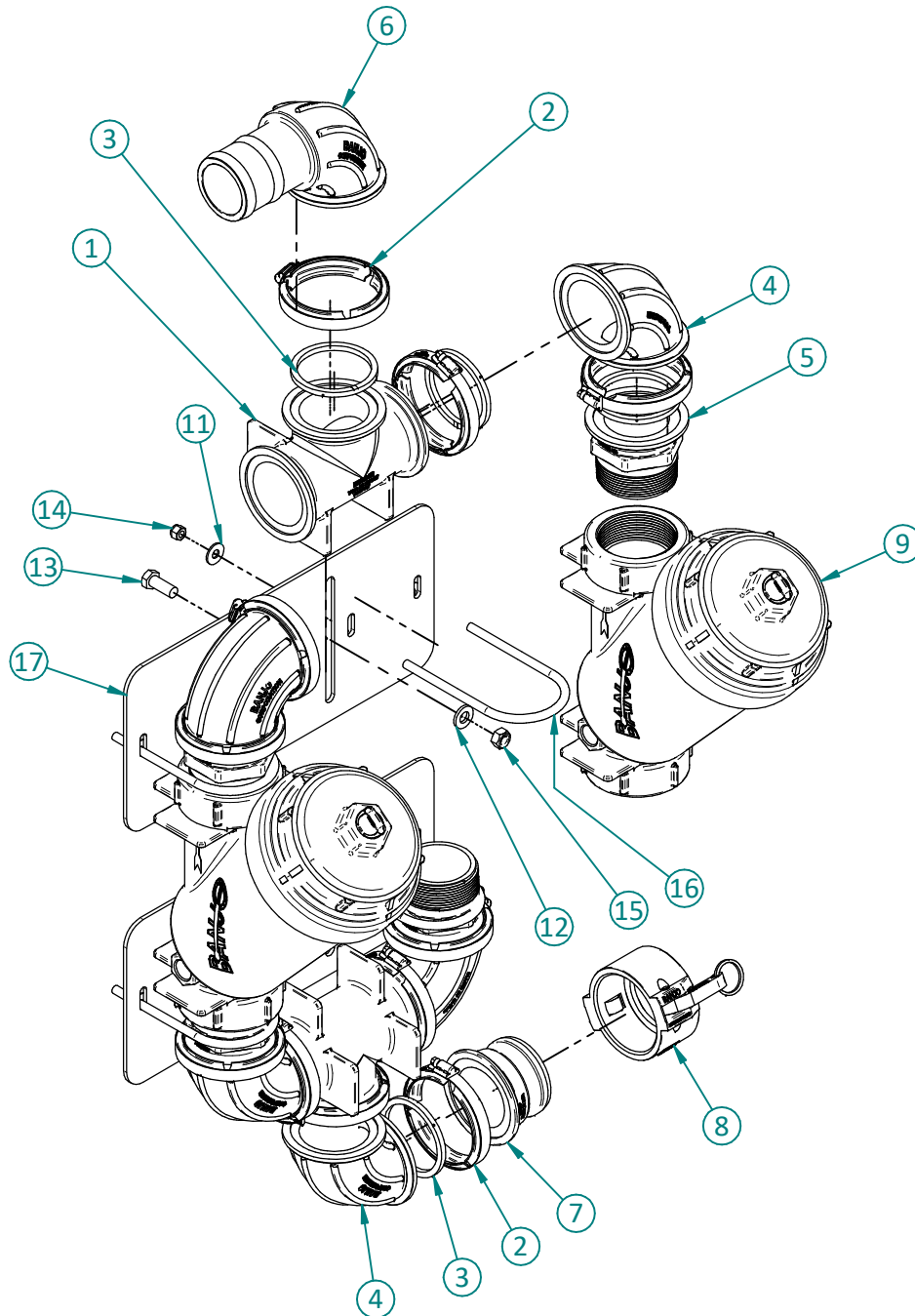


ITEM	PART NO.	DESCRIPTION	QTY
1	CMP400023	PP BULKHEAD 1" FNPT X 1" FNPT	1
2	CMP400037	PP ELBOW 90 DEG 1" MNPT X 1" HB	2
3	CMP400138	PP VALVE BALL 3/4" FNPT X 3/4" FNPT	1
4	CMP400196	BR ADAPTER 2" LONG 1/4" MNPT X 1/4" MNPT	1
5	CMP400205	PP TEE 1" FLG X 1" FLG	1
6	CMP400213	SS CLAMP 1" FLG	2
7	CMP400214	EPDM GASKET 1" FLG	2
8	CMP400261	AIR MOTOR 0.93 HP	1
9	CMP400290	BR VALVE BALL 1/4" FNPT X 1/4" FNPT	1
10	CMP400294	AIR LUBRICATOR 3/8"	1
11	CMP400339	PP ELBOW 90 DEG 3/4" MNPT X 1" HB	2
12	CMP400487	PP ELBOW 90 DEG 1" FLG X 1" HB	1
13	CMP400516	PL ADAPTER 3/8" MNPT X 1/2" FPTC	2
14	CMP400518	BR ADAPTER 3/8" FNPT X 1/2" COMP	1
15	CMP400591	AGITATE SPACER BUSHING	1
16	CMP400592	FLANGE BUSHING 0.500" X 0.594" X 0.500"	1
17	CMP400720	BR ADAPTER 1/4" MNPT X 1/2" FPTC	1
18	FST100129	1/4" FLANGE NUT	3
19	FST100135	1/4" LOCK NUT	2
20	FST100170	1/4" X 1 1/4" CAP SCREW	1
21	FST100233	1/4" X 3/4" CARRIAGE BOLT	2
22	FST100912	1/4"-20 X 1/4" (CUP STYLE), SS SET SCREW	2
23	HYDI00900	ST BULKHEAD 06 MNPT X 06 MJIC	1
24	HYDI00928	ST ELBOW 90 DEG 06 MNPT X 06 FJIC	1
25	PCT400034	VALVE MOUNT BRKT	1
26	SAW400461	SHAFT COUPLER 1/2" SS	1
27	WLD400208	SHAFT SEAL WELDT	1
28	WLD400209	AIR PUMP CLAMP WELDT	1
29	WLD400243	AGITATE ANTI VORTEX WELDT	1
30	WLD400246	AGITATE SHAFT WELDT	1

2.4/4.4

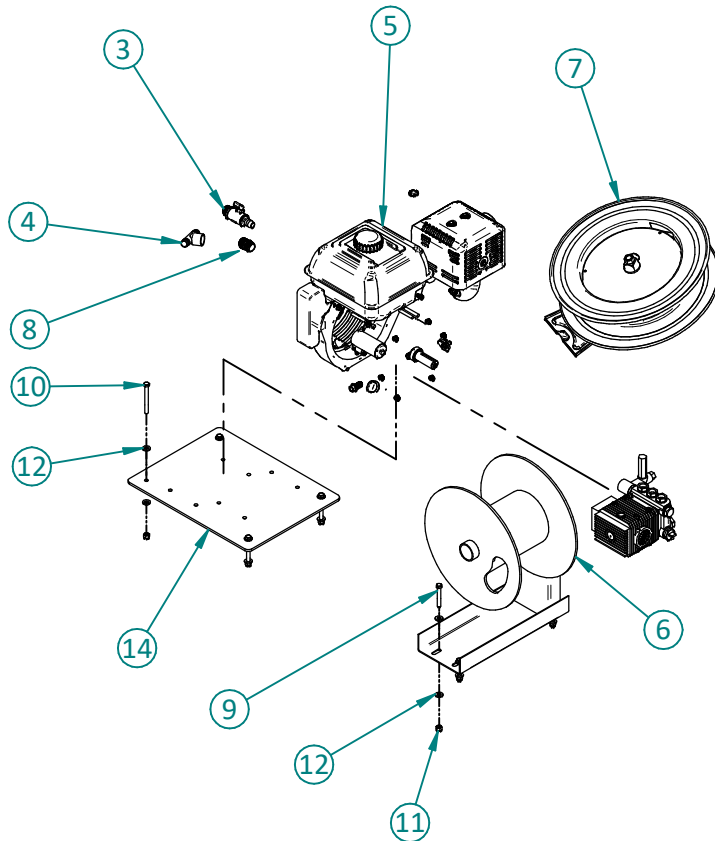
FILTER KIT DUAL 3"

KIT400126



Item	Part NO.	Description	QTY
1	CMP400003	PP TEE 3" FLG X 3" FLG	2
2	CMP400004	SS CLAMP 3" FLG	11
3	CMP400005	EPDM GASKET 3" FLG	11
4	CMP400009	PP SWEEP 3" FLG X 3" FLG	5
5	CMP400032	PP ADAPTER 3" FLG X 3" MNPT	4
6	CMP400094	PP SWEEP 3" FLG X 3" HB	1
7	CMP400243	PP ADAPTER 3" FLG X 3" MQDC	1
8	CMP400335	PP CAP 3" FQDC	1
9	CMP400672	PP FILTER 3" FNPT X 3" FNPT	2
10*	DOC400065	DUAL FILTER KIT QUICK START GUIDE	1
11	FST100150	3/8" FLAT WASHER	8
12	FST100151	1/2" FLAT WASHER HARDENED	4
13	FST100190	1/2" X 1 1/4" CAP SCREW	4
14	FST100206	3/8" LOCKNUT	8
15	FST100356	1/2" CRIMP NUT	4
16	FST100891	3/8" X 3 1/2" X 6 3/4" U-BOLT	4
17	PCT400942	FILTER MOUNT PLATE	2

2.4 / 4.4 PRESSURE WASHER KIT 14 HP KOHLER, 3.5 GPM KIT400127

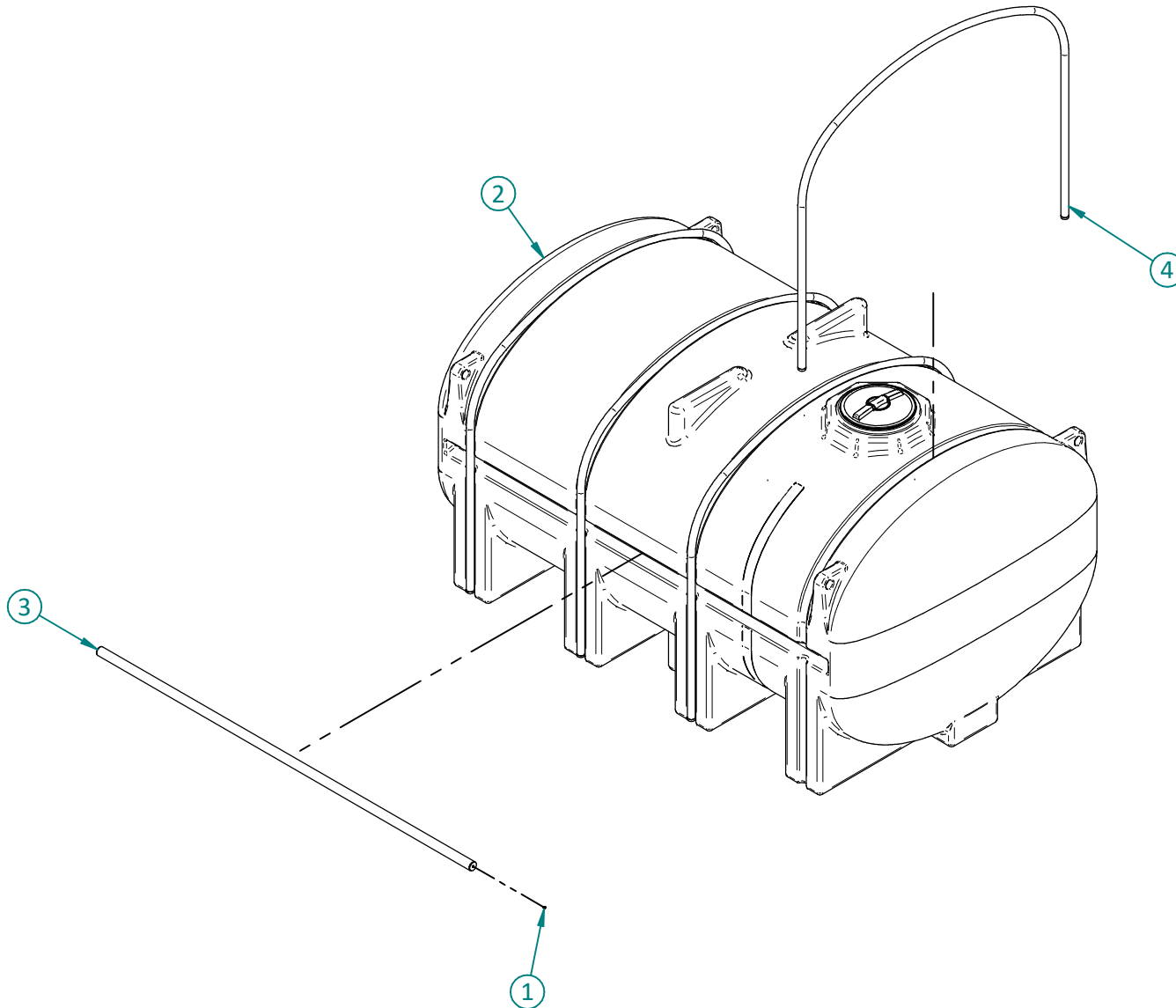


ITEM	PART NO.	DESCRIPTION	QTY
1*	CMP400104	3/4" INDUSTRIAL WATER HOSE	70 IN
2*	CMP400224	-12 GEAR CLAMP	2
3	CMP400658	PP VALVE MICRO 3/4" MNPT X 3/4" HB	1
4	CMP400660	PP TEE 3/4" FNPT X 3/4" HB X 3/4" HB	1
5	CMP400683	14 HP KOHLER W/ EK PUMP	1
6	CMP400684	75FT PRESSURE WASHER HOSE ASSEMBLY	1
7	CMP400685	3FT U-FRAME HOSE REEL KIT	1
8	CMP400731	BR ADAPTER 3/4" MGHT X 3/4" MNPT	1
9	FST100144	3/8" X 2 1/2" CAP SCREW	4
10	FST100198	3/8" X 3 1/2" CAP SCREW	4
11	FST100206	3/8" LOCKNUT	8
12	FST100930	3/8" HARDENED WASHER	16
13*	HYD100998	HOSE 1/2" MNPT END 60" of 3/8" HOSE 1/2" MNPT END	1
14	PCT400899	BASE PLATE PRESSURE WASHER	1
15*	PCT400936	WASHER FOR MOUNTING PLATE	4

This page is intentionally left blank

2.4 / 4.4**3250 GAL LEG TANK****KIT400037**

Item	Part NO.	Description	QTY
1	CMP101127	PL PLUG 1/2"	4
2	CMP400235	3250 GAL ELLIPT. LEG TANK W/O SUMP FULL VENT LIDS	1
3	WLD400233	TANK SIDE SUPPORT, 3250	2
4	WLD400284	3250 GAL HOOP	4

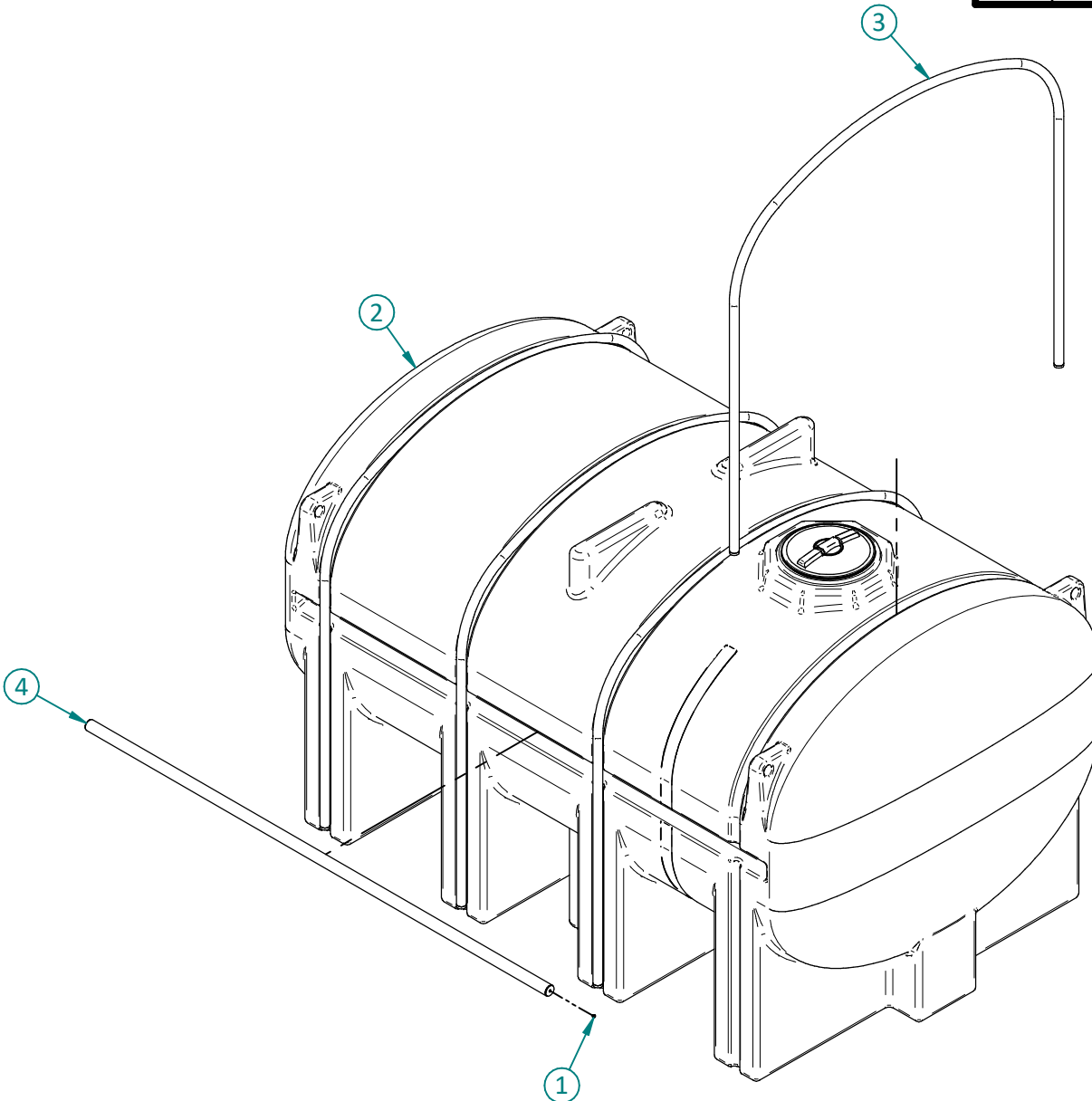


2.4 / 4.4

3750 GAL LEG TANK

KIT400038

Item	Part NO.	Description	QTY
1	CMP101127	PL PLUG 1/2"	4
2	CMP400233	3750 GAL ELLIPTICAL LEG TANK W/O SUMP FULL VENT LIDS	1
3	WLD400212	3750 GAL HOOPS	4
4	WLD400232	TANK SIDE SUPPORT, 3750/4250	2

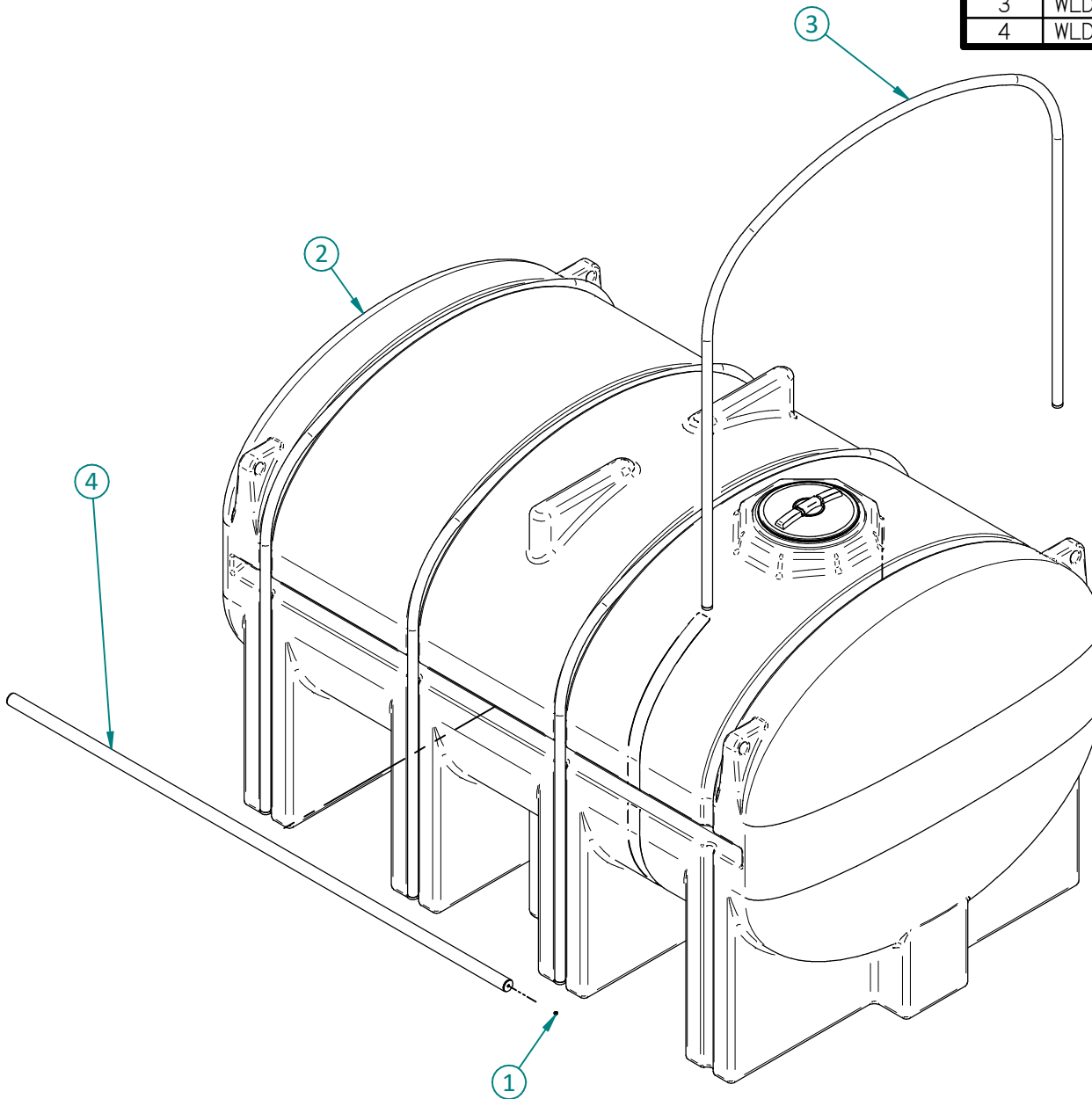


2.4 / 4.4

3750 GAL LEG TANK W/ SUMP & HOOPS

KIT400039

Item	Part NO.	Description	QTY
1	CMPI01127	PL PLUG 1/2"	4
2	CMP400346	3750 GAL ELLIPTICAL LEG TANK W/ SUMP FULL VENT LIDS	1
3	WLD400212	3750 GAL HOOPS	4
4	WLD400232	TANK SIDE SUPPORT, 3750/4250	2

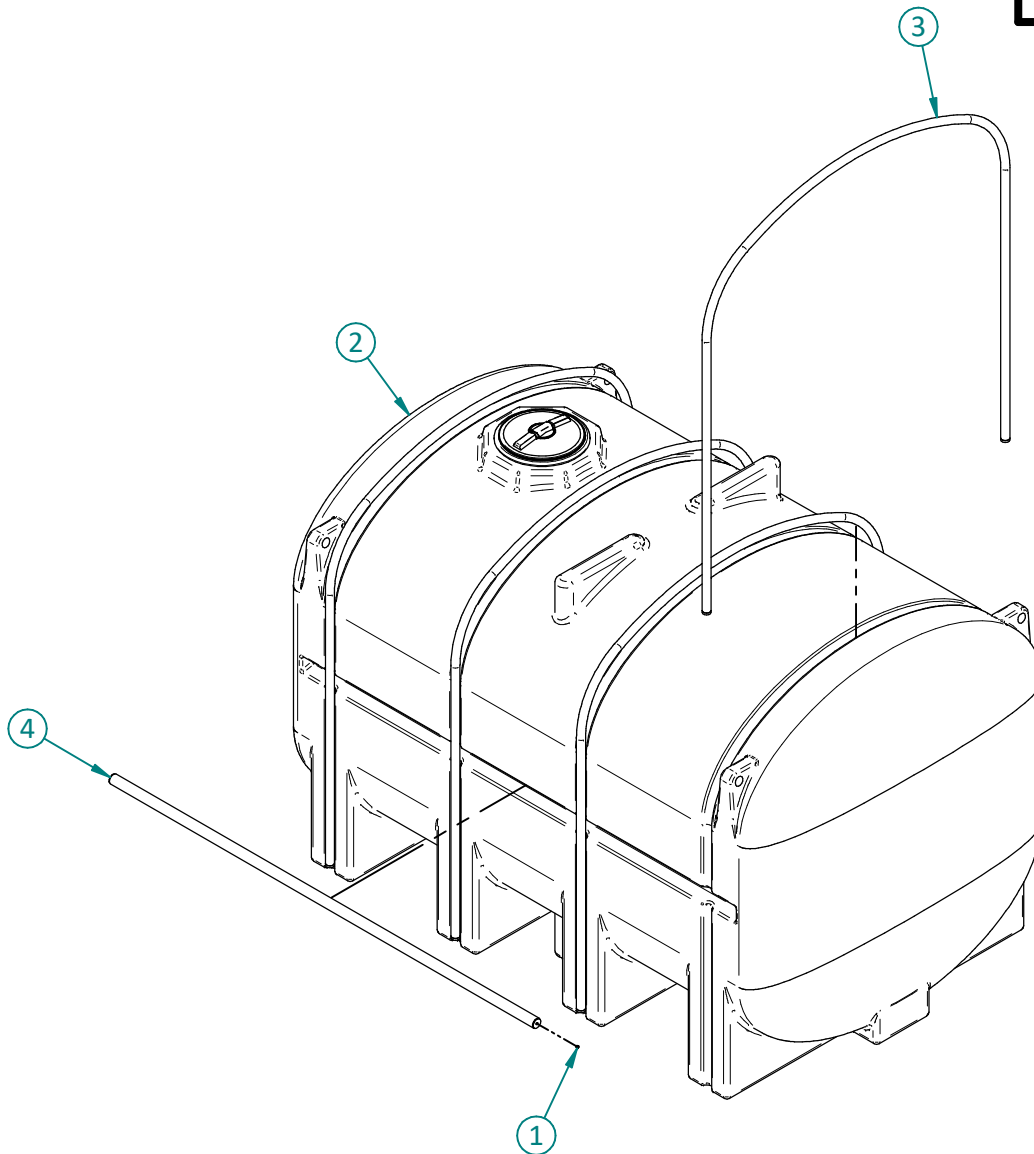


2.4 / 4.4

4250 GAL LEG TANK

KIT400040

Item	Part NO.	Description	QTY
1	CMP101127	PL PLUG 1/2"	4
2	CMP400237	4250 GAL ELLIPT. LEG TANK W/O SUMP FULL VENT LIDS	1
3	WLD400213	4250 GAL HOOPS	4
4	WLD400232	TANK SIDE SUPPORT, 3750/4250	2

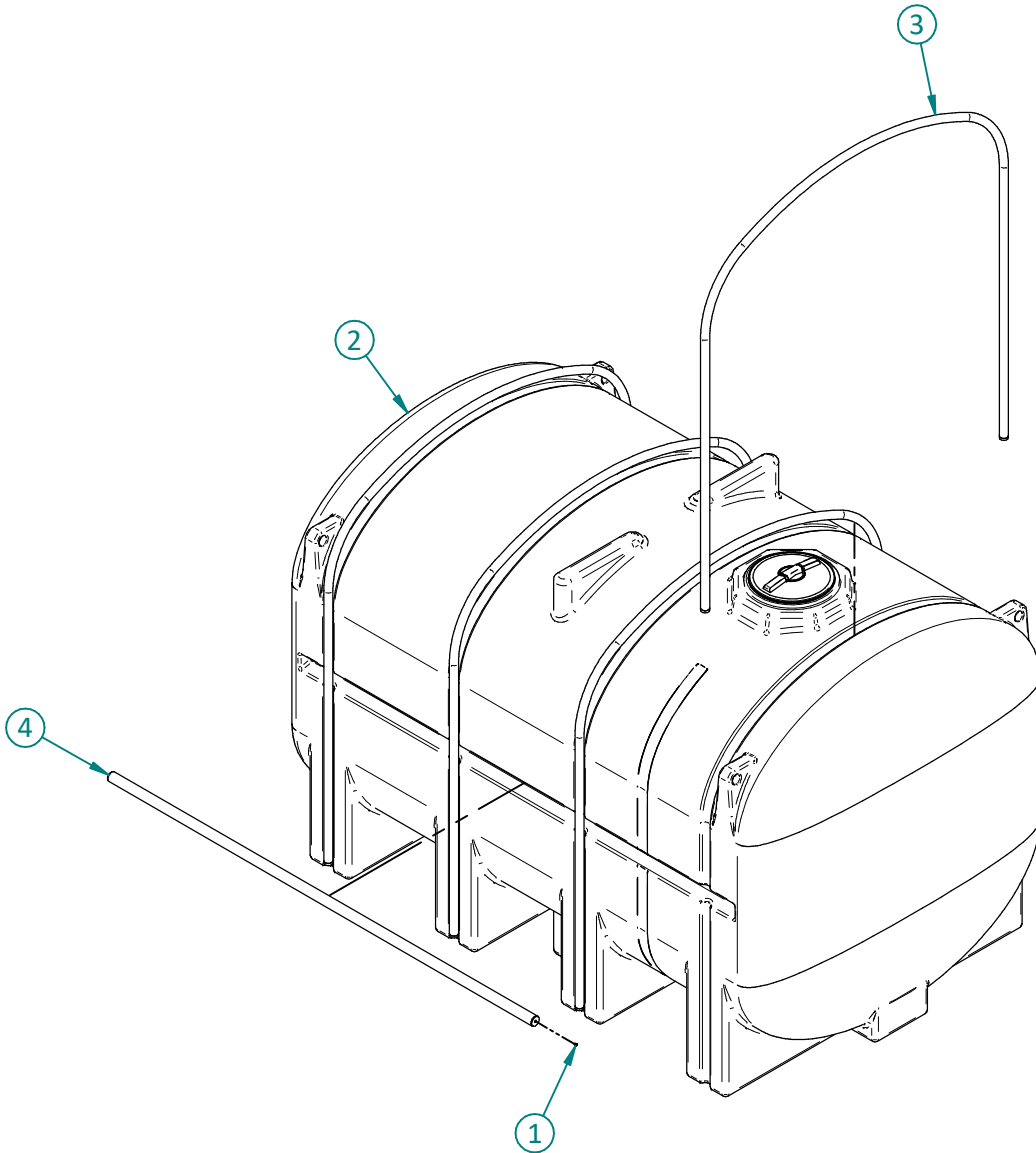


2.4 / 4.4

4250 GAL LEG TANK W/SUMP & HOOPS

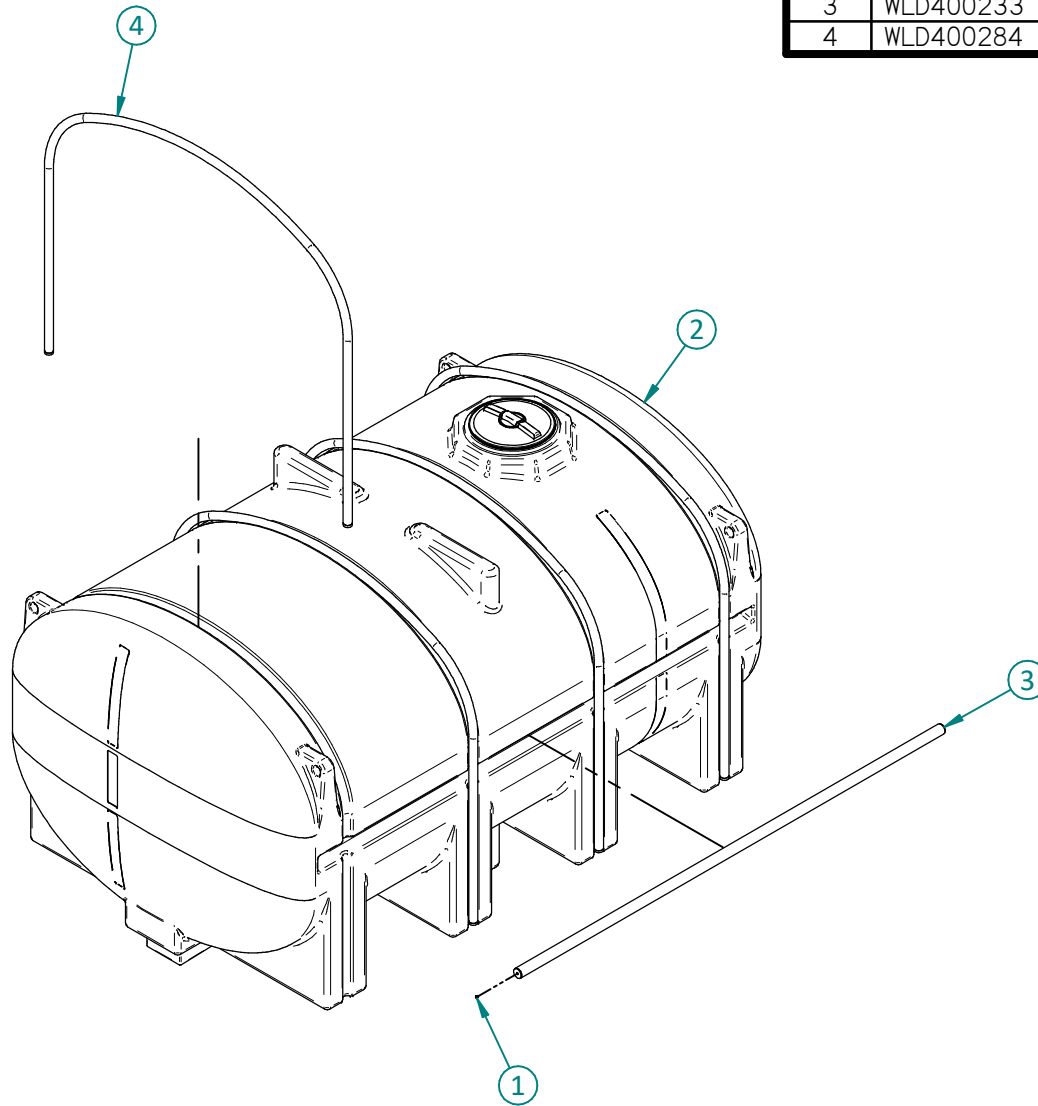
KIT400041

Item	Part NO.	Description	QTY
1	CMP101127	PL PLUG 1/2"	4
2	CMP400296	4250 GAL ELLIPT. LEG TANK W/ SUMP FULL VENT LIDS	1
3	WLD400213	4250 GAL HOOPS	4
4	WLD400232	TANK SIDE SUPPORT, 3750/4250	2



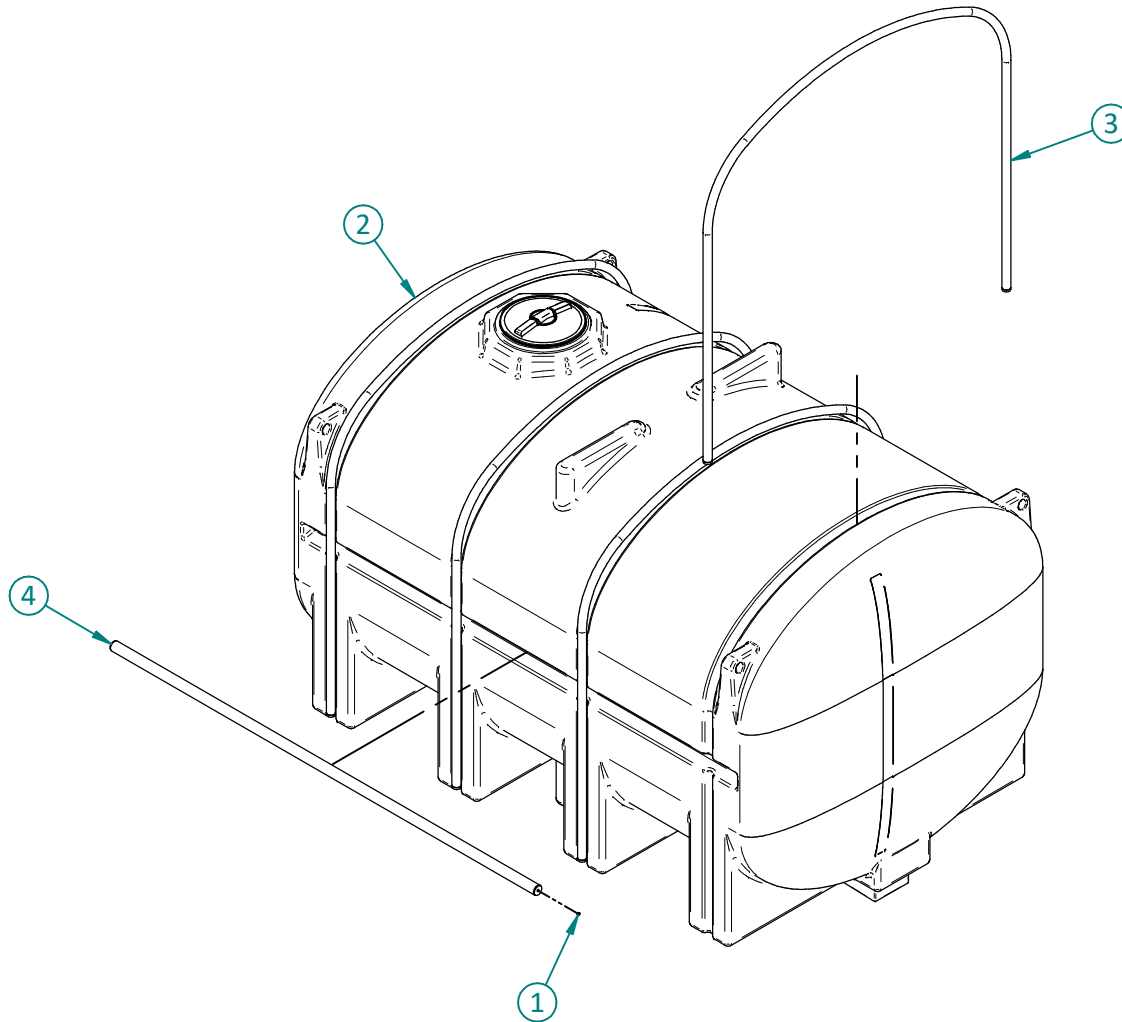
4.4**3250 GAL LEG TANK W/ END SUMP & HOOPS****KIT400066**

Item	Part NO.	Description	QTY
1	CMP101127	PL PLUG 1/2"	4
2	CMP400449	3250 GAL ELLIPT. LEG TANK END SUMP	1
3	WLD400233	TANK SIDE SUPPORT, 3250	2
4	WLD400284	3250 GAL HOOP	4



2.4 / 4.4**3750 GAL LEG TANK W/ END SUMP & HOOPS****KIT400067**

Item	Part NO.	Description	QTY
1	CMP101127	PL PLUG 1/2"	4
2	CMP400450	3750 GAL ELLIPT. LEG TANK END SUMP	1
3	WLD400212	3750 GAL HOOPS	4
4	WLD400232	TANK SIDE SUPPORT, 3750/4250	2

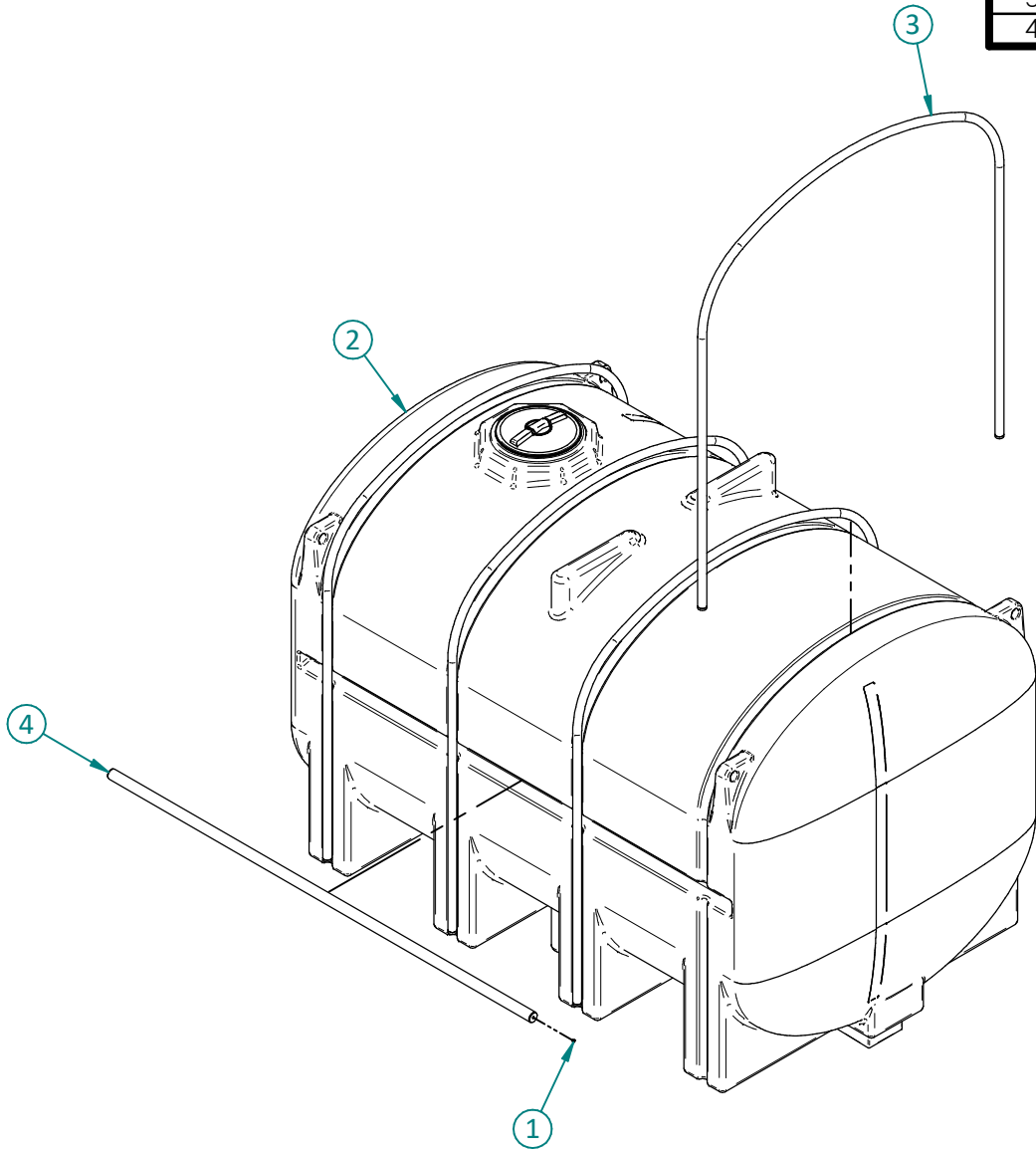


2.4 / 4.4

4250 GAL LEG TANK W/END SUMP & HOOPS

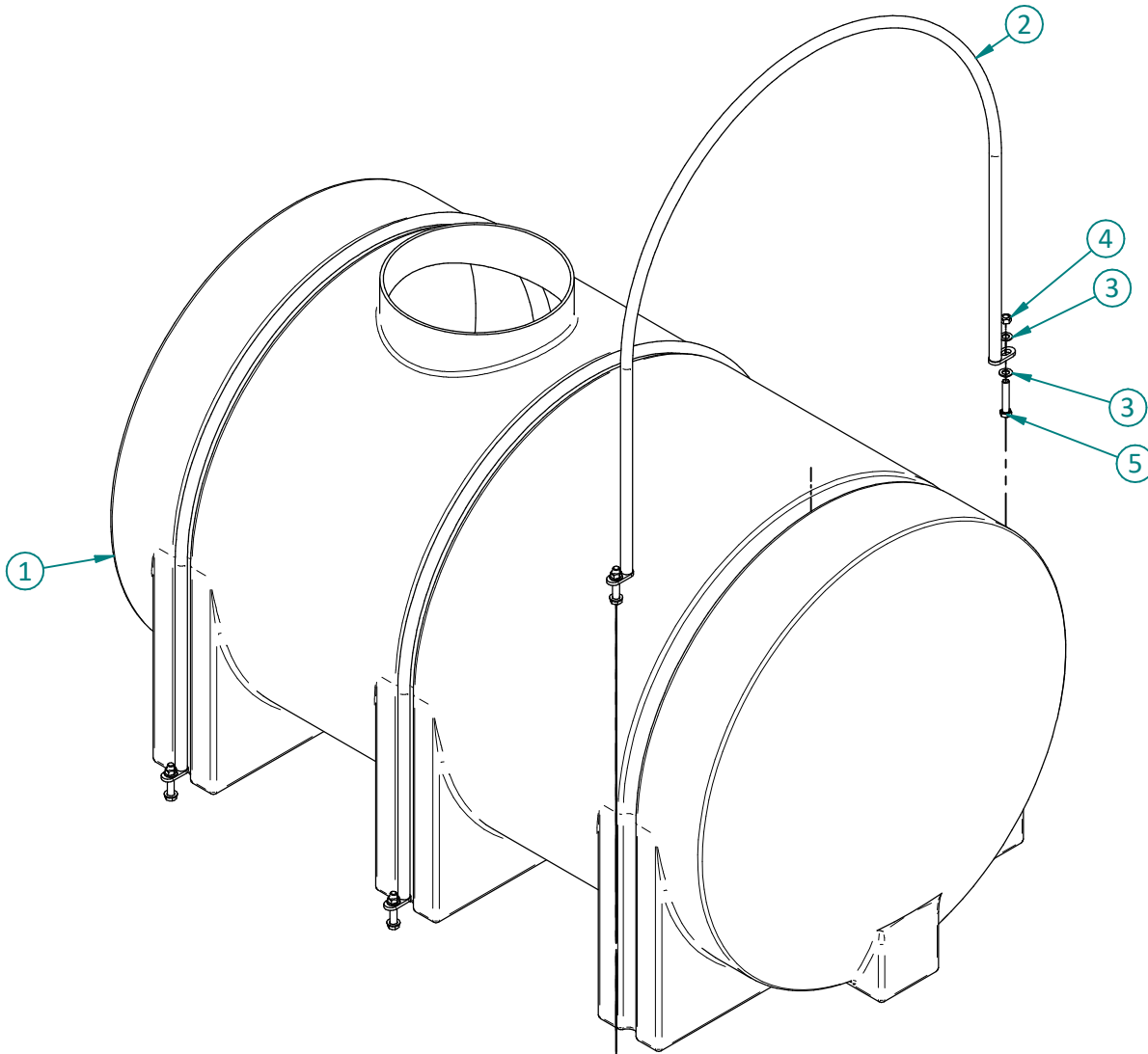
KIT400068

Item	Part NO.	Description	QTY
1	CMPI01127	PL PLUG 1/2"	4
2	CMP400451	4250 GAL ELLIPT. LEG TANK END SUMP	1
3	WLD400213	4250 GAL HOOPS	4
4	WLD400232	TANK SIDE SUPPORT, 3750/4250	2



2.4 / 4.4**1065 GAL TANK KIT****KIT400071**

Item	Part NO.	Description	QTY
1	CMP400413	1065 GAL LEG TANK	1
2	CMP400465	1065 GAL HOOPS	3
3	FST100304	3/4" FLAT WASHER	12
4	FST100405	3/4" CRIMP NUT	6
5	FST100819	3/4" X 4" ALL THREAD CAP SCREW	6

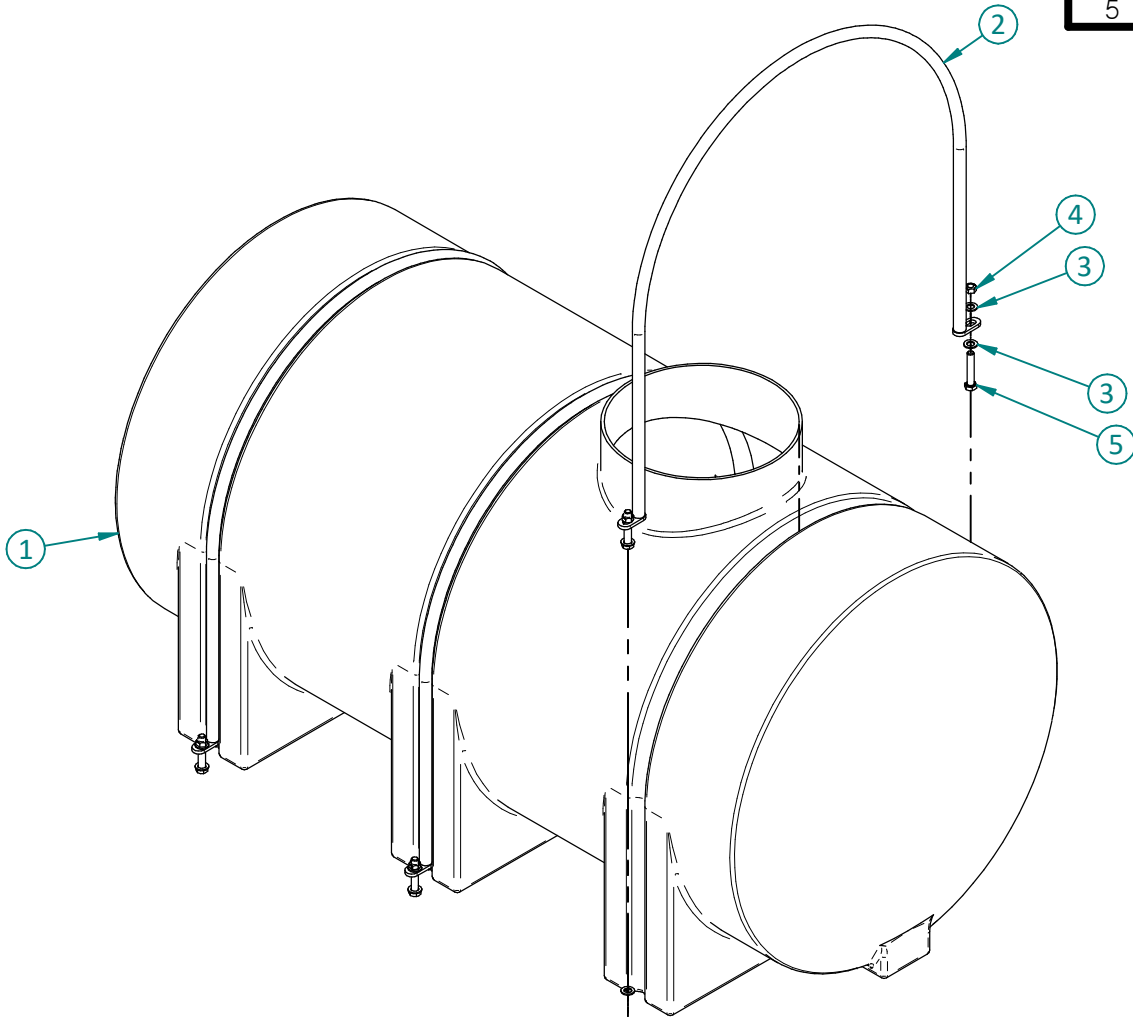


2.4 / 4.4

735 GAL TANK KIT

KIT400072

Item	Part NO.	Description	QTY
1	CMP400464	735 GAL LEG TANK	1
2	CMP400466	735 GAL HOOPS	3
3	FST100304	3/4" FLAT WASHER	12
4	FST100405	3/4" CRIMP NUT	6
5	FST100819	3/4" X 4" ALL THREAD CAP SCREW	6

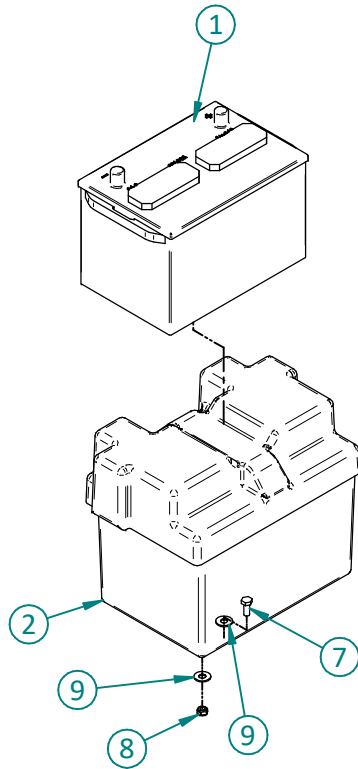


2.4 / 4.4

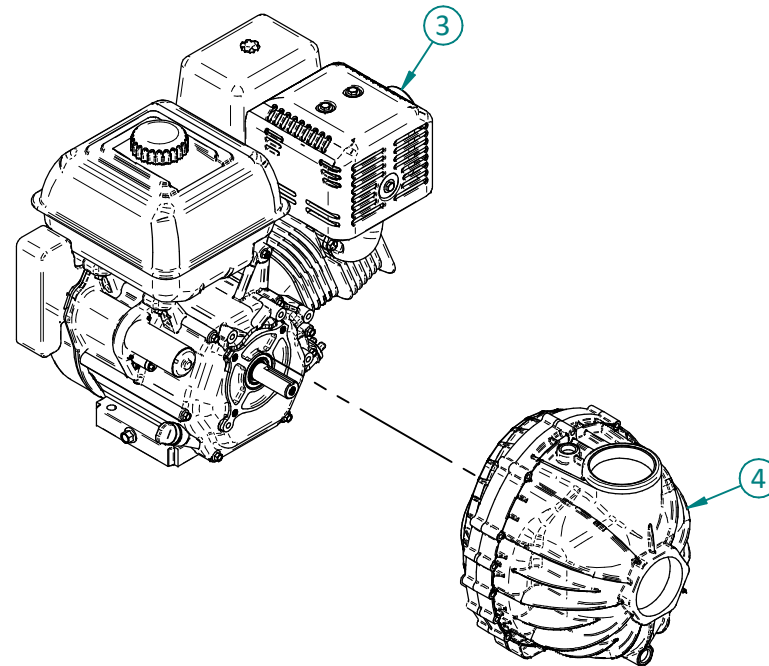
3" PUMP W/13 HP HONDA KIT

KIT400029

SERIAL #XXXXX23289 AND BELOW

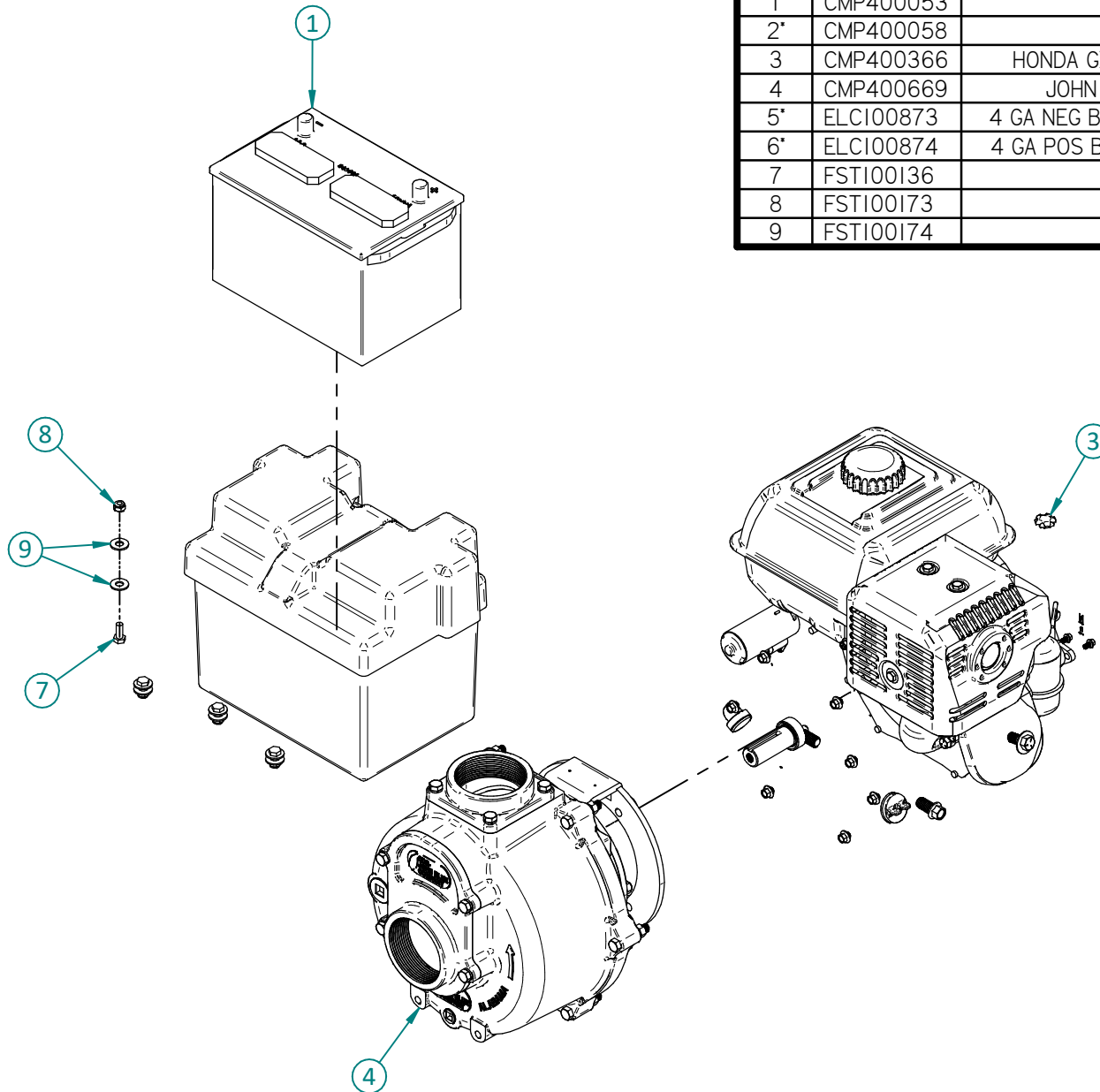


Item	Part NO.	Description	QTY
1	CMP400053	12V BATTERY	1
2	CMP400058	BATTERY CASE	1
3	CMP400366	HONDA GX390 ENGINE W/ ELEC START	1
4	CMP400367	3" POLY PUMP	1
5	ELC100873	4 GA NEG BATTERY CABLE 75" w/ 3/8" EYE	1
6	ELC100874	4 GA POS BATTERY CABLE 75" w/ 1/4" EYE	1
7	FST100136	5/16" x 3/4" BOLT	4
8	FST100173	5/16" LOCK NUT	4
9	FST100174	5/16" FLAT WASHER	8



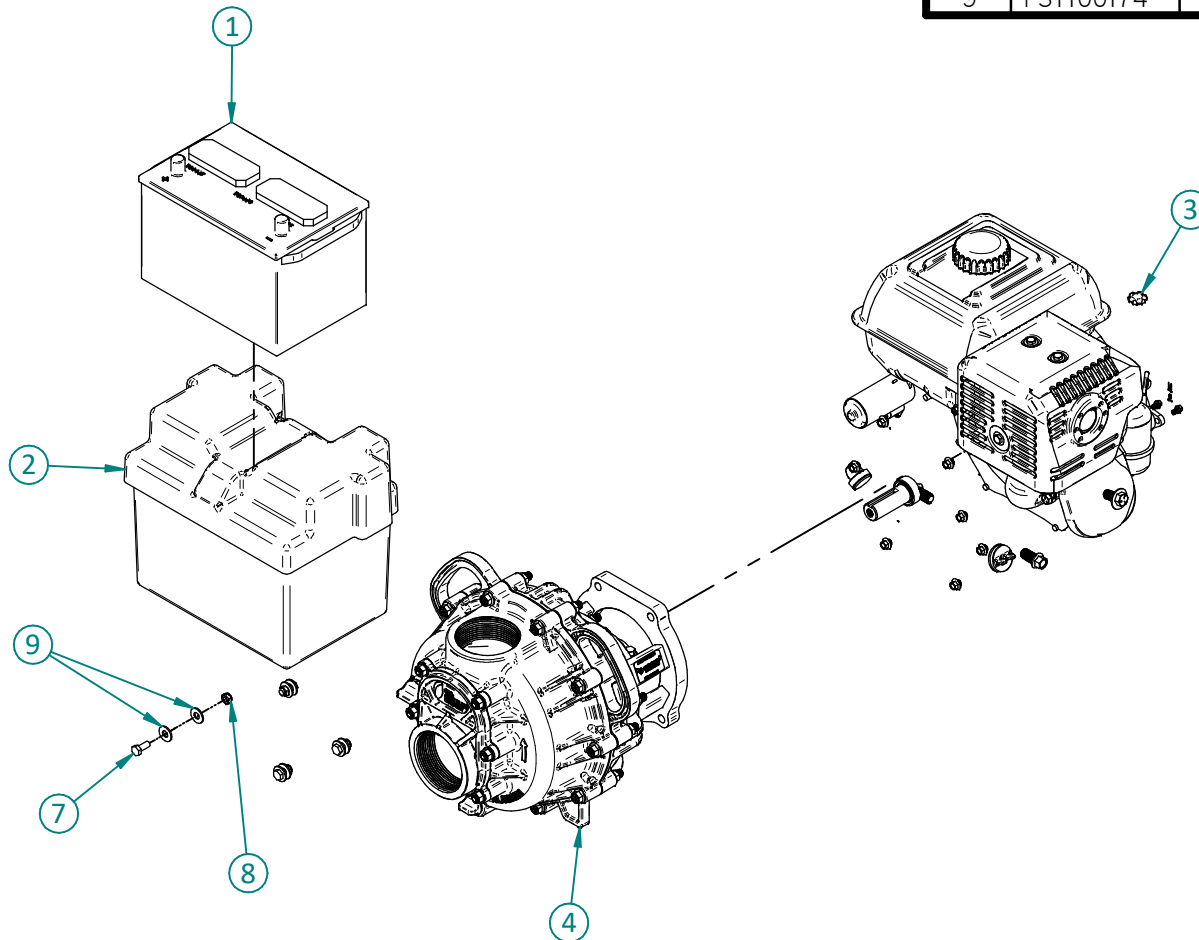
2.4 / 4.4 JOHN BLUE PUMP (CAST IRON) W/13 HP HONDA KIT KIT400130

Item	Part NO.	Description	QTY
1	CMP400053	12V BATTERY	1
2*	CMP400058	BATTERY CASE	1
3	CMP400366	HONDA GX390 ENGINE W/ ELEC START	1
4	CMP400669	JOHN BLUE PUMP SP-3350-BS	1
5*	ELC100873	4 GA NEG BATTERY CABLE 75" w/ 3/8" EYE	1
6*	ELC100874	4 GA POS BATTERY CABLE 75" w/ 1/4" EYE	1
7	FST100136	5/16" x 3/4" BOLT	4
8	FST100173	5/16" LOCK NUT	4
9	FST100174	5/16" FLAT WASHER	8



2.4 / 4.4 JOHN BLUE PUMP (POLY) W/13 HP HONDA KIT KIT400131

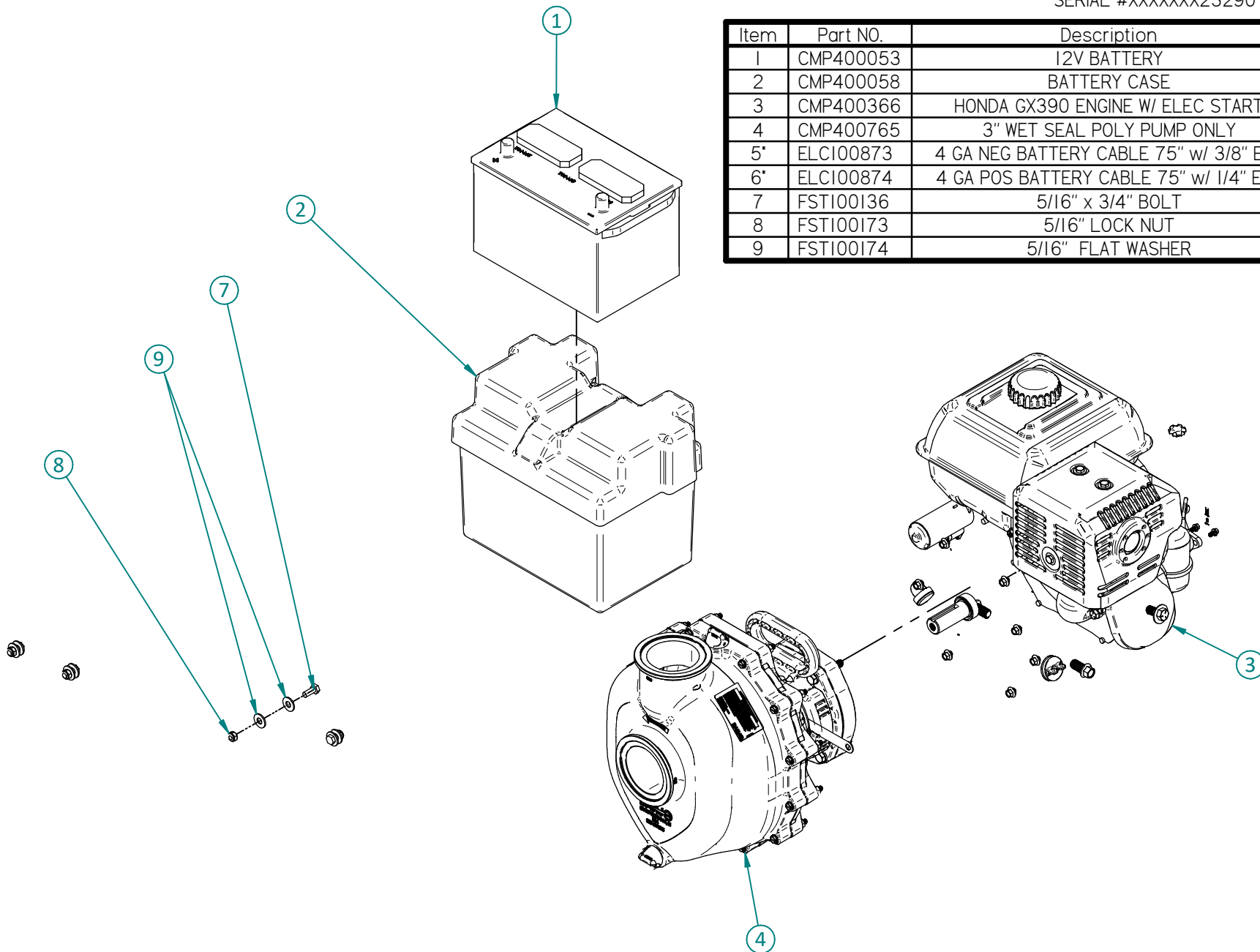
Item	Part NO.	Description	QTY
1	CMP400053	12V BATTERY	1
2	CMP400058	BATTERY CASE	1
3	CMP400366	HONDA GX390 ENGINE W/ ELEC START	1
4	CMP400668	JOHN BLUE PUMP PSP-3340-BS	1
5*	ELC100873	4 GA NEG BATTERY CABLE 75" w/ 3/8" EYE	1
6*	ELC100874	4 GA POS BATTERY CABLE 75" w/ 1/4" EYE	1
7	FST100136	5/16" x 3/4" BOLT	4
8	FST100173	5/16" LOCK NUT	4
9	FST100174	5/16" FLAT WASHER	8



2.4 / 4.4 3" BANJO WET SEAL POLY PUMP W/13HP HONDA KIT KIT400133

SERIAL #XXXXXXX23290 AND ABOVE

Item	Part NO.	Description	QTY
1	CMP400053	12V BATTERY	1
2	CMP400058	BATTERY CASE	1
3	CMP400366	HONDA GX390 ENGINE W/ ELEC START	1
4	CMP400765	3" WET SEAL POLY PUMP ONLY	1
5*	ELC100873	4 GA NEG BATTERY CABLE 75" w/ 3/8" EYE	1
6*	ELC100874	4 GA POS BATTERY CABLE 75" w/ 1/4" EYE	1
7	FST100136	5/16" x 3/4" BOLT	4
8	FST100173	5/16" LOCK NUT	4
9	FST100174	5/16" FLAT WASHER	8





PhiBer Manufacturing Inc.
Box 58 Crystal City, MB
Canada R0K 0N0