

The DASH Carrier



Model: DASH Carrier 4



INNOVATIVE DESIGN • PARTNERS IN EFFICIENCY

PARTS MANUAL

www.phiber.ca

DASH Carrier 4

OVERVIEW.....	1
LIFT.....	2-3
PERCH.....	4-5
WINGS ASSEMBLY.....	6-7
FIXED STAIRS.....	8
FRAME.....	10-13
TRAILER.....	14-15
DECKING.....	16
CARGO NET.....	17

Chemical System Assembly

OVERVIEW.....	18
SECTIONS.....	19-25
SCHEMATIC.....	26

Electrical

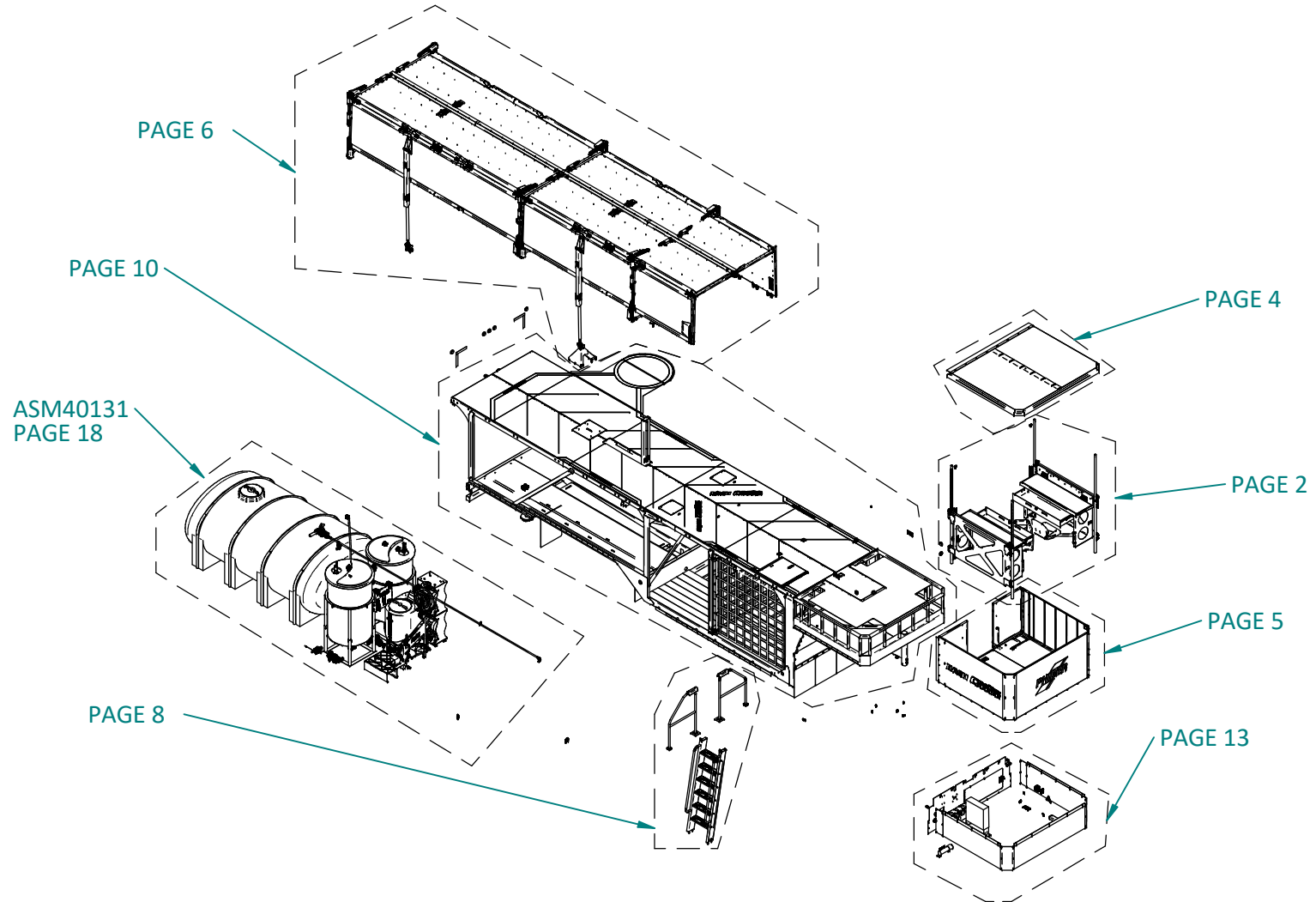
ELECTRICAL SYSTEMS.....	28-29
AC AND DC WIRING.....	30-31
LIGHT HARNESS.....	32-37

Options

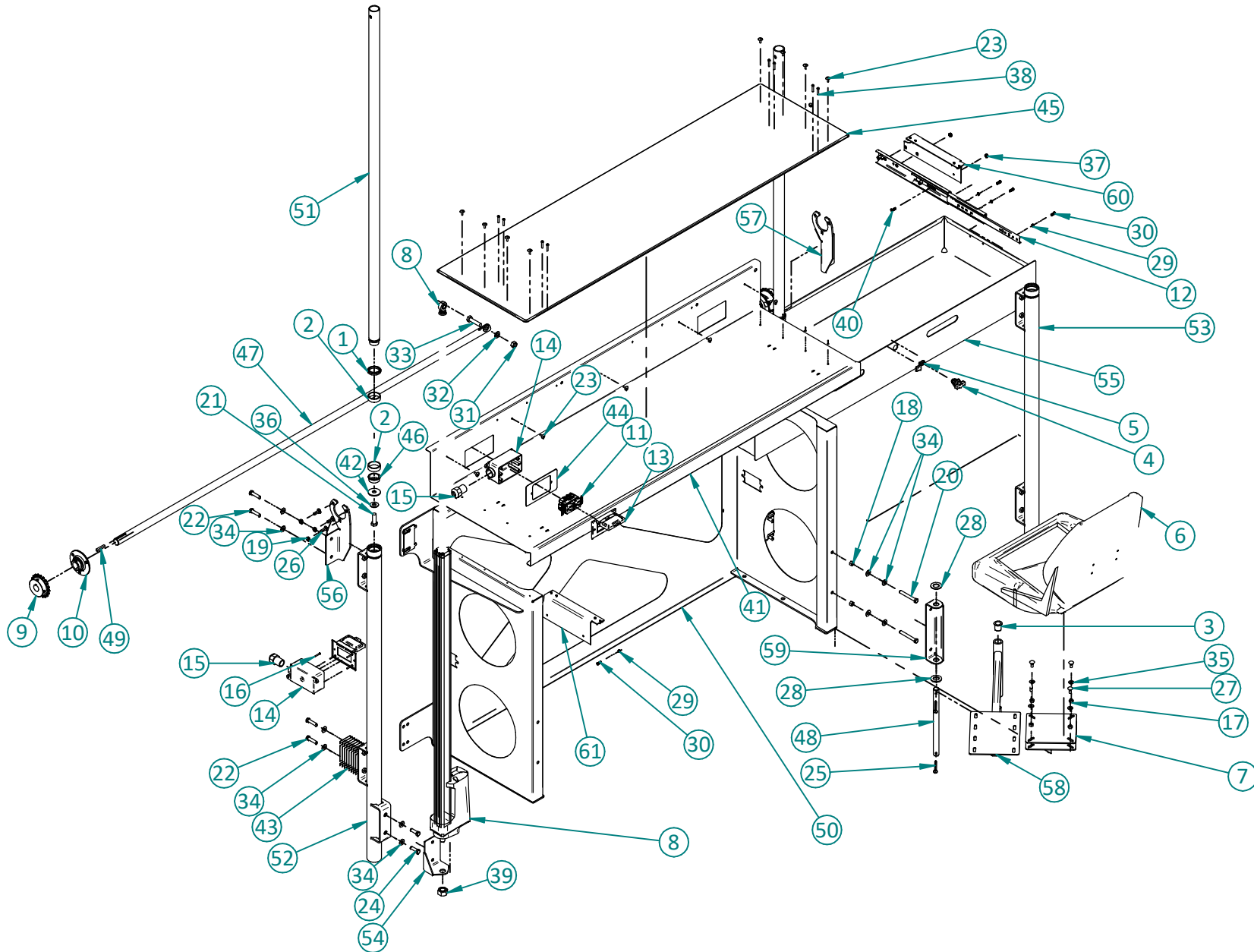
LIGHTING PACKAGE.....	38-39
BATTERY COOLING KIT.....	40-41
GLASS ENCLOSURE WITH AIR CONDITIONING KIT.....	42-43
PERCH ENCLOSURE KIT.....	44-45
AXLES KITS.....	46-47
GENERATORS.....	48-51

DASH CARRIER

KIT400185



DASH CARRIER ASM400220/ASM400221

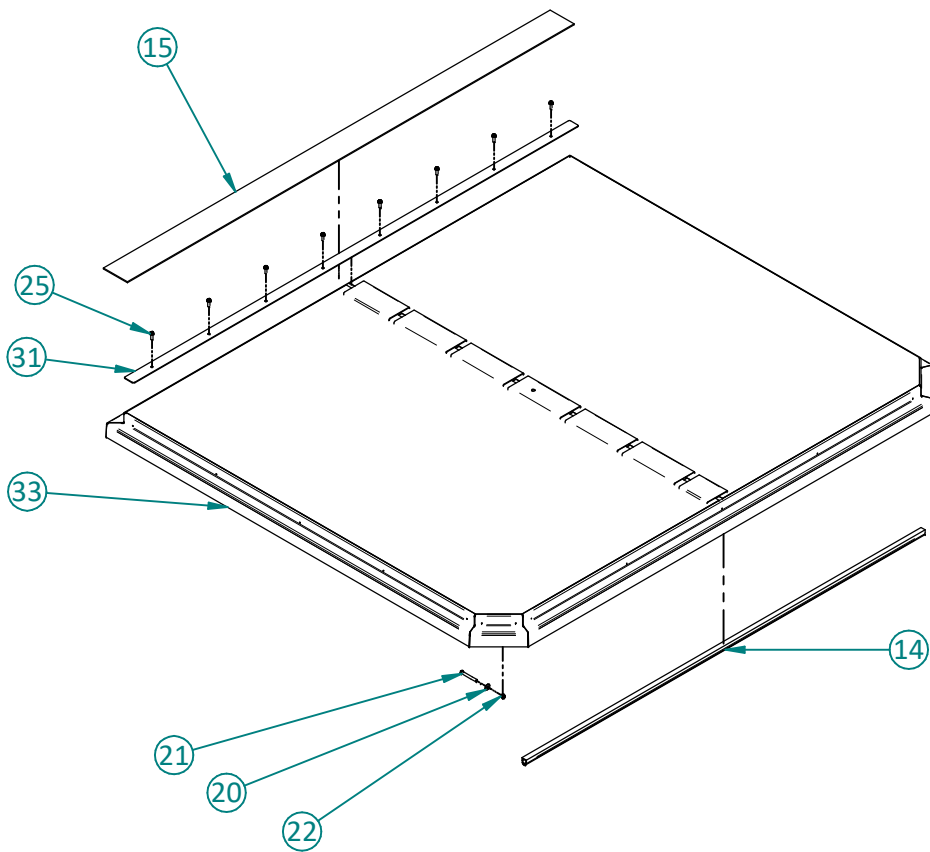


DASH CARRIER ASM400220/ASM400221

ITEM	PART NO.	DESCRIPTION	QTY	ITEM	PART NO.	DESCRIPTION	QTY
35	FST100965	5/16" DOMED SERRATED WASHER	4	1	CMP100802	WIPER ST (1.500 X 1.875 X .187) 90A URETHANE	2
36	FST100966	1/2" DOMED SERRATED WASHER	2	2	CMP101040	WEAR RING (1.750 OD X .500 X 1/8 C/S) NYLON	4
37	FST101002	#10-24 NYLON INSERT LOCK NUT	6	3	CMP400172	FLANGE BUSHING .750" X .875" X 1.000"	2
38	FST101026	# 10 - 24 X 1" ROUND HEAD SCREW	8	4	CMP400808	QUARTER TURN WING KNOB	1
39	FST101029	M20 X 1.5 LOCK NUT	1	5	CMP400809	CAM LOCK	1
40	FST101067	#10-24 X 3/4" FLAT HEAD CAP SCREW	6	6	CMP400856	BOAT SEAT	1
41	PCT401068	SHELF TOP PANEL	1	7	CMP401024	BOAT SEAT PEDESTAL SWIVEL	1
42	PCT401554	GUIDE ROD END CAP	2	8	CMP401131	ACTUATOR, 1010MM STROKE, 24V, 1700 N, PARALLEL	1
43	PCT401854	GUIDE TUBE SHIM, 20GA	22	9	CMP401148	SPROCKET, FINISHED 1" BORE, 20 TOOTH, 40 CHAIN	2
44	PCT402373	COVER PLATE	2	10	CMP401149	BEARING UNIT, SBPF205-16	2
45	SAF400144	DRONE SHELF DECAL	1	11	CMP401223	DUPLEX 125V WALL PLUG W/USB	3
46	SAW400862	SEAL BUSHING	2	12	CMP401475	1277A79_STEEL DRAWER SLIDES	1
47	SAW400870	DRIVE SHAFT	1	13	CMP401559	WEATHERPROOF COVER, GFCI	3
48	SAW400937	PIVOT SHAFT	1	14	ELC100103	SWITCH BOX (FS 15)	3
49	SAW400987	.25 X 1.5 LONG KEY	2	15	ELC100137	3/4" FURREL NUT / GROMMET SCEPTER TSRC15	3
50	WLD400361	SHELF WLDT	1	16	ELC100175	#6-32 X 1" ROUND HEAD MACHINE SCREW SLOTTED SQUARE	4
51	WLD400439	GUIDE ROD WLDT	2	17	FST100139	5/16" NUT	4
52	WLD400445	GUIDE TUBE WLDT	1	18	FST100148	3/8" NUT	2
53	WLD400451	GUIDE TUBE WLDT	1	19	FST100173	5/16" LOCK NUT	6
54	WLD400454	LH ACTUATOR MOUNT	1	20	FST100182	3/8" X 3" CAP SCREW	2
55	WLD400455	STEP DRAWER WLDT	1	21	FST100191	1/2" X 1 1/2" CAP SCREW	2
56	WLD400457	BEARING SUPPORT WLDT LH	1	22	FST100201	3/8" X 1 1/2" CAP SCREW	8
57	WLD400458	BEARING SUPPORT WLDT LH	1	23	FST100228	POP RIVET STEEL 3/16 X 1/2 X 5/8 HEAD	13
58	WLD400494	SEAT WLDT	1	24	FST100241	3/8" X 1 1/4" CAP SCREW	2
59	WLD400495	GUSSET WLDT	1	25	FST100314	1/4" x 2" COTTER PIN	2
60	WLD400574	HANGER WLDT RH	1	26	FST100344	5/16" x 1" CARRIAGE BOLT	6
61	WLD400575	HANGER WLDT LH	1	27	FST100350	5/16" X 3/4" CARRIAGE BOLT	4
				28	FST100404	3/4" WASHER HARDENED	2
				29	FST100471	#8-32 LOCK NUT	6
				30	FST100472	#8-32 X 5/8" MACHINE SCREW	6
				31	FST100778	M12 - 1.75 CRIMP NUT	1
				32	FST100855	M12 FLAT WASHER	2
				33	FST100866	M12 X 50 CAP SCREW GR10.9	1
				34	FST100963	3/8" DOMED SERRATED WASHER	14

DASH CARRIER

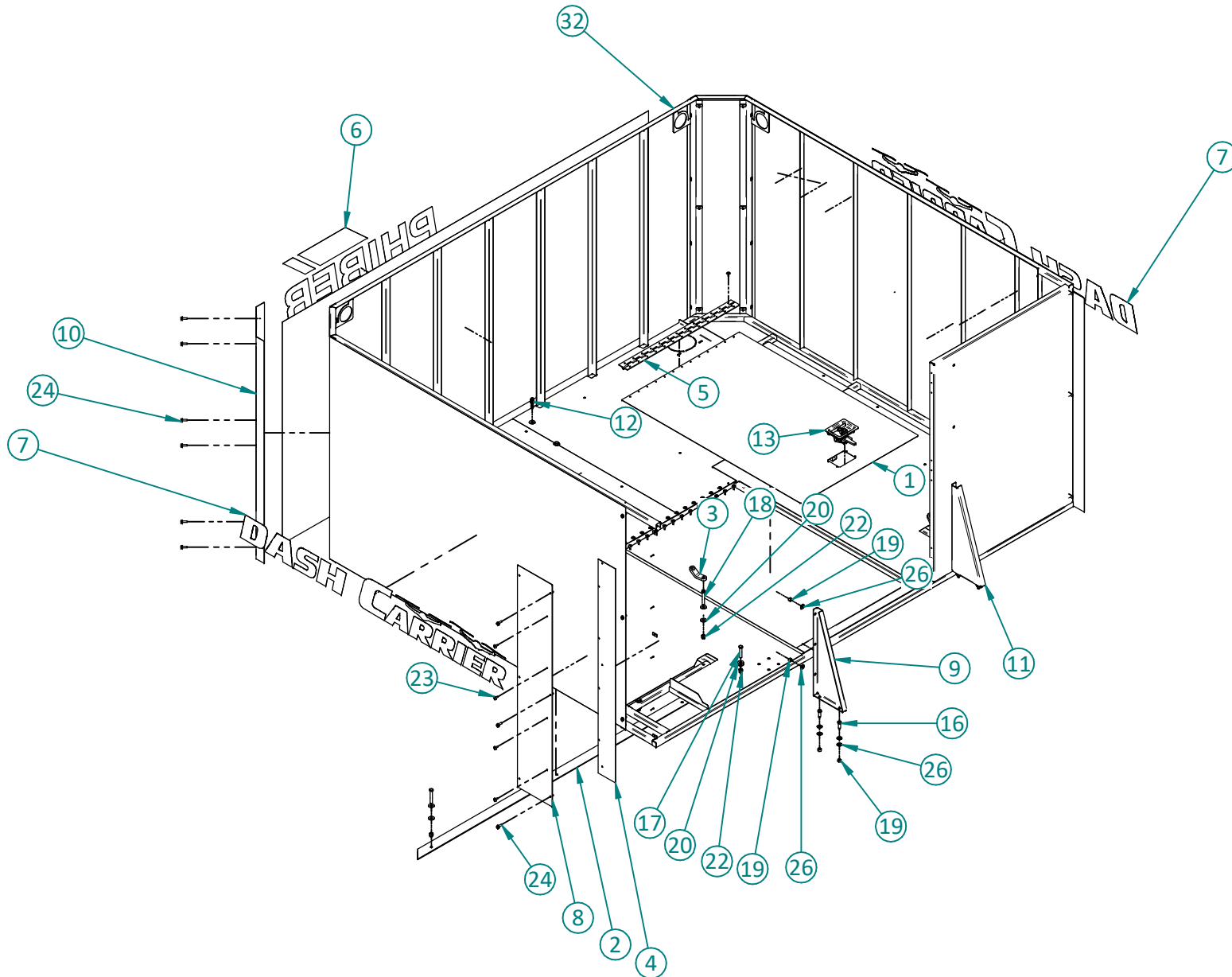
ASM400128



ITEM	PART_NO	DESCRIPTION	QTY
1	WLD400467	FLOOR HATCH WLDT	1
2	SAW400935	FRONT MOUNTING ANGLE	1
3	PCT402316	LIFTING LUG	4
4	CMP401466	SIDE RUBBER SEAL	2
5	CMP401275	FLOOR HINGE	1
6	SAF400161	FRONT LOGO DASH CARRIER	1
7	SAF400109	DASH CARRIER DECAL	2
8	PCT401892	PANEL DOOR	2
9	PCT401899	REAR GUSSET LH	1
10	PCT401874	CORNER PANEL	2
11	PCT401898	REAR GUSSET RH	1
12	CMP400283	BR ADAPTER 1/4" MNPT X 3/8"	1
13	CMP400955	RECESSED HANDLE	1
14	CMP401006	ROOF SEAL	25 FT
15	CMP401446	RUBBER STRIP	1
16	FST100141	3/8" X 1" CAP SCREW	4
17	FST100143	3/8" X 2" CAP SCREW	6
18	FST100144	3/8" X 2 1/2" CAP SCREW	7
19	FST100148	3/8" NUT	8
20	FST100150	3/8" FLAT WASHER	30
21	FST100182	3/8" X 3" CAP SCREW	4
22	FST100206	3/8" LOCKNUT	17
23	FST100228	POP RIVET STEEL 3/16 X 1/2 X	34
24	FST100247	1/4" X 3/4" FLANGE BOLTS	24
25	FST100263	5/16" x 1" SELF TAP	8
26	FST100963	3/8" DOMED SERRATED	12
31	PCT401815	REAR TRIM	1
32	WLD400323	PERCH MAIN FRAME WLDT	1
33	WLD400339	ROOF FRAME WLDT	1

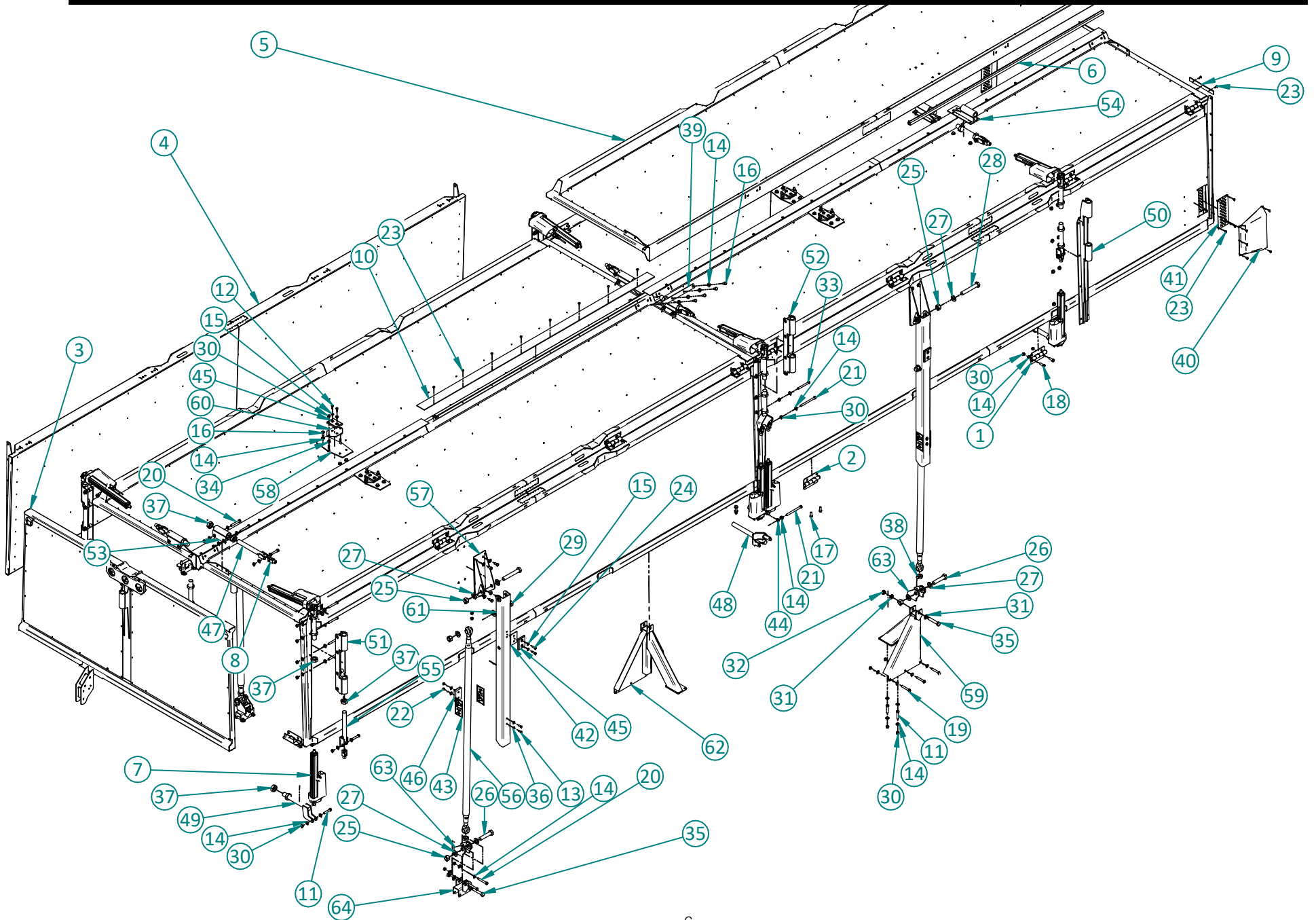
DASH CARRIER

ASM400128



DASH CARRIER

ASM400226



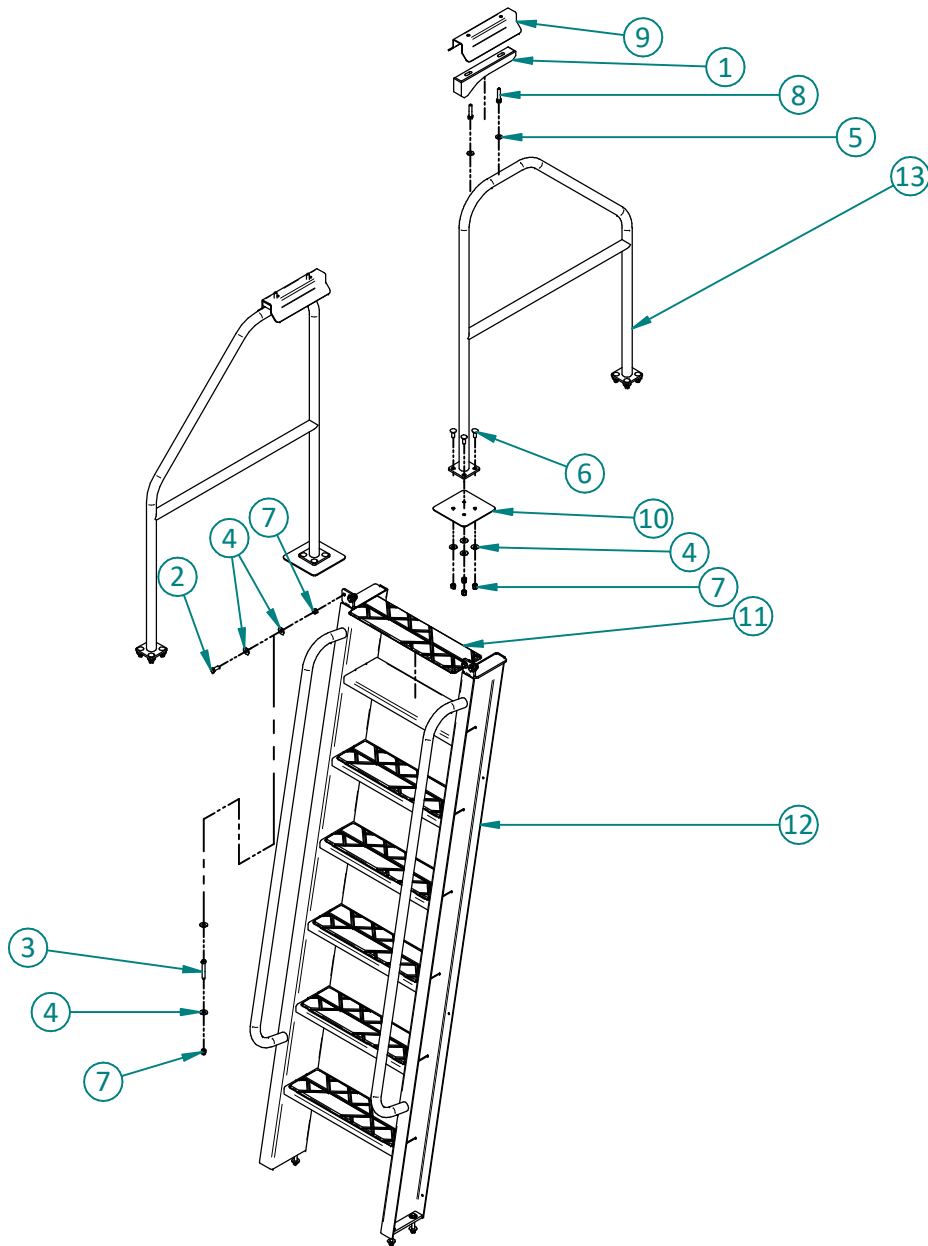
DASH CARRIER**ASM400226**

ITEM	PART NO.	DESCRIPTION	QTY	ITEM	PART NO.	DESCRIPTION	QTY
35	FST100819	3/4" X 4" ALL THREAD CAP SCREW	4	1	ASM400243	HINGE ASSY RH	24
36	FST100930	3/8" HARDENED WASHER	12	2	ASM400244	HINGE ASSY LH	24
37	FST101039	1 1/4" NF JAM NUT	50	3	ASM400247	REAR WING ASSEMBLY	1
38	FST101076	1 1/8" JAM NUT	4	4	ASM400268	INNER WING ASSEMBLY	4
39	PCT401780	OUTER WING CONNECTOR PLATE	4	5	ASM400270	OUTER WING ASSEMBLY	4
40	PCT401927	AIR SCOOP	2	6	CMP401006	ROOF SEAL	25 FT
41	PCT401986	WING VENT PLATE	4	7	CMP401167	ACTUATOR, 300MM STROKE, 24V, 6800 N	15
42	PCT402179	BUMPER SHIM	4	8	CMP401193	M16-1.50 CLEVIS W/ 14MM HOLE	15
43	SAF-200103	PINCH POINT HAZARD UNDER LIFT IN ACCUMULATOR	8	9	CMP401462	PLASTIC STRIP	8
44	SAW400899	SPACER	8	10	CMP401467	TOP RUBBER SEAL	4
45	SAW401017	BUMPER	8	11	FST100102	1/2" x 2 1/2" CAP SCREW	25
46	SAW401018	OVER CENTER BUMPER	2	12	FST100140	3/8" X 3/4" CAP SCREW	8
47	WLD400464	SINGLE ACTUATOR MOUNT WLDT	15	13	FST100141	3/8" X 1" CAP SCREW	8
48	WLD400471	ACTUATOR MOUNT WLDT DUAL	4	14	FST100151	1/2" FLAT WASHER HARDENED	260
49	WLD400472	ACTUATOR MOUNT WLDT REAR	2	15	FST100174	5/16" FLAT WASHER	26
50	WLD400499	ACTUATOR ADJUSTER I	2	16	FST100189	1/2" X 1" CAP SCREW	140
51	WLD400501	ACTUATOR ADJUSTER III	2	17	FST100190	1/2" X 1 1/4" CAP SCREW	68
52	WLD400502	ACTUATORS ADJUSTER II	2	18	FST100191	1/2" X 1 1/2" CAP SCREW	64
53	WLD400503	ACTUATOR ADJUSTER	4	19	FST100193	1/2" x 3" BOLT	6
54	WLD400504	ACTUATOR LOCATOR	2	20	FST100194	1/2" X 3 1/2" CAP SCREW	14
55	WLD400559	INNER ACTUATOR MOUNT WLDT	4	21	FST100197	1/2" X 6" CAP SCREW	4
56	WLD400561	WING SUPPORT WLDT	4	22	FST100206	3/8" LOCKNUT	12
57	WLD400565	CHANNEL MOUNT WLDT	4	23	FST100228	POP RIVET STEEL 3/16 X 1/2 X 5/8 HEAD	67
58	WLD400568	BUMPER MOUNT WLDT	4	24	FST100241	3/8" X 1 1/4" CAP SCREW	8
59	WLD400570	FRONT SUPPORT WLDT RH	1	25	FST100245	1" LOCKNUT	12
60	WLD400572	BUMPER WLDT OUTER	4	26	FST100253	1" X 4 1/2" CAP SCREW	4
61	WLD400576	SUPPORT CHANNEL WLDT	4	27	FST100262	1" HARDENED WASHER F436	24
62	WLD400578	FRONT SUPPORT WLDT LH	1	28	FST100284	1" X 6 1/2" CAP SCREW	4
63	WLD400586	ADJUSTABLE SUPPORT MOUNT	4	29	FST100323	1" x 5" CAP SCREW	4
64	WLD400587	SUPPORT BASE	2	30	FST100356	1/2" CRIMP NUT	129
				31	FST100404	3/4" WASHER HARDENED	8
				32	FST100405	3/4" CRIMP NUT	4
				33	FST100407	1/2" X 4 1/2" CAP SCREW	12
				34	FST100754	1/2" JAM NUT	8

FIXED STAIRS ASSEMBLY

ASM400229

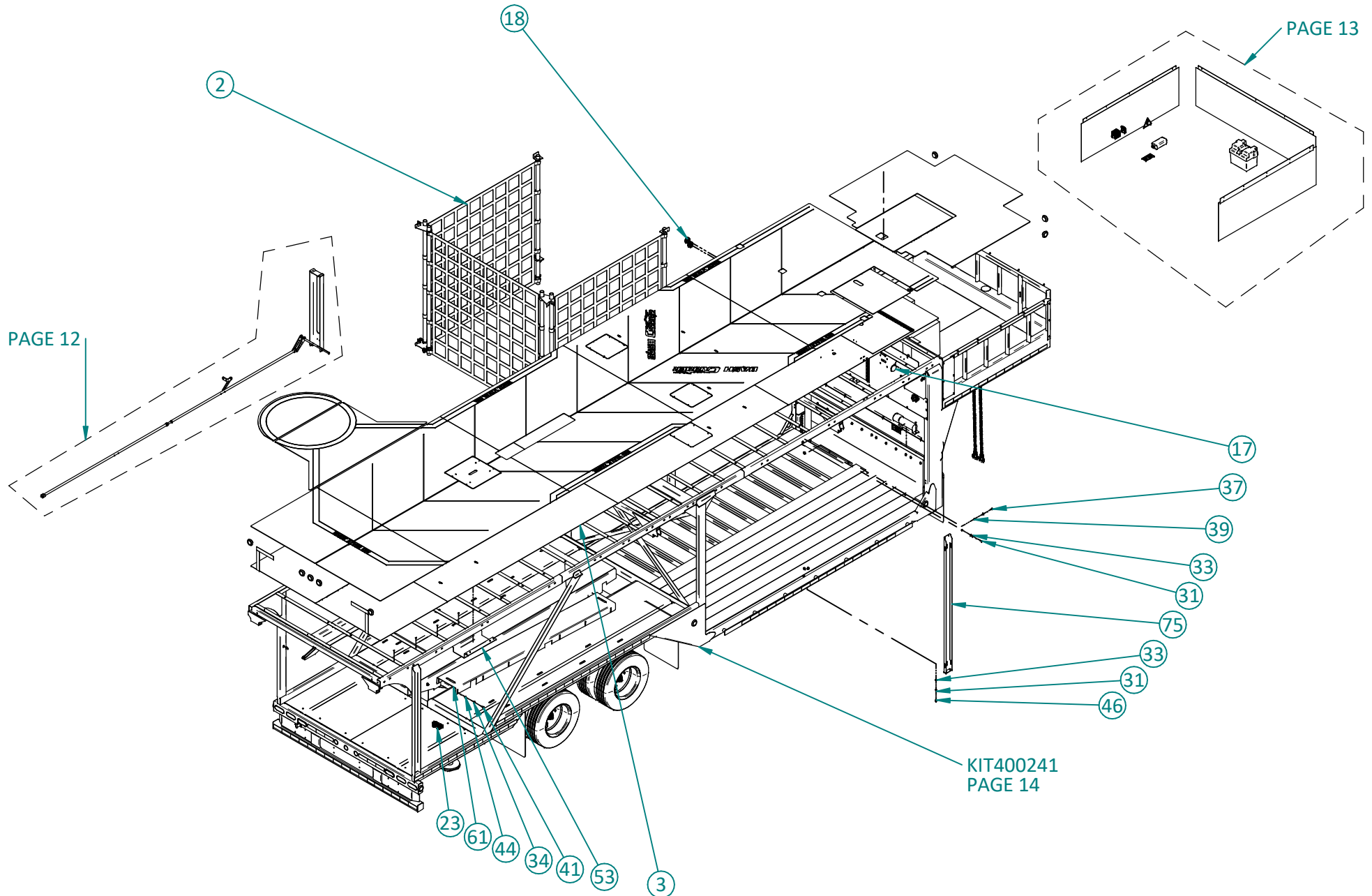
ITEM	PART NO.	DESCRIPTION	QTY
1	CMP401333	WING PLASTIC SLIDER	2
2	FST100141	3/8" X 1" CAP SCREW	4
3	FST100144	3/8" X 2 1/2" CAP SCREW	4
4	FST100150	3/8" FLAT WASHER	32
5	FST100174	5/16" FLAT WASHER	4
6	FST100199	3/8" x 1" CARRIAGE BOLT	16
7	FST100206	3/8" LOCKNUT	24
8	FST100281	3/8" X 1 3/4" BOLT	4
9	PCT401872	WING SUSPENDER	2
10	PCT401924	HAND RAIL BACKING PLATE	2
11	SAF400157	CARRIER TRAILER STEP DECAL	6
12	WLD400466	BOLT DOWN STAIRS WELDMENT	1
13	WLD400470	FIXED STAIRS RAILING	2



THIS PAGE INTENTIONALLY LEFT BLANK

FRAME ASSEMBLY

ASM400132



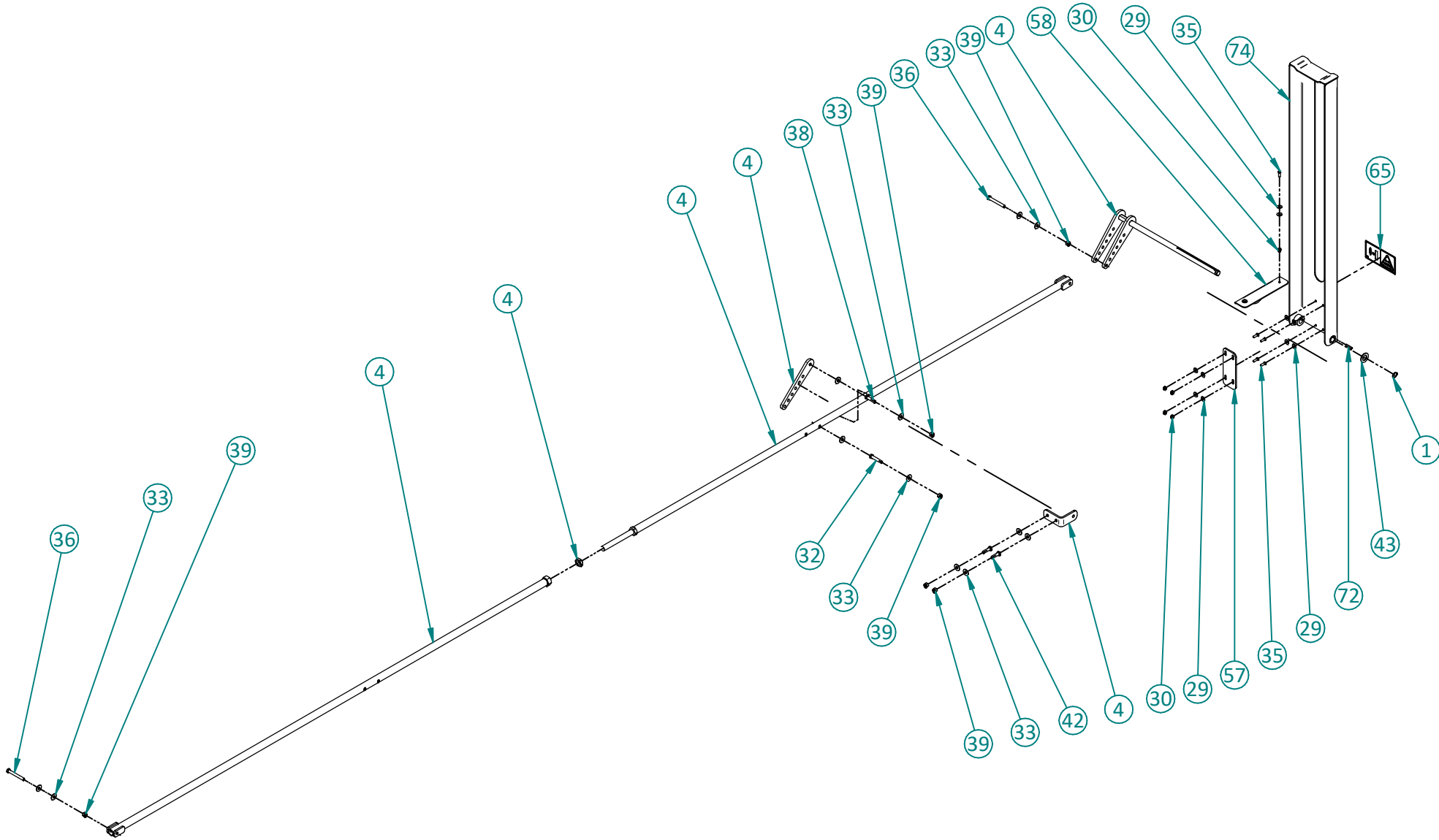
FRAME ASSEMBLY

ASM400132

ITEM	PART NO.	DESCRIPTION	QTY	ITEM	PART NO.	DESCRIPTION	QTY
40	FST100228	POP RIVET STEEL 3/16 X 1/2 X 5/8 HEAD	181	1	300338	SNAP RING EXTERNAL SS 0.75	1
41	FST100235	1/2" X 1 1/4" CARRIAGE BOLT	14	2	ASM400178	DRONE TRAILER CARGO NET	1
42	FST100241	3/8" X 1 1/4" CAP SCREW	2	3	ASM400218	DECKING ASSEMBLY	1
43	FST100304	3/4" FLAT WASHER	1	4	ASM400297	FLIP UP MECHANISM	1
44	FST100356	1/2" CRIMP NUT	14	5	CMP100313	MANUAL CANISTER	1
45	FST101059	1/4"-14 X 1" HEX HEAD SELF DRILLING SCREW	24	6	CMP400053	12V BATTERY	3
46	FST101077	3/8" RIVET NUT	4	7	CMP400058	BATTERY CASE	3
47	HYD101031	ST ADAPTER 04FJIC X 04 FJIC 7/16-20	6	8	CMP400955	RECESSED HANDLE	1
48	HYD101032	ST ADAPTER 04 CRIMP X 04 FJIC 1/4"	12	9	CMP401147	PIANO HINGE	1
49*	PCT401220	COMPARTMENT COVER SHEET	2	10*	CMP401180	CARRIER FOAM DECKING	1
50*	PCT401369	COMPARTMENT COVER SHEET	1	11	CMP401540	LEVELING SYSTEM GASKET	1
51	PCT401481	PERCH STORAGE COVER PANEL	1	12*	DOC400105	DOC400105	1
52	PCT401574	DOOR PANEL	1	13*	ELCI00792	14/2 COATED WIRE	65 FT
53	PCT401577	FLIGHT DECK RINSE CHANNEL BOLT DOWN	1	14	ELCI00938	PUSH BUTTON SWITCH SPST NO	1
54	PCT401743	HINGE SPACER	1	15	ELCI00943	DC CONTROL PANEL	1
55	PCT401789	MOUNTING BRACKET DC PANEL	2	16	ELCI00944	300A IP67 BATTERY DISCONNECT SWITCH	1
56	PCT401817	TOP MOUNTING TABS	6	17	ELCI00990	CONTROLLER ANTENNA	1
57	PCT401828	WING SUPPORT STOP	1	18	ELCI00991	.875-1.000 IN STRAIN RELIEF	8
58	PCT401843	SHAFT SUPPORT	1	19*	ELCI00992	AC PANEL FILLER	12
59	PCT401897	CORNER CAP	2	20*	ELCI00993	1" STRAIN RELIEF LOCKNUT	8
60	PCT401900	REAR COVER PLATE	2	21	ELCI00994	15A CIRCUIT BREAKER	6
61	PCT402094	CARRIER END SUMP SUPPORT	1	22*	ELCI00996	1-1/4" I SCREW CONNECTOR	4
62*	PCT402101	PADLOCK BRKT	1	23	ELCI00997	90-DEGREES 1 1/4" CONDUIT FITTING	2
63	PCT402472	DASH CARRIER FRAME SIDE TRIM	2	24	ELCI00998	10A SMART BATTERY CHARGER 6V/12V	1
64	PCT402473	DASH CARRIER FRAME FRONT TRIM	1	25*	ELCI00999	1" SCREW-DOWN STRAIN RELIEF	4
65	SAF100101	PINCH POINT HAZARD UNDER LIFT IN ACCUMULATOR	1	26*	ELCI01028	DASH CARRIER AC AND DC WIRING	1
66	SAF200104	READ SAFETY MANUAL	1		ELCI01036	DASH CARRIER LEFT HARNESS	1
67	SAF400143	LIGHT SWITCH DECAL	1	27*	ELCI01037	DASH CARRIER RIGHT HARNESS	1
68	SAF400146	DRONE CARRIER SWITCHES DECALS	1	28*	ELCI01039	FLEXCASE G CONTROLLER HARNESS	1
69	SAF400147	HIGH VOLTAGE DECAL	1	29	FST100134	1/4" FLAT WASHER	12
70	SAF400150	TRANSFER SWITCH DECALS	1	30	FST100135	1/4" LOCK NUT	6
71	SAF500016	HYDRAULIC SAFETY DECAL	1	31	FST100141	3/8" X 1" CAP SCREW	16
72	SAW400917	WING STOP SHAFT KEYSTOCK	2	32	FST100143	3/8" X 2" CAP SCREW	1
73	SAW401144	LATCH PLATE	1	33	FST100150	3/8" FLAT WASHER	40
74	WLD400355	WING CENTER SUPPORT	1	34	FST100151	1/2" FLAT WASHER HARDENED	14
75	WLD400456	INTERMEDIATE POST	2	35	FST100169	1/4" x 3/4" CAP SCREW	6
				36	FST100182	3/8" X 3" CAP SCREW	2
				37	FST100199	3/8" x 1" CARRIAGE BOLT	4
				38	FST100201	3/8" X 1 1/2" CAP SCREW	1
				39	FST100206	3/8" LOCKNUT	22

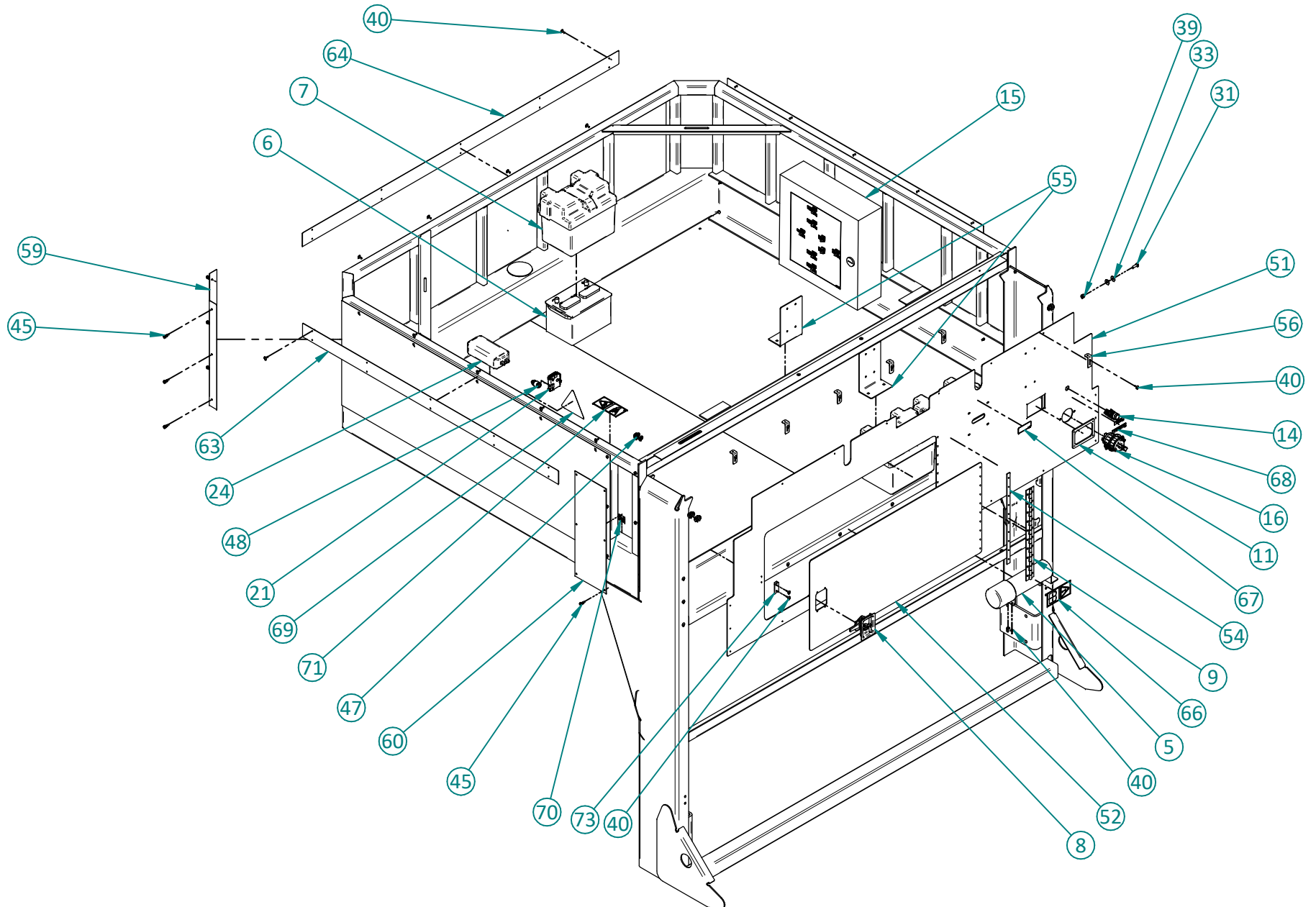
FRAME ASSEMBLY

ASM400132

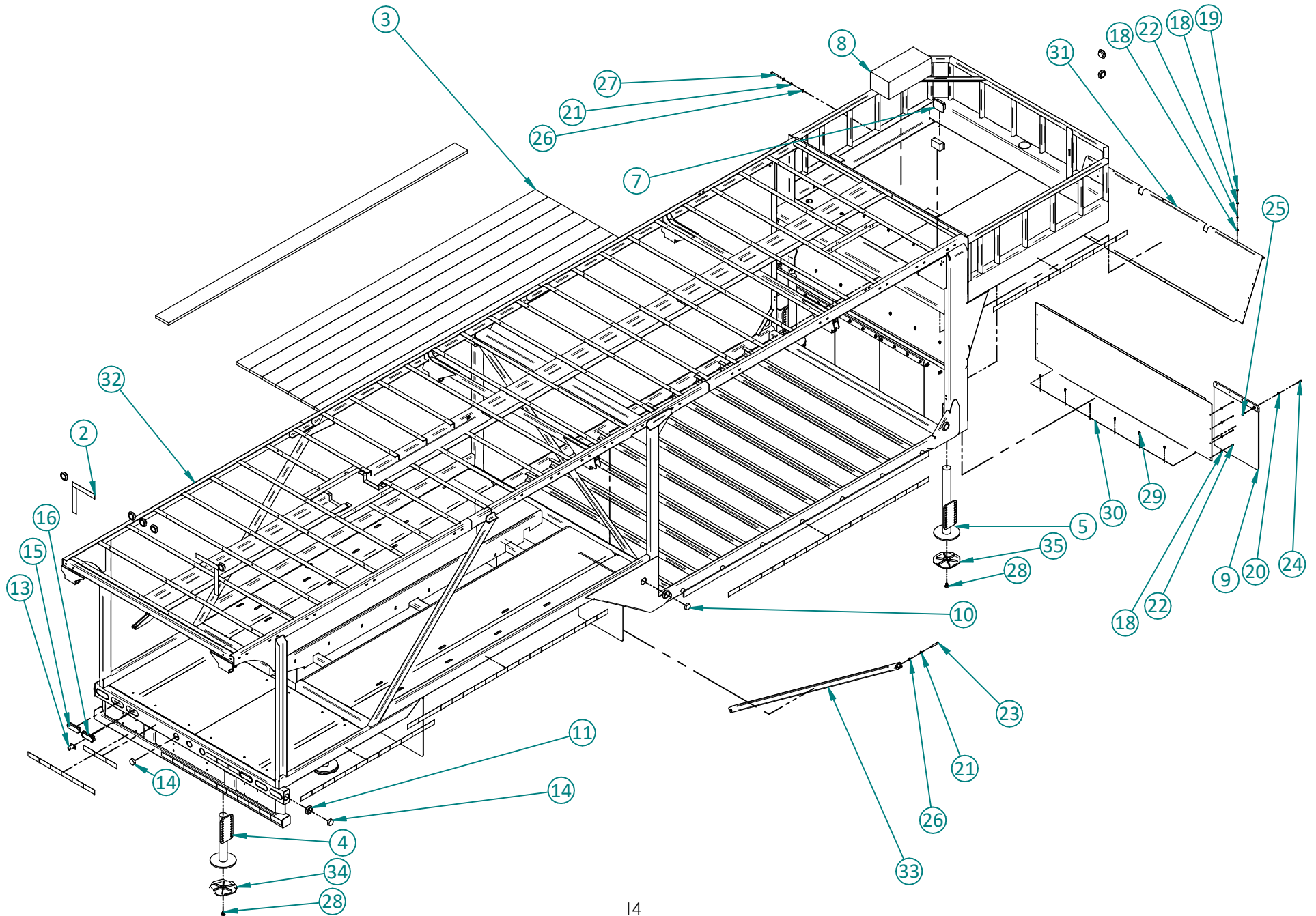


FRAME ASSEMBLY

ASM400132



DASH CARRIER TRAILER ASSEMBLY KIT400241

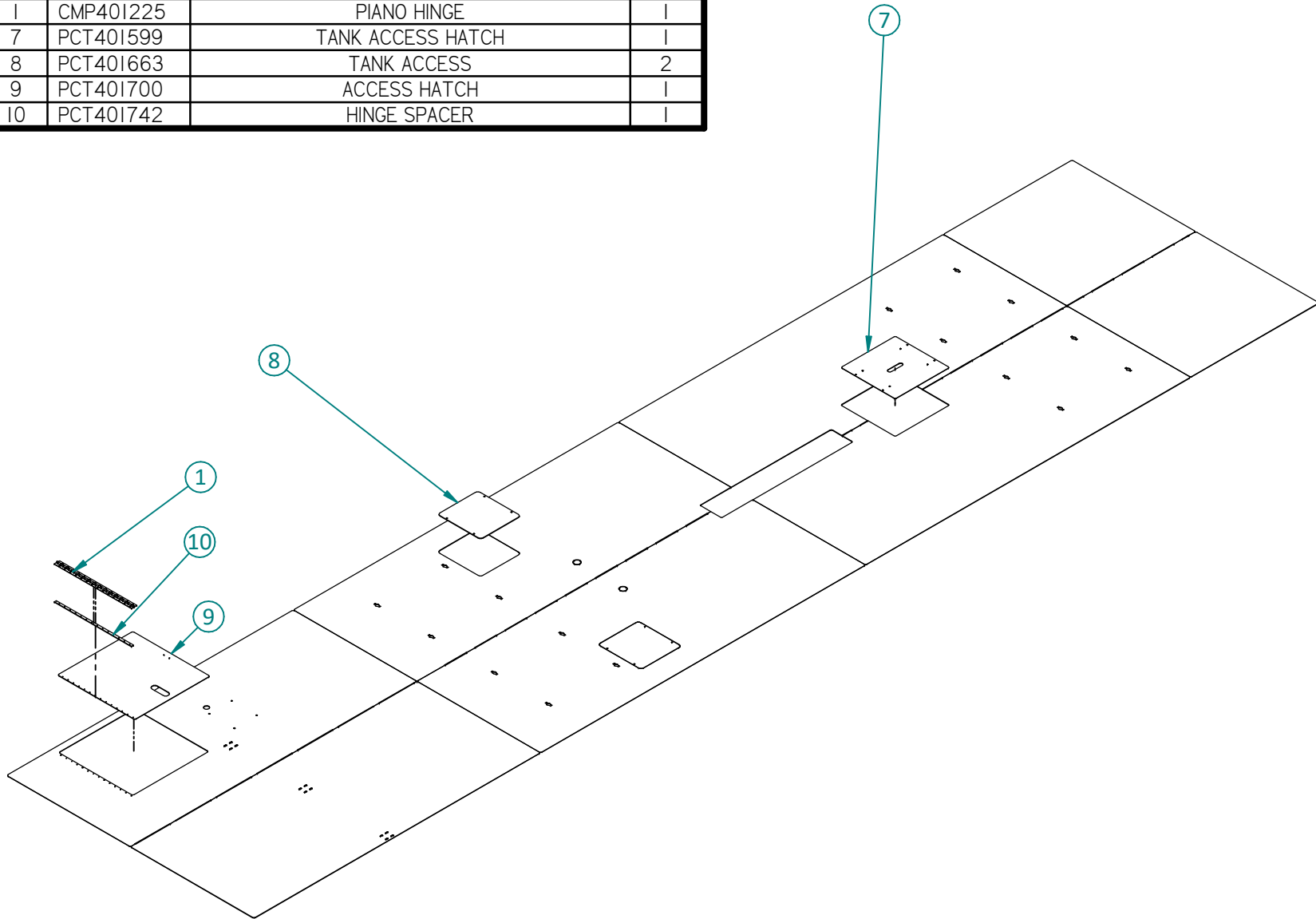


DASH CARRIER TRAILER ASSEMBLY**KIT400241**

ITEM	PART NO.	DESCRIPTION	QTY
1*	CMP100323	CONSPICUITY TAPE RED/WHITE 2" ROLL	71 FT
2	CMP101164	CONSPICUITY TAPE WHITE 2" X 12"	4
3	CMP400935	WOOD BOARD 1 1/8" X 7" SHIPLAP KEURING APITONG	182 FT
4	CMP401055	SL16S LEG ASSEMBLY	2
5	CMP401056	SL24S LEG ASSEMBLY	2
7	CMP401229	EQ LEVELING PANEL , CMP401227	1
8	CMP401289	LEVELING SYSTEM	1
9	CMP401453	MUD FLAP	8
10	ELC-100331	LIGHT, ROUND AMBER 13 LED 2 1/2"- 3C4	8
11	ELC-100332	LIGHT, OPEN GROMMET 2 1/2"- 3D2	15
12*	ELC100183	LIGHT, OVAL GROMMET 92420	4
13	ELC100534	LICENSE PLATE LAMP	1
14	ELC100797	LIGHT, ROUND RED 13 LED 2 1/2"- 3C4	10
15	ELC100827	LIGHT, LED OVAL RED LSTL72RB	4
16	ELC100828	LIGHT, OVAL LED AMBER LSTL72AB	2
17*	ELC100932	CARRIER LIGHT HARNESS	1
18	FST100134	1/4" FLAT WASHER	60
19	FST100135	1/4" LOCK NUT	30
20	FST100150	3/8" FLAT WASHER	64
21	FST100151	1/2" FLAT WASHER HARDENED	6
22	FST100156	1/4" X 1" CAP SCREW	30
23	FST100194	1/2" X 3 1/2" CAP SCREW	4
24	FST100201	3/8" X 1 1/2" CAP SCREW	32
25	FST100206	3/8" LOCKNUT	32
26	FST100356	1/2" CRIMP NUT	5
27	FST100407	1/2" X 4 1/2" CAP SCREW	1
28	FST101047	3/4" (10) X 1-1/4" BLACK-OXIDE ALLOY STEEL HEX DRIVE FLAT HEAD SCREW	4
29	FST101059	1/4"-14 X 1" HEX HEAD SELF DRILLING SCREW	6
30	PCT401811	FRONT DASH CARRIER COVER	1
31	PCT401813	TOP FRONT COVER DASH CARRIER	1
32	WLD400434	DASH CARRIER FRAME	1
33	WLD400436	TRAILER CROSS SUPPORT	2
34	WLD400507	LEVELLING FOOT	2
35	WLD400509	LEVELLING FOOT FRONT	2

DECKING ASSEMBLY ASM400218

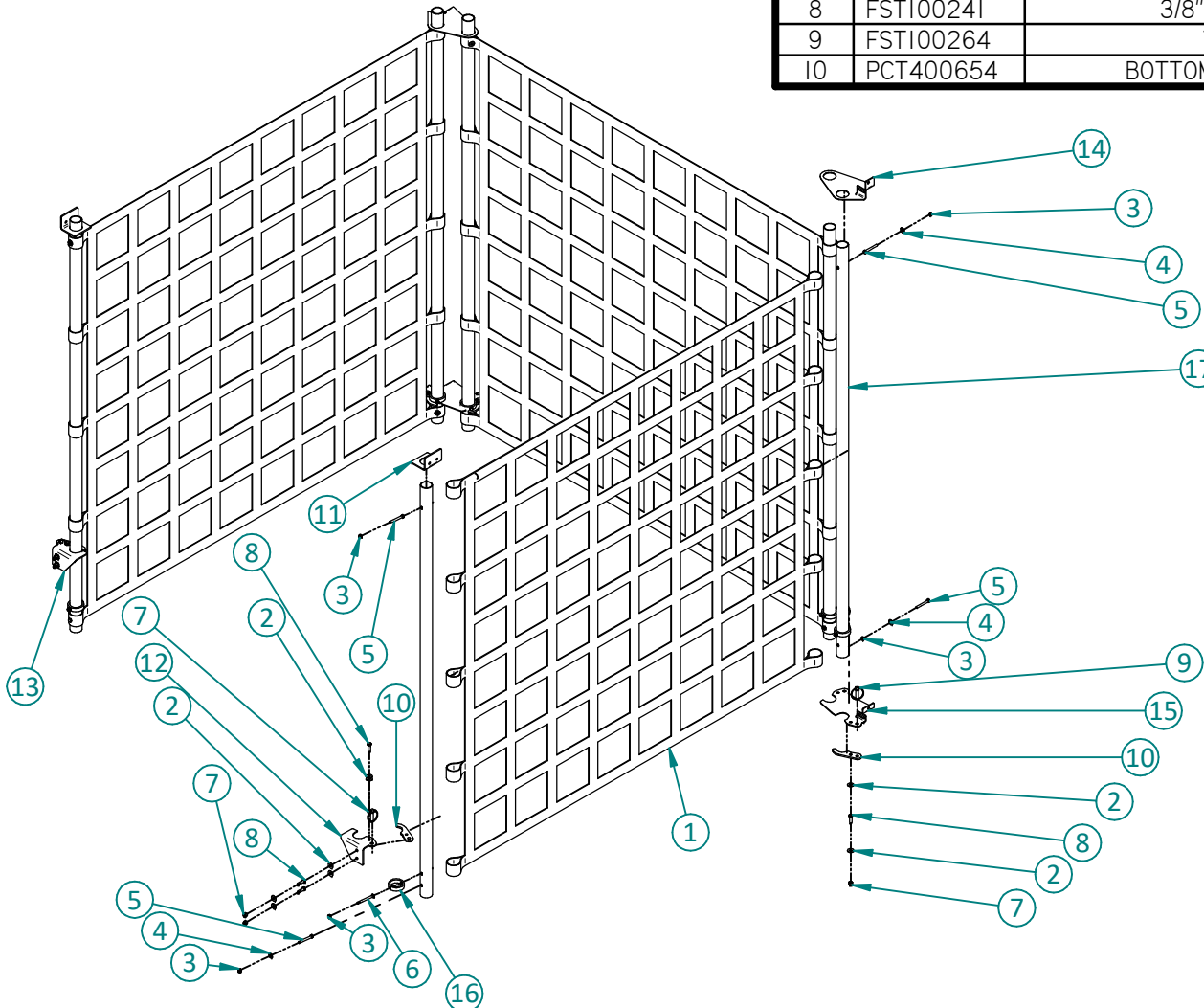
ITEM	PART NO.	DESCRIPTION	QTY
1	CMP401225	PIANO HINGE	1
7	PCT401599	TANK ACCESS HATCH	1
8	PCT401663	TANK ACCESS	2
9	PCT401700	ACCESS HATCH	1
10	PCT401742	HINGE SPACER	1



DRONE TRAILER CARGO NET

ASM400178

ITEM	PART NO.	DESCRIPTION	QTY	ITEM	PART NO.	DESCRIPTION	QTY
11	PCT401279	DRONE TRAILER TOP CONTAINMENT BRKT	2	1	CMP401020	DRONE TRAILER CARGO NET	3
12	PCT401282	DRONE TRAILER BOTTOM CONTAINMENT BRKT	1	2	FST100150	3/8" FLAT WASHER	20
13	PCT401283	DRONE TRAILER BOTTOM CONTAINMENT BRKT	1	3	FST100173	5/16" LOCK NUT	18
14	PCT401761	CARGO NET TOP CONNECTION	2	4	FST100174	5/16" FLAT WASHER	13
15	PCT401764	CARGO NET BOTTOM CONNECTOR BRKT	2	5	FST100179	5/16" X 2 1/2" CAP SCREW	12
16	SAW400427	STOP TUBE	6	6	FST100180	5/16" X 3" CAP SCREW	6
17	SAW400742	CARGO NET SHAFT	6	7	FST100206	3/8" LOCKNUT	10
				8	FST100241	3/8" X 1 1/4" CAP SCREW	10
				9	FST100264	7/16" LYNCH PIN	6
				10	PCT400654	BOTTOM CONTAINMENT LATCH	6

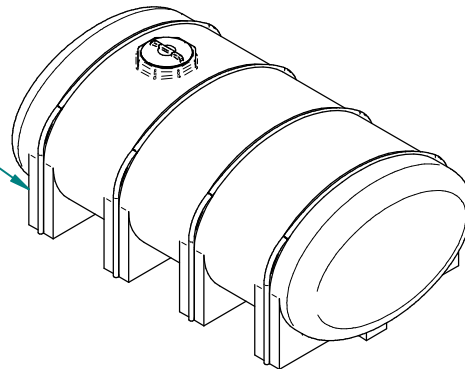


CHEMICAL SYSTEM ASSEMBLY

ASM400131

ITEM	PART NO.	DESCRIPTION	QTY
9*	CMP400104	3/4" INDUSTRIAL WATER HOSE	340 IN
10*	CMP400105	1 1/2" INDUSTRIAL WATER HOSE	96 IN
21	CMP400321	PP ELBOW 90 DEG 1/2" MNPT X 3/4" HB	1
42	CMP400747	PL VALVE BALL 1/2" FPTC X 1/2" FPTC	1
66	CMP401539	PP VALVE MICRO 3/4" HB X 3/4" HB	1
85*	HYD100800	1" INDUSTRIAL WATER HOSE	150 IN
86*	HYD100978	1/2 AIR BRAKE HOSE	425 IN
87*	HYD101000	HOSE EPDM SUCTION 2" GREY	380 IN

KIT400168
KIT400169
KIT400170
CHOOSE ONE



KIT400135

PAGE 22

KIT400194
KIT400195
KIT400196
CHOOSE ONE

PAGE 21

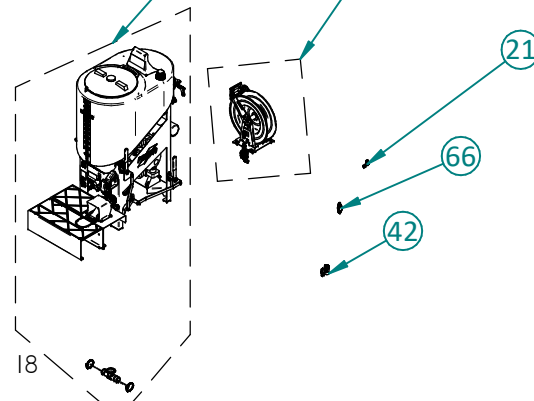
PAGE 23

PAGE 24

PAGE 25

PAGE 20

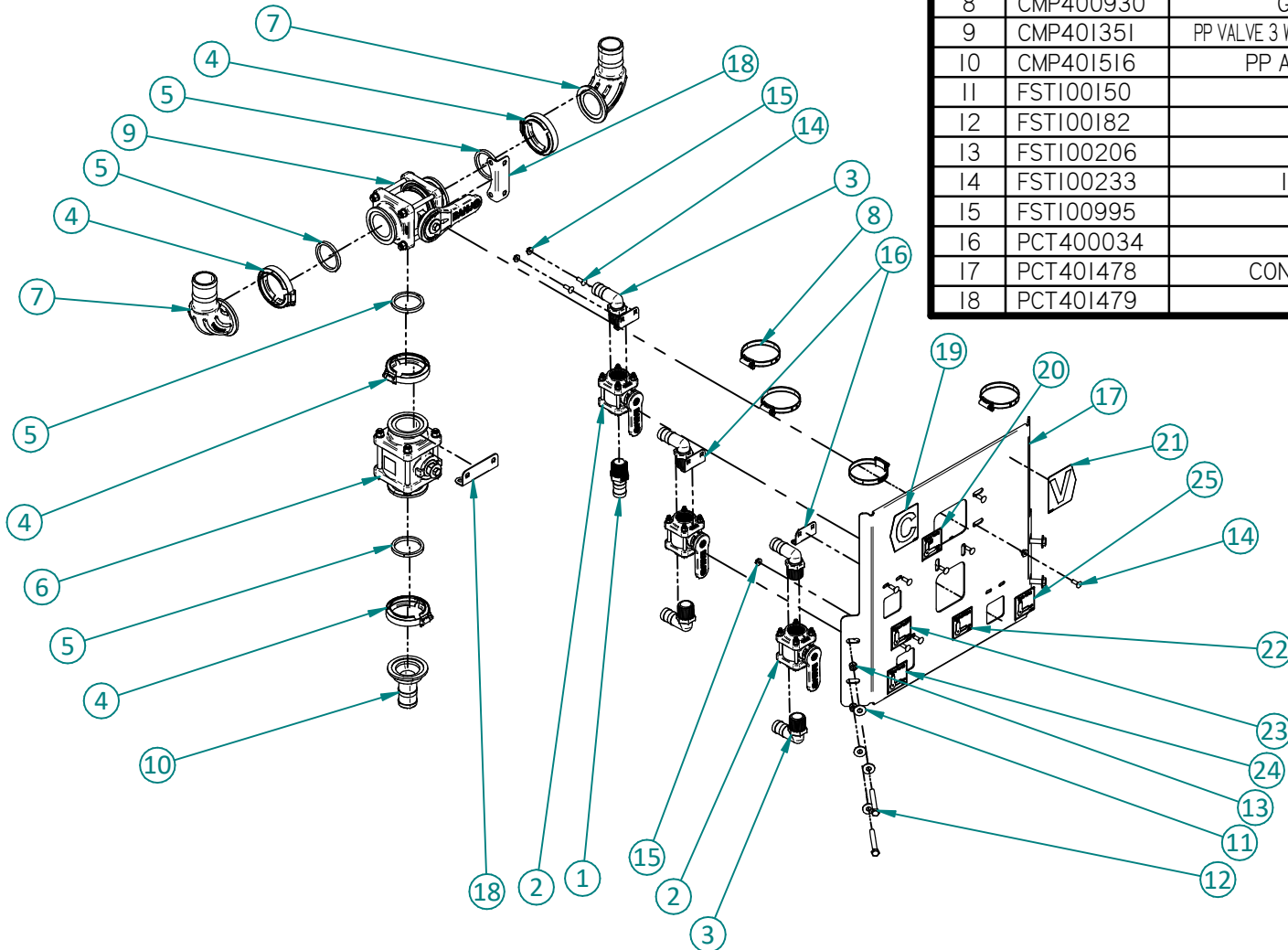
PAGE 19



CHEMICAL SYSTEM ASSEMBLY

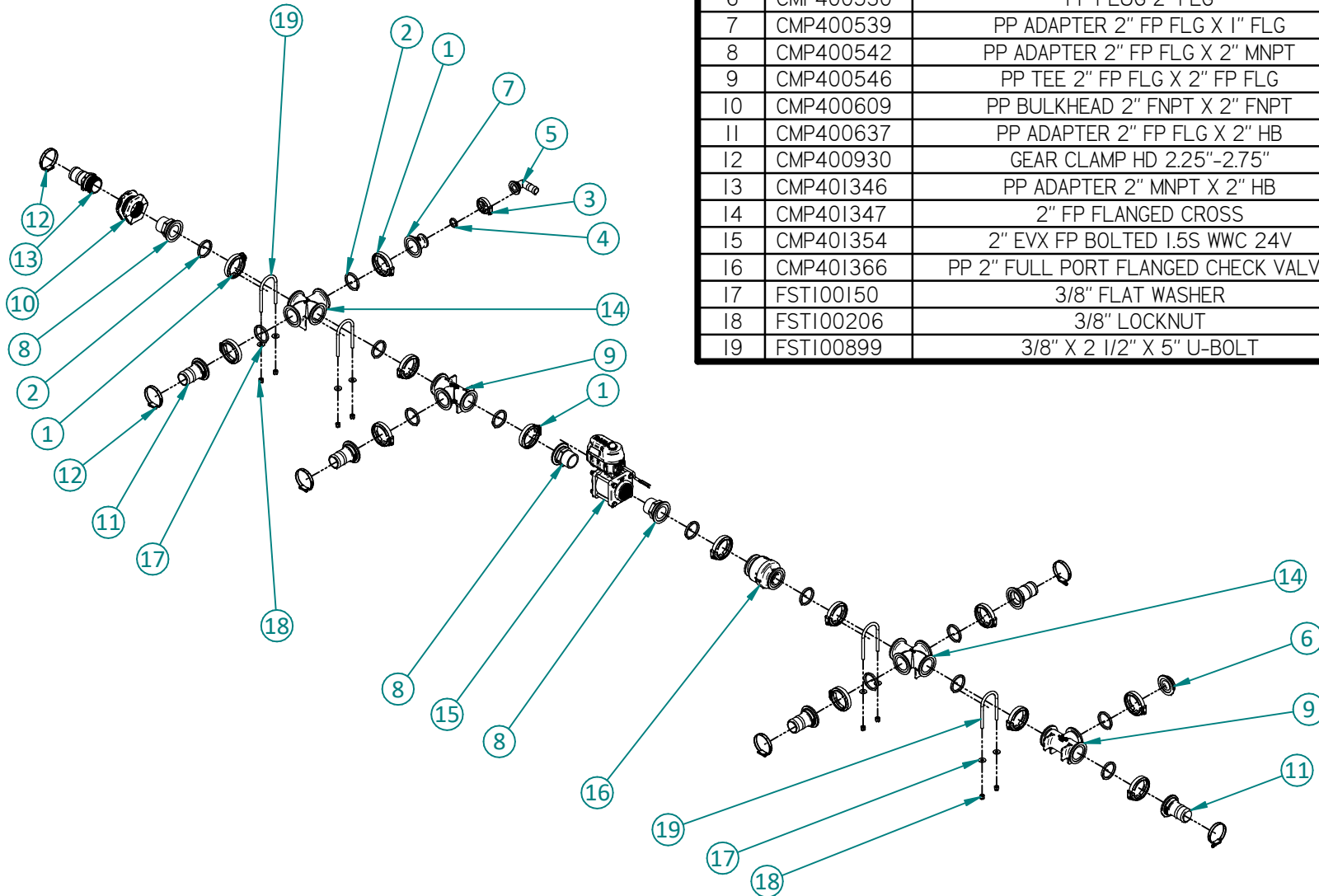
ASM400131

ITEM	PART NO.	DESCRIPTION	QTY	ITEM	PART NO.	DESCRIPTION	QTY
19	SAF400151	C BATCH TANK DECAL	1	1	CMP400028	PP ADAPTER 1" MNPT X 1" HB	1
20	SAF400152	BATCH TANKS DECAL	1	2	CMP400029	PP VALVE BALL 1" FNPT X 1" FNPT	3
21	SAF400153	V BATCH TANK DECAL	1	3	CMP400037	PP ELBOW 90 DEG 1" MNPT X 1" HB	5
22	SAF400156	SHUT OFF VALVE DECAL	1	4	CMP400134	SS CLAMP 2" FP FLG	4
23	SAF400158	RINER HEAD TANK V DECAL	1	5	CMP400136	EPDM GASKET 2" FP FLG	4
24	SAF400159	RINSER HEAD TANK C DECAL	1	6	CMP400839	2" FULL PORT MANIFOLD VALVE	1
25	SAF400160	DRAIN VALVE DECAL	1	7	CMP400927	PP SWEEP 90 DEG 2" FP FLG X 2" HB	2
				8	CMP400930	GEAR CLAMP HD 2.25"-2.75"	4
				9	CMP401351	PP VALVE 3 WAY SIDE LOAD FULL PORT 2" FP FLG X 2" FP FLG	1
				10	CMP401516	PP ADAPTER 2" FP FLG X 1-1/2" HB	1
				11	FST100150	3/8" FLAT WASHER	8
				12	FST100182	3/8" X 3" CAP SCREW	4
				13	FST100206	3/8" LOCKNUT	4
				14	FST100233	1/4" X 3/4" CARRIAGE BOLT	10
				15	FST100995	1/4" FLANGE NUT 316-SS	10
				16	PCT400034	VALVE MOUNT BRKT	3
				17	PCT401478	CONTROL VALVE MOUNTING BRKT	1
				18	PCT401479	VALVE MOUNT BRKT 2"	2



CHEMICAL SYSTEM ASSEMBLY

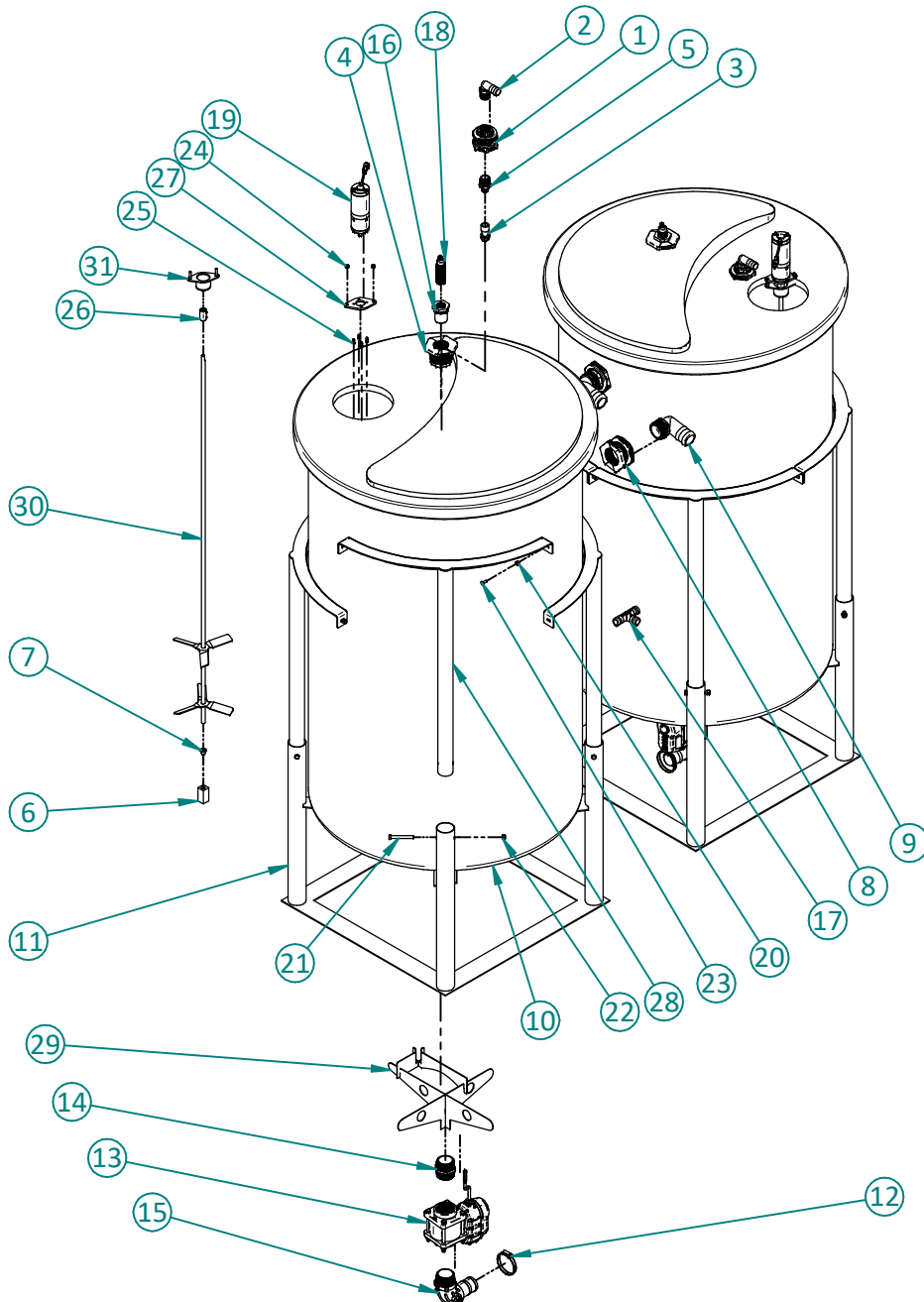
ASM400131



ITEM	PART NO.	DESCRIPTION	QTY
1	CMP400134	SS CLAMP 2" FP FLG	13
2	CMP400136	EPDM GASKET 2" FP FLG	13
3	CMP400213	SS CLAMP 1" FLG	1
4	CMP400214	EPDM GASKET 1" FLG	1
5	CMP400487	PP ELBOW 90 DEG 1" FLG X 1" HB	1
6	CMP400530	PP PLUG 2" FLG	1
7	CMP400539	PP ADAPTER 2" FP FLG X 1" FLG	1
8	CMP400542	PP ADAPTER 2" FP FLG X 2" MNPT	3
9	CMP400546	PP TEE 2" FP FLG X 2" FP FLG	2
10	CMP400609	PP BULKHEAD 2" FNPT X 2" FNPT	1
11	CMP400637	PP ADAPTER 2" FP FLG X 2" HB	5
12	CMP400930	GEAR CLAMP HD 2.25"-2.75"	6
13	CMP401346	PP ADAPTER 2" MNPT X 2" HB	1
14	CMP401347	2" FP FLANGED CROSS	2
15	CMP401354	2" EVX FP BOLTED 1.5S WWC 24V	1
16	CMP401366	PP 2" FULL PORT FLANGED CHECK VALVE	1
17	FST100150	3/8" FLAT WASHER	8
18	FST100206	3/8" LOCKNUT	8
19	FST100899	3/8" X 2 1/2" X 5" U-BOLT	4

CHEMICAL SYSTEM ASSEMBLY

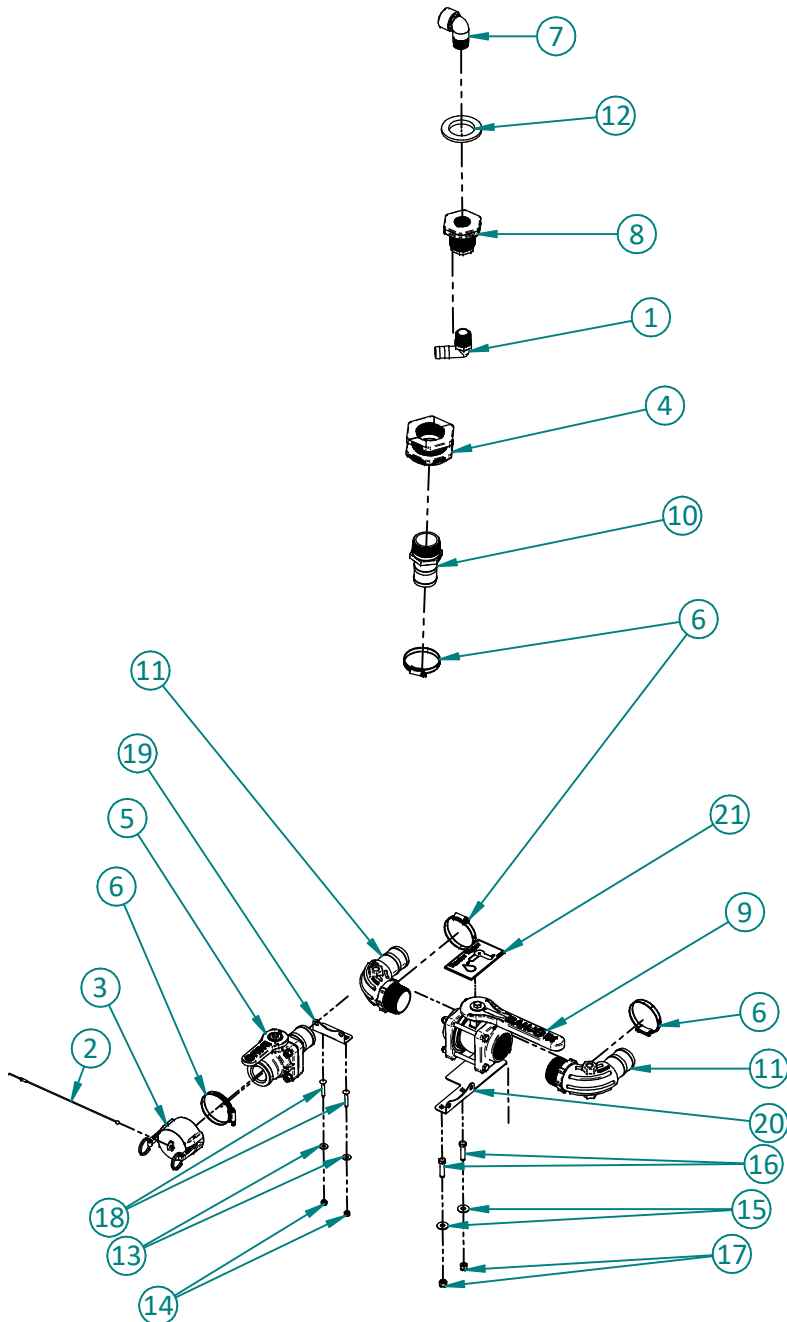
ASM400131



ITEM	PART NO.	DESCRIPTION	QTY
1	CMP400023	PP BULKHEAD 1" FNPT X 1" FNPT	2
2	CMP400037	PP ELBOW 90 DEG 1" MNPT X 1" HB	2
3	CMP400061	RINSING NOZZLE	2
4	CMP400126	PP BULKHEAD 1 1/2" FNPT X 1 1/2" FNPT	2
5	CMP400504	PP ADAPTER 1" MNPT X 1/2" MNPT	2
6	CMP400591	AGITATE SPACER BUSHING	2
7	CMP400592	FLANGE BUSHING 0.500" X 0.594" X 0.500"	2
8	CMP400609	PP BULKHEAD 2" FNPT X 2" FNPT	2
9	CMP400611	PP ELBOW 90 DEG 2" MNPT X 2" HB	2
10	CMP400874	250 GAL TANK OC0250-36	2
11	CMP400885	STAND FOR 250GAL CONE BOTTOM TANK	2
12	CMP400930	GEAR CLAMP HD 2.25"-2.75"	2
13	CMP401354	2" EVX FP BOLTED 1.5S WVC 24V	2
14	CMP401355	PP ADAPTER SHORT 2" MNPT X 2" MNPT	2
15	CMP401364	PP SWEEP 2" MNPT X 2" HB ELBOW	2
16	CMP401378	LEVEL SENSOR ADAPTER	2
17	CMP401476	PP TEE 1" HB X 1" HB	2
18	ELCI00927	ULTRASONIC SENSOR	2
19	ELCI00934	DC MOTOR	2
20	FST100135	1/4" LOCK NUT	8
21	FST100182	3/8" X 3" CAP SCREW	8
22	FST100206	3/8" LOCKNUT	8
23	FST100233	1/4" X 3/4" CARRIAGE BOLT	8
24	FST100926	1/4" LOCK NUT SS	4
25	FST101045	M5-0.8 14 MM FLAT HEAD SCREW SS	8
26	MAC400015	SHAFT COUPLING	2
27	PCT401847	AGITATE MOTOR CONN PLATE	2
28	WLD400390	BELT AND TUBE EXTENSION	8
29	WLD400487	ANTIVORTEX WELDT	2
30	WLD400488	AGITATE SHAFT WELDT	2
31	WLD400489	SHAFT SEAL WELDT	2

CHEMICAL SYSTEM ASSEMBLY

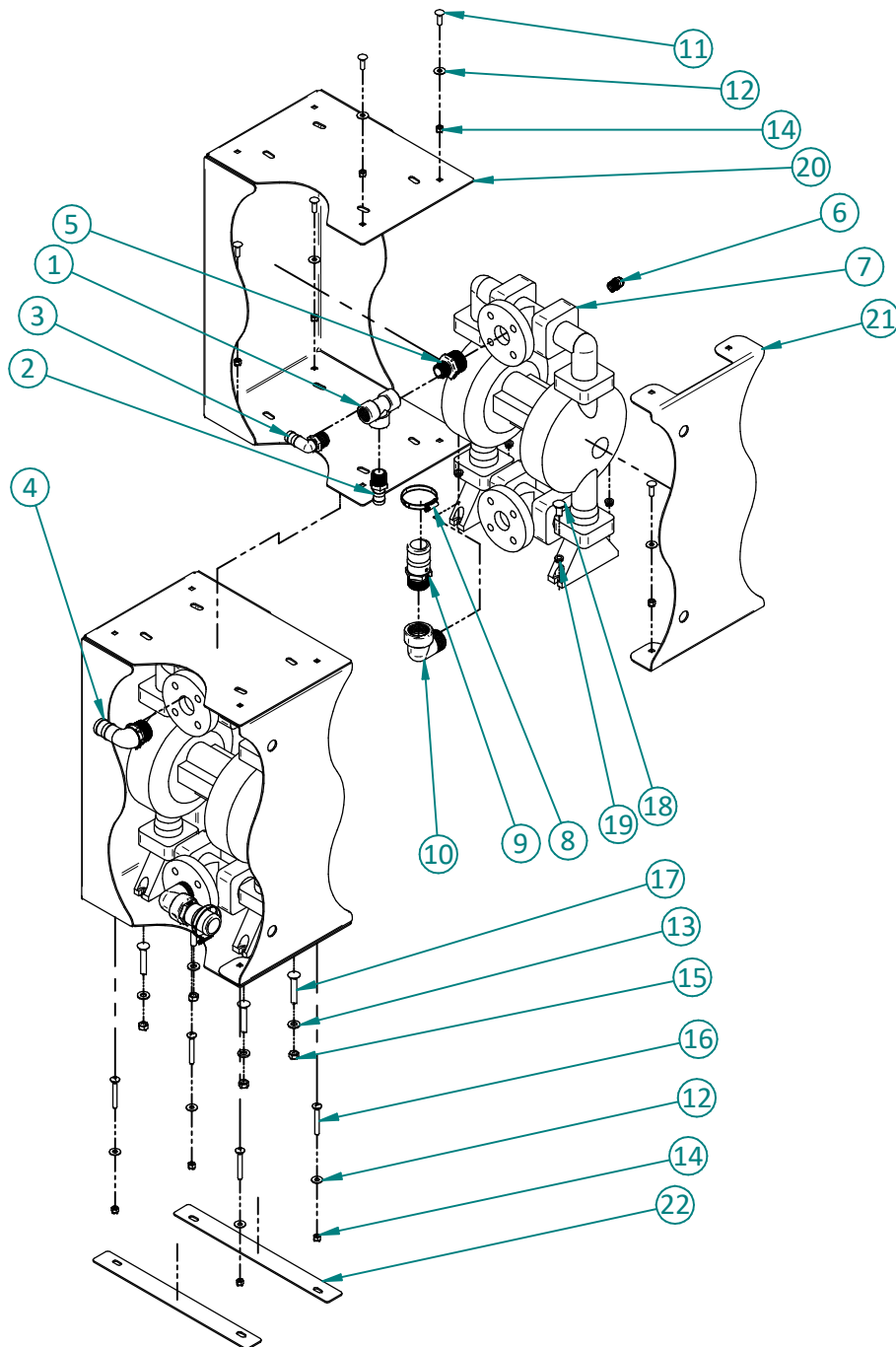
ASM400131



ITEM	PART NO.	DESCRIPTION	QTY
1	CMP400037	PP ELBOW 90 DEG 1" MNPT X 1" HB	1
2	CMP400543	11" QDC LANYARD	1
3	CMP400569	PP CAP 2" FQDC	1
4	CMP400609	PP BULKHEAD 2" FNPT X 2" FNPT	1
5	CMP400612	PP VALVE BALL 2" MQDC X 2" HB	1
6	CMP400930	GEAR CLAMP HD 2.25"-2.75"	4
7	CMP401343	SS ELBOW 90 DEG 1" MNPT X 1" FNPT	1
8	CMP401344	SS BULKHEAD 1" MPT X 1" MPT	1
9	CMP401345	PP VALVE FULL PORT 2" FNPT X 2" FNPT	1
10	CMP401346	PP ADAPTER 2" MNPT X 2" HB	1
11	CMP401364	PP SWEEP 2" MNPT X 2" HB ELBOW	2
12	CMP401374	TPU GASKET FOR 1" BULKHEAD	1
13	FST100134	1/4" FLAT WASHER	2
14	FST100135	1/4" LOCK NUT	2
15	FST100150	3/8" FLAT WASHER	2
16	FST100201	3/8" X 1 1/2" CAP SCREW	2
17	FST100206	3/8" LOCKNUT	2
18	FST100448	1/4" X 1 1/2" CARRIAGE BOLT	2
19	PCT400759	VALVE TOP CONN BRKT	1
20	PCT401947	VALVE MOUNT BRKT 2" W/H DECAL	1
21	SAF400164	MASTER WATER DECAL CARRIER	1

CHEMICAL SYSTEM ASSEMBLY

ASM400131

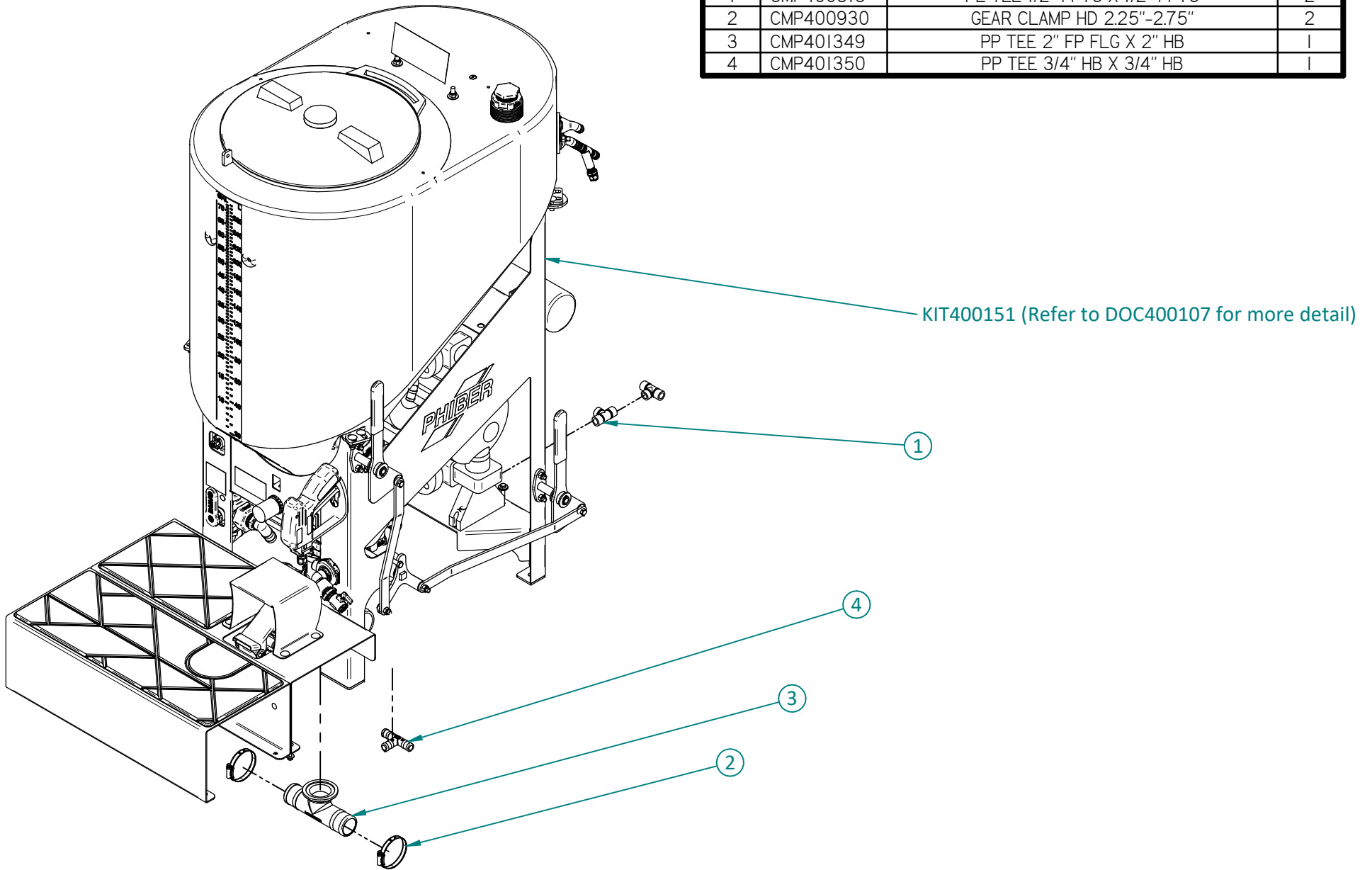


ITEM	PART NO.	DESCRIPTION	QTY
1	CMP400025	PP TEE 1" FNPT X 1" FNPT	1
2	CMP400028	PP ADAPTER 1" MNPT X 1" HB	1
3	CMP400037	PP ELBOW 90 DEG 1" MNPT X 1" HB	1
4	CMP400474	PP ELBOW 90 DEG 1 1/2" MNPT X 1 1/2" HB	1
5	CMP400490	PP ADAPTER 1 1/2" MNPT X 1" MNPT	1
6	CMP400512	PL ADAPTER 1/2" MNPT X 1/2" FPTC	2
7	CMP400686	1 1/2" AIR DIAPHRAGM PUMP RD-P-40PPTT	2
8	CMP400930	GEAR CLAMP HD 2.25"-2.75"	2
9	CMP401352	PP ADAPTER 1 1/2" MNPT X 2" HB	2
10	CMP401353	PP ELBOW 90 DEG 1 1/2" MNPT X 1 1/2" FNPT	2
11	FST100146	3/8" x 1 1/4" CARRIAGE BOLT	6
12	FST100150	3/8" FLAT WASHER	10
13	FST100151	1/2" FLAT WASHER HARDENED	4
14	FST100206	3/8" LOCKNUT	10
15	FST100356	1/2" CRIMP NUT	4
16	FST100896	3/8 X 3 CARRIAGE BOLT	4
17	FST100989	1/2" X 3" CARRIAGE BOLT	4
18	FST101015	1/2" X 1 1/4" CARRIAGE BOLT 316-SS	4
19	FST101016	1/2" SERRATED FLANGE NUT 316-SS	4
20	PCT400911	BRACKET FOR STACKING 1-1/2" AIR DIAPHRAGM	2
21	PCT400912	COVER BRKT FOR 1-1/2" DIAPHRAGM PUMP	2
22	PCT401480	DECK BACKING PLATE	2

CHEMICAL SYSTEM ASSEMBLY

ASM400131

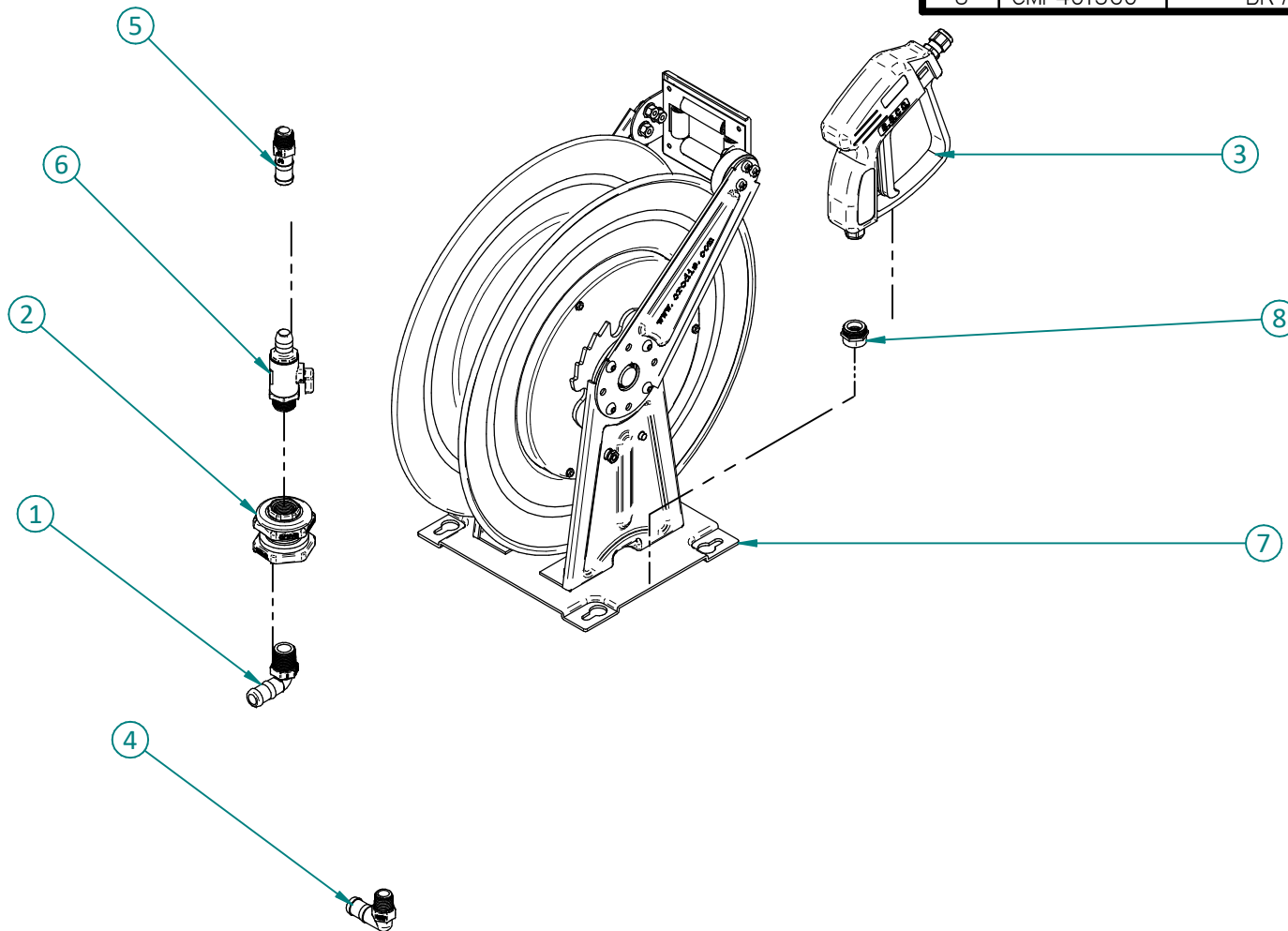
ITEM	PART NO.	DESCRIPTION	QTY
1	CMP400513	PL TEE 1/2" FPTC X 1/2" FPTC	2
2	CMP400930	GEAR CLAMP HD 2.25"-2.75"	2
3	CMP401349	PP TEE 2" FP FLG X 2" HB	1
4	CMP401350	PP TEE 3/4" HB X 3/4" HB	1



CHEMICAL SYSTEM ASSEMBLY

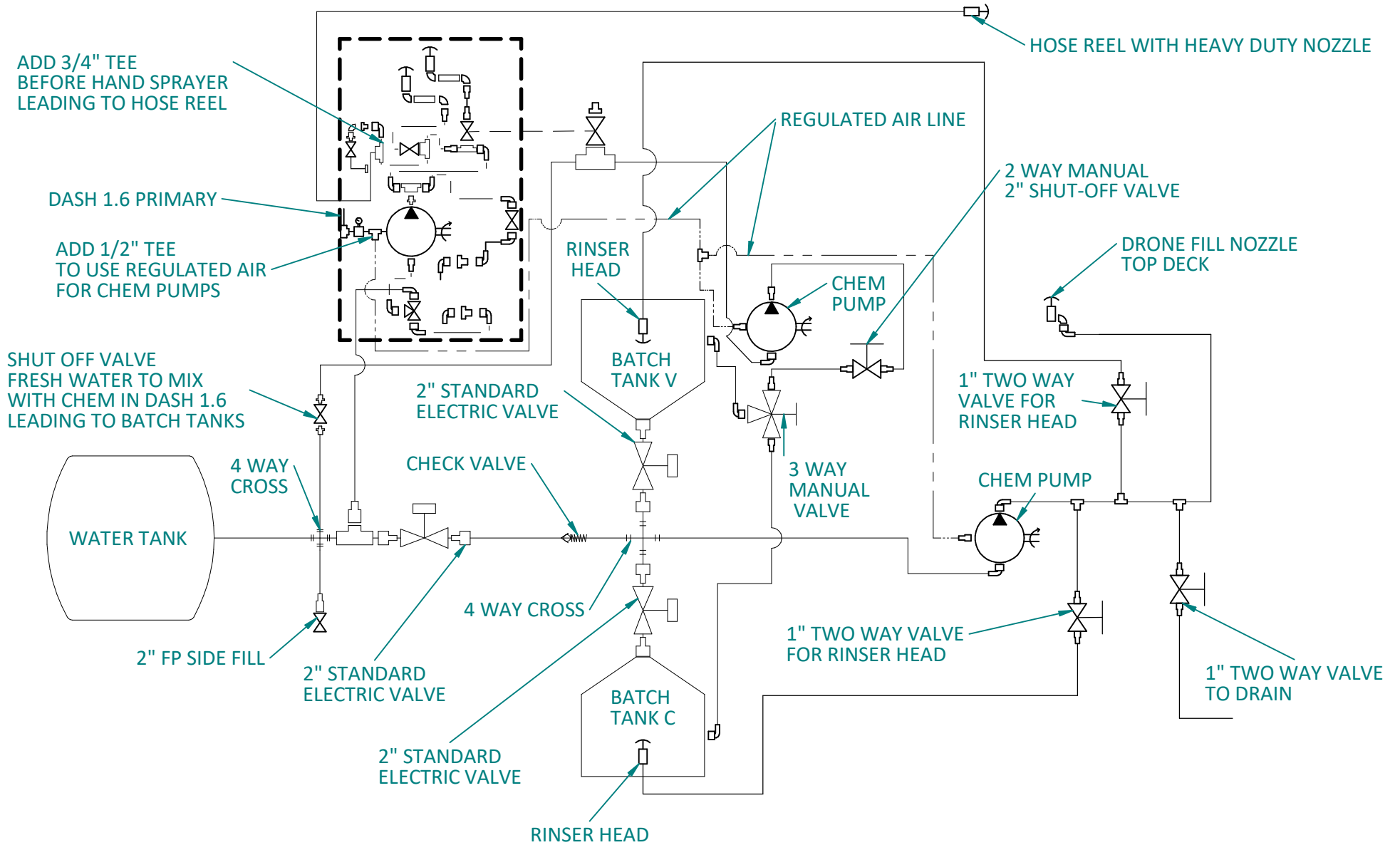
ASM400131

ITEM	PART NO.	DESCRIPTION	QTY
1	CMP400141	PP ELBOW 90 DEG 3/4" MNPT X 3/4" HB	1
2	CMP400145	PP BULKHEAD 3/4" FNPT X 3/4" FNPT	1
3	CMP400162	HEAVY DUTY TRIGGER GUARD NOZZLE	1
4	CMP400321	PP ELBOW 90 DEG 1/2" MNPT X 3/4" HB	1
5	CMP400322	PP ADAPTER 1/2" MNPT X 3/4" HB	1
6	CMP400658	PP VALVE MICRO 3/4" MNPT X 3/4" HB	1
7	CMP401338	WATER HOSE REEL W/H 50FT HOSE	1
8	CMP401360	BR ADAPTER 3/4" GHT X 1/2" FNPT	1



CHEMICAL SYSTEM ASSEMBLY

ASM400131

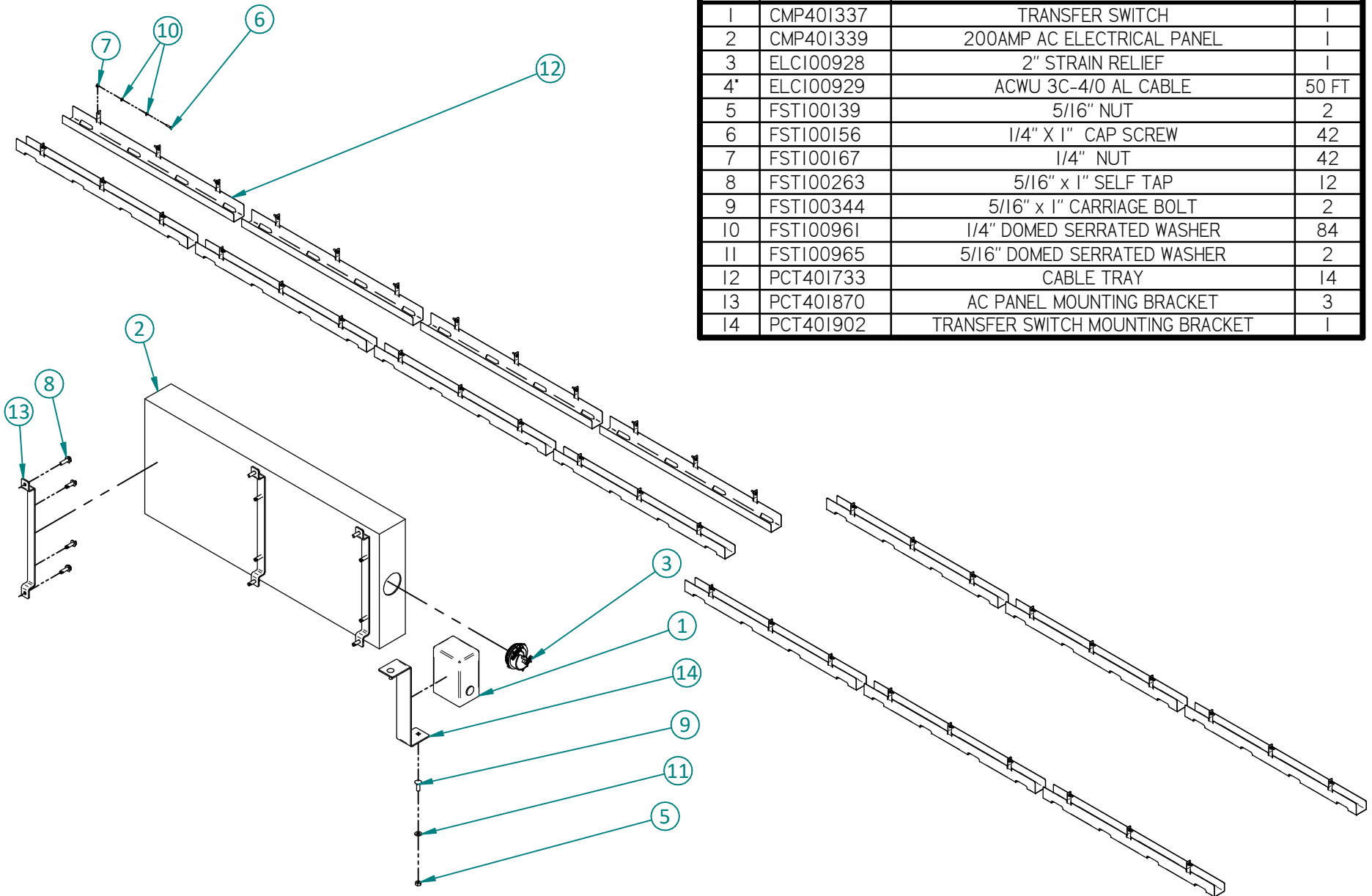


THIS PAGE INTENTIONALLY LEFT BLANK

200 AMP ELECTRICAL SYSTEM

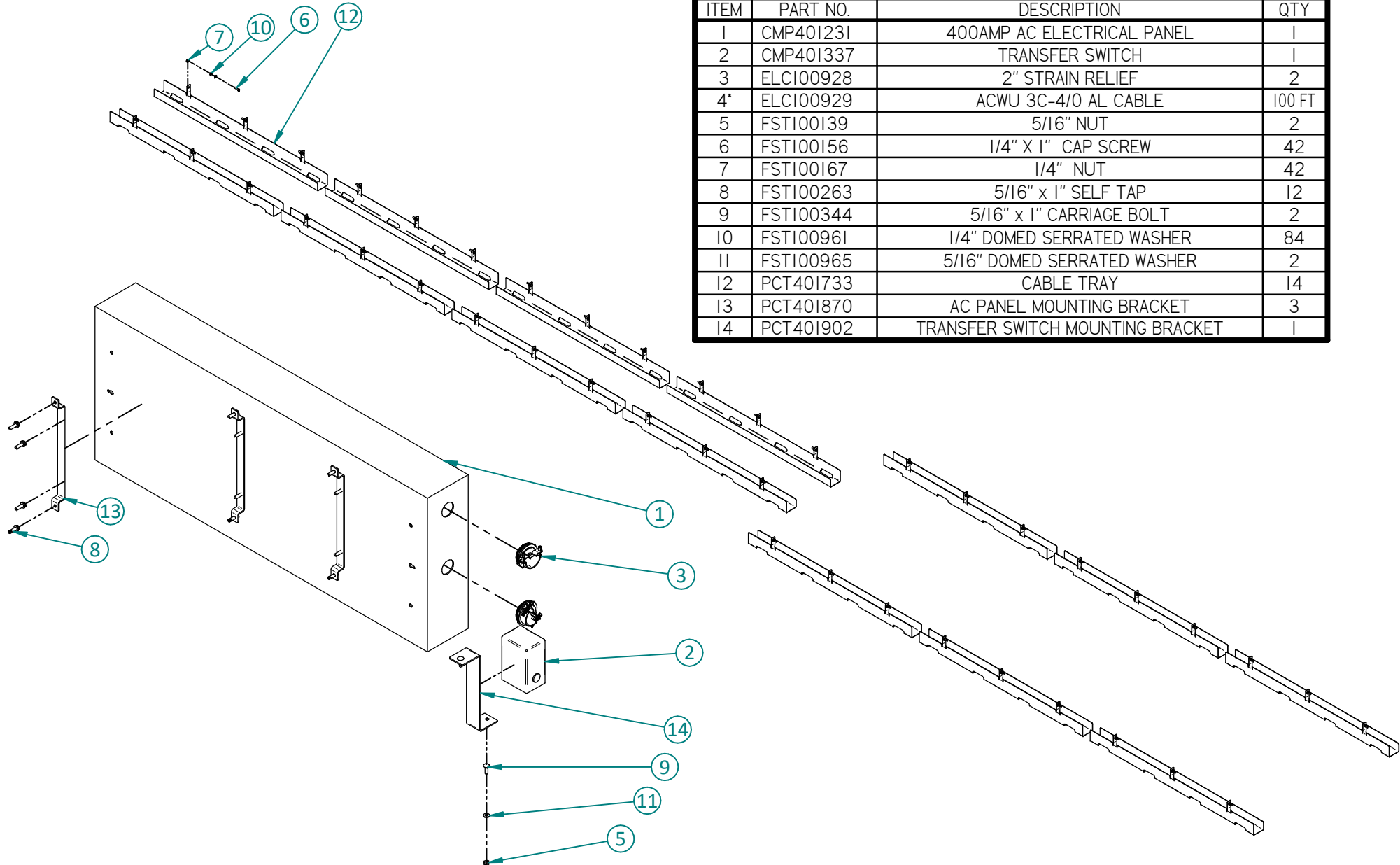
KIT400187

ITEM	PART NO.	DESCRIPTION	QTY
1	CMP401337	TRANSFER SWITCH	1
2	CMP401339	200AMP AC ELECTRICAL PANEL	1
3	ELCI00928	2" STRAIN RELIEF	1
4*	ELCI00929	ACWU 3C-4/0 AL CABLE	50 FT
5	FSTI00139	5/16" NUT	2
6	FSTI00156	1/4" X 1" CAP SCREW	42
7	FSTI00167	1/4" NUT	42
8	FSTI00263	5/16" x 1" SELF TAP	12
9	FSTI00344	5/16" x 1" CARRIAGE BOLT	2
10	FSTI00961	1/4" DOMED SERRATED WASHER	84
11	FSTI00965	5/16" DOMED SERRATED WASHER	2
12	PCT401733	CABLE TRAY	14
13	PCT401870	AC PANEL MOUNTING BRACKET	3
14	PCT401902	TRANSFER SWITCH MOUNTING BRACKET	1



400 AMP ELECTRICAL SYSTEM

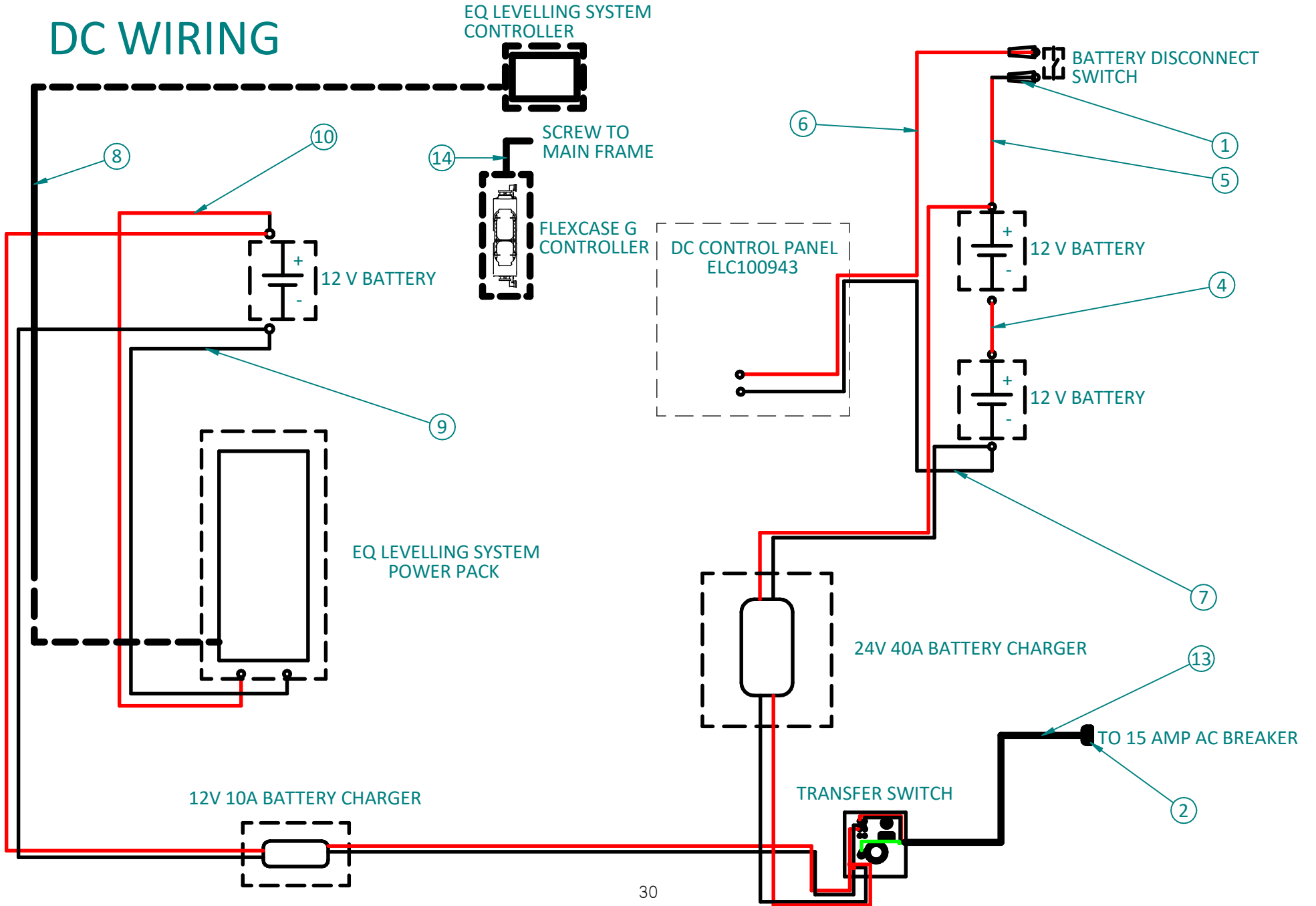
KIT400188



ITEM	PART NO.	DESCRIPTION	QTY
1	CMP401231	400AMP AC ELECTRICAL PANEL	1
2	CMP401337	TRANSFER SWITCH	1
3	ELCI00928	2" STRAIN RELIEF	2
4*	ELCI00929	ACWU 3C-4/0 AL CABLE	100 FT
5	FSTI00139	5/16" NUT	2
6	FSTI00156	1/4" X 1" CAP SCREW	42
7	FSTI00167	1/4" NUT	42
8	FSTI00263	5/16" X 1" SELF TAP	12
9	FSTI00344	5/16" X 1" CARRIAGE BOLT	2
10	FSTI00961	1/4" DOMED SERRATED WASHER	84
11	FSTI00965	5/16" DOMED SERRATED WASHER	2
12	PCT401733	CABLE TRAY	14
13	PCT401870	AC PANEL MOUNTING BRACKET	3
14	PCT401902	TRANSFER SWITCH MOUNTING BRACKET	1

DASH CARRIER AC AND DC WIRING ELC101028

DC WIRING

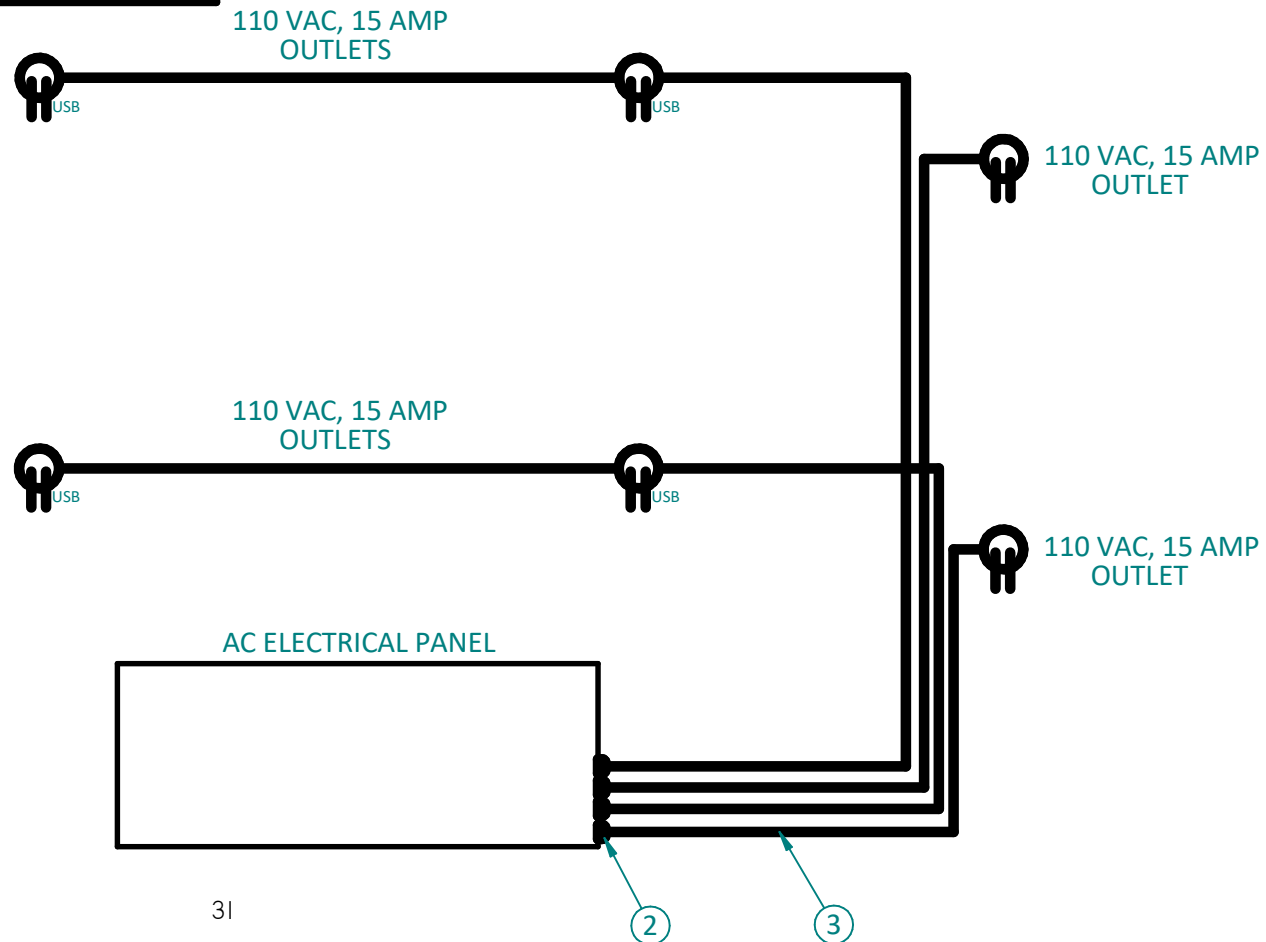


DASH CARRIER AC AND DC WIRING

ELC101028

AC WIRING

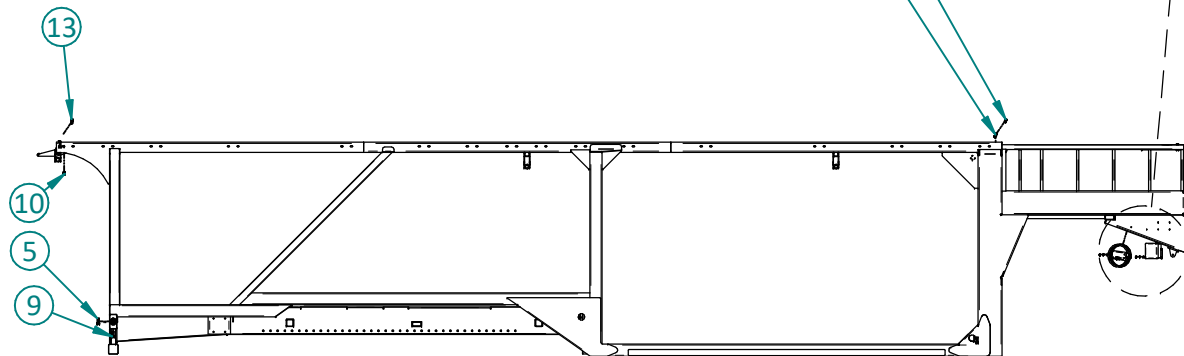
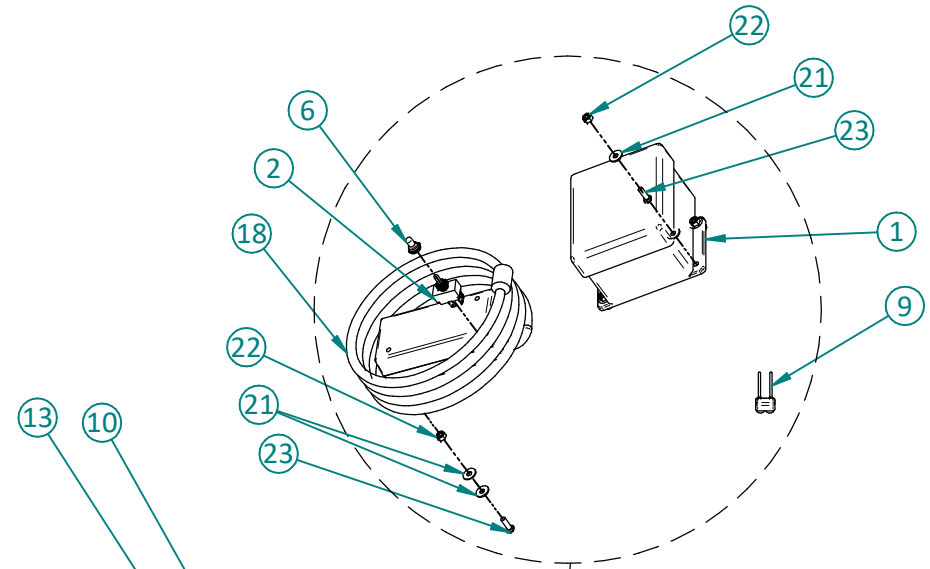
ITEM	PART NO.	DESCRIPTION	QTY
1	ELC100969	BATTERY LUG COVER	1
2	ELC100999	1" SCREW-DOWN STRAIN RELIEF	4
3	ELC101014	14 AWG, 3C, 300V PORTABLE CORD	65 FT
4	ELC101016	SERIES CONNECTION BATTERIES WIRE	1
5	ELC101017	BATTERY-SWITCH DISCONNECT WIRE	1
6	ELC101019	SWITCH DISCONNECT-DC PANEL WIRE	1
7	ELC101020	BATTERY-DC PANEL WIRE	1
8	ELC101021	LEVELLING SYSTEM HARNESS EXTENSION	1
9	ELC101024	BATTERY-LEVELLING SYSTEM WIRE BLACK	1
10	ELC101025	BATTERY-LEVELLING SYSTEM WIRE RED	1
13	ELC101029	TRANSFER SWITCH-AC PANEL CABLE	1
14	ELC101052	FLEXCASE G CONTROLLER GROUNDING WIRE	1



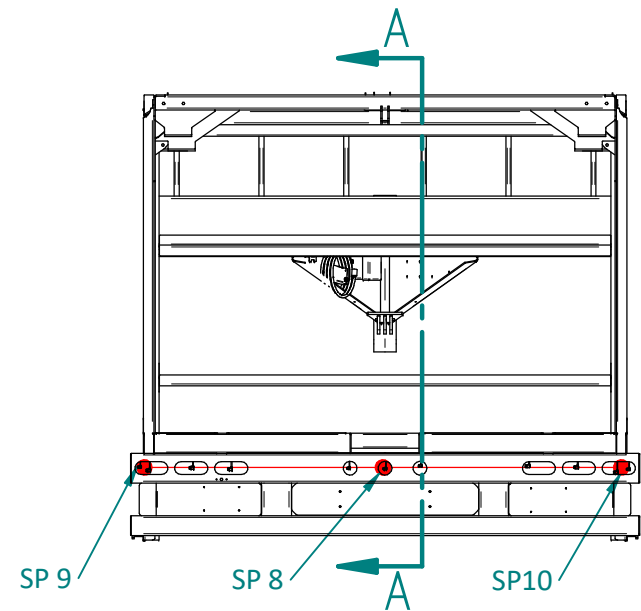
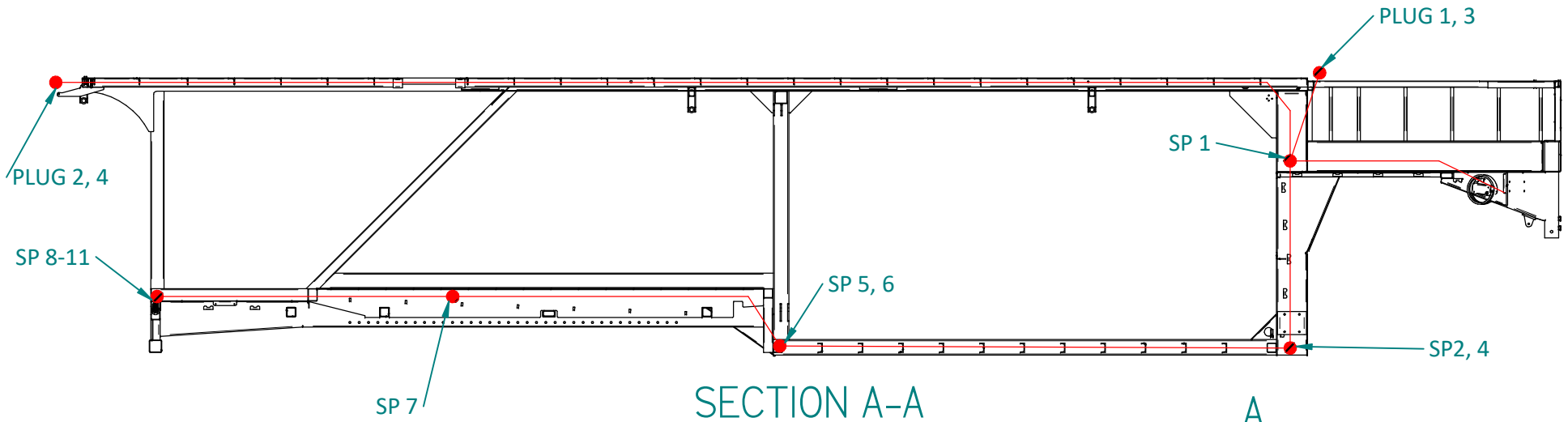
CARRIER LIGHT HARNESS

ELC100932

ITEM	PART NO.	DESCRIPTION	QTY
1	CMP101168	BREAKAWAY KIT	1
2	ELC100102	TOGGLE SWITCH	1
3*	ELC100157	14/6 WIRE	33 FT
4*	ELC100170	16/6" WIRE	29 FT
5	ELC100184	LIGHT, OVAL 3 PIN PIGTAIL 67000	6
6	ELC100203	TOGGLE SWITCH BOOT	1
7*	ELC100313	CRIMP, RING TERMINAL, BLUE, 16-14 GA, #10 HOLE	16
8*	ELC100319	BUTT CONNECTOR HEAT SHRINK 16-14 GA	86
9	ELC100333	LIGHT, MARKER 2 PIN PIGTAIL	18
10	ELC100703	DT06-2S	2
11*	ELC100704	DEUTSCH PLUG 2-PIN LOCK WEDGE W2S	2
12*	ELC100709	HEAT SHRINK TUBING 3/4"	6 FT
13	ELC100731	DEUTSCH RECEPTACLE 2 PIN DT 04-2P	2
14*	ELC100732	DEUTSCH RECEPTACLE 2 PIN LOCK WEDGE W2P	2
15*	ELC100755	0462-209-16141 SOCKET	4
16*	ELC100792	14/2 COATED WIRE	127 FT
17*	ELC100793	0460-215-16141 PIN	4
18	ELC100933	7-WAY 8' TRAILER WIRING PLUG W/ JUNCTION BOX	1
19*	ELC100970	STROBE LIGHT CONTROLLER	1
20*	ELC101044	STEP DOWN BUTT CONNECTOR 12-10 TO 8 AWG	6
21	FST100134	1/4" FLAT WASHER	12
22	FST100135	1/4" LOCK NUT	6
23	FST100169	1/4" x 3/4" CAP SCREW	6

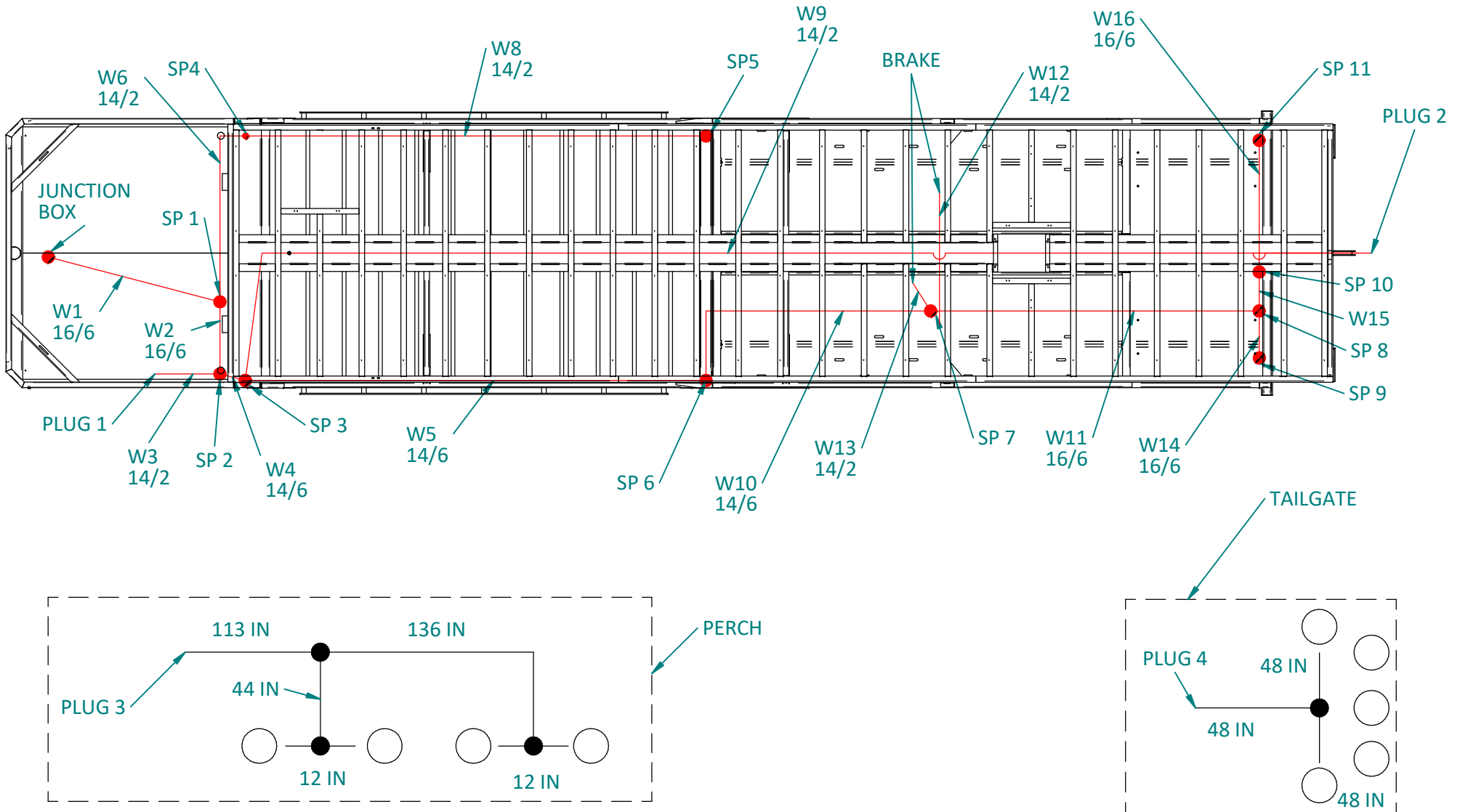


CARRIER LIGHT HARNESS ELC100932



CARRIER LIGHT HARNESS

ELC100932



THIS PAGE INTENTIONALLY LEFT BLANK

CARRIER LIGHT HARNESS

ELC100932

SP1 (ELC100319)				
Name	Colour	Name	Colour	Description
W1	Red	W2	Red	Strobe Lts
W1	Yellow	W2	Yellow	LH Turn
W1	Green	W2	Green	RH Turn
W1	Blue	W2	Blue	Axle Brks
W1	Brown	W2	Brown	Tail Lts
		W6	Black	Tail Lts
W1	White	W2	White	Ground
		W6	White	Ground

SP2				
Name	Colour	Name	Colour	Description
W2	Red	W4	Red	Strobe Lts
W2	Yellow	W4	Yellow	LH Turn
W2	Green	W4	Green	RH Turn
W2	Blue	W4	Blue	Axle Brks
W2	Brown	W4	Brown	Tail Lts
		W3	Black	Tail Lts
W2	White	W4	White	Ground
		W3	White	Ground

SP3				
Name	Colour	Name	Colour	Description
W4	Red	W5	Red	Strobe Lts
W4	Yellow	W5	Yellow	LH Turn
W4	Green	W5	Green	RH Turn
W4	Blue	W5	Blue	Axle Brks
W4	Brown	W5	Brown	Tail Lts
		Pigtail1	Black	Rnd Light
W4	White	W5	White	Ground
		Pigtail1	White	Rnd Light

SP4				
Name	Colour	Name	Colour	Description
W6	Black	W8	Black	Tail Lts
		Pigtail2	Black	Rnd Light
W6	White	W8	White	Ground
		Pigtail2	White	Rnd Light

SP6				
Name	Colour	Name	Colour	Description
W5	Red	W10	Red	Strobe Lts
W5	Yellow	W10	Yellow	LH Turn
W5	Green	W10	Green	RH Turn
W5	Blue	W10	Blue	Axle Brks
W5	Brown	W10	Brown	Tail Lts
		Pigtail4	Black	Rnd Light
W5	White	W10	White	Ground
		Pigtail4	White	Rnd Light

SP7				
Name	Colour	Name	Colour	Description
W10	Red	W11	Red	Strobe Lts
W10	Yellow	W11	Yellow	LH Turn
W10	Green	W11	Green	RH Turn
W10	Brown	W11	Brown	Tail Lts
W10	Blue	W12	Black	Axle Brks
		W13	Black	Axle Brks
W10	White	W11	White	Ground
		W12	White	Ground
		W13	White	Ground

SP5				
Name	Colour	Name	Colour	Description
W8	Black	Pigtail3	Black	Rnd Light
W8	White	Pigtail3	White	Rnd Light

SP8				
Name	Colour	Name	Colour	Description
W11	Red	W15	Red	Strobe Lts
		Pigtail5	Red	Strobe Lts
W11	Yellow	W14	Yellow	LH Turn
W11	Green	W15	Green	RH Turn
W11	Brown	W15	Brown	Tail Lts
		W14	Brown	Tail Lts
W11	White	W14	White	Ground
		W15	White	Ground
		Pigtail5	White	Ground

SP9				
Name	Colour	Name	Colour	Description
W14	Yellow	Pigtail6	Red	LH Turn
		Pigtail7	Red	LH Turn
W14	Brown	Pigtail6	Black	Tail Lts
		Pigtail7	Black	Tail Lts
		Pigtail8	Black	Tail Lts
W14	White	Pigtail6	White	Ground
		Pigtail7	White	Ground
		Pigtail8	White	Ground

SP10				
Name	Colour	Name	Colour	Description
W15	Red	W16	Red	Strobe Lts
W15	Green	W16	Green	RH Turn
W15	Brown	W16	Brown	Tail Lts
		Pigtail9	Black	Tail Lts
		Pigtail10	Black	Tail Lts
		Pigtail11	Black	Tail Lts
W15	White	W16	White	Ground
		Pigtail9	White	Ground
		Pigtail10	White	Ground
		Pigtail11	White	Ground

CARRIER LIGHT HARNESS**ELC100932**

SPII				
Name	Colour	Name	Colour	Description
W16	Red	PigtailI2	Red	Strobe
W16	Green	PigtailI3	Red	RH Turn
		PigtailI4	Red	RH Turn
W16	Brown	PigtailI3	Black	Tail Lts
		PigtailI4	Black	Tail Lts
		PigtailI5	Black	Tail Lts
W16	White	PigtailI2	White	Ground
		PigtailI3	White	Ground
		PigtailI4	White	Ground
		PigtailI5	White	Ground

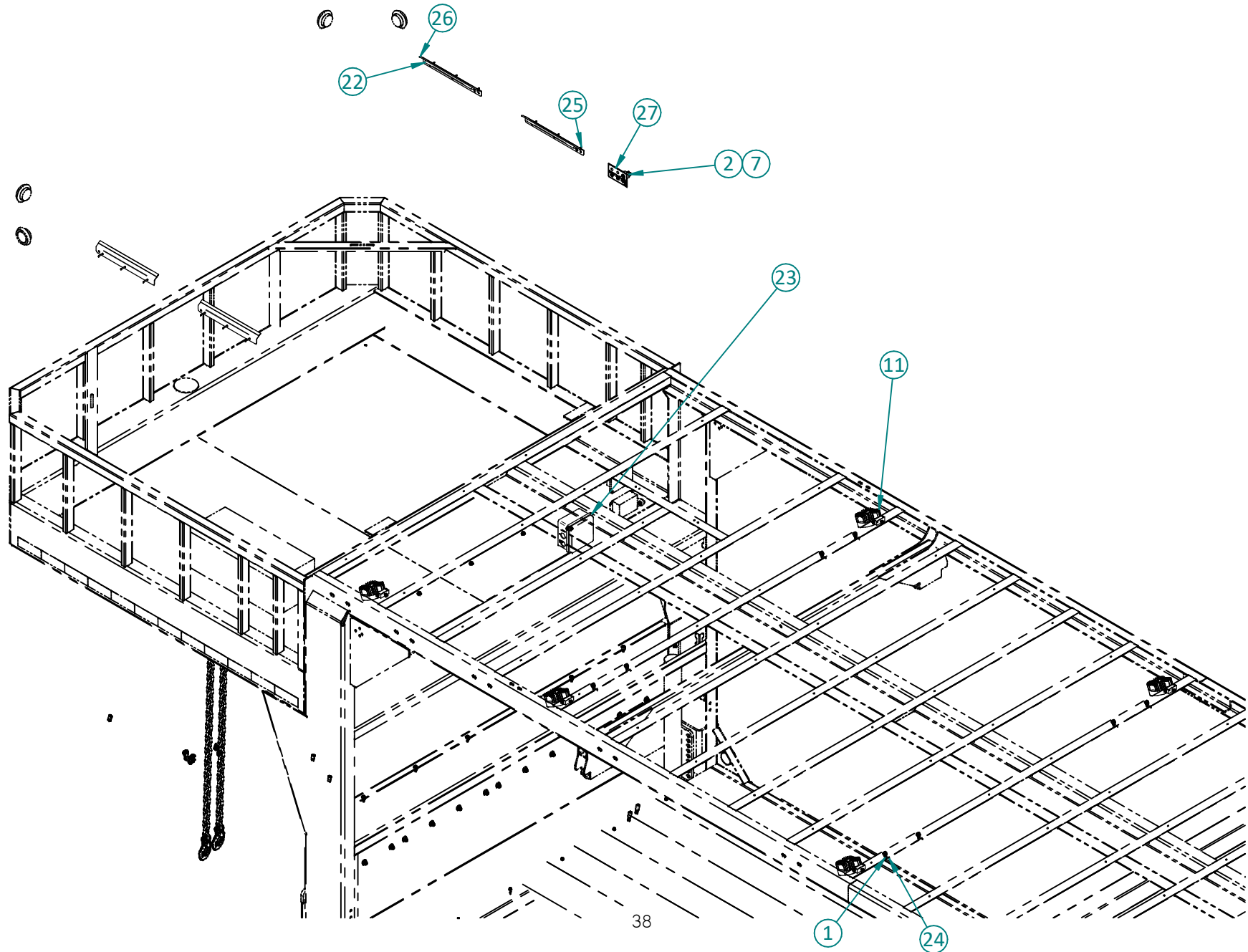
Cut Lengths		
Name	Type	Length (in)
W1	I6ga 6c	74
W2	I6ga 6c	30
W3	I4ga 2c	34
W4	I4ga 6c	56
W5	I4ga 6c	205
W6	I4ga 2c	123
W8	I4ga 2c	205
W9	I4ga 2c	518
W10	I4ga 6c	130
W11	I6ga 6c	146
W12	I4ga 2c	70
W13	I4ga 2c	70
W14	I6ga 6c	20
W15	I6ga 6c	30
W16	I6ga 6c	45
Tailgate	I4ga 2c	144
Perch	I4ga 2c	361

Pigtails		
Name	Type	Description
PigtailI1	ELC100333	LIGHT, MARKER 2 PIN PIGTAIL
Pigtail2	ELC100333	LIGHT, MARKER 2 PIN PIGTAIL
Pigtail3	ELC100333	LIGHT, MARKER 2 PIN PIGTAIL
Pigtail4	ELC100333	LIGHT, MARKER 2 PIN PIGTAIL
Pigtail5	ELC100184	LIGHT, OVAL 3 PIN PIGTAIL 67000
Pigtail6	ELC100184	LIGHT, OVAL 3 PIN PIGTAIL 67000
Pigtail7	ELC100184	LIGHT, OVAL 3 PIN PIGTAIL 67000
Pigtail8	ELC100333	LIGHT, MARKER 2 PIN PIGTAIL
Pigtail9	ELC100333	LIGHT, MARKER 2 PIN PIGTAIL
PigtailI0	ELC100333	LIGHT, MARKER 2 PIN PIGTAIL
PigtailI1	ELC100333	LIGHT, MARKER 2 PIN PIGTAIL
PigtailI2	ELC100184	LIGHT, OVAL 3 PIN PIGTAIL 67000
PigtailI3	ELC100184	LIGHT, OVAL 3 PIN PIGTAIL 67000
PigtailI4	ELC100184	LIGHT, OVAL 3 PIN PIGTAIL 67000
PigtailI5	ELC100333	LIGHT, MARKER 2 PIN PIGTAIL
Pigtail perch X 5	ELC100333	LIGHT, MARKER 2 PIN PIGTAIL
Pigtail Tailgate X 5	ELC100333	LIGHT, MARKER 2 PIN PIGTAIL

Plugs				
Name	Cav	Colour	Type	Description
PLUG 1	1	Black	ELC100731	DEUTSCH RECEPTACLE 2 PIN DT 04-2P
	2	White		
PLUG 2	1	Black	ELC100731	DEUTSCH RECEPTACLE 2 PIN DT 04-2P
	2	White		
PLUG 3	1	Black	ELC100703	DT06-2S
	2	White		
PLUG 4	1	Black	ELC100703	DT06-2S
	2	White		

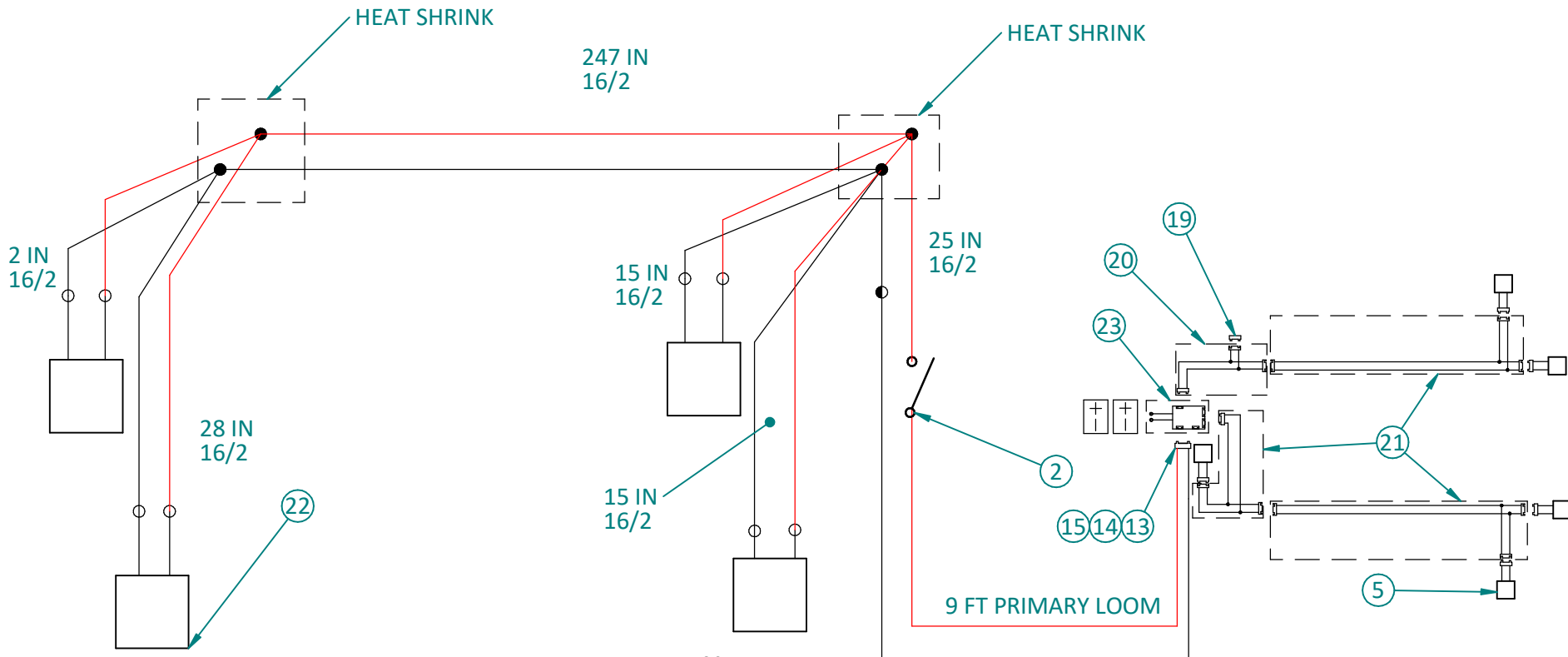
DRONE TRAILER LIGHTING PACKAGE

KIT400193



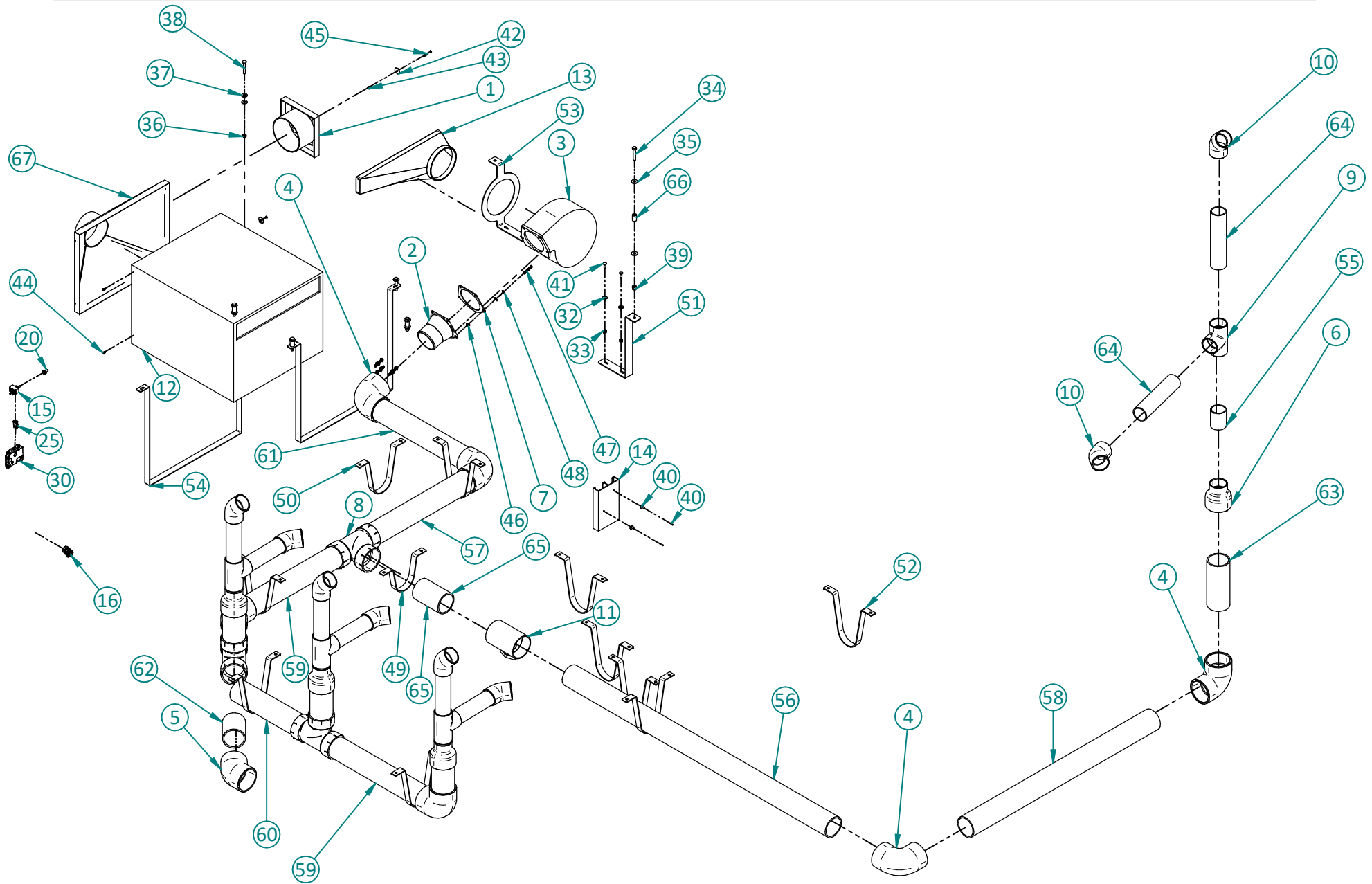
DRONE TRAILER LIGHTING PACKAGE KIT400193

ITEM	PART NO.	DESCRIPTION	QTY	ITEM	PART NO.	DESCRIPTION	QTY
15*	ELCI00705	DEUTSCH PLUG CRIMP SOCKET 0462-201-1614I	4	1	CMPI00319	3/8" P-CLIP	8
16*	ELCI00716	0460-202-1614I PIN	2	2	ELCI00102	TOGGLE SWITCH	1
17	ELCI00731	DEUTSCH RECEPTACLE 2 PIN DT 04-2P	1	3*	ELCI00110	16/2 WIRE (RED/BLACK)	28 FT
18*	ELCI00732	DEUTSCH RECEPTACLE 2 PIN LOCK WEDGE W2P	1	4*	ELCI00158	16 GAUGE WIRE RED PRIMARY	9 FT
19*	ELCI00756	DEUTSCH PLUG SEAL PLUG	2	5*	ELCI00159	16 GAUGE WIRE BLACK PRIMARY	9 FT
20*	ELCI00881	LIGHT POST HARNESS	1	6*	ELCI00171	HEAT SHRINK TUBING 1/2"	12 IN
21*	ELCI00908	LIGHT HARNESS	3	7	ELCI00203	TOGGLE SWITCH BOOT	1
22	ELCI01050	LED STRIP LIGHT	4	8*	ELCI00205	3/8" WIRE LOOM	9 FT
23	ELCI01051	CARRIER FUSE BOX	1	9*	ELCI00317	CRIMP, MALE DISCONNECT, NYLON INSULATED, 16-14 GA	2
24	FST100428	#10 X 1" SELF DRILL TEC SCREW	8	10*	ELCI00319	BUTT CONNECTOR HEAT SHRINK 16-14 GA	5
25	FST101042	POP RIVET SS 3/16 X 1 X 5/8 HEAD	12	11	ELCI00500	5 BULB LED WORK LIGHT	5
26	PCT401919	LED STRIP BRACKET	4	12*	ELCI00702	DEUTSCH PLUG HD44-24-19PN-059	1
27	SAF400173	PERCH DESK DECAL	1	13	ELCI00703	DT06-2S	1
				14*	ELCI00704	DEUTSCH PLUG 2-PIN LOCK WEDGE W2S	2



BATTERY COOLING KIT

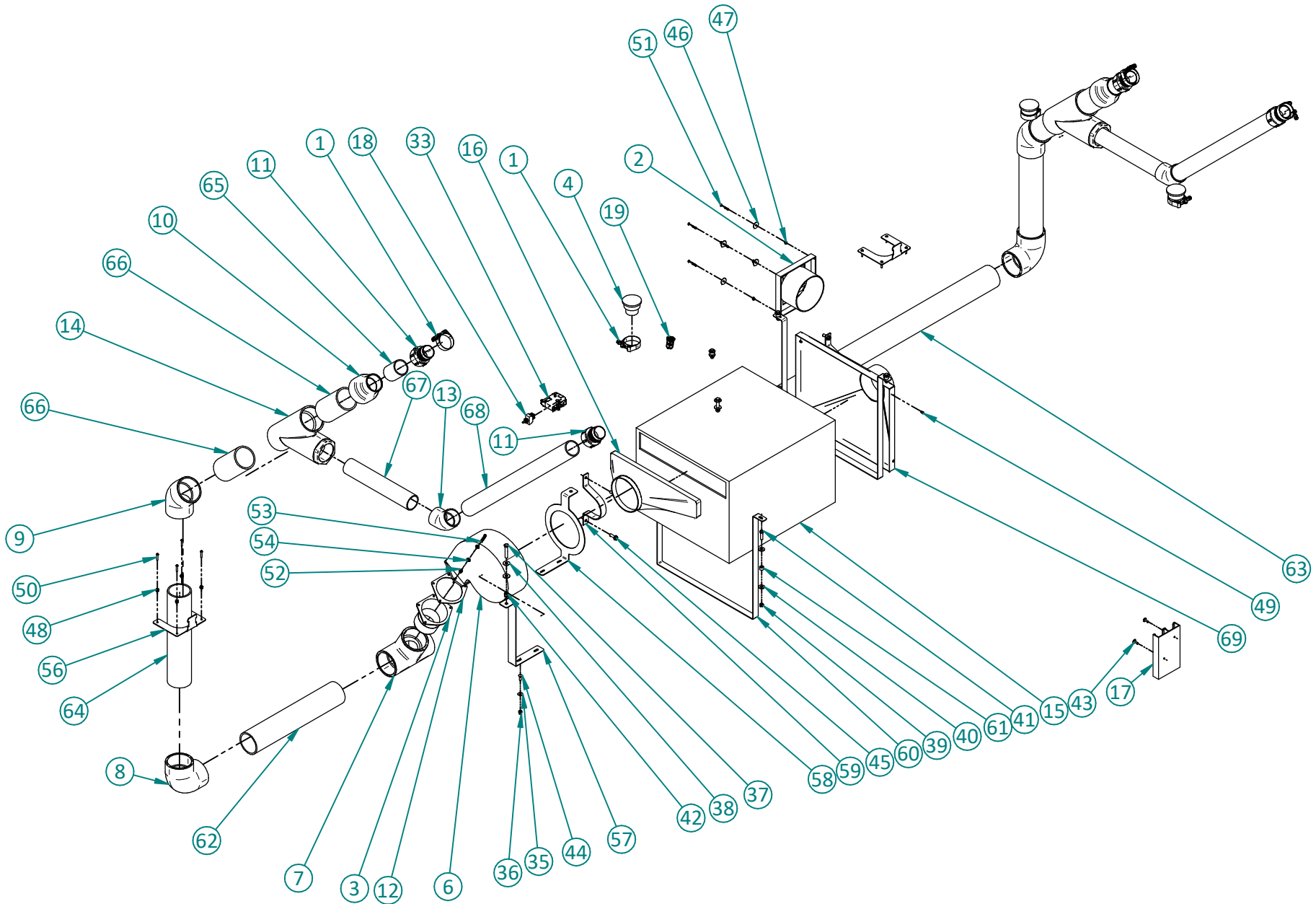
KIT400226



BATTERY COOLING KIT**KIT400226**

ITEM	PART NO.	DESCRIPTION	QTY	ITEM	PART NO.	DESCRIPTION	QTY
35	FST100150	3/8" FLAT WASHER	4	1	CMP401400	EXHAUST VENT COVER	1
36	FST100173	5/16" LOCK NUT	4	2	CMP401534	VENT ADAPTER	1
37	FST100174	5/16" FLAT WASHER	8	3	CMP401561	FLANGE MOUNT BLOWER FAN, 24V	1
38	FST100178	5 /16" x 2" CAP SCREW	4	4	CMP401564	PVC ELBOW 90 DEG 3" GLUE SOCKET X 3" GLUE SOCKET	5
39	FST100206	3/8" LOCKNUT	2	5	CMP401567	PVC ELBOW 45 DEG 3" GLUE SOCKET X 3" GLUE SOCKET	2
40	FST100228	POP RIVET STEEL 3/16 X 1/2 X 5/8 HEAD	2	6	CMP401568	PVC ADAPTER 2" GLUE SOCKET X 3" GLUE SOCKET	4
41	FST100233	1/4" X 3/4" CARRIAGE BOLT	2	7	CMP401572	VENT GASKET	1
42	FST100298	3/16" FENDER WASHER	4	8	CMP401590	PVC TEE 3" GLUE SOCKET X 3" GLUE SOCKET	3
43	FST100940	#6-32 LOCK NUT SS	4	9	CMP401595	PVC TEE 2" GLUE SOCKET X 2" GLUE SOCKET	4
44	FST101019	#6 X 1/2" PAN HEAD PHILLIPS TAPPING SCREW	4	10	CMP401596	PVC ELBOW 45° 2" GLUE SOCKET X 2" GLUE SOCKET	8
45	FST101046	#6-32 X 1-1/2" FLAT HEAD SCREW	4	11	CMP401598	PP DAMPER 3 GLUE SOCKET X 3 GLUE SOCKET	1
46	FST101052	#12-24 NYLON INSERT LOCK NUT	4	12	CMP401611	14000 BTU AIR CONDITIONER	1
47	FST101085	#12 X 1-12 CAP SCREW	4	13	CMP401621	DUCT, BATTERY	1
48	FST101086	#12 FLAT WASHER	8	14	CMP401622	AC REMOTE HOLDER	1
49	PCT400301	HOSE HANGER 5"	1	15	ELCI00102	TOGGLE SWITCH	1
50	PCT400302	HOSE HANGER 7"	1	16	ELCI00136	1/2" FURREL NUT SCEPTER SRC 10	1
51	PCT402389	HANGER BRKT	1	17*	ELCI00158	16 GAUGE WIRE RED PRIMARY	158 IN
52	PCT402426	HOSE HANGER 8"	9	18*	ELCI00159	16 GAUGE WIRE BLACK PRIMARY	158 IN
53	PCT402427	HANGER BRKT	1	19*	ELCI00199	CRIMP, RING TERMINAL, YELLOW, 12-10 GA, 5/16" HOLE	1
54	PCT402466	AC HANGER BRKT	2	20	ELCI00203	TOGGLE SWITCH BOOT	1
55	SAW401081	EXT PIPE	4	21*	ELCI00205	3/8" WIRE LOOM	496 IN
56	SAW401106	LONG CROSS PIPE	1	22*	ELCI00317	CRIMP, MALE DISCONNECT, NYLON INSULATED, 16-14 GA	4
57	SAW401107	CROSS PIPE	1	23*	ELCI00319	BUTT CONNECTOR HEAT SHRINK 16-14 GA	2
58	SAW401108	END PIPE	1	24*	ELCI00395	HEAT SHRINK TUBING 1"	9 IN
59	SAW401109	MIDDLE PIPE	2	25	ELCI00703	DT06-2S	1
60	SAW401110	FIRST PIPE	1	26*	ELCI00704	DEUTSCH PLUG 2-PIN LOCK WEDGE W2S	1
61	SAW401111	BLOWER PIPE	1	27*	ELCI00705	DEUTSCH PLUG CRIMP SOCKET 0462-201-16141	2
62	SAW401112	SHORT ANGLED PIPE	1	28*	ELCI00861	BUTT CONNECTOR HEAT SHRINK 12-10 ga	4
63	SAW401113	VENT PIPE	5	29*	ELCI00949	12 GAUGE WIRE BLACK	600 IN
64	SAW401116	BLOWER PIPE	8	30	ELCI00994	15A CIRCUIT BREAKER	1
65	SAW401130	DAMPER PIPE	1	31*	ELCI01012	PORTABLE CORD, 3C, 12AWG	151 IN
66	SAW401135	BOLT SPACER	4	32	FST100134	1/4" FLAT WASHER	2
67	WLD400638	TRANSITION WLDT	1	33	FST100135	1/4" LOCK NUT	2
				34	FST100143	3/8" X 2" CAP SCREW	2

GLASS ENCLOSURE WITH AIR CONDITIONING KIT KIT400192

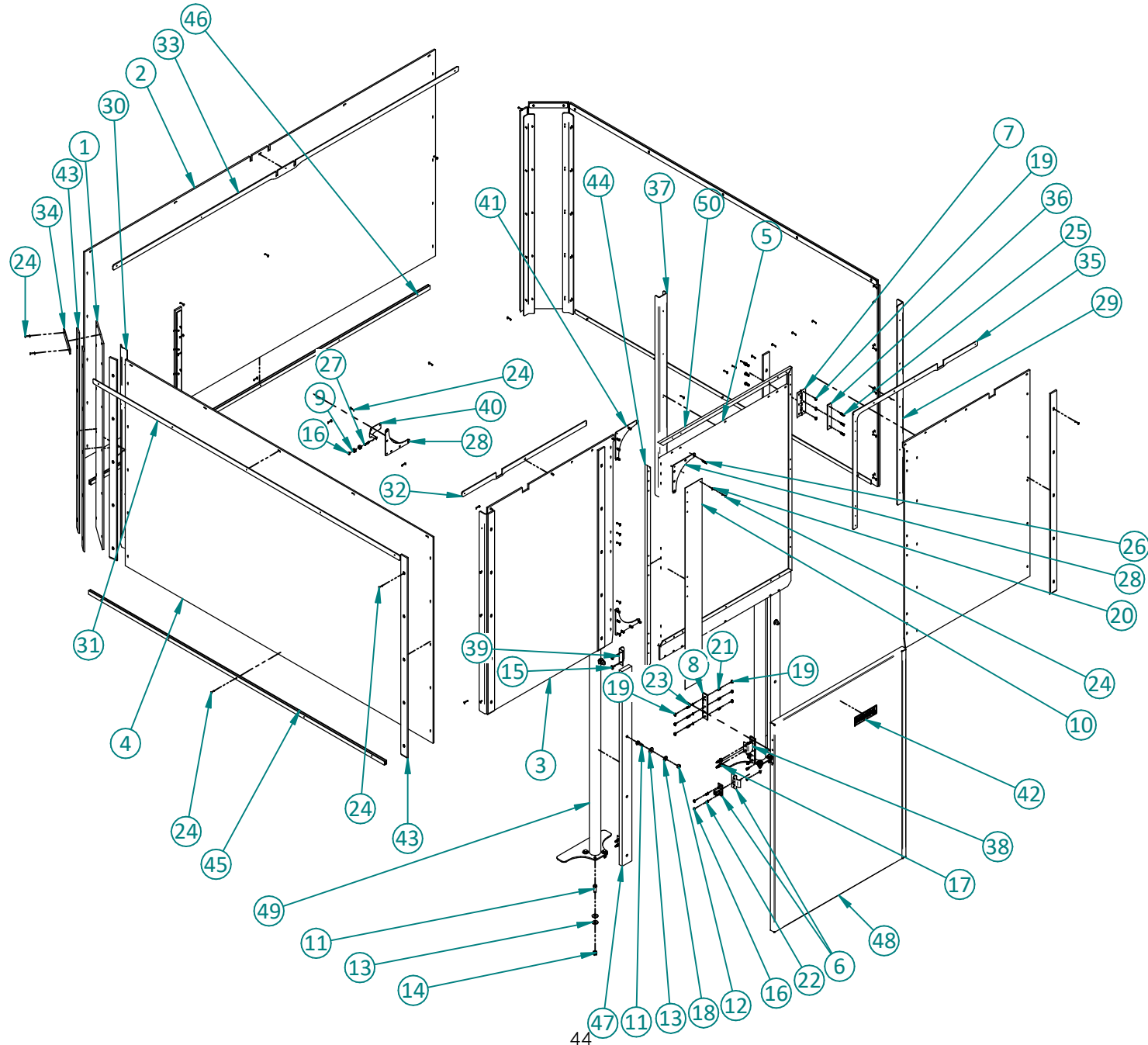


GLASS ENCLOSURE WITH AIR CONDITIONING KIT KIT400192

ITEM	PART NO.	DESCRIPTION	QTY	ITEM	PART NO.	DESCRIPTION	QTY
36	FST100135	1/4" LOCK NUT	2	1	CMP400763	2.13-2.38" T-BOLT HOSE CLAMP	8
37	FST100143	3/8" X 2" CAP SCREW	2	2	CMP401400	EXHAUST VENT COVER	1
38	FST100150	3/8" FLAT WASHER	4	3	CMP401534	VENT ADAPTER	1
39	FST100173	5/16" LOCK NUT	4	4	CMP401536	DASH VENT	3
40	FST100174	5/16" FLAT WASHER	8	5*	CMP401537	DUCT HOSE 2"	48 IN
41	FST100177	5/16" X 1 1/4" CAP SCREW	4	6	CMP401561	FLANGE MOUNT BLOWER FAN, 24V	1
42	FST100206	3/8" LOCKNUT	2	7	CMP401563	PVC TEE 3" GLUE SOCKET X 3" GLUE SOCKET	1
43	FST100228	POP RIVET STEEL 3/16 X 1/2 X 5/8 HEAD	2	8	CMP401564	PVC ELBOW 90 DEG 3" GLUE SOCKET X 3" GLUE SOCKET	2
44	FST100233	1/4" X 3/4" CARRIAGE BOLT	2	9	CMP401567	PVC ELBOW 45 DEG 3" GLUE SOCKET X 3" GLUE SOCKET	2
45	FST100263	5/16" x 1" SELF TAP	4	10	CMP401568	PVC ADAPTER 2" GLUE SOCKET X 3" GLUE SOCKET	2
46	FST100298	3/16" FENDER WASHER	4	11	CMP401569	PVC ADAPTER 2" GLUE SOCKET X 2" HB	4
47	FST100940	#6-32 LOCK NUT SS	4	12	CMP401572	VENT GASKET	1
48	FST101002	#10-24 NYLON INSERT LOCK NUT	8	13	CMP401596	PVC ELBOW 45° 2" GLUE SOCKET X 2" GLUE SOCKET	2
49	FST101019	#6 X 1/2" PAN HEAD PHILLIPS TAPPING SCREW	4	14	CMP401609	PVC WYE 3" GLUE SOCKET X 2" GLUE SOCKET	2
50	FST101026	# 10 - 24 X 1" ROUND HEAD SCREW	8	15	CMP401611	14000 BTU AIR CONDITIONER	1
51	FST101046	#6-32 X 1-1/2" FLAT HEAD SCREW	4	16	CMP401618	DUCT, PERCH	1
52	FST101052	#12-24 NYLON INSERT LOCK NUT	4	17	CMP401622	AC REMOTE HOLDER	1
53	FST101085	#12 X 1-12 CAP SCREW	4	18	ELCI00102	TOGGLE SWITCH	1
54	FST101086	#12 FLAT WASHER	8	19	ELCI00136	1/2" FURREL NUT SCEPTER SRC 10	1
55*	KIT400176	PERCH ENCLOSURE KIT	1	20*	ELCI00158	16 GAUGE WIRE RED PRIMARY	300 IN
56	PCT402380	SUPPORT PLATE	2	21*	ELCI00159	16 GAUGE WIRE BLACK PRIMARY	300 IN
57	PCT402389	HANGER BRKT	1	22*	ELCI00199	CRIMP, RING TERMINAL, YELLOW, 12-10 GA, 5/16" HOLE	1
58	PCT402427	HANGER BRKT	1	23*	ELCI00203	TOGGLE SWITCH BOOT	1
59	PCT402447	PIPE HANGER	2	24*	ELCI00205	3/8" WIRE LOOM	600 IN
60	PCT402466	AC HANGER BRKT	2	25*	ELCI00317	CRIMP, MALE DISCONNECT, NYLON INSULATED, 16-14 GA	4
61	SAW101133	SHORT BRAKE SPACER	4	26*	ELCI00319	BUTT CONNECTOR HEAT SHRINK 16-14 GA	2
62	SAW401078	SHORT PIPE	1	27*	ELCI00395	HEAT SHRINK TUBING 1"	9 IN
63	SAW401079	LONG PIPE	1	28*	ELCI00703	DT06-2S	1
64	SAW401080	VERTICAL PIPE	2	29*	ELCI00704	DEUTSCH PLUG 2-PIN LOCK WEDGE W2S	1
65	SAW401081	EXT PIPE	2	30*	ELCI00705	DEUTSCH PLUG CRIMP SOCKET 0462-201-16141	2
66	SAW401093	ANGLED PIPE	4	31*	ELCI00861	BUTT CONNECTOR HEAT SHRINK 12-10 ga	4
67	SAW401131	SHORT DUCT PIPE	2	32*	ELCI00949	12 GAUGE WIRE BLACK	600 IN
68	SAW401132	LONG DUCT PIPE	2	33	ELCI00994	15A CIRCUIT BREAKER	1
69	WLD400638	TRANSITION WLDT	1	34*	ELCI01012	PORTABLE CORD, 3C, 12AWG	104 IN
				35	FST100134	1/4" FLAT WASHER	2

PERCH ENCLOSURE KIT

KIT400176



PERCH ENCLOSURE KIT

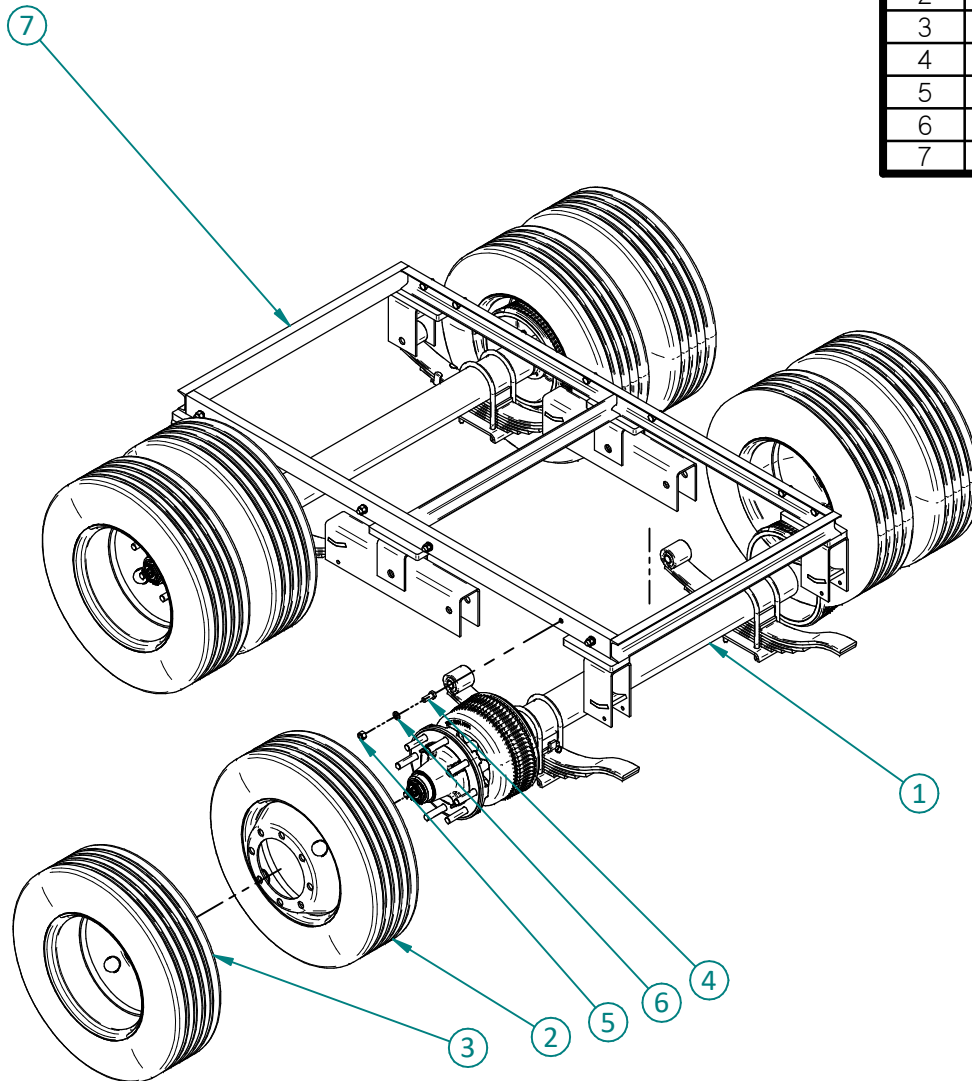
KIT400176

ITEM	PART NO.	DESCRIPTION	QTY	ITEM	PART NO.	DESCRIPTION	QTY
35	PCT401634	DOOR HINGE PLATE	1	1	CMP401160	CORNER SHEET	2
36	PCT401664	HINGE SPACER	4	2	CMP401161	FRONT SHEET	1
37	PCT401680	GUIDE BRKT	2	3	CMP401162	BACK SHEET	2
38	PCT401928	DOOR STOP	2	4	CMP401163	SIDE SHEET	2
39	PCT402218	DOOR HANDLE	1	5	CMP401211	TOP DOOR SHEET	1
40	PCT402430	MAGNET PLATE	1	6	CMP401212	PUSH LATCH	1
41	PCT402433	CORNER BOLT PLATE	2	7	CMP401215	SPRING HINGE	3
42	SAF400174	PERCH DOOR DECAL	1	8	CMP401371	SELF OPENING SPRING HINGE	3
43	SAW400943	GUIDE	14	9	CMP401601	RING MAGNET RA24DCS	2
44	SAW401057	SIDE CHANNEL	1	10	CMP401625	DOOR SEAL	1
45	SAW401133	SIDE CHANNEL	2	11	FST100141	3/8" X 1" CAP SCREW	12
46	SAW401134	FRONT CHANNEL	1	12	FST100148	3/8" NUT	4
47	SAW401142	WINDOW SLIDER	2	13	FST100150	3/8" FLAT WASHER	20
48	WLD400380	BOTTOM DOOR FRAME WLDT	1	14	FST100206	3/8" LOCKNUT	8
49	WLD400463	GLASS CONTAINMENT WLDT	2	15	FST100228	POP RIVET STEEL 3/16 X 1/2 X 5/8 HEAD	2
50	WLD400634	FRAME WLDT	1	16	FST100471	#8-32 LOCK NUT	5
				17	FST100957	1/4" X 1 SELF DRILLING SCREW	4
				18	FST100963	3/8" DOMED SERRATED WASHER	4
				19	FST101007	#6-32 NYLON INSERT LOCK NUT	46
				20	FST101020	#6 FLAT WASHER	6
				21	FST101036	#6-32 X 1/2" FLAT HEAD SCREW	9
				22	FST101038	8-32 X 1/2" FLAT HEAD SCREW	4
				23	FST101046	#6-32 X 1-1/2" FLAT HEAD SCREW	9
				24	FST101071	POP RIVET ALUMIUM 1/8" X 3/4" 1/4" HEAD	124
				25	FST101072	#6-32 X 3/4" ROUND HEAD MACHINE SCREW PHILLIPS	18
				26	FST101090	#6-32 X 1" FLAT HEAD SCREW	10
				27	FST101092	#8-32 X 1" FLAT HEAD CAP SCREW	1
				28	MAC400020	CORNER PLATE MACHINED	2
				29	PCT401523	90 DEG CORNER PLATE	2
				30	PCT401533	45 DEG CORNER PLATE	4
				31	PCT401594	SIDE CLAMP PLATE	2
				32	PCT401595	REAR CLAMP PLATE	1
				33	PCT401596	SIDE CLAMP PLATE	1
				34	PCT401597	CORNER CLAMP PLATE	2

16K AXLES KIT

KIT400232

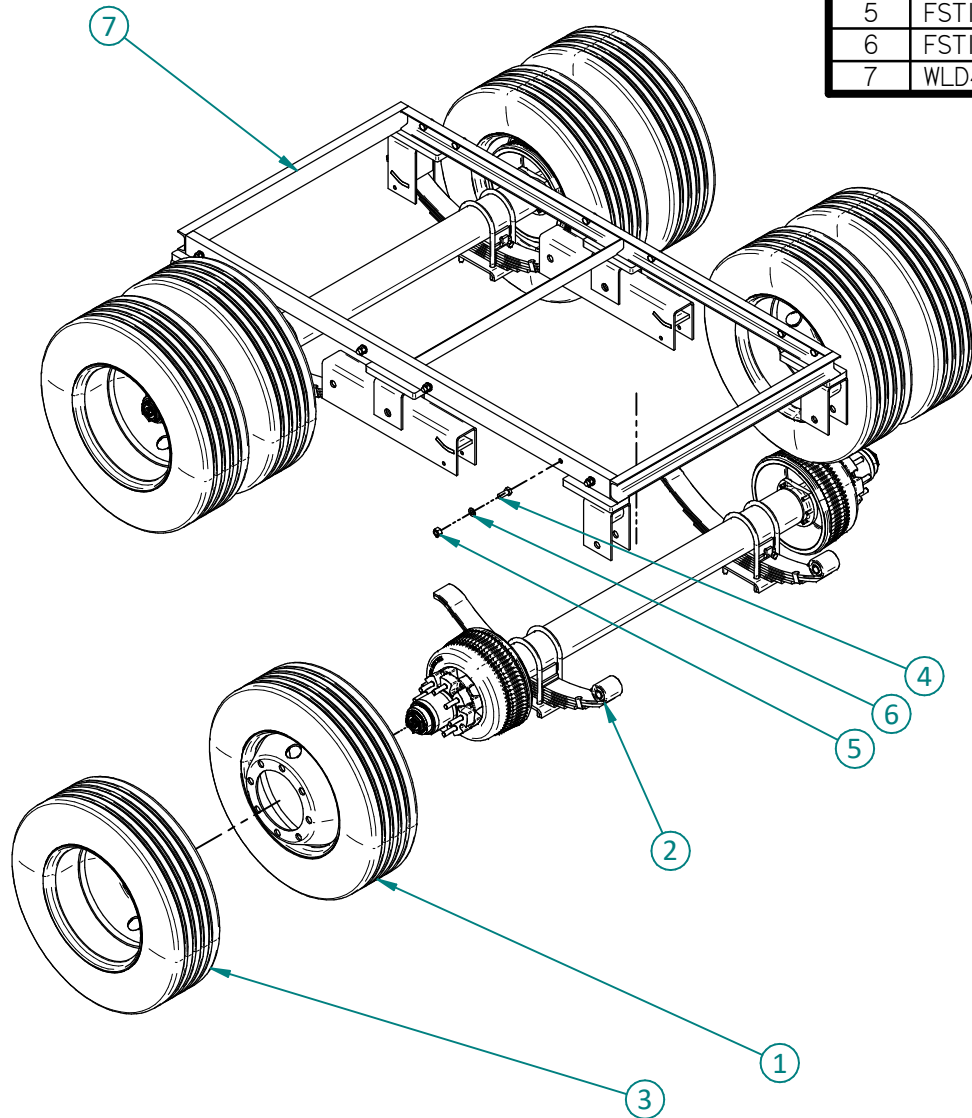
ITEM	PART NO.	DESCRIPTION	QTY
1	CMP400954	16K LIPPERT AXLE	2
2	CMP400985	TIRE 235/75R17.5 WITH STEEL WHEEL	4
3	CMP401414	TIRE 235/75R17.5 WITH ALUMINUM WHEEL	4
4	FST100185	5/8" X 1 1/2" CAP SCREW	12
5	FST100278	5/8" CRIMP NUT	12
6	FST100349	5/8" HARDENED WASHER	12
7	WLD400372	SLIDING AXLE WELDMENT	1



12K AXLES KIT

KIT400233

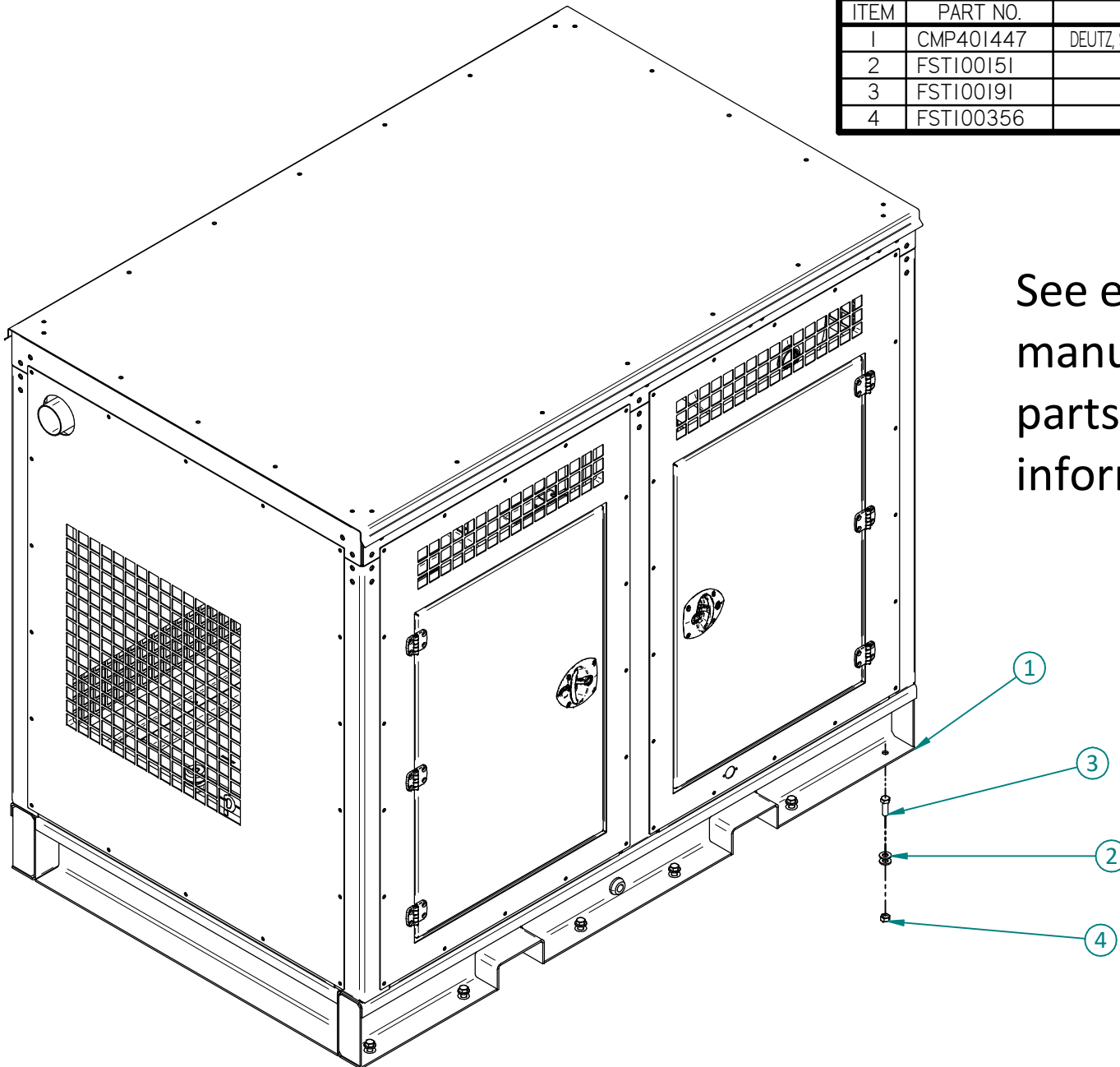
ITEM	PART NO.	DESCRIPTION	QTY
1	CMP400985	TIRE 235/75R17.5 WITH STEEL WHEEL	4
2	CMP401326	12K LIPPERT AXLE	2
3	CMP401414	TIRE 235/75R17.5 WITH ALUMINUM WHEEL	4
4	FST100185	5/8" X 1 1/2" CAP SCREW	12
5	FST100278	5/8" CRIMP NUT	12
6	FST100349	5/8" HARDENED WASHER	12
7	WLD400372	SLIDING AXLE WELDMENT	1



37.4 kW GENSET W/DEUTZ DIESEL W/ENGINE MOUNTED AIR COMPRESSOR, 240 SINGLE PH

KIT400244

ITEM	PART NO.	DESCRIPTION	QTY
1	CMP401447	DEUTZ, STAMFORD GENSET 37.4 KW (COMPACT), 240V SINGLE PH	1
2	FST100151	1/2" FLAT WASHER HARDENED	24
3	FST100191	1/2" X 1 1/2" CAP SCREW	12
4	FST100356	1/2" CRIMP NUT	12

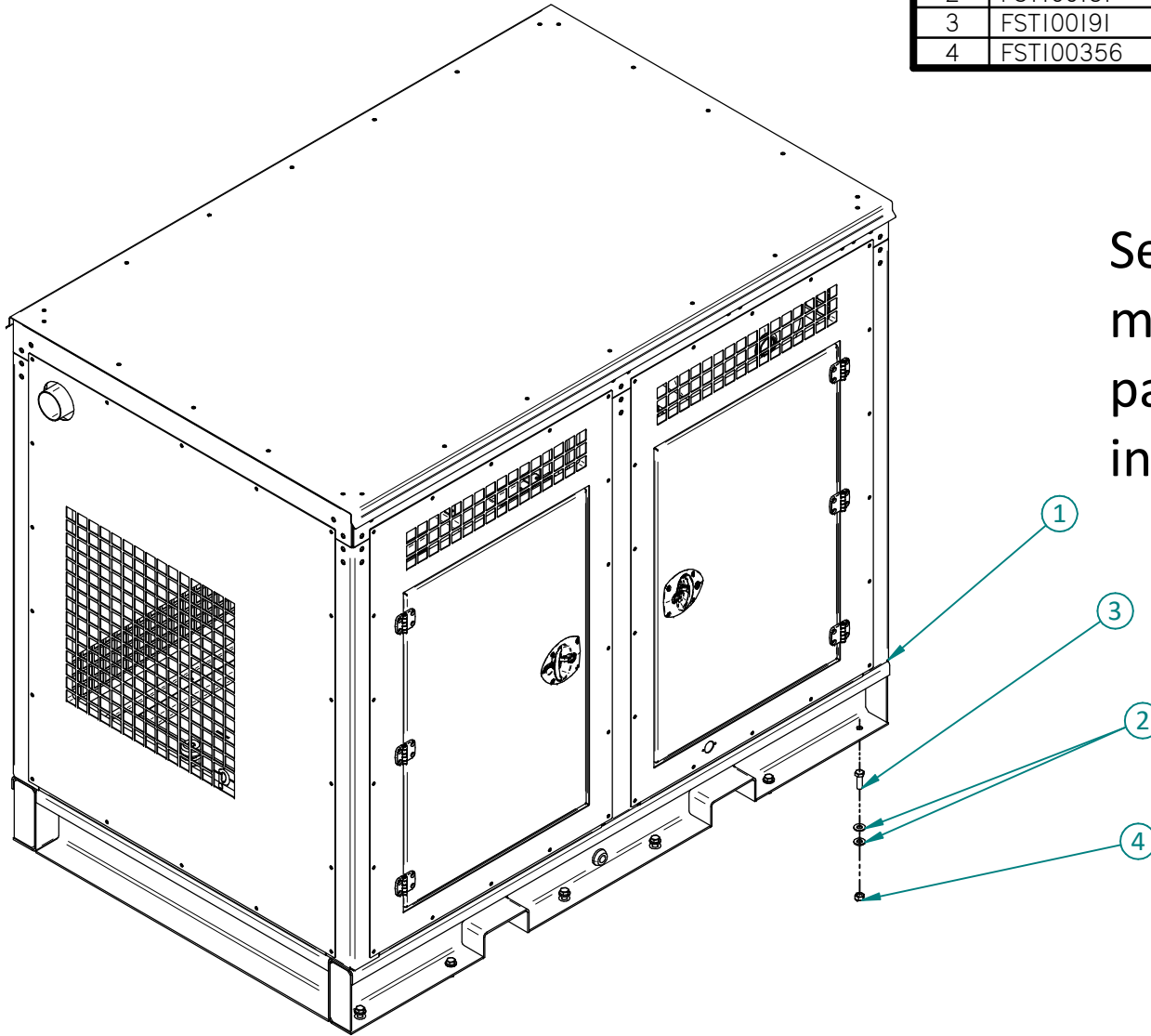


See engine's included manual for more detailed parts and operation information

37.4 kW GENSET W/DEUTZ DIESEL W/ENGINE MOUNTED AIR COMPRESSOR, 480V 3 PH

KIT400245

ITEM	PART NO.	DESCRIPTION	QTY
1	CMP401659	DEUTZ, STAMFORD GENSET 37.4 KW (COMPACT), 480V 3 PH	1
2	FST100151	1/2" FLAT WASHER HARDENED	24
3	FST100191	1/2" X 1 1/2" CAP SCREW	12
4	FST100356	1/2" CRIMP NUT	12

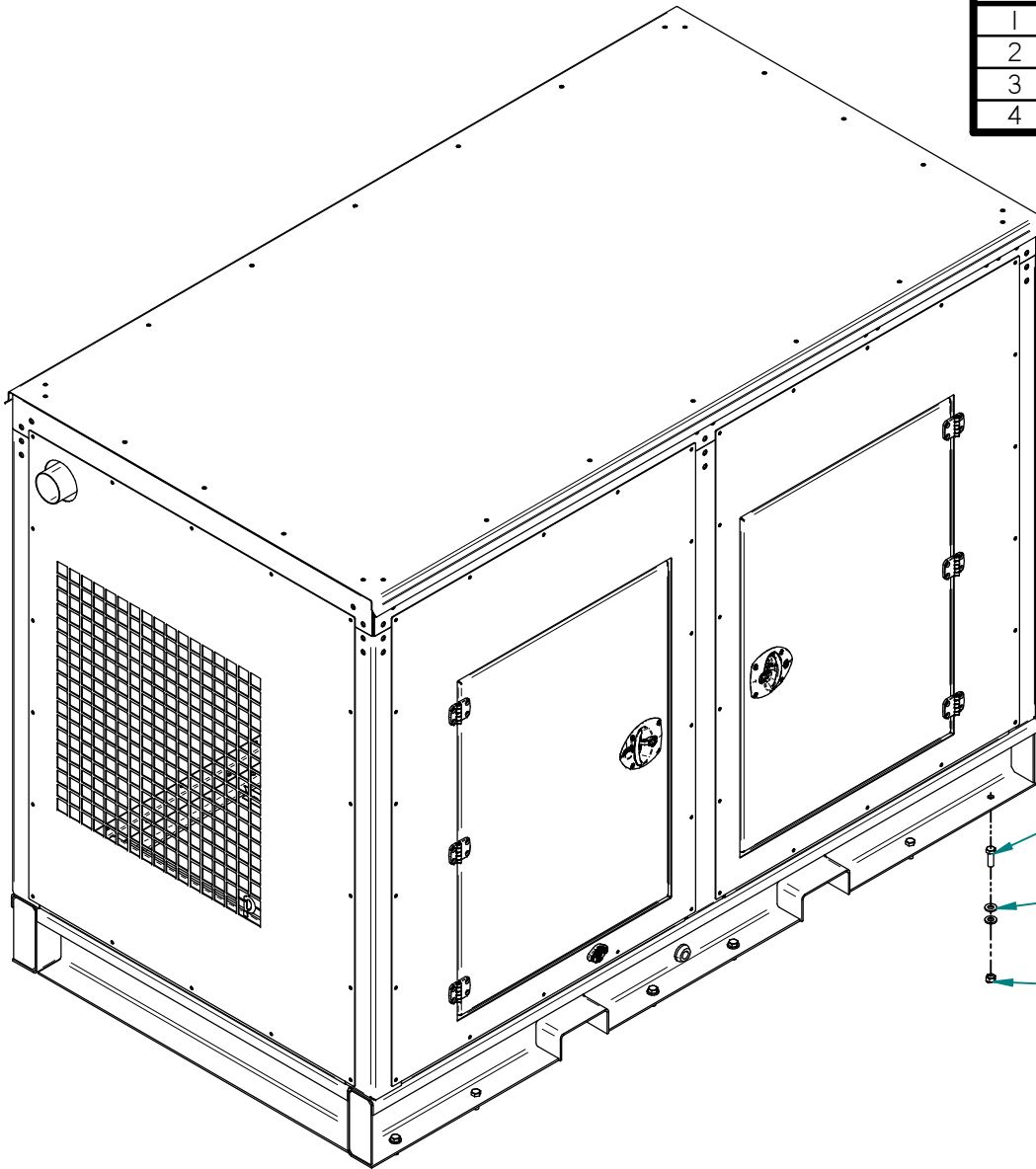


See engine's included manual for more detailed parts and operation information

37.4 kW GENSET W/DEUTZ DIESEL W/ENGINE MOUNTED AIR COMPRESSOR, 480V 3 PH

KIT400246

ITEM	PART NO.	DESCRIPTION	QTY
1	CMP401660	DEUTZ, STAMFORD GENSET 37.4 KW, 480V 3 PH	1
2	FST100151	1/2" FLAT WASHER HARDENED	24
3	FST100191	1/2" X 1 1/2" CAP SCREW	12
4	FST100356	1/2" CRIMP NUT	12



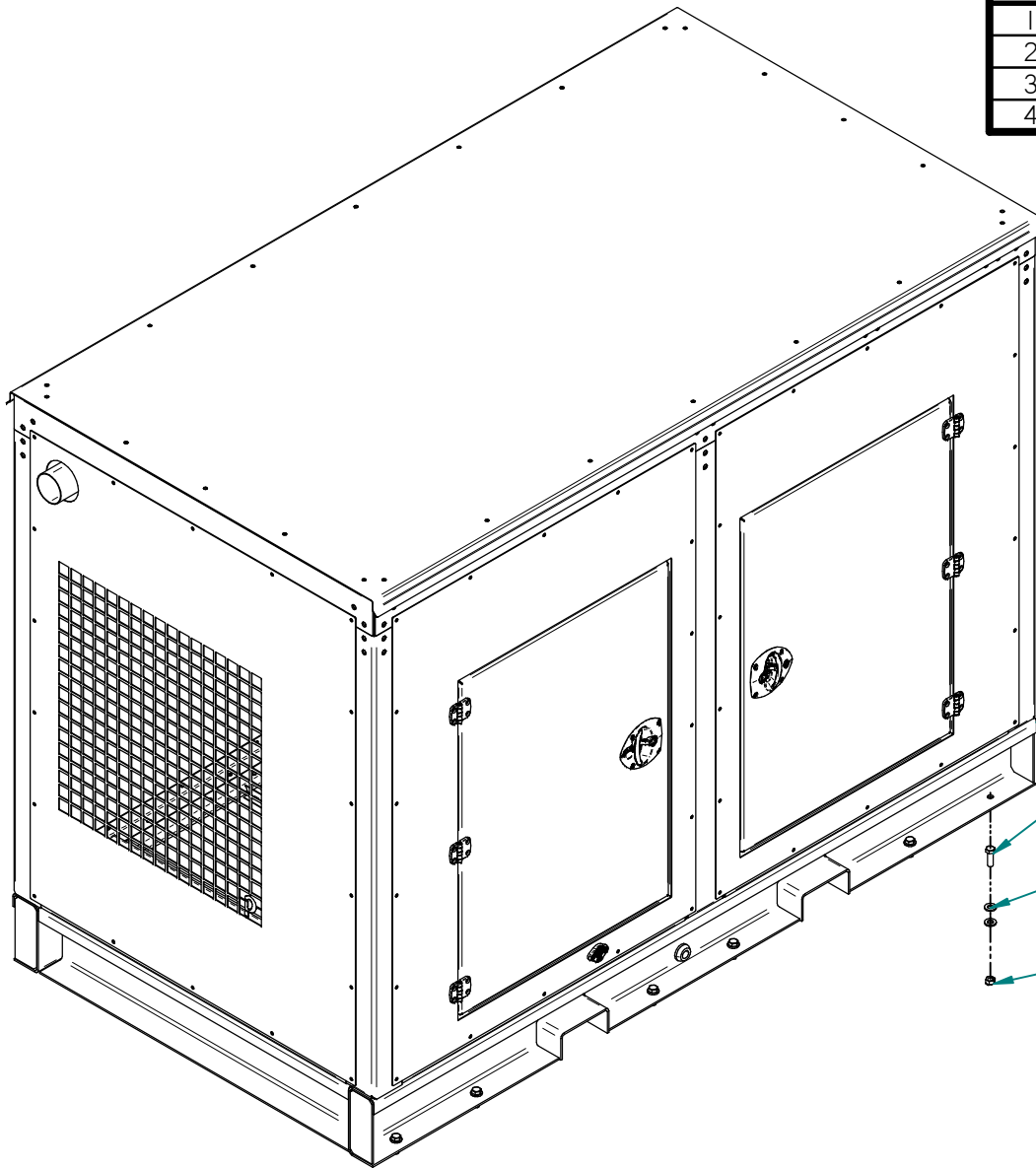
See engine's included manual for more detailed parts and operation information

- 1
- 3
- 2
- 4

70 kW GENSET W/DEUTZ DIESEL W/ENGINE MOUNTED AIR COMPRESSOR 480V 3PH

KIT400247

ITEM	PART NO.	DESCRIPTION	QTY
1	CMP401661	DEUTZ, STAMFORD GENSET 70 KW, 480V 3PH	1
2	FST100151	1/2" FLAT WASHER HARDENED	24
3	FST100191	1/2" X 1 1/2" CAP SCREW	12
4	FST100356	1/2" CRIMP NUT	12



See engine's included manual for more detailed parts and operation information



Issued 2026
DOC400110 Printed
In Canada

PhiBer Manufacturing Inc.
Box 58 Crystal City, MB
Canada R0K 0N0