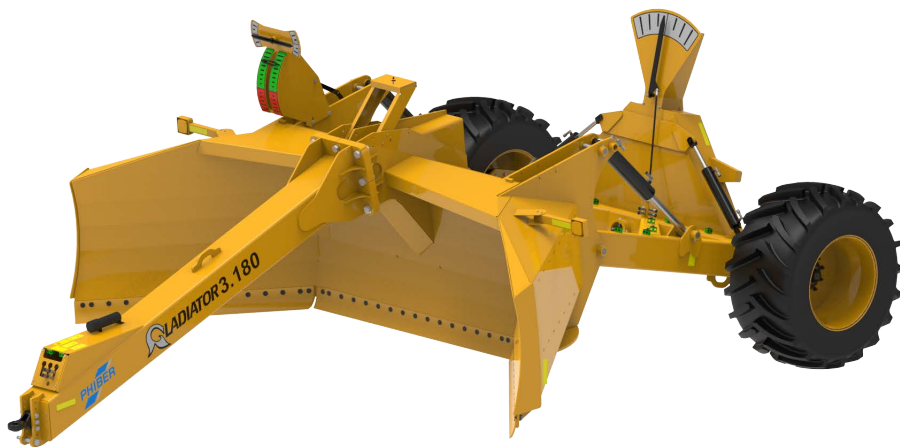


PhiBer Gladiator Scraper Blade



Model: 3.180, 3.220



INNOVATIONS FOR PROGRESSIVE PEOPLE

PARTS MANUAL

www.phiber.ca

This page is intentionally left blank

3.180 GLADIATOR	1
3.180 AXLE.....	2
3.180 BLADE.....	3
3.180 HITCH.....	4
3.180 YOKE.....	5
3.220 GLADIATOR	6
3.220 AXLE.....	7
3.220 BLADE.....	8
3.220 HITCH.....	9
3.220 YOKE.....	10
GLADIATOR LIGHT HARNESS.....	11
GLADIATOR GPS MOUNT KIT.....	12
GLADIATOR BLADE EXTENSION KIT.....	13
CATEGORY 5 GLADIATOR HITCH KIT.....	14
CATEGORY 4 GLADIATOR HITCH KIT.....	15
GLADIATOR SEMI HITCH KIT.....	16
GLADIATOR TILT BLADE KIT.....	18-19
GRADER BLADE OPTIONS.....	20-23
GLADIATOR HYDRAULIC SCHEMATIC.....	24

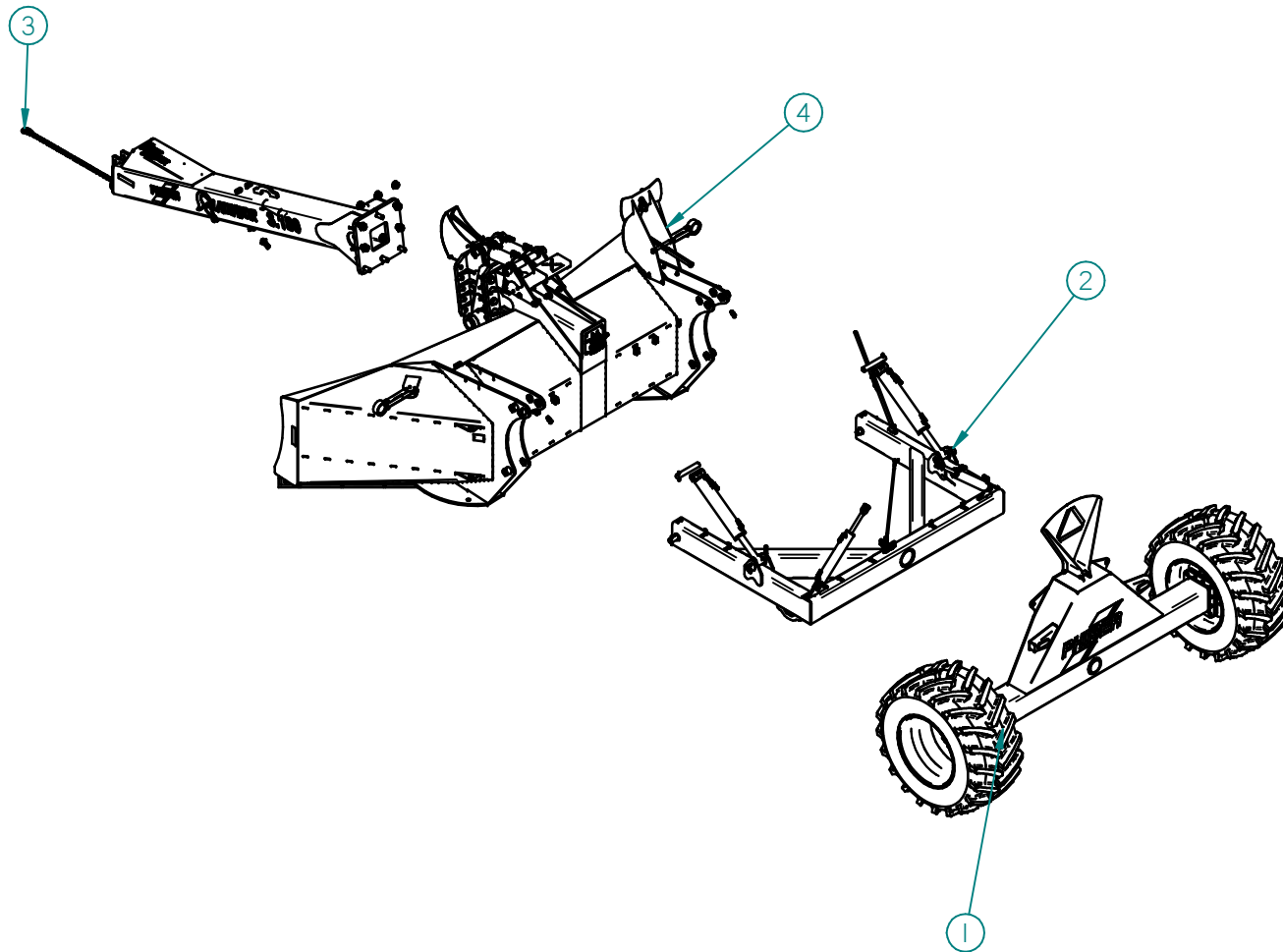
This page is intentionally left blank

3.180

GLADIATOR 3.180 MODEL (18')

WHG500003

ITEM	PART NO.	DESCRIPTION	QTY
1	ASM500002	AXLE ASSY	1
2	ASM500004	YOKE MOUNT ASSY	1
3	ASM500005	HITCH ASSY	1
4	ASM500017	BLADE ASSY	1

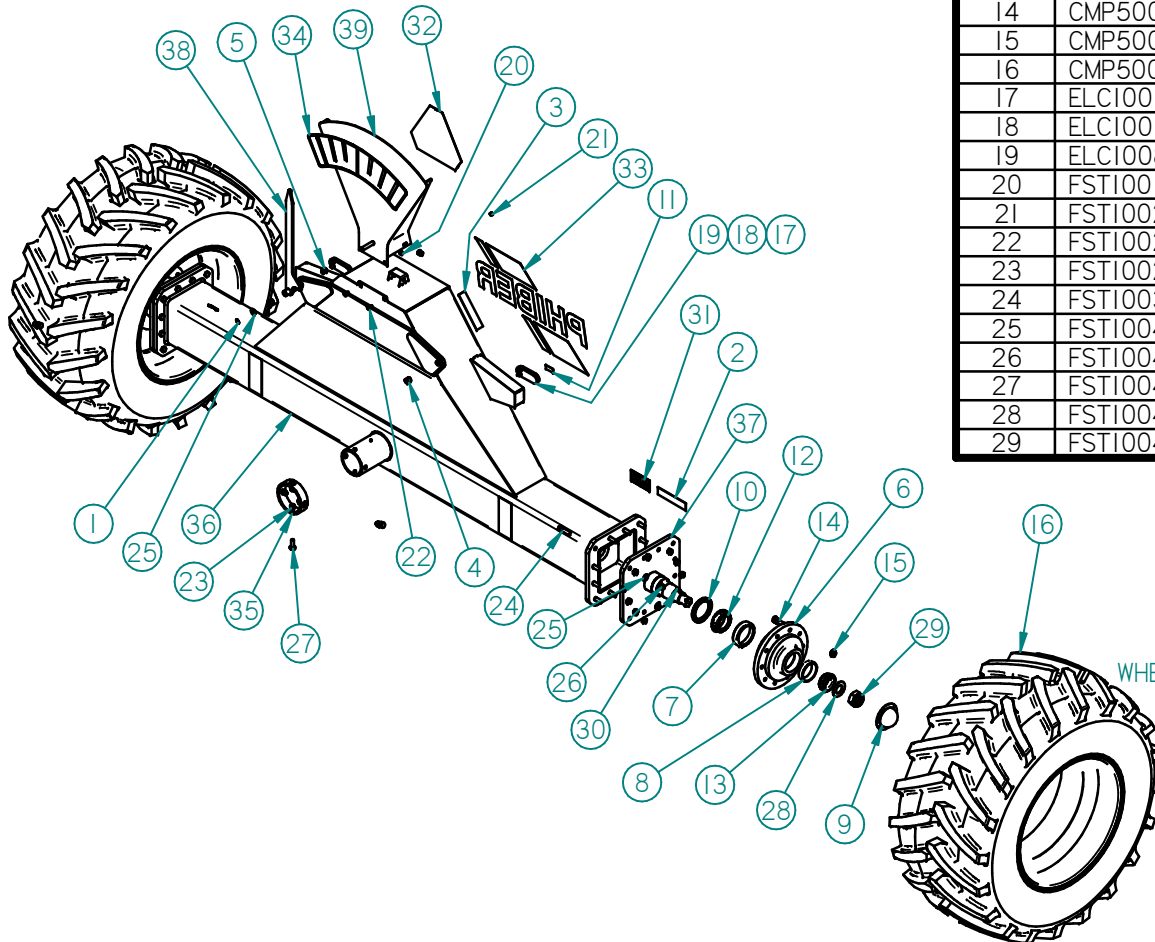


3.180

AXLE ASSY

ASM500002

ITEM	PART NO.	DESCRIPTION	QTY	ITEM	PART NO.	DESCRIPTION	QTY
30	FST100487	3/8" X 3" ROLL PIN	2	1	300338	SNAP RING EXTERNAL SS 0.75	1
31	SAF-200103	PINCH POINT HAZARD UNDER LIFT IN	2	2	CMP-100115	CONSPICUITY TAPE RED 2" X 9"	2
32	SAF200107	SLOW MOVING VEHICLE SIGN	1	3	CMP100128	CONSPICUITY TAPE AMBER 2" X 9"	2
33	SAF500008	PHIBER LOGO 20.00" X 36.23"	1	4	CMP100273	16 DU 16 PTFE BRONZE/STEEL	2
34	SAF500013	LEVEL IND DECAL	1	5	CMP400172	FLANGE BUSHING .750" X .875" X 1.000"	2
35	SAW500033	ROTATION LOCK TUBE	1	6	CMP500022	10 BOLT HOUSING, HDA1021	2
36	WLD500019	AXLE WELDT	1	7	CMP500027	RACE, HDA1021 HUB, INNER HM218210	2
37	WLD500020	SPINDLE WELDT	2	8	CMP500028	RACE, HDA1021 HUB, OUTER HM 212010	2
38	WLD500033	LEVEL IND WELDT	1	9	CMP500030	DUST CAP	2
39	WLD510011	AXLE IND WELDT	1	10	CMP500031	CR43771 SEAL	2
				11	CMP500066	DECAL GREASE	2
				12	CMP500067	BEARING, HDA1021 HUB, INNER HM218248	1
				13	CMP500068	BEARING, HDA1021 HUB, OUTER HM 212049	1
				14	CMP500069	WHEEL STUD, WB51	1
				15	CMP500070	WHEEL NUT, WB52	1
				16	CMP500087	30.5-32 TIRE 16 PLY ON 27X32 10 HOLE	2
				17	ELC100183	LIGHT, OVAL GROMMET 92420	2
				18	ELC100184	LIGHT, OVAL 3 PIN PIGTAIL 67000	2
				19	ELC100827	LIGHT, LED OVAL RED LSTL72RB	2
				20	FST100107	1/2" NUT	4
				21	FST100206	3/8" LOCKNUT	1
				22	FST100232	1/2" X 1" CARRIAGE BOLT	4
				23	FST100278	5/8" CRIMP NUT	4
				24	FST100303	3/4" X 3" CAP SCREW	24
				25	FST100404	3/4" WASHER HARDENED	2
				26	FST100405	3/4" CRIMP NUT	24
				27	FST100442	5/8" X 2" FLANGE BOLT GR8	4
				28	FST100466	2" SAE FLAT WASHER	2
				29	FST100486	2-12 UN SLOTTED NUT	2



WHEEL BOLT TORQUE: 462 FTLB

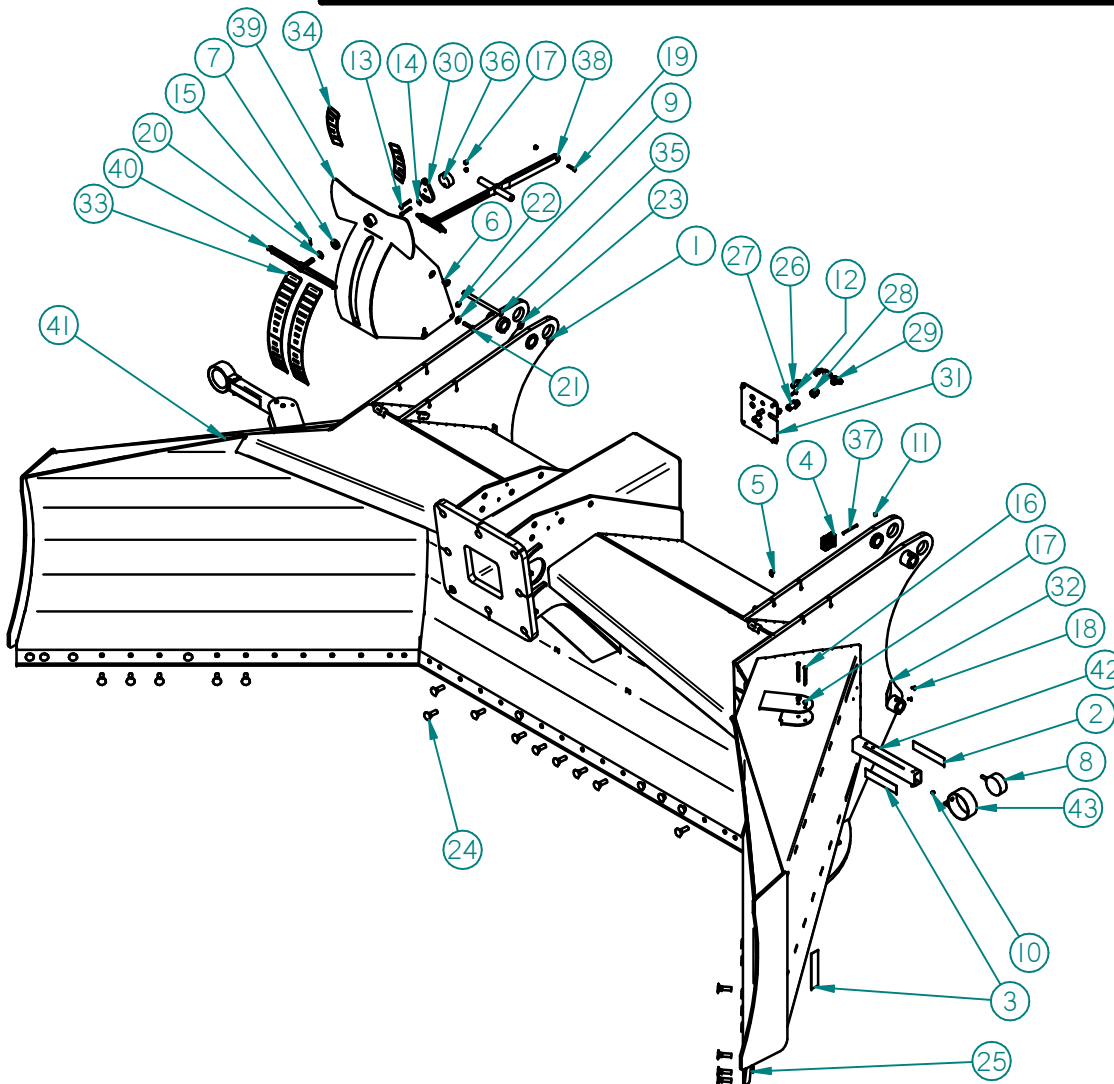
3.180

BLADE ASSY

ASM500003

ITEM	PART NO.	DESCRIPTION	QTY
37	SAW500107	5/16 X 4 STUD	2
38	WLD500056	HEIGHT IND WELDT	1
39	WLD500057	HORIZON IND WELDT	1
40	WLD500060	HORIZON IND WELDT	1
41	WLD500066	18' BLADE WELDMENT	1
42	WLD500068	LIGHT POST WELDT GEN 2	2
43	WLD500069	LIGHT COVER WELDT GEN 2	2

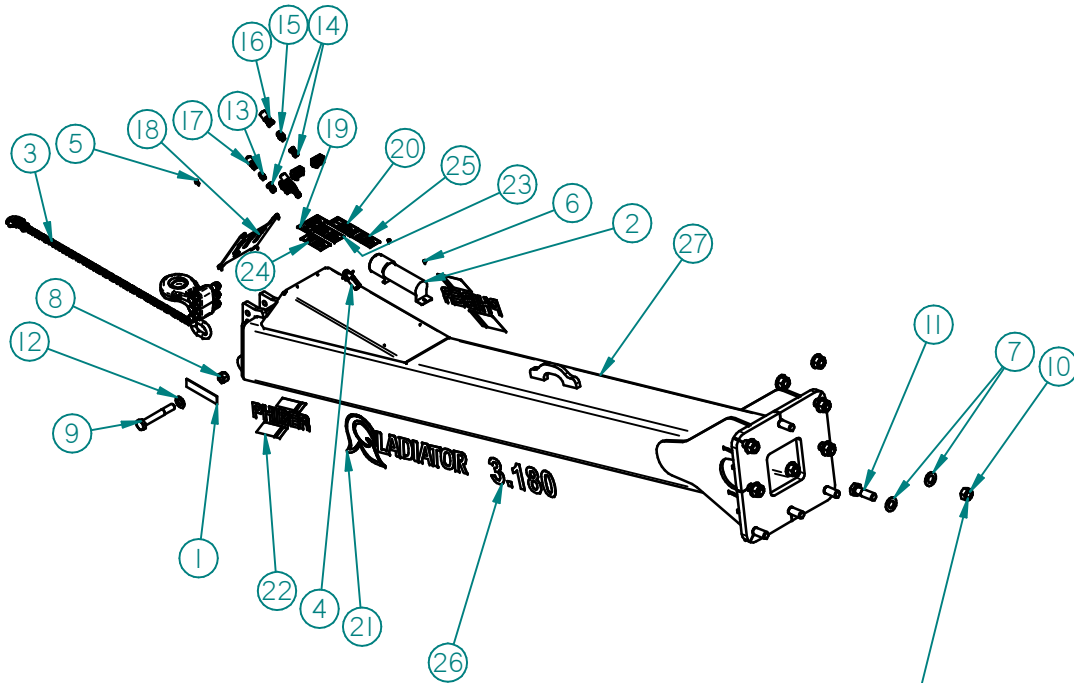
ITEM	PART NO.	DESCRIPTION	QTY
1	300338	SNAP RING EXTERNAL SS 0.75	2
2	CMP-100115	CONSPICUITY TAPE RED 2" X 9"	2
3	CMP100128	CONSPICUITY TAPE AMBER 2" X 9"	4
4	CMP100280	HOSE CLAMP CAP	1
5	CMP100319	3/8" P-CLIP	2
6	CMP400172	FLANGE BUSHING .750" X .875" X	2
7	CMP500065	0.688" HEX BORE BALL BEARING	2
8	ELCI00856	LIGHT, ROUND AMBER/AMBER	2
9	FST100106	1/2" FLAT WASHER	8
10	FST100135	1/4" LOCK NUT	4
11	FST100139	5/16" NUT	4
12	FST100141	3/8" X 1" CAP SCREW	4
13	FST100144	3/8" X 2 1/2" CAP SCREW	2
14	FST100150	3/8" FLAT WASHER	1
15	FST100155	1/4" X 1 1/2" ROLL PIN	1
16	FST100200	3/8" X 4" CAP SCREW	4
17	FST100206	3/8" LOCKNUT	7
18	FST100228	POP RIVET STEEL 3/16 X 1/2 X 5/8	2
19	FST100281	3/8" X 1 3/4" BOLT	1
20	FST100304	3/4" FLAT WASHER	2
21	FST100317	1/2" X 2 1/4" BOLT	4
22	FST100356	1/2" CRIMP NUT	4
23	FST100404	3/4" WASHER HARDENED	2
24	FST100483	3/4 X 2 3/4 PLOW BOLT GR8	31
25	FST100488	3/4" NUT GR8	31
26	HYDI00392	ST BULKHEAD 08 MJIC X 08 MJIC	2
27	HYDI00393	ST BULKHEAD 12 MJIC X 12 MJIC	2
28	HYDI00550	ST ADAPTER 12 FJIC X 08 MJIC	2
29	HYDI00683	ST TEE BRANCH 08 MJIC X 08 FJIC	2
30	PCT500280	WEIGHT PLATE	1
31	PCT500329	TUBE CLOSING PLATE	1
32	SAF100100	SERIAL NUMBER PLATE	1
33	SAF500012	HEIGHT IND DECAL	2
34	SAF500014	HORIZON IND DECAL	2
35	SAW500064	HEIGHT LINKAGE PIVOT SHAFT	1
36	SAW500067	WEIGHT SHAFT	1



3.180

HITCH ASSY

ASM500005



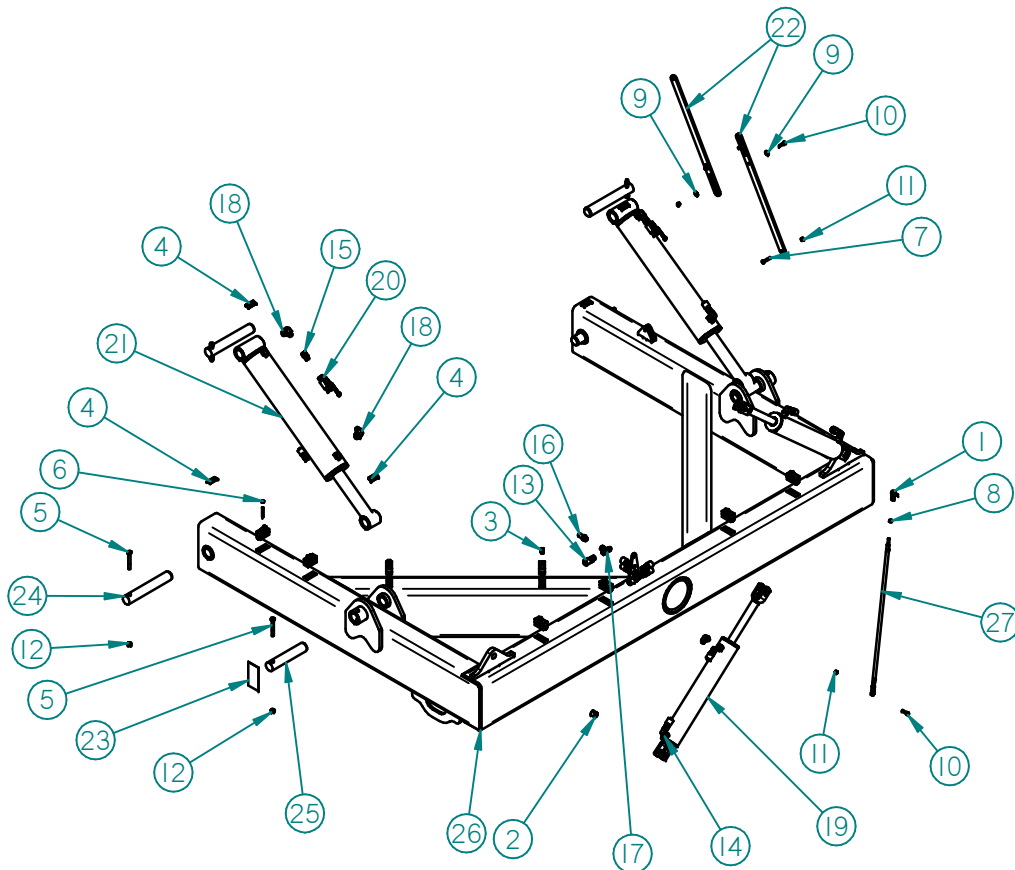
ITEM	PART NO.	DESCRIPTION	QTY
1	CMP100128	CONSPICUITY TAPE AMBER 2" X 9"	2
2	CMP100313	MANUAL CANISTER	1
3	CMP500034	SAFETY CHAIN, 3/8"x 50"LG.	1
4	ELCI00530	LIGHT HARNESS 18' GLADIATOR	1
5	FST100140	3/8" X 3/4" CAP SCREW	4
6	FST100228	POP RIVET STEEL 3/16 X 1/2 X 5/8	2
7	FST100313	1 1/2" HARDENED WASHER	16
8	FST100321	1 1/4" LOCK NUT	1
9	FST100351	1 1/4" X 9" GR 8 BOLT	1
10	FST100478	1 1/2-12 NF LOCK NUT	8
11	FST100479	1 1/2" X 5" NF CAP SCREW GR8	8
12	FST100726	1 1/4" HARDENED WASHER F436	1
13	HYDI00334	ST ADAPTER 08 MJIC X 08 MORB	2
14	HYDI00487	ST ADAPTER 08 MPNR X 08 FORB	4
15	HYDI00625	ST ADAPTER 12 MJIC X 08 MORB	2
16	HYDI00675	ST ADAPTER 08 MNPT X 08 FJIC	1
17	HYDI00676		1
18	PCT500046	HYD STORAGE PLATE	1
19	SAF-200103	PINCH POINT HAZARD UNDER LIFT IN	1
20	SAF200104	READ SAFETY MANUAL	1
21	SAF500002	GLADIATOR DECAL	2
22	SAF500007	PHIBER LOGO 10.00" X 17.88"	2
23	SAF500015	SPEED LIMIT DECAL	1
24	SAF500016	HYDRAULIC SAFETY DECAL	1
25	SAF500017	DIG SAFETY DECAL	1
26	SAF500021	18' GLADIATOR MODEL DECAL GEN 3	2
27	WLD500052	SCRAPER HITCH WELDT	1

TORQUE 1800 FTLB

3.180

YOKE ASSY

ASM500004



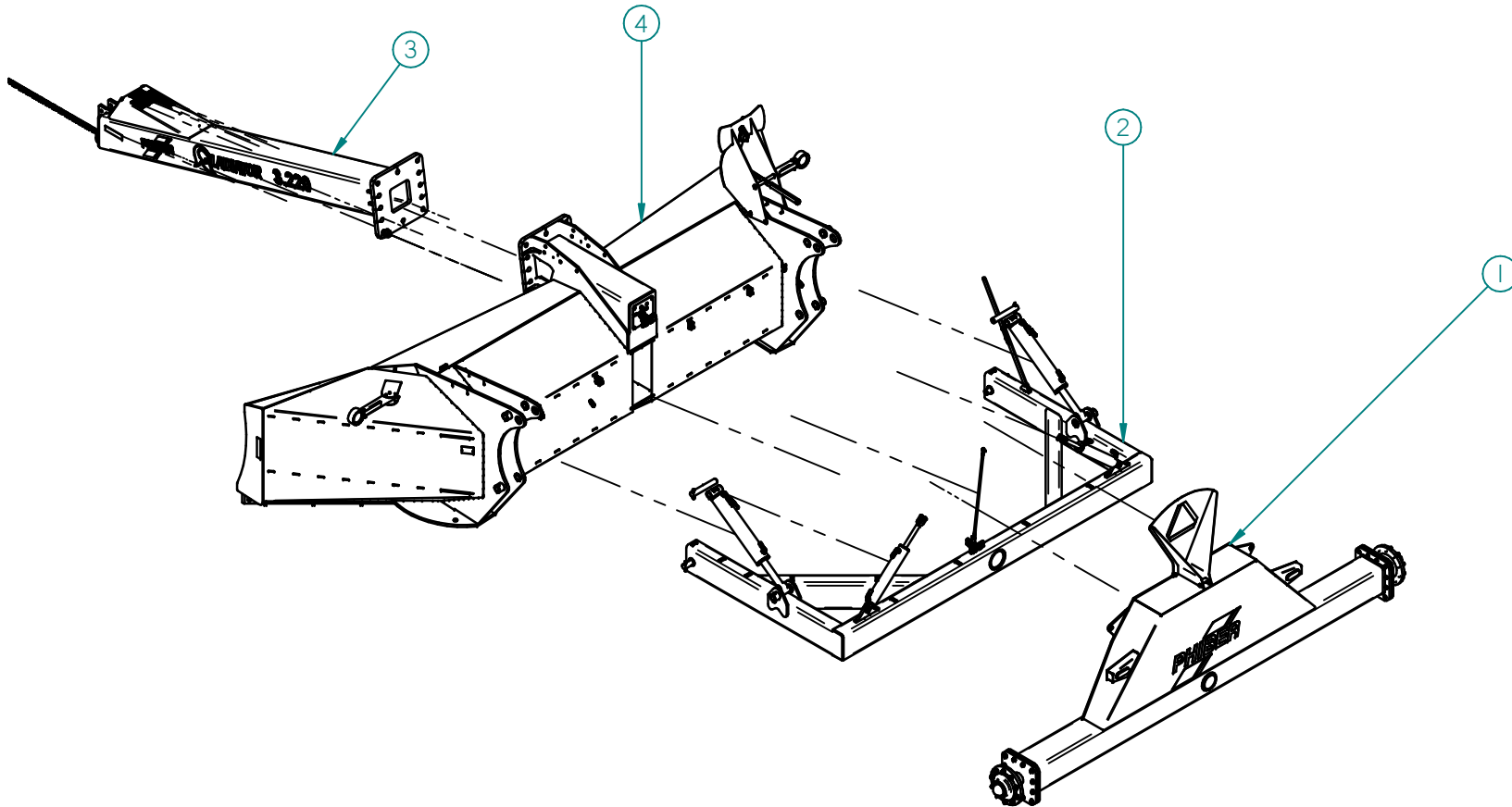
ITEM	PART NO.	DESCRIPTION	QTY
1	CMP-100253	3/8 SEALMASTER ROD END TF-6	2
2	CMPI00273	16 DU 16 PTFE BRONZE/STEEL	2
3	CMPI00319	3/8" P-CLIP	4
4	CMP500066	DECAL GREASE	5
5	FST100103	1/2" x 4" CAP SCREW	6
6	FST100139	5/16" NUT	8
7	FST100143	3/8" X 2" CAP SCREW	1
8	FST100148	3/8" NUT	2
9	FST100150	3/8" FLAT WASHER	4
10	FST100201	3/8" X 1 1/2" CAP SCREW	4
11	FST100206	3/8" LOCKNUT	4
12	FST100356	1/2" CRIMP NUT	6
13	HYDI00307	ST ADAPTER 08 CRIMP X 08 FJIC	12
14	HYDI00337	ST ELBOW 90 DEG 08 MJIC X 08	4
15	HYDI00365	ST ADAPTER 08 MORB X 08 FJIC	2
16	HYDI00392	ST BULKHEAD 08 MJIC X 08 MJIC	2
17	HYDI00683	ST TEE BRANCH 08 MJIC X 08 FJIC	2
18	HYDI00687	ST ELBOW 90 DEG 08 MJIC X 12	4
19	HYDI00822	CYL 3.5 X 20	2
20	HYDI00825	ST VALVE BALL 08 FORB X 08 FORB	2
21	HYD500009	CYL 5 X 24	2
22	PCT500283	HEIGHT LINK PLATE	2
23	SAF200112	HYDRAULIC LOCKOUT DECAL	2
24	SAW500036	BLADE FRAME PIN	4
25	SAW500095	HEIGHT CYL PIN	2
26	WLD500003	YOKE MOUNT WELDT	1
27	WLD500034	LEVEL ADJ WELDT	1

3.220

GLADIATOR 3.220 MODEL (22')

WHG500004

ITEM	PART NO.	DESCRIPTION	QTY
1	ASM500008	AXLE ASSY	1
2	ASM500010	YOKE MOUNT ASSY	1
3	ASM500011	HITCH ASSY	1
4	ASM500020	BLADE ASSY 22'	1



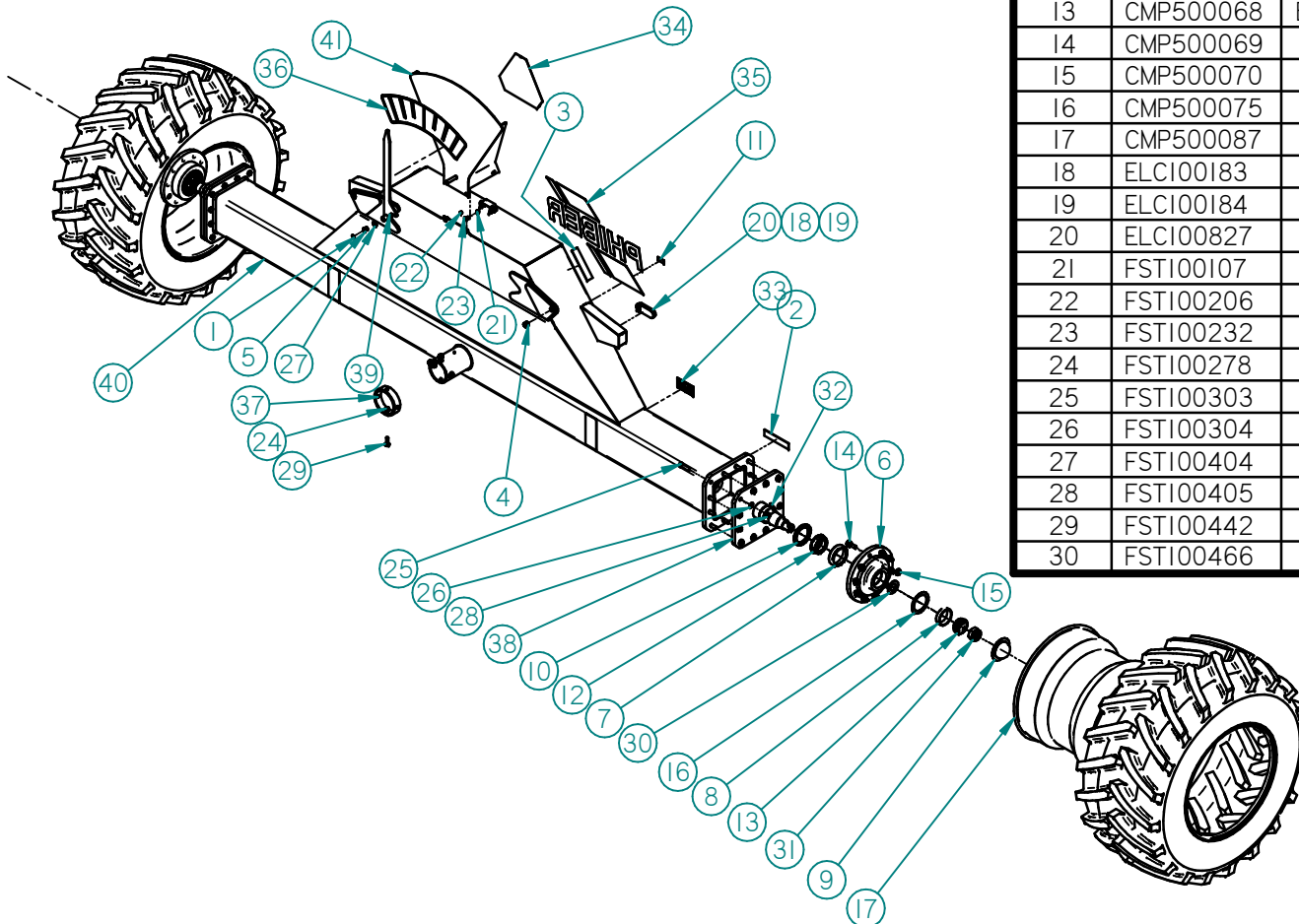
3.220

AXLE ASSY

ASM500008

ITEM	PART NO.	DESCRIPTION	QTY
31	FST100486	2-12 UN SLOTTED NUT	2
32	FST100487	3/8" X 3" ROLL PIN	2
33	SAF-200103	PINCH POINT HAZARD UNDER LIFT IN	2
34	SAF200107	SLOW MOVING VEHICLE SIGN	1
35	SAF500008	PHIBER LOGO 20.00" X 36.23"	1
36	SAF500013	LEVEL IND DECAL	1
37	SAW500033	ROTATION LOCK TUBE	1
38	WLD500020	SPINDLE WELDT	2
39	WLD500033	LEVEL IND WELDT	1
40	WLD500043	AXLE WELDT	1
41	WLD500053	AXLE IND WELDT	1

ITEM	PART NO.	DESCRIPTION	QTY
1	300338	SNAP RING EXTERNAL SS 0.75	1
2	CMP-100115	CONSPICUITY TAPE RED 2" X 9"	2
3	CMP100128	CONSPICUITY TAPE AMBER 2" X 9"	2
4	CMP100273	16 DU 16 PTFE BRONZE/STEEL	2
5	CMP400172	FLANGE BUSHING .750" X .875" X 1.000"	2
6	CMP500022	10 BOLT HOUSING, HD1021	2
7	CMP500027	RACE, HDA1021 HUB, INNER HM218210	2
8	CMP500028	RACE, HDA1021 HUB, OUTER HM 212010	2
9	CMP500030	DUST CAP	2
10	CMP500031	CR43771 SEAL	2
11	CMP500066	DECAL GREASE	1
12	CMP500067	BEARING, HDA1021 HUB, INNER HM218248	2
13	CMP500068	BEARING, HDA1021 HUB, OUTER HM 212049	2
14	CMP500069	WHEEL STUD, WB51	20
15	CMP500070	WHEEL NUT, WB52	20
16	CMP500075	DUST CAP SEAL SE-59	2
17	CMP500087	30.5-32 TIRE 16 PLY ON 27X32 10 HOLE	2
18	ELCI00183	LIGHT, OVAL GROMMET 92420	2
19	ELCI00184	LIGHT, OVAL 3 PIN PIGTAIL 67000	2
20	ELCI00827	LIGHT, LED OVAL RED LSTL72RB	2
21	FST100107	1/2" NUT	4
22	FST100206	3/8" LOCKNUT	1
23	FST100232	1/2" X 1" CARRIAGE BOLT	4
24	FST100278	5/8" CRIMP NUT	4
25	FST100303	3/4" X 3" CAP SCREW	24
26	FST100304	3/4" FLAT WASHER	24
27	FST100404	3/4" WASHER HARDENED	1
28	FST100405	3/4" CRIMP NUT	24
29	FST100442	5/8" X 2" FLANGE BOLT GR8	4
30	FST100466	2" SAE FLAT WASHER	2



WHEEL BOLT TORQUE: 462 FTLB

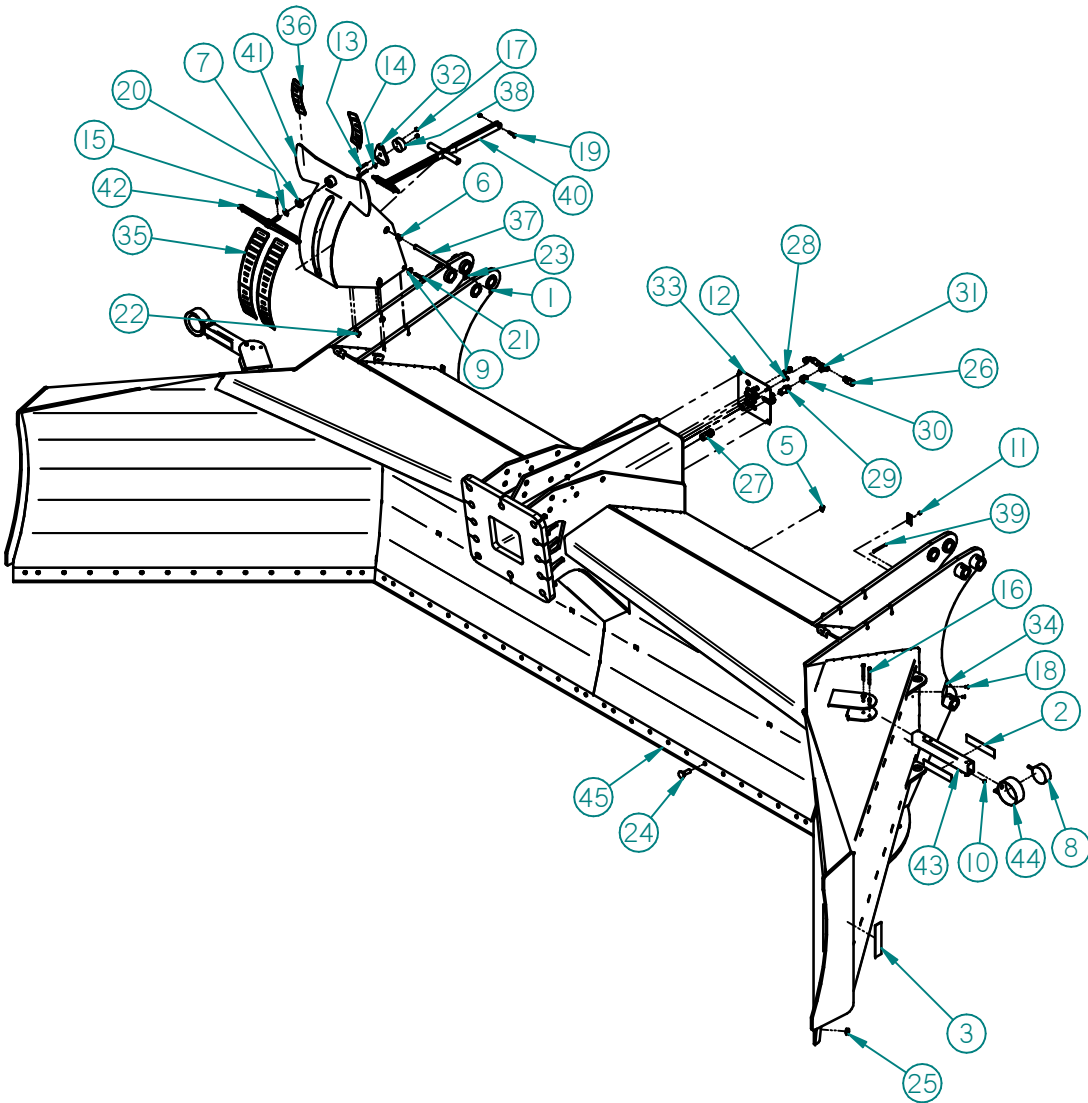
3.220

BLADE ASSY

ASM500009

ITEM	PART NO.	DESCRIPTION	QTY
42	WLD500060	HORIZON IND WELDT	1
43	WLD500068	LIGHT POST WELDT GEN 2	2
44	WLD500069	LIGHT COVER WELDT GEN 2	2
45	WLD500082	22' BLADE WELDMNT	1

ITEM	PART NO.	DESCRIPTION	QTY
1	300338	SNAP RING EXTERNAL SS 0.75	2
2	CMP-100115	CONSPICUITY TAPE RED 2" X 9"	2
3	CMPI00128	CONSPICUITY TAPE AMBER 2" X 9"	4
5	CMPI00319	3/8" P-CLIP	2
6	CMP400172	FLANGE BUSHING .750" X .875" X	2
7	CMP500065	0.688" HEX BORE BALL BEARING	2
8	ELCI00856	LIGHT, ROUND AMBER/AMBER	2
9	FSTI00106	1/2" FLAT WASHER	5
10	FSTI00135	1/4" LOCK NUT	4
11	FSTI00139	5/16" NUT	4
12	FSTI00141	3/8" X 1" CAP SCREW	4
13	FSTI00144	3/8" X 2 1/2" CAP SCREW	2
14	FSTI00150	3/8" FLAT WASHER	1
15	FSTI00155	1/4" X 1 1/2" ROLL PIN	1
16	FSTI00200	3/8" X 4" CAP SCREW	4
17	FSTI00206	3/8" LOCKNUT	7
18	FSTI00228	POP RIVET STEEL 3/16 X 1/2 X 5/8	2
19	FSTI00281	3/8" X 1 3/4" BOLT	1
20	FSTI00304	3/4" FLAT WASHER	2
21	FSTI00317	1/2" X 2 1/4" BOLT	4
22	FSTI00356	1/2" CRIMP NUT	4
23	FSTI00404	3/4" WASHER HARDENED	2
24	FSTI00483	3/4 X 2 3/4 PLOW BOLT GR8	1
25	FSTI00488	3/4" NUT GR8	31
26	HYDI00307	ST ADAPTER 08 CRIMP X 08 FJIC	6
27	HYDI00312	ST ADAPTER 10 CRIMP X 12 FJIC	2
28	HYDI00392	ST BULKHEAD 08 MJIC X 08 MJIC	2
29	HYDI00393	ST BULKHEAD 12 MJIC X 12 MJIC	2
30	HYDI00550	ST ADAPTER 12 FJIC X 08 MJIC	2
31	HYDI00683	ST TEE BRANCH 08 MJIC X 08 FJIC	2
32	PCT500280	WEIGHT PLATE	1
33	PCT500329	TUBE CLOSING PLATE	1
34	SAFI00100	SERIAL NUMBER PLATE	1
35	SAF500012	HEIGHT IND DECAL	2
36	SAF500014	HORIZON IND DECAL	2
37	SAW500064	HEIGHT LINKAGE PIVOT SHAFT	1
38	SAW500067	WEIGHT SHAFT	1
39	SAW500107	5/16 X 4 STUD	2
40	WLD500056	HEIGHT IND WELDT	1
41	WLD500057	HORIZON IND WELDT	1

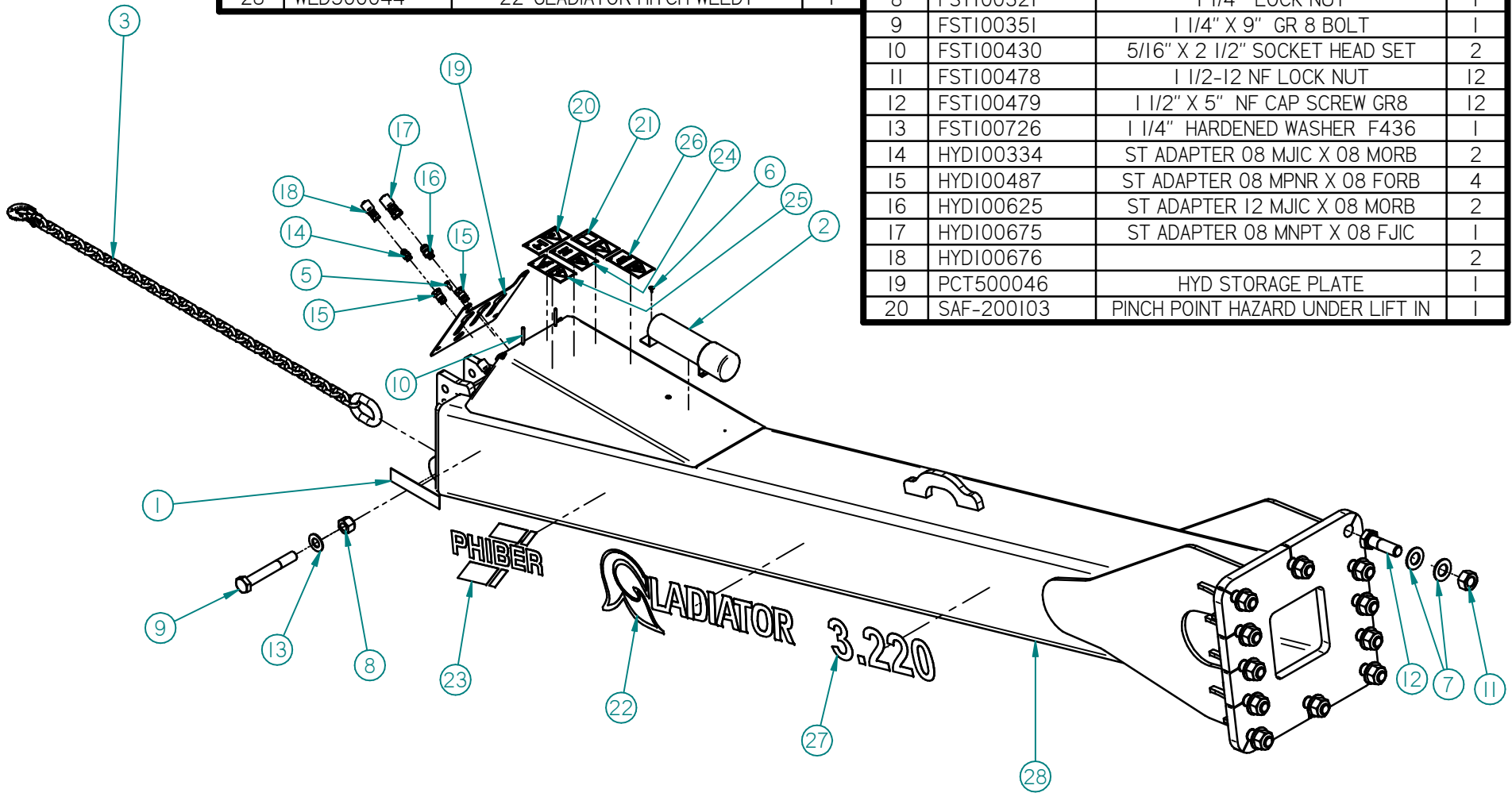


3.220

HITCH ASSY

ASM500011

ITEM	PART NO.	DESCRIPTION	QTY	ITEM	PART NO.	DESCRIPTION	QTY
21	SAF200104	READ SAFETY MANUAL	1	1	CMPI00128	CONSPICUITY TAPE AMBER 2" X 9"	2
22	SAF500002	GLADIATOR DECAL	2	2	CMPI00313	MANUAL CANISTER	1
23	SAF500007	PHIBER LOGO 10.00" X 17.88"	2	3	CMP500073	SAFETY CHAIN, 1/2"x 5' LG.	1
24	SAF500015	SPEED LIMIT DECAL	1	4*	FST100139	5/16" NUT	2
25	SAF500016	HYDRAULIC SAFETY DECAL	1	5	FST100140	3/8" X 3/4" CAP SCREW	4
26	SAF500017	DIG SAFETY DECAL	1	6	FST100228	POP RIVET STEEL 3/16 X 1/2 X 5/8	2
27	SAF500022	22' GLADIATOR MODEL DECAL GEN 3	2	7	FST100313	1 1/2" HARDENED WASHER	24
28	WLD500044	22' GLADIATOR HITCH WELDT	1	8	FST100321	1 1/4" LOCK NUT	1
				9	FST100351	1 1/4" X 9" GR 8 BOLT	1
				10	FST100430	5/16" X 2 1/2" SOCKET HEAD SET	2
				11	FST100478	1 1/2-12 NF LOCK NUT	12
				12	FST100479	1 1/2" X 5" NF CAP SCREW GR8	12
				13	FST100726	1 1/4" HARDENED WASHER F436	1
				14	HYD100334	ST ADAPTER 08 MJIC X 08 MORB	2
				15	HYD100487	ST ADAPTER 08 MPNR X 08 FORB	4
				16	HYD100625	ST ADAPTER 12 MJIC X 08 MORB	2
				17	HYD100675	ST ADAPTER 08 MNPT X 08 FJIC	1
				18	HYD100676		2
				19	PCT500046	HYD STORAGE PLATE	1
				20	SAF-200103	PINCH POINT HAZARD UNDER LIFT IN	1

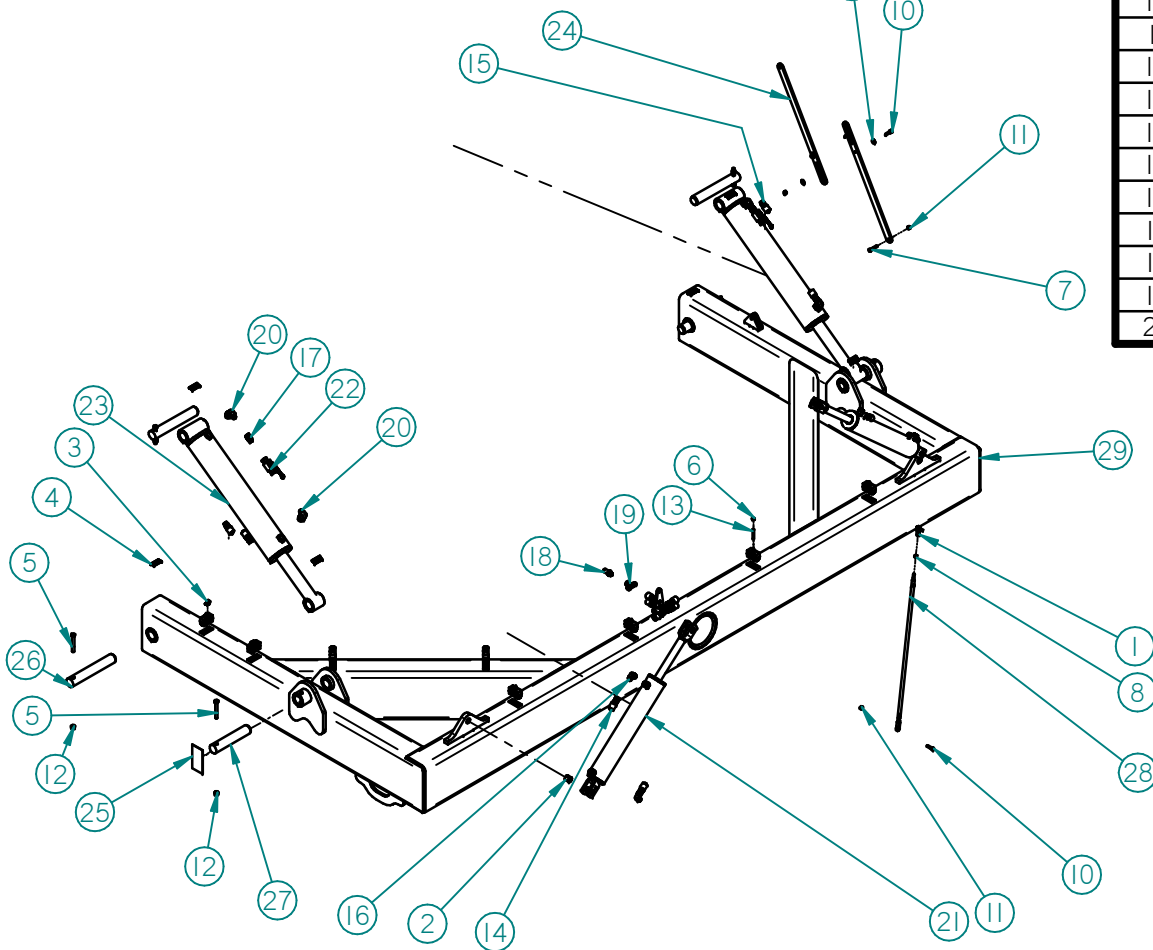


3.220

YOKE ASSY

ASM500010

ITEM	PART NO.	DESCRIPTION	QTY	ITEM	PART NO.	DESCRIPTION	QTY
21	HYDI00822	CYL 3.5 X 20	2	1	CMP-100253	3/8 SEALMASTER ROD END TF-6	2
22	HYDI00825	ST VALVE BALL 08 FORB X 08 FORB	2	2	CMPI00273	16 DU 16 PTFE BRONZE/STEEL	2
23	HYD500009	CYL 5 X 24	2	3	CMPI00319	3/8" P-CLIP	4
24	PCT500283	HEIGHT LINK PLATE	2	4	CMP500066	DECAL GREASE	6
25	SAF200112	HYDRAULIC LOCKOUT DECAL	2	5	FSTI00103	1/2" x 4" CAP SCREW	6
26	SAW500036	BLADE FRAME PIN	4	6	FSTI00139	5/16" NUT	8
27	SAW500095	HEIGHT CYL PIN	2	7	FSTI00143	3/8" X 2" CAP SCREW	1
28	WLD500034	LEVEL ADJ WELDT	1	8	FSTI00148	3/8" NUT	2
29	WLD500042	YOKE MOUNT WELDT	1	9	FSTI00150	3/8" FLAT WASHER	4
				10	FSTI00201	3/8" X 1 1/2" CAP SCREW	4
				11	FSTI00206	3/8" LOCKNUT	4
				12	FSTI00356	1/2" CRIMP NUT	6
				13	FSTI00430	5/16" X 2 1/2" SOCKET HEAD SET	8
				14	HYDI00307	ST ADAPTER 08 CRIMP X 08 FJIC	12
				15	HYDI00320	ST ADAPTER 08 CRIMP X 08 MORB	2
				16	HYDI00337	ST ELBOW 90 DEG 08 MJIC X 08	4
				17	HYDI00365	ST ADAPTER 08 MORB X 08 FJIC	2
				18	HYDI00392	ST BULKHEAD 08 MJIC X 08 MJIC	2
				19	HYDI00683	ST TEE BRANCH 08 MJIC X 08 FJIC	2
				20	HYDI00687	ST ELBOW 90 DEG 08 MJIC X 12	4

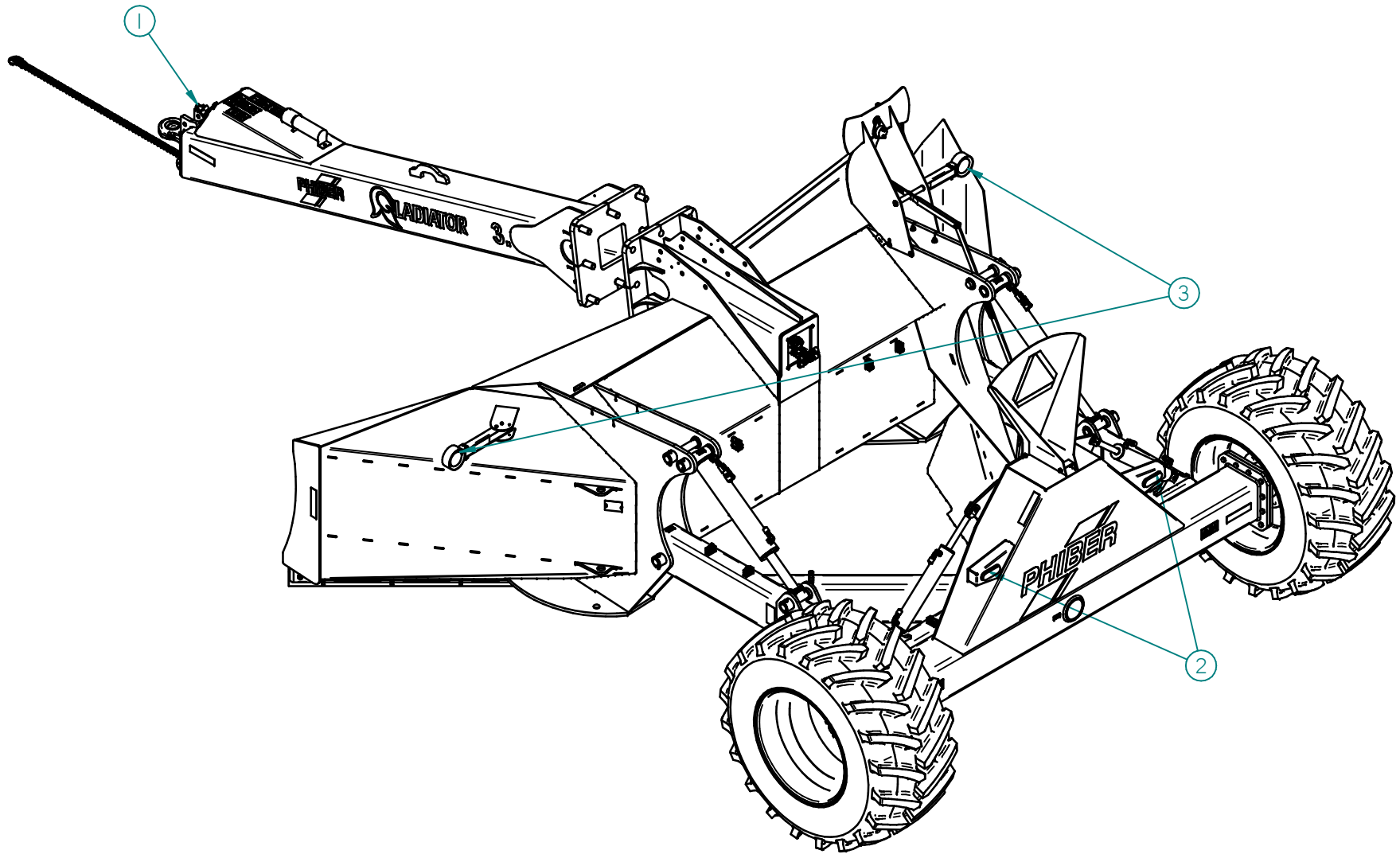


3.180 / 2.220

LIGHT HARNESS 18' GLADIATOR

ELCI00530

ITEM	PART NO.	DESCRIPTION	QTY
1	ELC-100106	7 PIN TRAILER PLUG	1
2	ELCI00827	LIGHT, LED OVAL RED LSTL72RB	2
3	ELCI00856	LIGHT, ROUND AMBER/AMBER	2

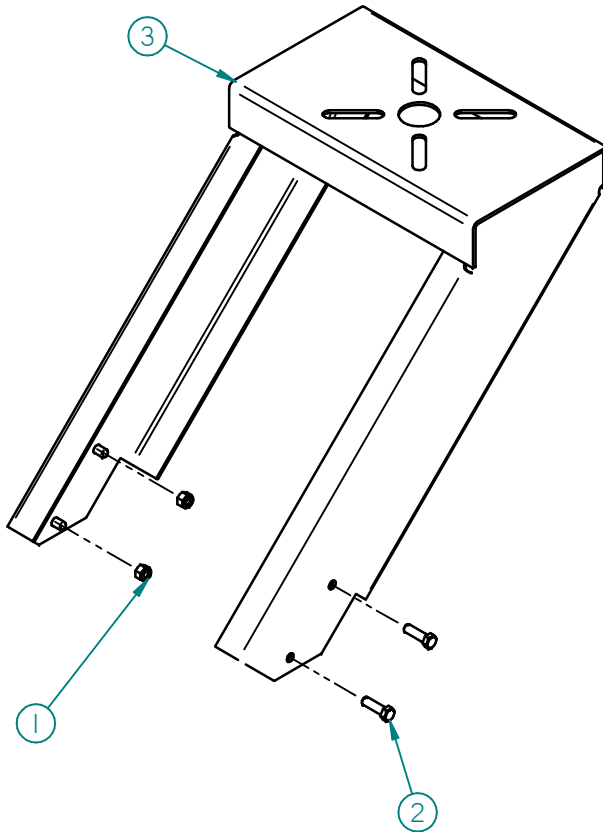


3.180 / 2.220

GPS MOUNT KIT

KIT500006

ITEM	PART NO.	DESCRIPTION	QTY
1	FST100206	3/8" LOCKNUT	4
2	FST100241	3/8" X 1 1/4" CAP SCREW	4
3	WLD500054	GPS MOUNT WELDT	1

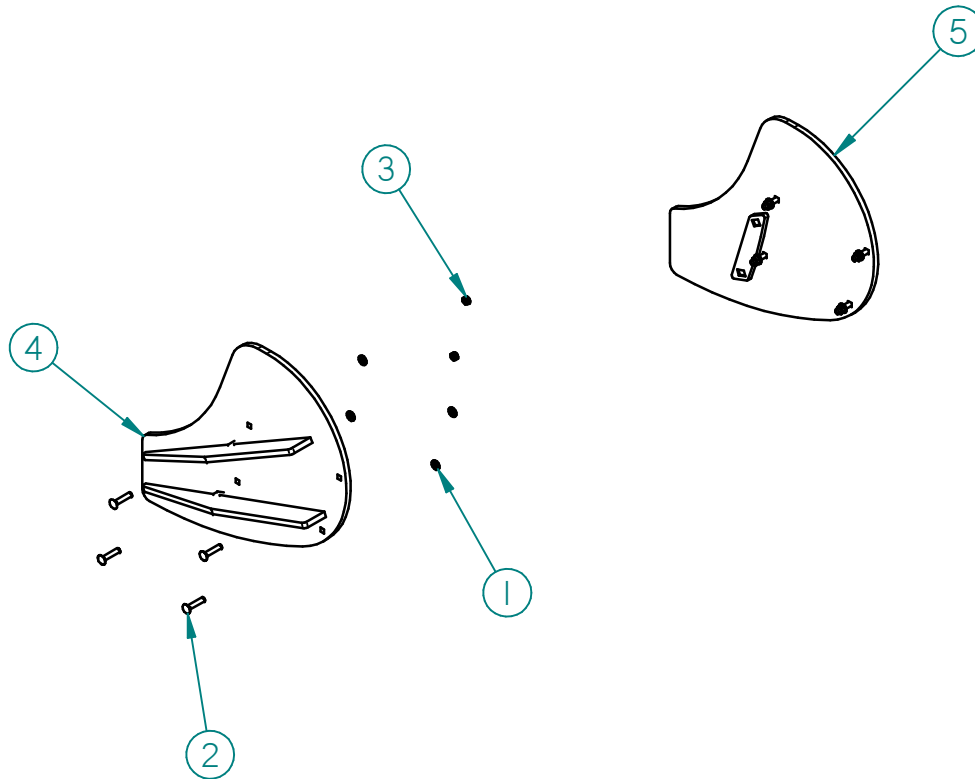


3.180 / 3.220

BLADE EXTENSION

KIT500007

ITEM	PART NO.	DESCRIPTION	QTY
1	FST100151	1/2" FLAT WASHER HARDENED	8
2	FST100346	1/2" X 2 1/2" CARRIAGE BOLT	8
3	FST100356	1/2" CRIMP NUT	8
4	WLD500055	BLADE EXTENSION LH	1
5	WLD500058	BLADE EXTENSION RH	1

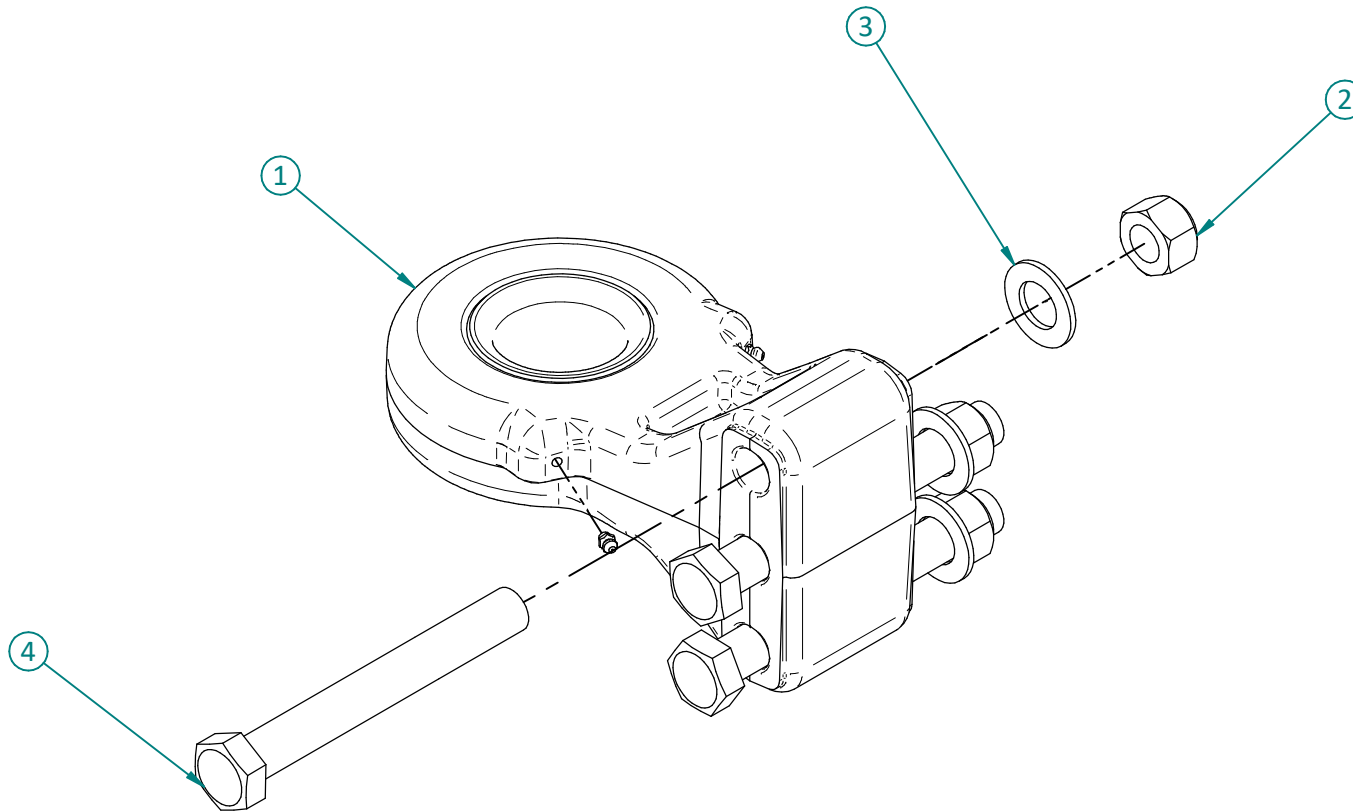


3.180 / 3.220

CAT 5 HITCH KIT

KIT500001

ITEM	PART NO.	DESCRIPTION	QTY
1	CMP500018	CATEGORY 5 HITCH, 3 HOLE	1
2	FSTI00245	1" LOCKNUT	3
3	FSTI00262	1" HARDENED WASHER F436	3
4	FSTI00932	1" X 8" GR8 BOLT	3

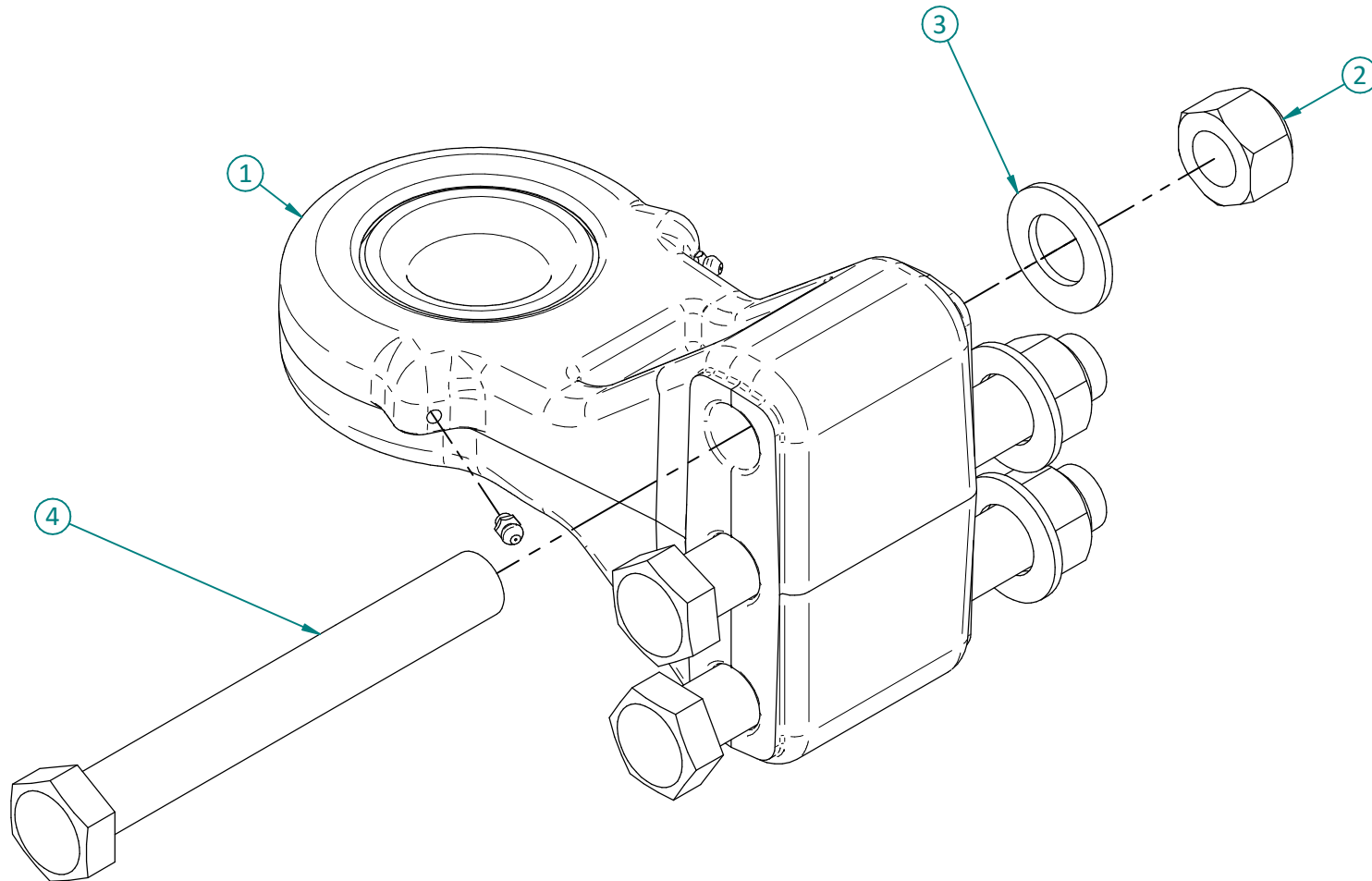


3.180 / 3.220

CAT 4 HITCH KIT

KIT500002

ITEM	PART NO.	DESCRIPTION	QTY
1	CMP500015	CATEGORY 4 HITCH, 3 HOLE	1
2	FST100245	1" LOCKNUT	3
3	FST100262	1" HARDENED WASHER F436	3
4	FST100932	1" X 8" GR8 BOLT	3

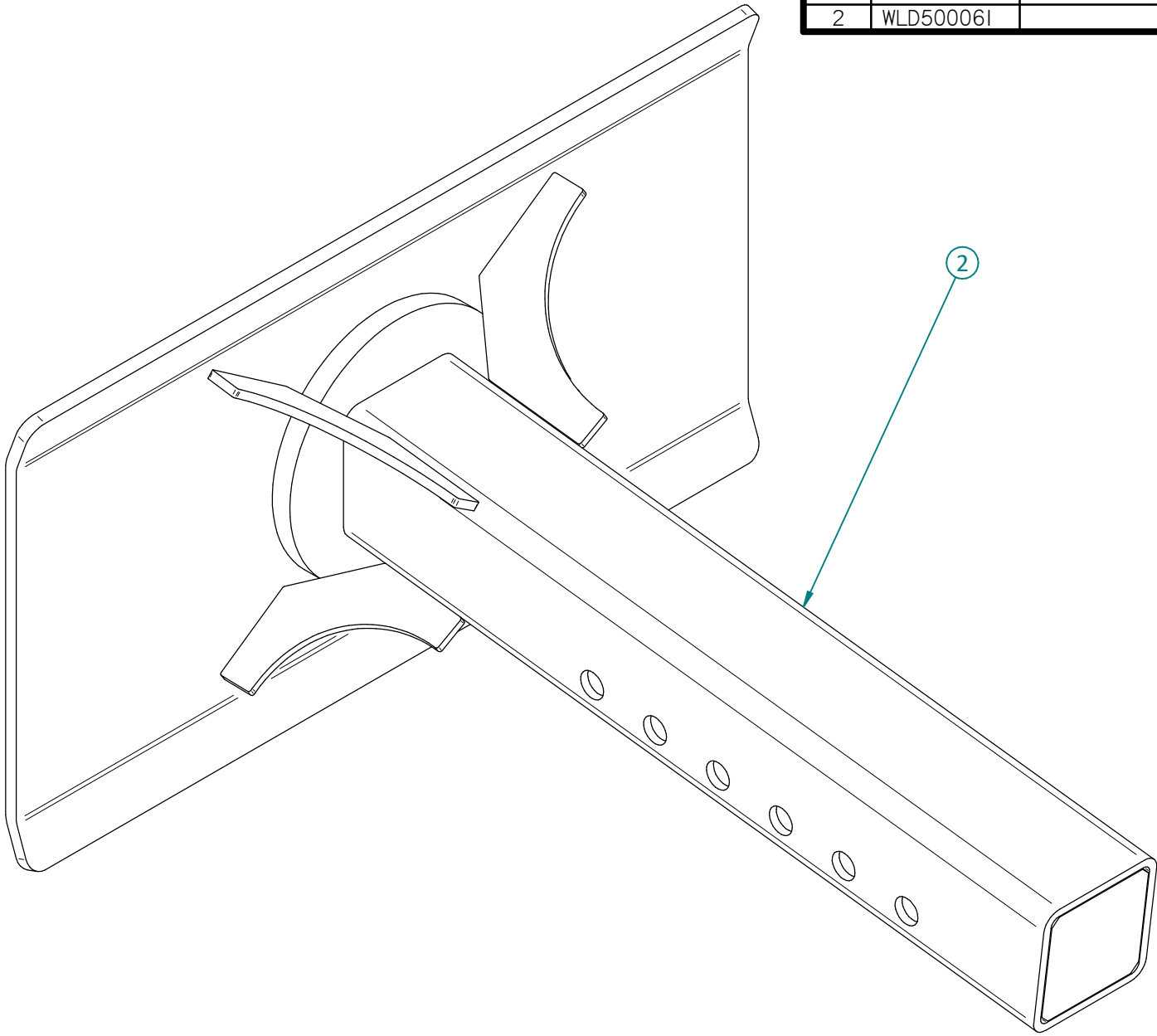


3.180 / 3.220

SEMI HITCH KIT

KIT500008

ITEM	PART NO.	DESCRIPTION	QTY
1*	ELCI00789	6' TRAILER LIGHT EXT HARNESS	1
2	WLD500061	KING PIN HITCH	1

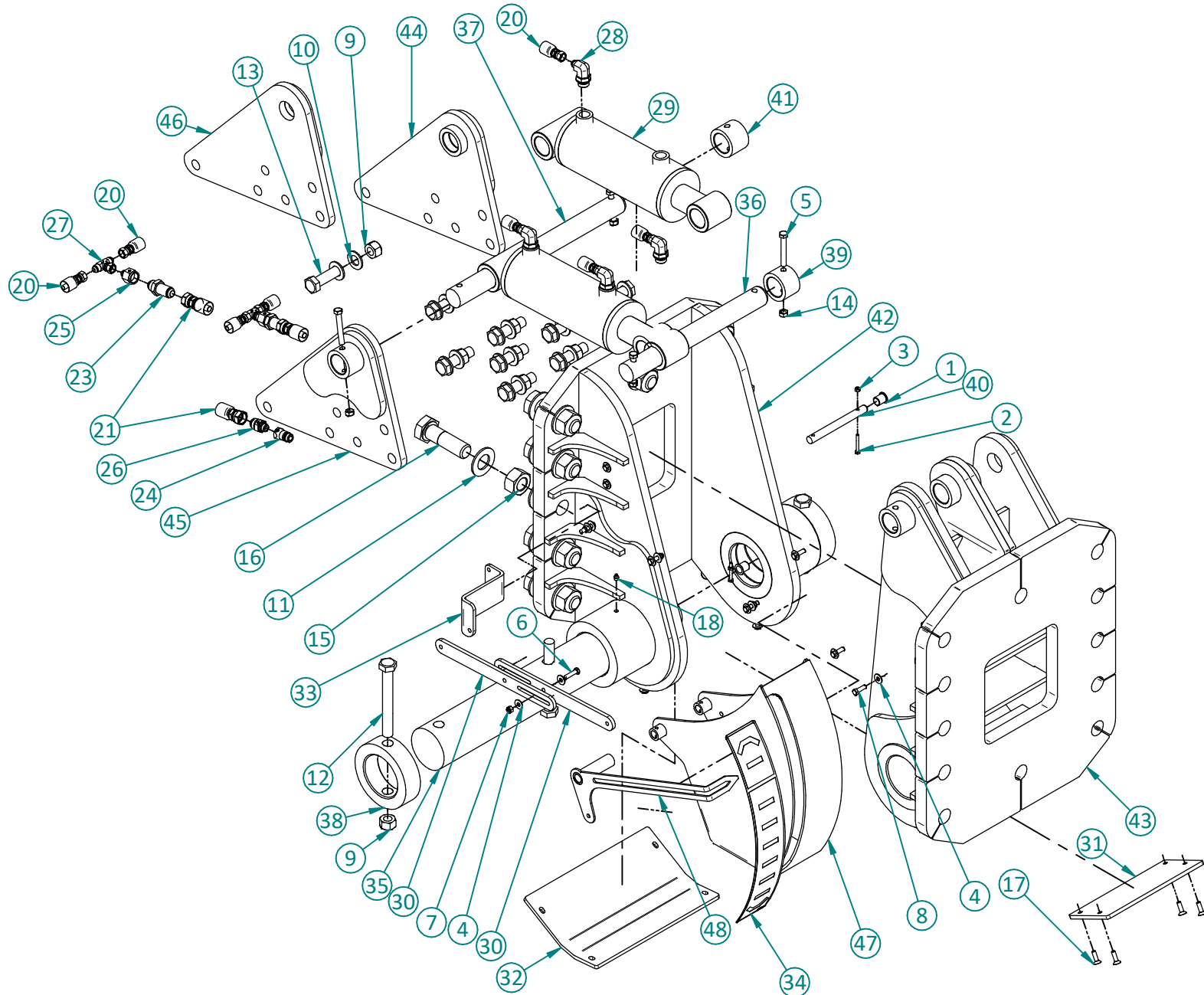


This page is intentionally left blank

3.180 / 3.220

TILT BLADE KIT

KIT500014



3.180 / 3.220

TILT BLADE KIT

KIT500014

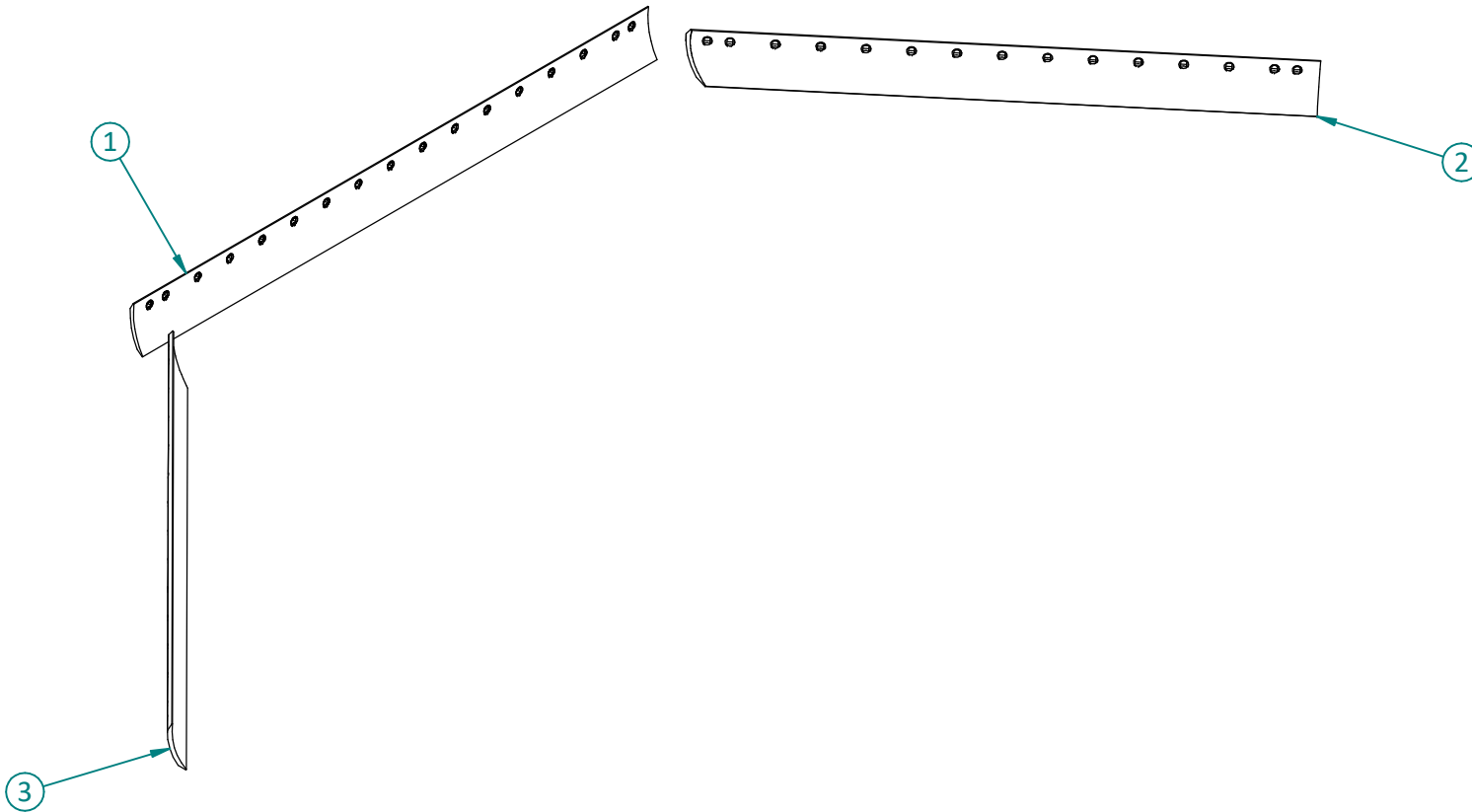
ITEM	PART NO.	DESCRIPTION	QTY	ITEM	PART NO.	DESCRIPTION	QTY
35	SAW500115	TILT PIVOT SHAFT	1	1	CMP400172	FLANGE BUSHING .750" X .875" X 1.000"	2
36	SAW500123	CYLINDER PIN	1	2	FST100132	1/4" X 2" BOLT	2
37	SAW500124	CYLINDER PIN	1	3	FST100135	1/4" LOCK NUT	2
38	SAW500125	TILT CYL PIN LOCK	2	4	FST100150	3/8" FLAT WASHER	17
39	SAW500129	CYL PIVOT BUSHING	1	5	FST100194	1/2" X 3 1/2" CAP SCREW	4
40	SAW500132	TILT IND SHAFT	1	6	FST100201	3/8" X 1 1/2" CAP SCREW	4
41	SAW500151	CYL PIVOT BUSHING REVERSIBLE	1	7	FST100206	3/8" LOCKNUT	4
42	WLD500064	BLADE TILT WELDMENT	1	8	FST100241	3/8" X 1 1/4" CAP SCREW	9
43	WLD500065	HITCH TILT WELDMENT	1	9	FST100245	1" LOCKNUT	14
44	WLD500070	CYL PIVOT MOUNT LH	1	10	FST100262	1" HARDENED WASHER F436	24
45	WLD500071	CYL PIVOT MOUNT RH	1	11	FST100313	1 1/2" HARDENED WASHER	26
46	WLD500072	CYL PIVOT MOUNT CENTER	1	12	FST100325	1" X 8" CAP SCREW	3
47	WLD500073	PITCH INDICATOR GUIDE	1	13	FST100337	1" X 3 1/2" CAP SCREW	12
48	WLD500074	PITCH INDICATOR	1	14	FST100356	1/2" CRIMP NUT	4
				15	FST100478	1 1/2-12 NF LOCK NUT	14
				16	FST100479	1 1/2" X 5" NF CAP SCREW GR8	12
				17	FST100907	3/8" X 1 1/4" FLAT HEAD CAP SCREW	4
				18	HYD-100266	GREASE ZERK 1/8" -27 PIPE (NPT)	2
				19*	HYD100143	HOSE HYDRAULIC 1/2"	1
				20	HYD100307	ST ADAPTER 08 CRIMP X 08 FJIC	8
				21	HYD100312	ST ADAPTER 10 CRIMP X 12 FJIC	4
				22*	HYD100318	HOSE HYDRAULIC 5/8"	1
				23	HYD100393	ST BULKHEAD 12 MJIC X 12 MJIC	2
				24	HYD100487	ST ADAPTER 08 MPNR X 08 FORB	2
				25	HYD100550	ST ADAPTER 12 FJIC X 08 MJIC	2
				26	HYD100625	ST ADAPTER 12 MJIC X 08 MORB	2
				27	HYD100683	ST TEE BRANCH 08 MJIC X 08 FJIC	2
				28	HYD100687	ST ELBOW 90 DEG 08 MJIC X 12 MORB	4
				29	HYD100945	CYL 5 X 8	2
				30	PCT500363	PITCH LINK PLATE	2
				31	PCT500367	PIVOT COVER FRONT	1
				32	PCT500368	PIVOT COVER REAR	1
				33	PCT500390	INDICATOR STAND-OFF	1
				34	SAF500020	TILT KIT DECAL	1

3.180

18' GRADER BLADE REGULAR

KIT500012

ITEM	PART NO.	DESCRIPTION	QTY
1	CMP500060	5/8" X 8" X 8' GRADER BLADE	1
2	SAW500121	LH WING BLADE	1
3	SAW500122	RH WING BLADE	1

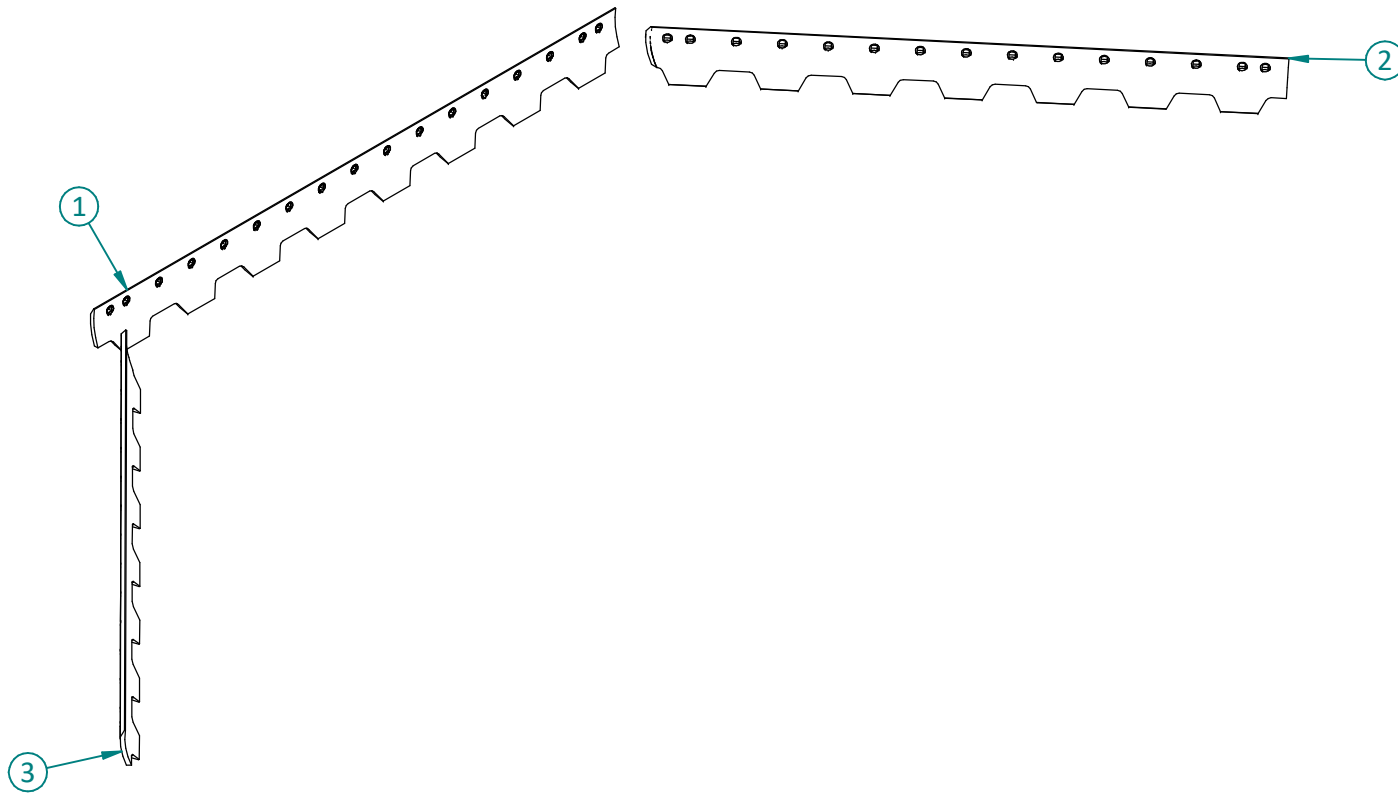


3.180

18' GRADER BLADE CLAY

KIT500015

ITEM	PART NO.	DESCRIPTION	QTY
1	CMP500081	5/8" X 8" X 8' SERRATED GRADER BLADE	1
2	SAW500135	LH WING BLADE SERRATED	1
3	SAW500138	RH WING BLADE SERRATED	1

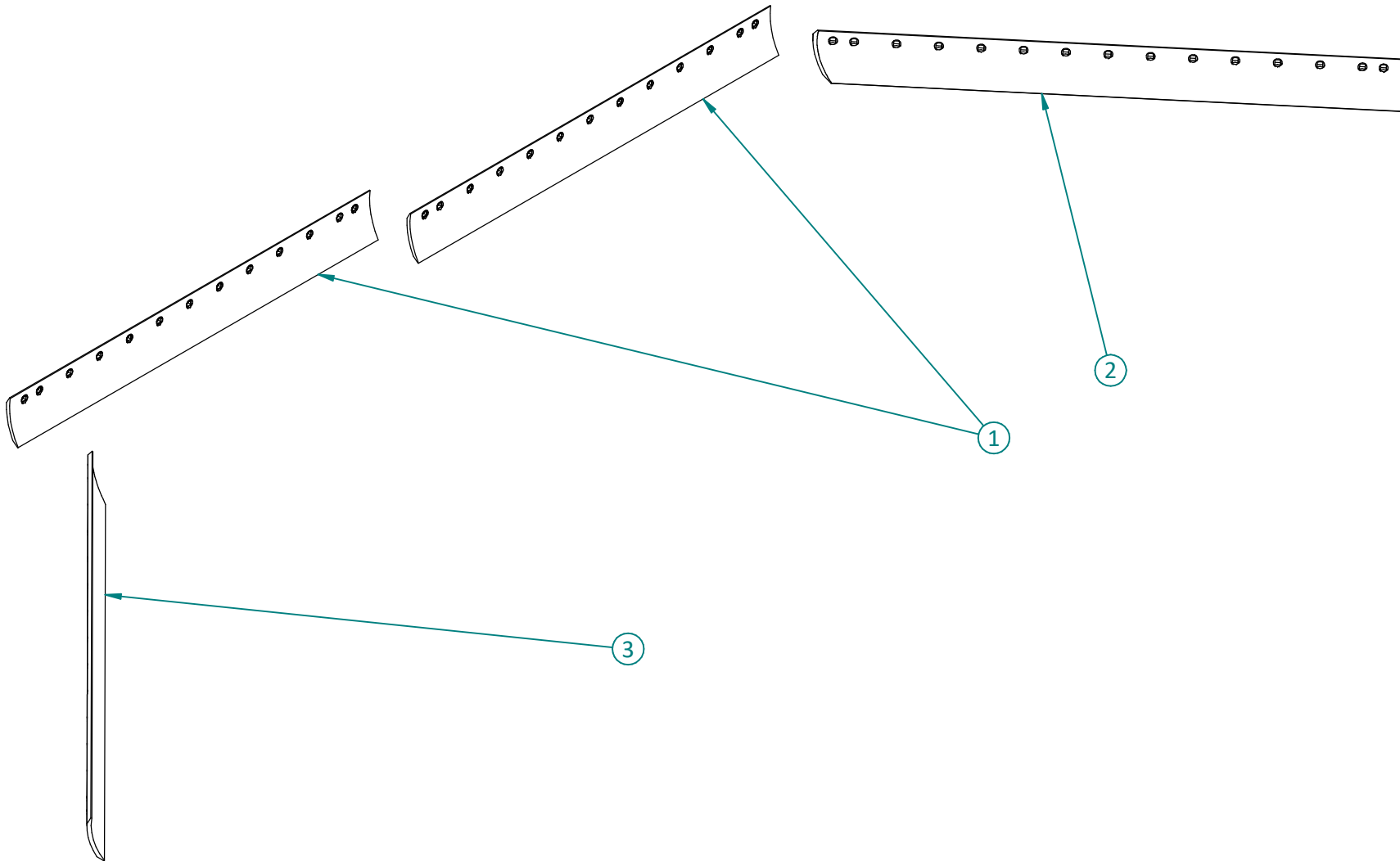


3.220

22' GRADER BLADE REGULAR

KIT500017

ITEM	PART NO.	DESCRIPTION	QTY
1	CMP500023	5/8" X 8" X 6' GRADER BLADE	2
2	SAW500121	LH WING BLADE	1
3	SAW500122	RH WING BLADE	1

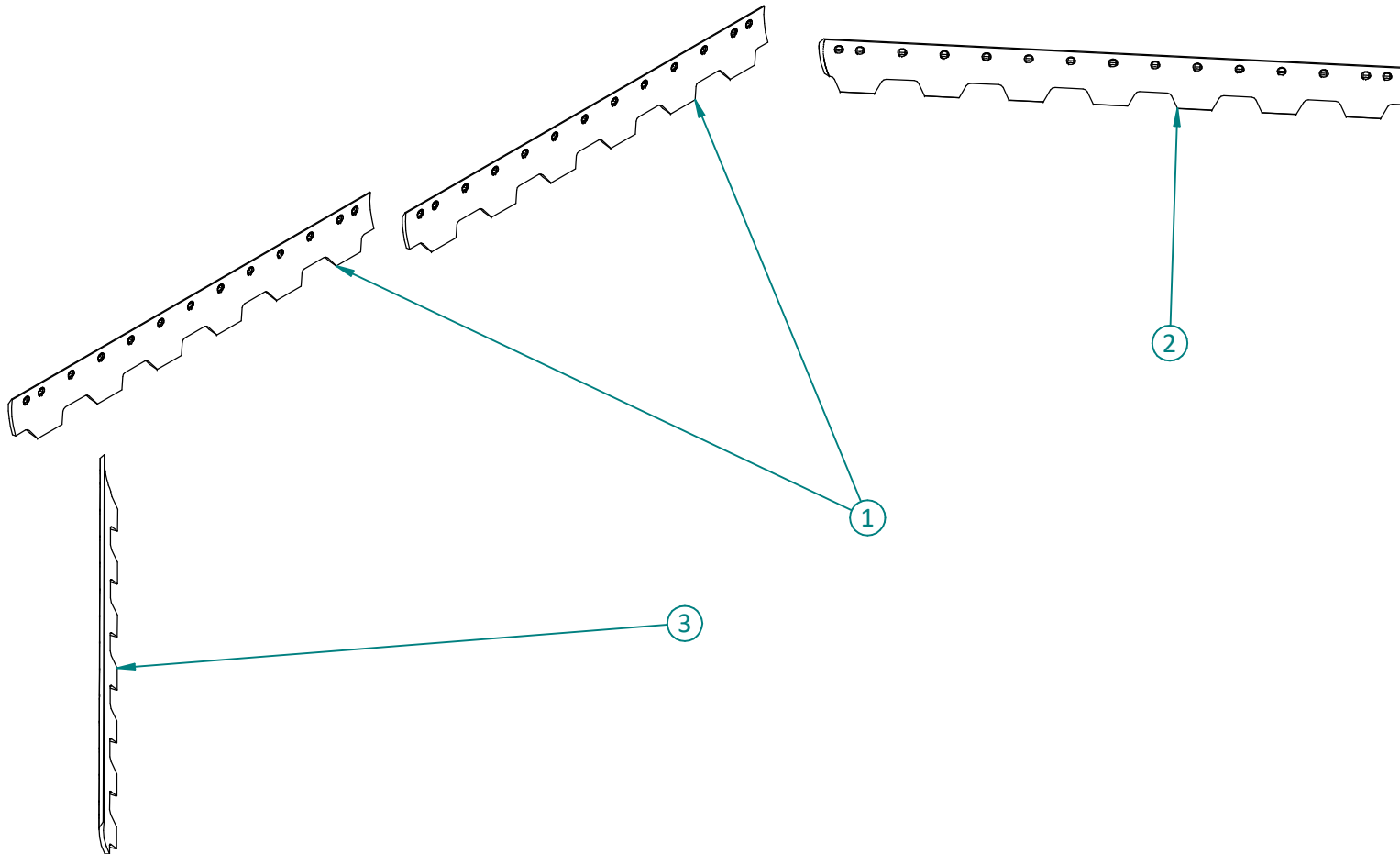


3.220

22' GRADER BLADE CLAY

KIT500018

ITEM	PART NO.	DESCRIPTION	QTY
1	CMP500072	5/8" X 8" X 6' SERRATED GRADER BLADE	2
2	SAW500135	LH WING BLADE SERRATED	1
3	SAW500138	RH WING BLADE SERRATED	1

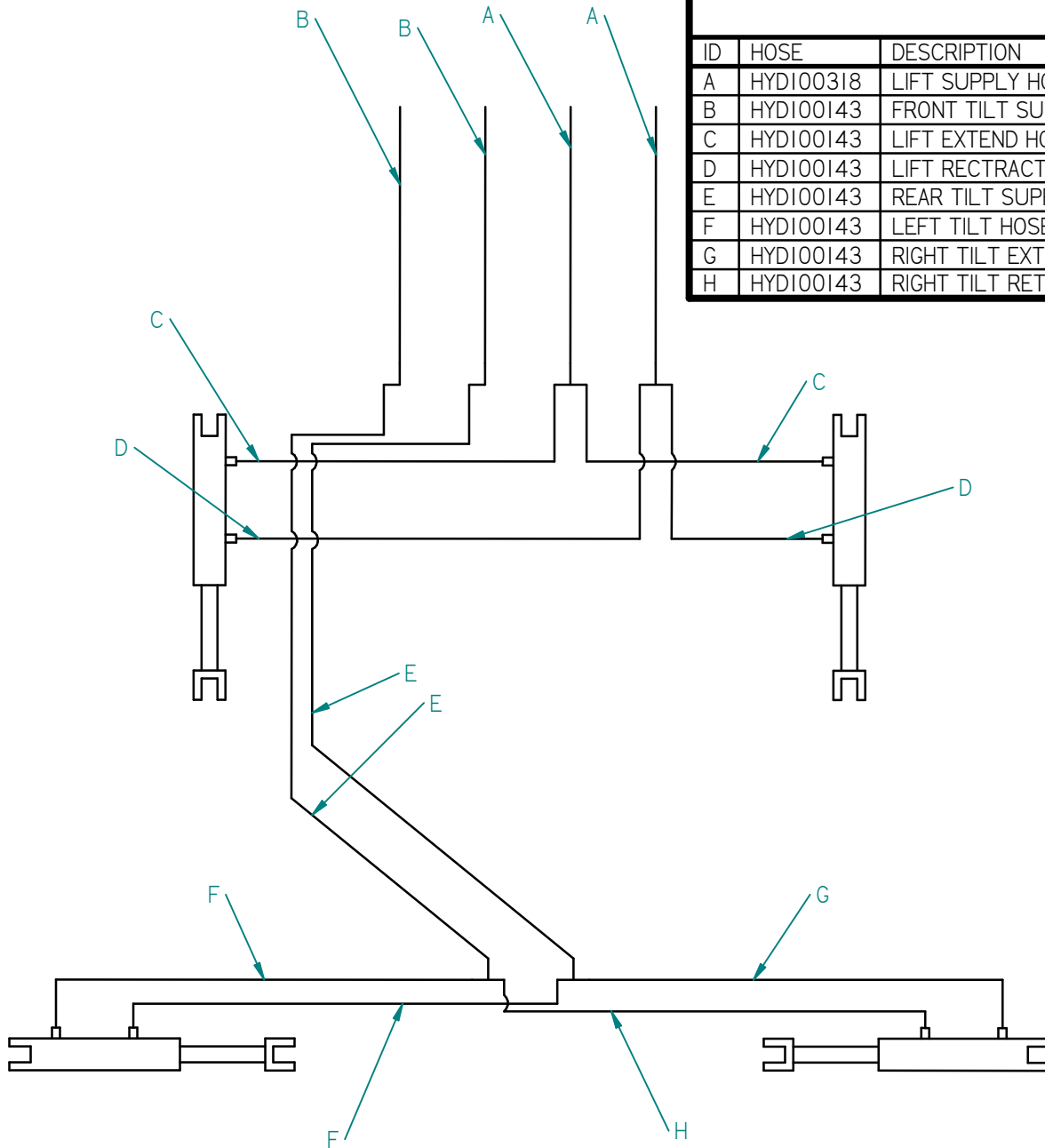


3.180 / 3.220

GLADIATOR

WHG500003, WHG500004

HYDRAULIC HOSE SCHEMATIC						
ID	HOSE	DESCRIPTION	END 1	END 2	QTY	HOSE LENGTH (IN)
A	HYDI00318	LIFT SUPPLY HOSE	HYDI00312	HYDI00312	2	318
B	HYDI00143	FRONT TILT SUPPLY HOSE	HYDI00307	HYDI00307	2	318
C	HYDI00143	LIFT EXTEND HOSE	HYDI00307	HYDI00320	2	100
D	HYDI00143	LIFT RETRACT HOSE	HYDI00307	HYDI00307	2	100
E	HYDI00143	REAR TILT SUPPLY HOSE	HYDI00309	HYDI00307	2	180
F	HYDI00143	LEFT TILT HOSE	HYDI00307	HYDI00307	2	55
G	HYDI00143	RIGHT TILT EXTEND HOSE	HYDI00307	HYDI00307	1	74
H	HYDI00143	RIGHT TILT RETRACT HOSE	HYDI00307	HYDI00307	1	65





PhiBer Manufacturing Inc.
Box 58 Crystal City, MB
Canada R0K 0N0