

GLADIATOR



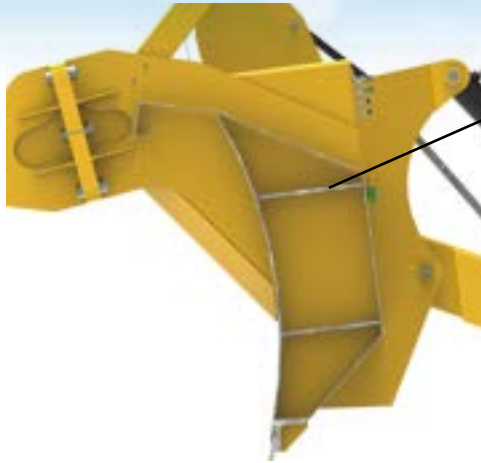
PHIBER

INNOVATIVE DESIGN • PARTNERS IN EFFICIENCY

GLADIATOR

Design

The Gladiator's design creates added strength and durability. The Gladiator boasts the deepest box section in the industry, protecting your investment.



The Gladiator's robust frame design is up to 75% stronger than competitive units.

Blade relief allows dirt to roll, reducing HP requirements.

A uniquely angled cutting edge reduces power hop.

Depth Indicator

Know your cutting or filling depth.

Large Grip Tires

The Gladiator comes standard with large grip tires to prevent sideways skidding while digging ditches.

Large Indicators

Each Gladiator comes with easy-to-see tilt, horizon and depth indicators.

Heaviest in its class

Strongest frame design

Large grip tires

Extra-high volume dirt capacity

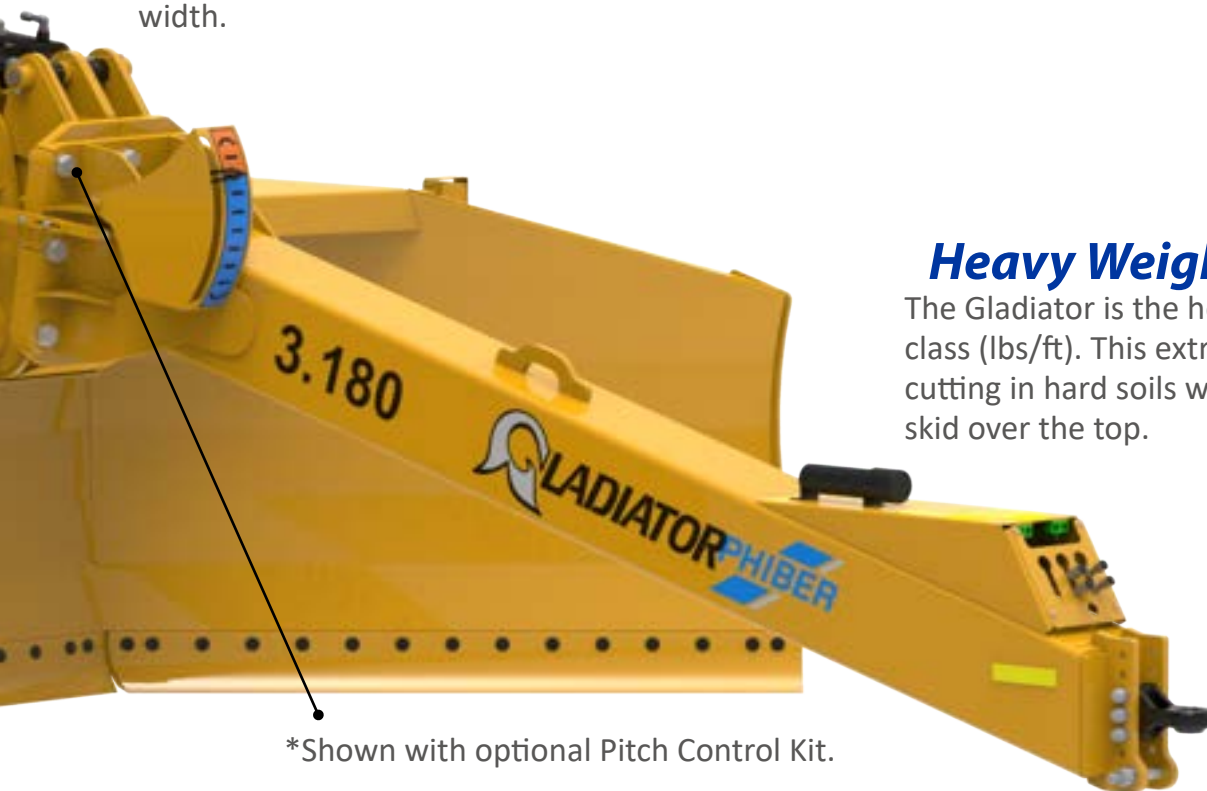
Tilt

The Gladiator can tilt one corner down 24" to allow for contouring and digging ditches.



Capacity

The Gladiator can move more dirt than competitive units. Thanks to its unique shape the Gladiator can move 10% more volume than most competitive blades of the same width.



*Shown with optional Pitch Control Kit.

Heavy Weight

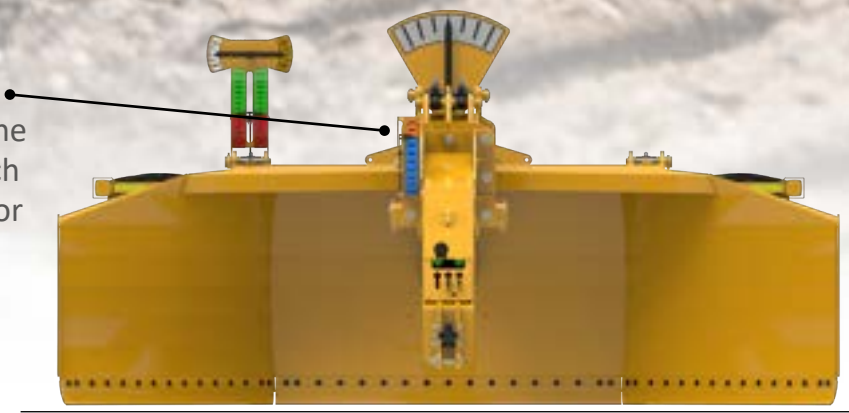
The Gladiator is the heaviest blade in its class (lbs/ft). This extra weight ensures cutting in hard soils where competitors skid over the top.

GLADIATOR Pitch Control Kit

Take authority over land loss by commanding more control during reclamation.

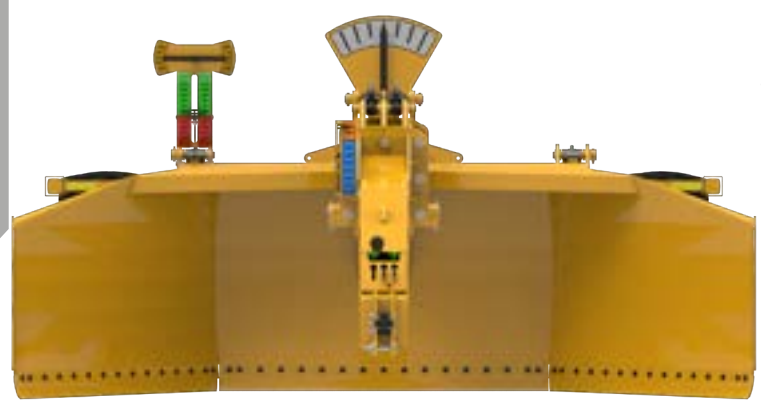
Large Indicator

A large indicator on the side of the hitch helps to determine the pitch of the blade, whether crowning or ditching.



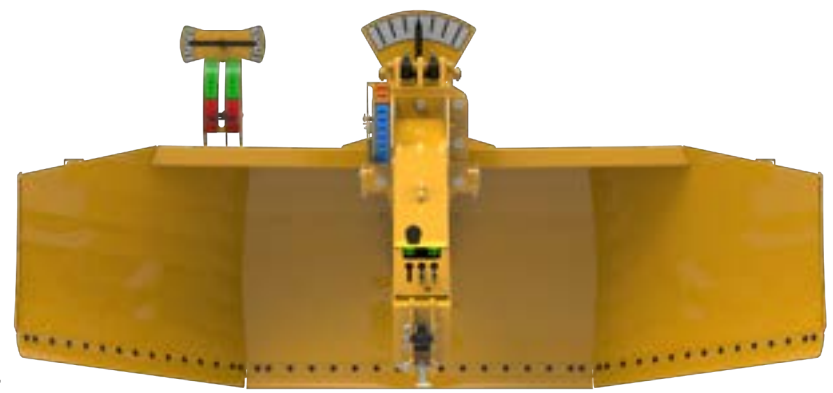
Crown Height

The Pitch Control Kit lends the user provision to crown 2.5" for use on roads or drives.



Ditch Depth

In addition to the crowning allowance, the Pitch Control Kit allows a 10.25" ditch depth for drainage in designated areas.

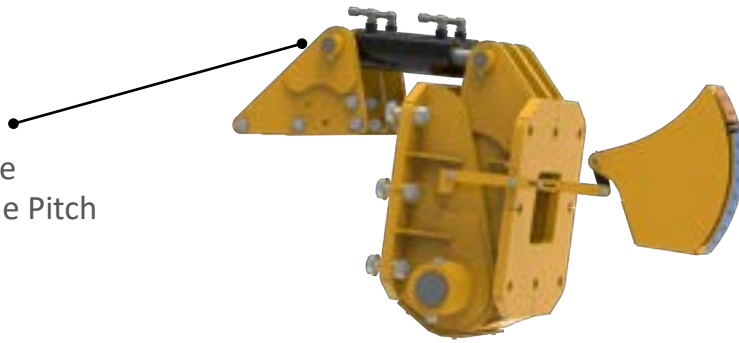


GLADIATOR Pitch Control Kit



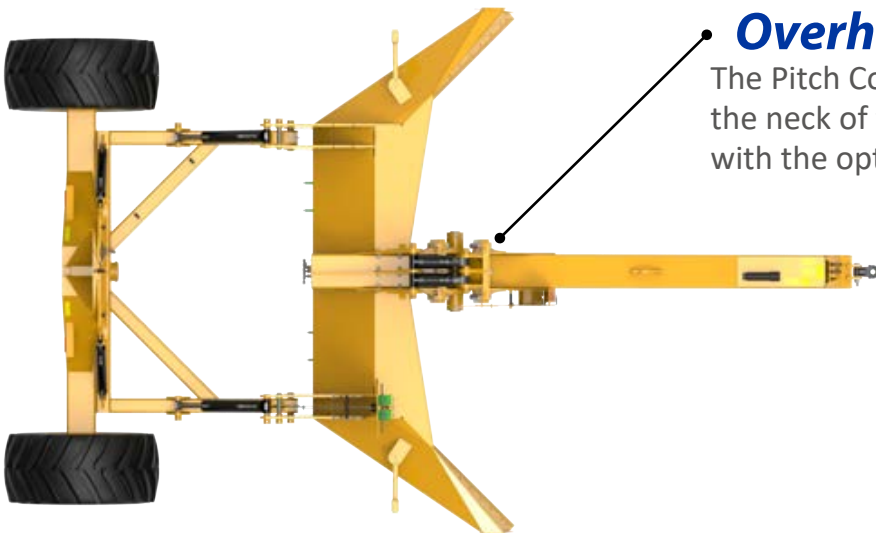
Optional Pitch Control

The optional pitch-control assembly can be added to any series-3 Gladiator.



Cross Section

Dual cylinders are the heart of the crown and ditch capabilities of the Pitch Control Kit.



Overhead

The Pitch Control Kit is seamlessly integrated into the neck of the Gladiator and is fully compatible with the optional GPS mount.

Available in 18 ft or 22 ft models, the Gladiator is sure to maximize profitability throughout every acre!

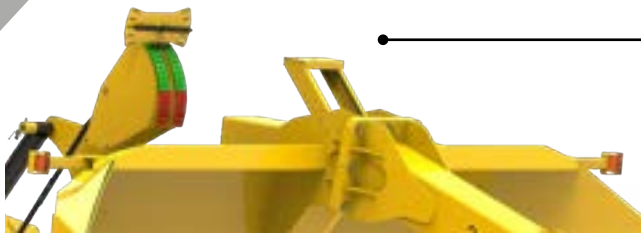
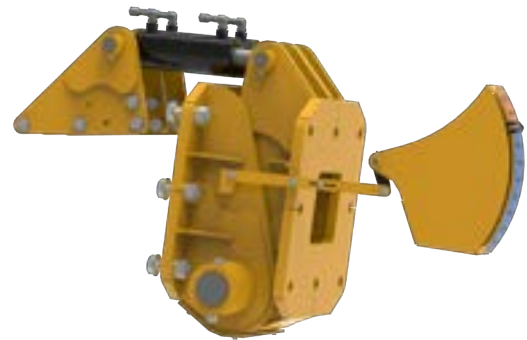


Category-4 or 5 Hitch

The Gladiator comes standard with a 2" category-4 hitch. A 2 $\frac{1}{16}$ " category-5 hitch is available as an option.

Pitch Control

Increase the Gladiator's versatility with the optional Pitch Control Kit.



GPS Mount

Attach a GPS receiver for precise tracking of blade location.

Serrated Cutting Edge

An optional serrated cutting edge can be added for use in heavy clay or hard soil conditions.



GLADIATOR



GLADIATOR Specs



Measurement		Model:		3.180.		3.220.	
Width	ft(cm)	18	548.64	22			
Length	ft(cm)	28.75	876.3	28.75	876.3		
Height	ft(cm)	10	304.8	10	304.8		
Weight	lb(kg)	21000	9525.4	23000	10432.6		
Specifications							
Roll Depth	in(cm)	24	60.98	24	60.98		
Dirt Volume	(cu/yds)	16-20		21-26			
Hydraulic Remotes*		2	(3*)	2	(3*)		
Rear Tail Lights and Flashers		Standard		Standard			
GPS Mount		Optional		Optional			
Cutting Edge		Standard		Standard			
Serrated Edge		Optional		Optional			
Pitch Control*	HYD remote	Optional		Optional			
Requirements							
Horsepower		250-450 hp		350-600 hp			
Tractor Hydraulics		2900 psi		2900 psi			



Canada:

108 New Hope Dr., Box 58
Crystal City, MB R0K 0N0

USA:

68 Main Street, Box 54
Sarles, ND 58372

Toll Free: 866.264.8030 **International:** 204.873.2448 www.PhiBer.ca

This literature has been compiled for worldwide circulation. PhiBer reserves the right to change specifications, design and price of products described in this literature without notice. Please inquire to our sales network for any further information. Printed in Canada. Issued 112022



INNOVATIVE DESIGN • PARTNERS IN EFFICIENCY